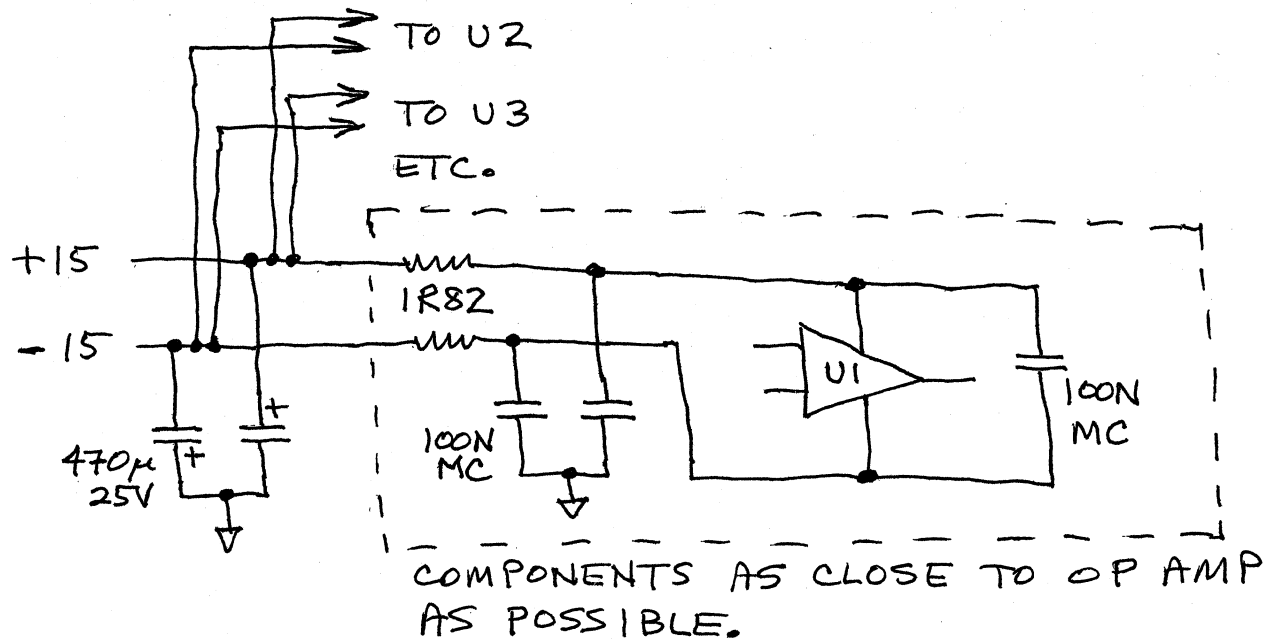
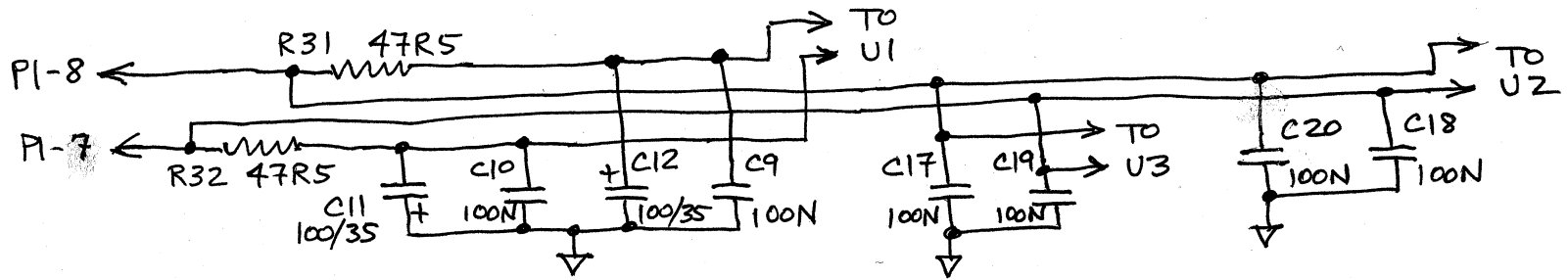
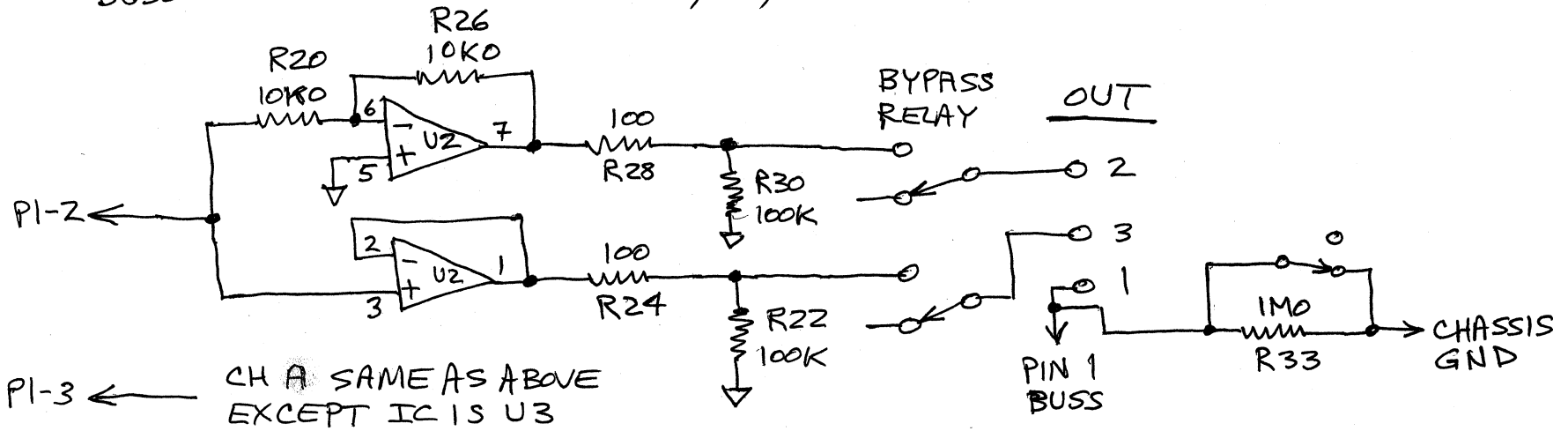
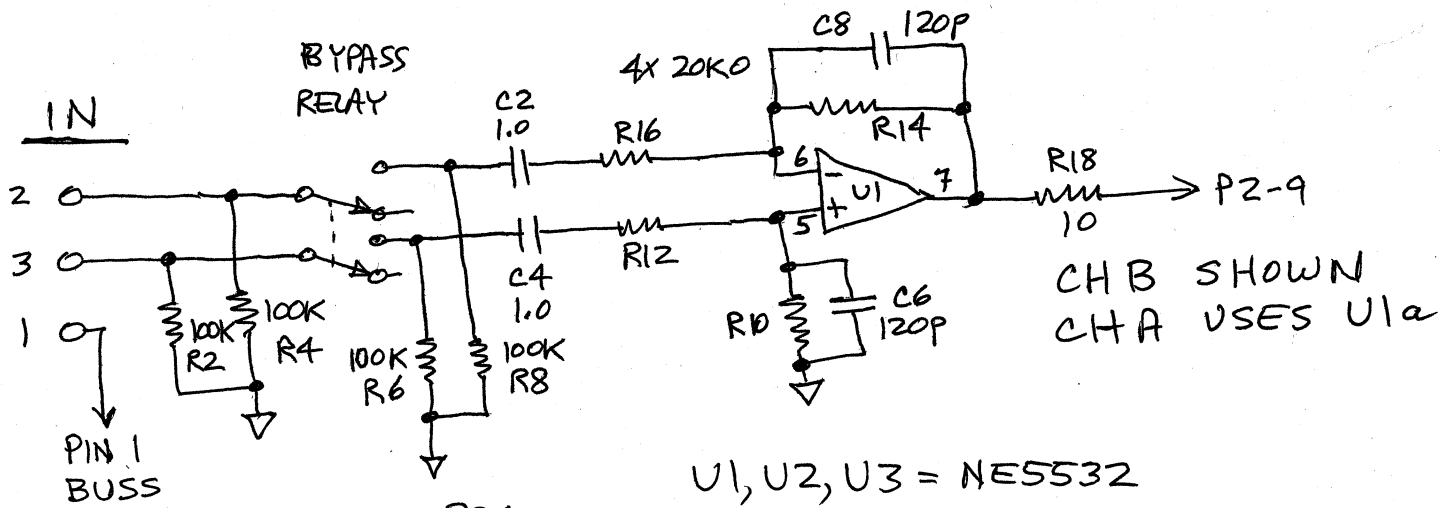


MEYER CP10 BLOCK DIAGRAM

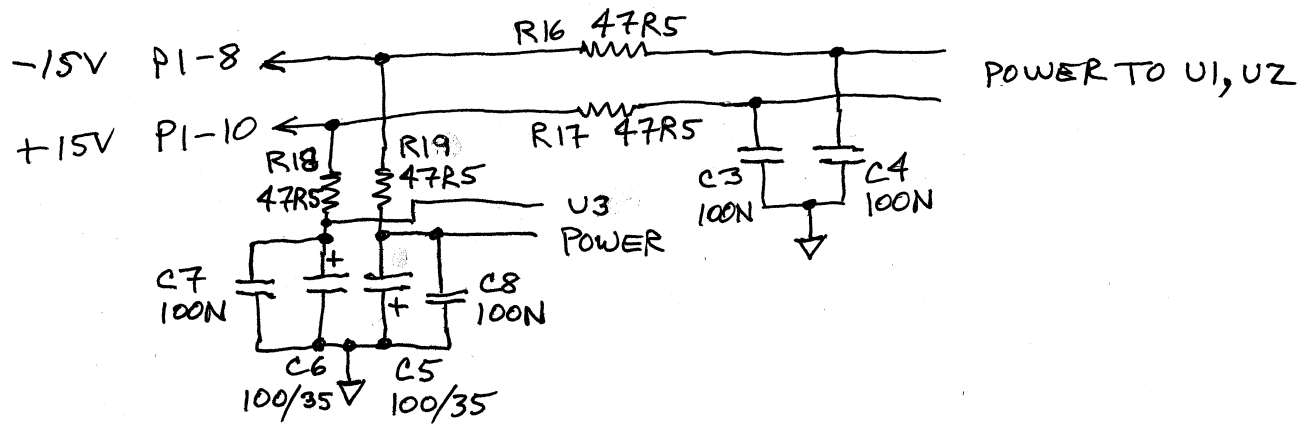
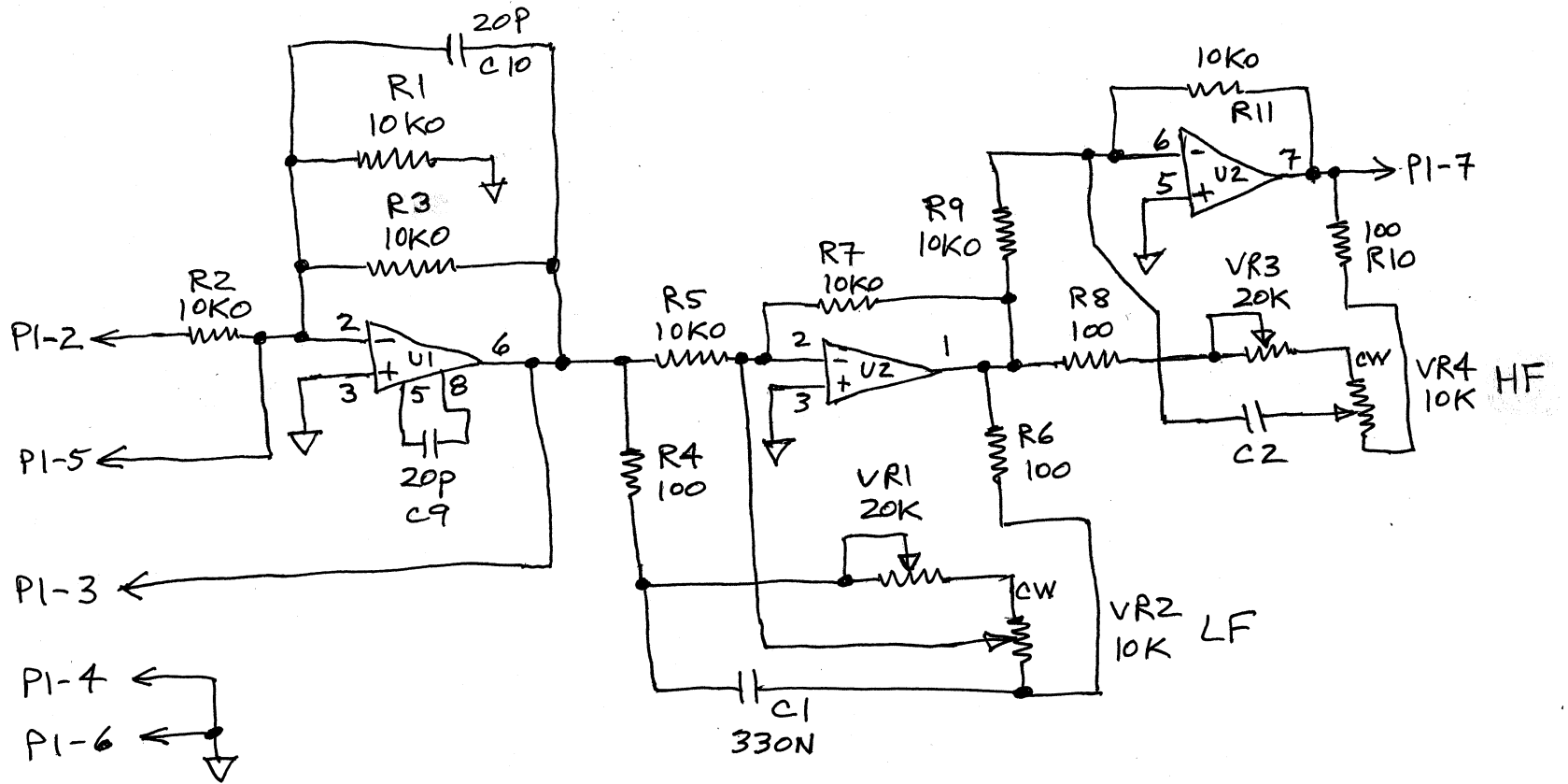


MEYER CP10 MODIFIED POWER DISTRIBUTION  
2023-01-06 JKC



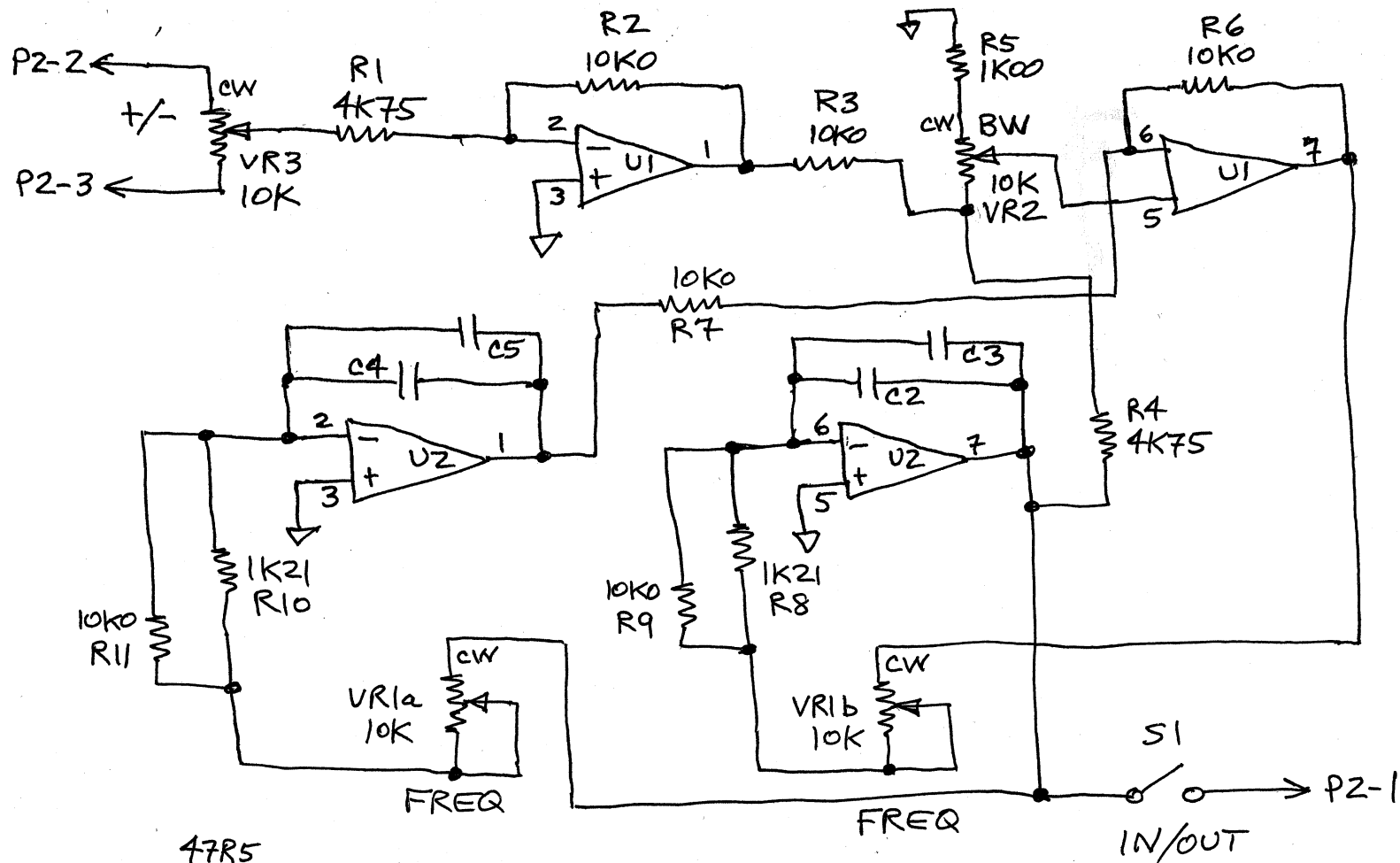
MEYER CP10 I/O BOARD

DRAWN BY JKC 2022-12-15

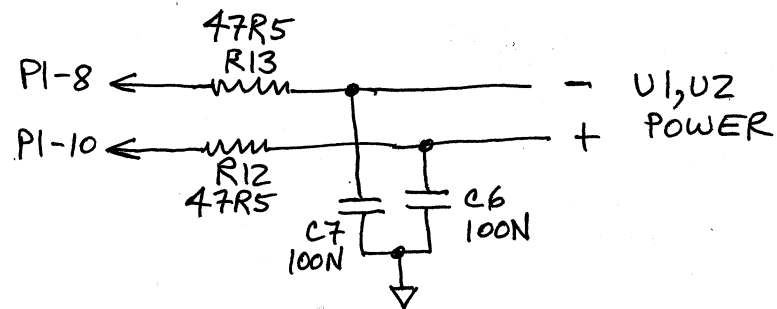


MEYER CPIO SHELF BOARD

2022-12-18 JKC



U1, U2 =  
NE5532



MEYER CP10 FILTER BOARD

2022-12-18 JKC