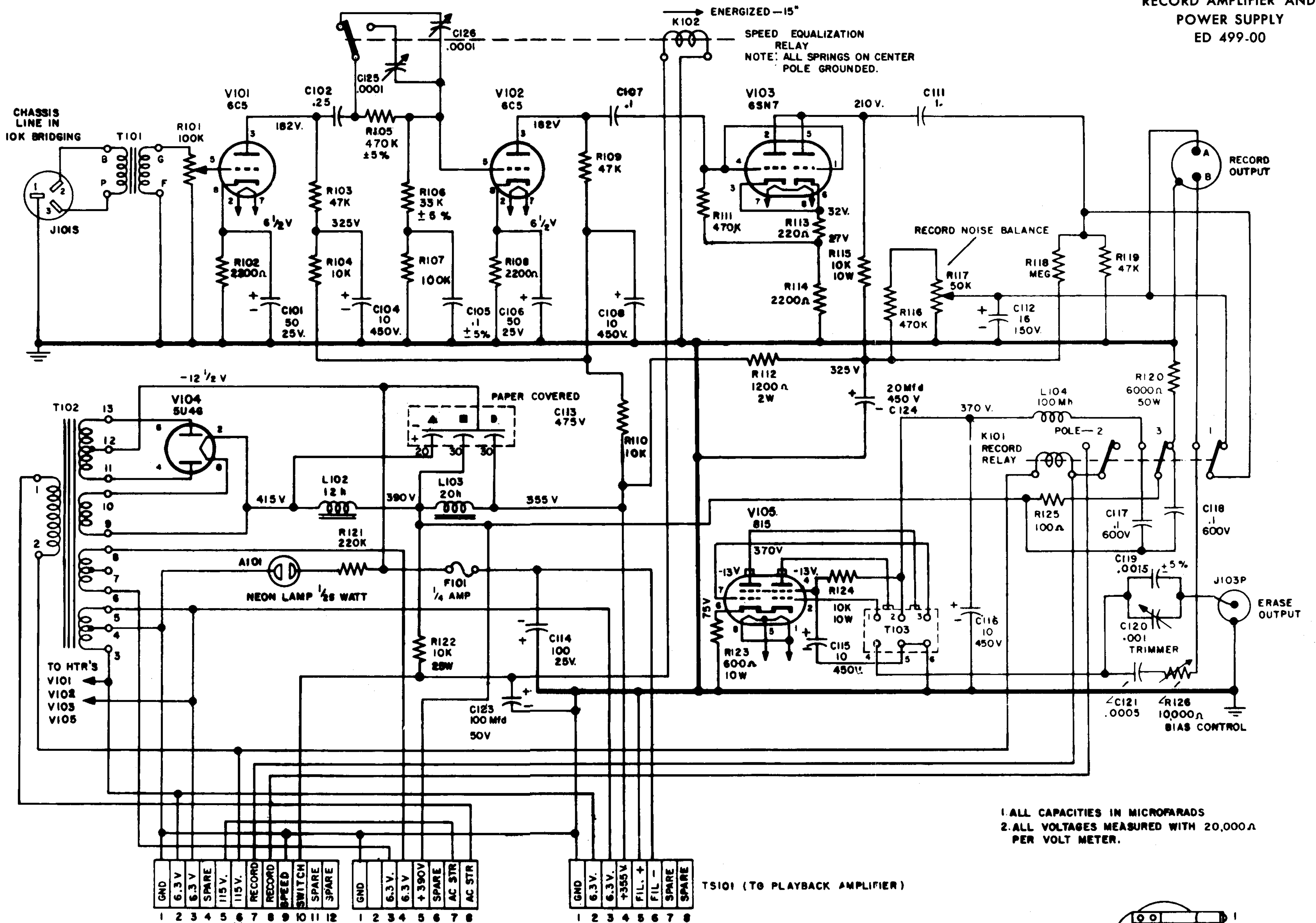
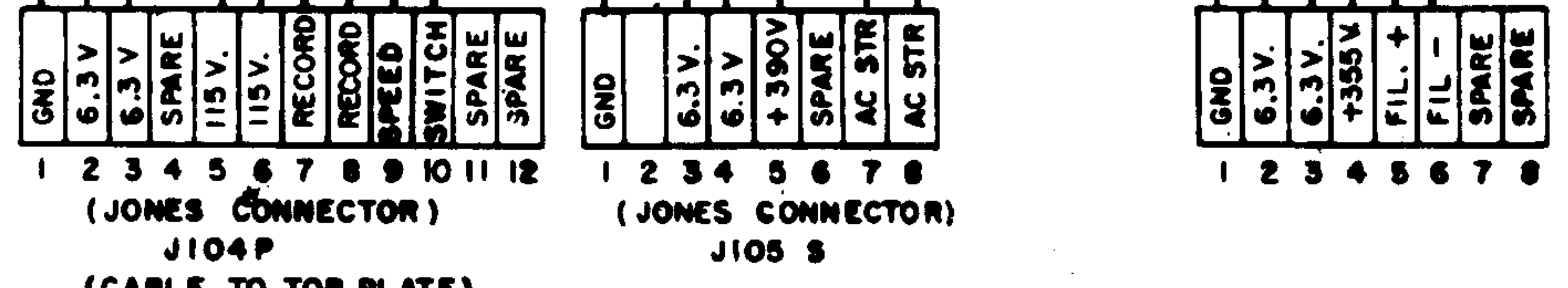


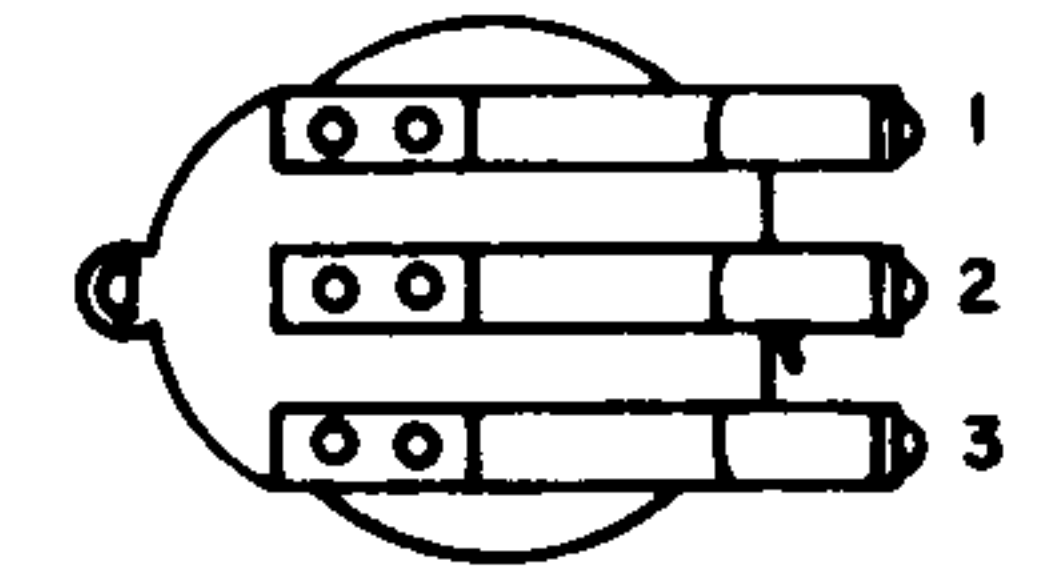
**SCHEMATIC DIAGRAM
ELECTRONIC ASSEMBLY
RECORD AMPLIFIER AND
POWER SUPPLY
ED 499-00**



1. ALL CAPACITIES IN MICROFARADS
2. ALL VOLTAGES MEASURED WITH 20,000Ω
PER VOLT METER.



PLUG A-567 (WITH 1
JUMPED TO 2 & 7
JUMPED TO 8) MUST
BE INSERTED IN ABSENCE
OF MIXER PRE-AMP CABLE



RECORD RELAY POLE REFERENCE
K101
VIEWED FROM BOTTOM OF CHASSIS

TS101 (TO PLAYBACK AMPLIFIER)