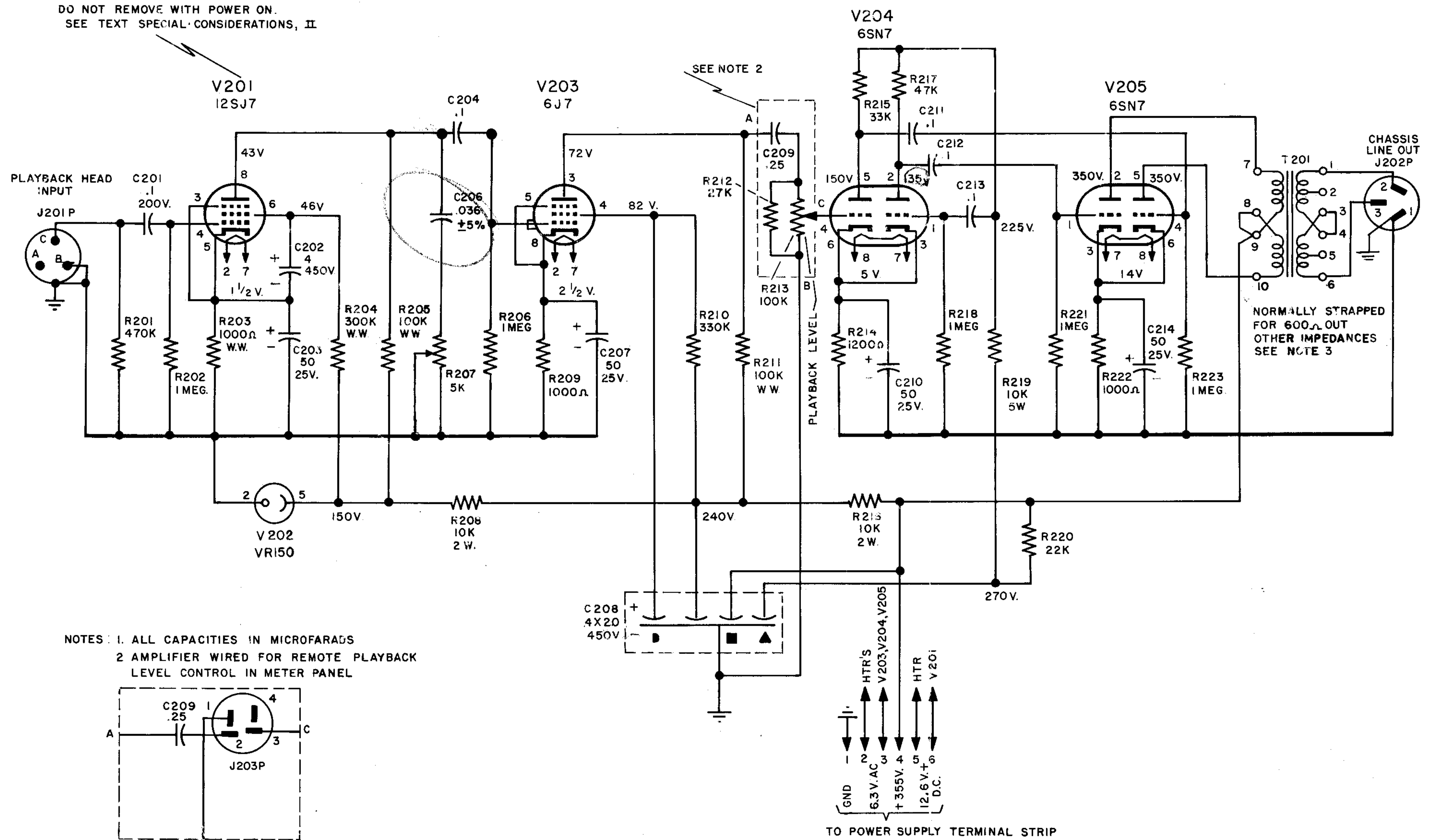
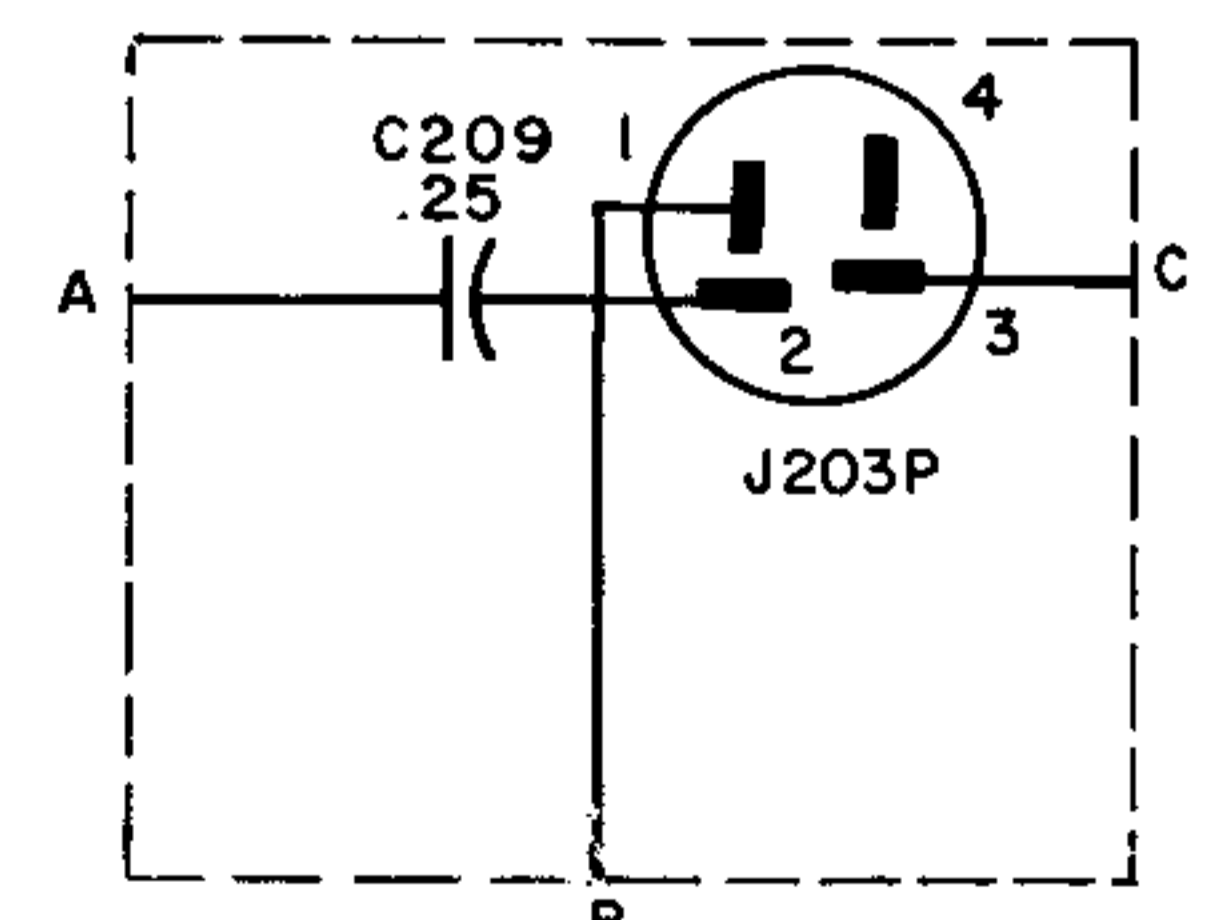


**SCHEMATIC DIAGRAM
ELECTRONIC ASSEMBLY
REPRODUCE|AMPLIFIER AND
BIAS AND ERASE OSCILLATOR
ED 498-00**



NOTES: 1. ALL CAPACITIES IN MICROFARADS
2. AMPLIFIER WIRED FOR REMOTE PLAYBACK
LEVEL CONTROL IN METER PANEL



3. 600 OHMS CONNECT TO 1 & 6, JOIN 3 TO 4
- 333 OHMS CONNECT TO 1 & 5, JOIN 3 TO 4
- 250 OHMS CONNECT TO 1 & 6, JOIN 2 TO 3 (APPROX)
- 200 OHMS CONNECT TO 2 & 5, JOIN 3 TO 4
- 125 OHMS CONNECT TO 1 & 4, JOIN 1 TO 3 & 4 TO 6
- 50 OHMS CONNECT TO 2 & 4, JOIN 2 TO 3 & 4 TO 5