

FIG. 6

**RECORD AMPLIFIER & POWER SUPPLY
MODEL 300**
AMPEX ELECTRIC CORPORATION
REDWOOD CITY, CALIFORNIA

SPARE	1
SPARE	2
SPARE	3
SPARE	4
SPARE	5
SPARE	6
SPARE	7
SPARE	8
SPARE	9
SPARE	10
SPARE	11
SPARE	12
SPARE	13
SPARE	14
SPARE	15
SPARE	16
SPARE	17
SPARE	18
SPARE	19
SPARE	20
SPARE	21
SPARE	22
SPARE	23
SPARE	24
SPARE	25
SPARE	26
SPARE	27
SPARE	28
SPARE	29
SPARE	30
SPARE	31
SPARE	32
SPARE	33
SPARE	34
SPARE	35
SPARE	36
SPARE	37
SPARE	38
SPARE	39
SPARE	40
SPARE	41
SPARE	42
SPARE	43
SPARE	44
SPARE	45
SPARE	46
SPARE	47
SPARE	48
SPARE	49
SPARE	50
SPARE	51
SPARE	52
SPARE	53
SPARE	54
SPARE	55
SPARE	56
SPARE	57
SPARE	58
SPARE	59
SPARE	60

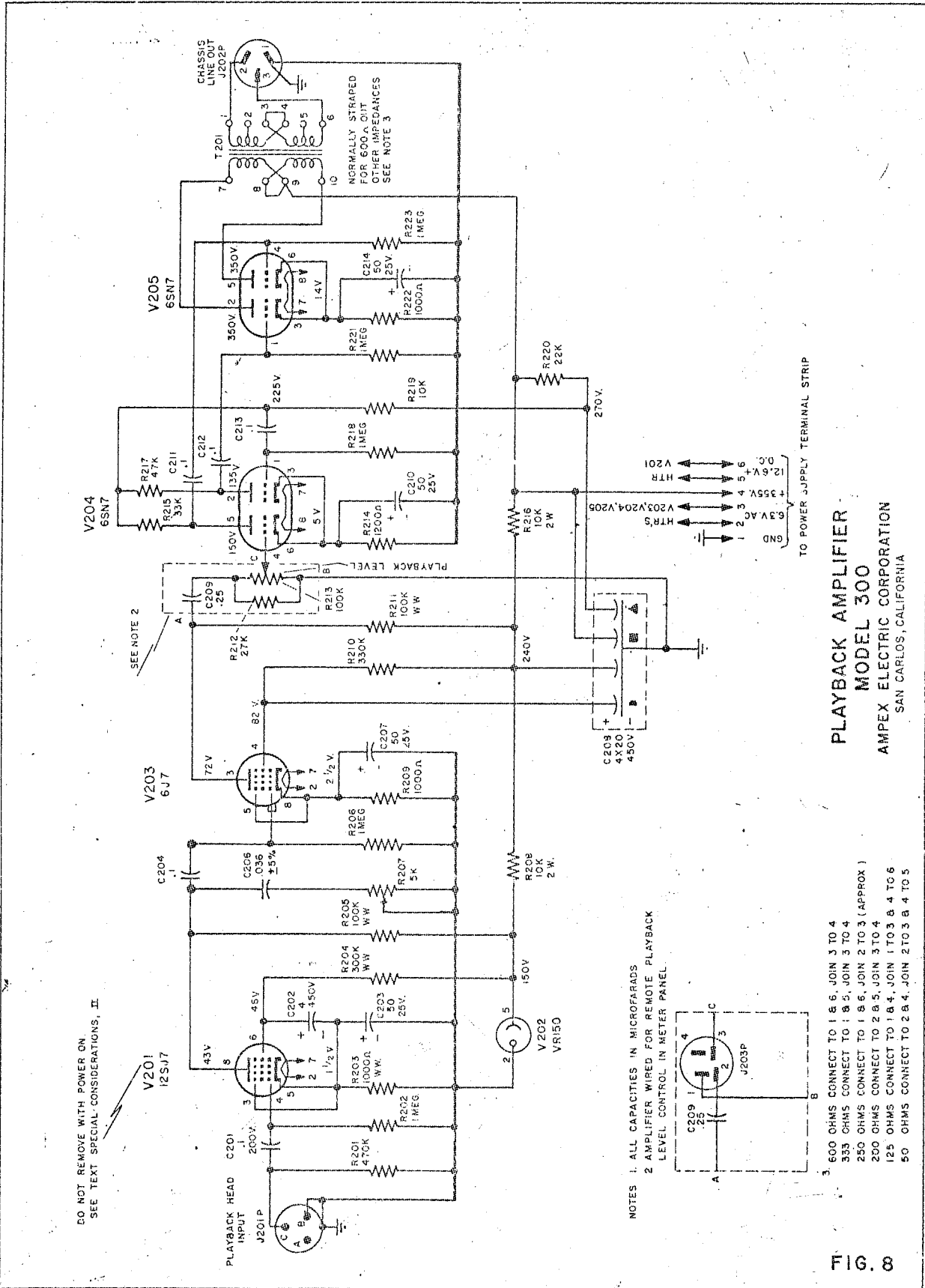
AC STR	1
AC STR	2
SPARE	3
SPARE	4
SPARE	5
SPARE	6
SPARE	7
SPARE	8
SPARE	9
SPARE	10
SPARE	11
SPARE	12
SPARE	13
SPARE	14
SPARE	15
SPARE	16
SPARE	17
SPARE	18
SPARE	19
SPARE	20
SPARE	21
SPARE	22
SPARE	23
SPARE	24
SPARE	25
SPARE	26
SPARE	27
SPARE	28
SPARE	29
SPARE	30
SPARE	31
SPARE	32
SPARE	33
SPARE	34
SPARE	35
SPARE	36
SPARE	37
SPARE	38
SPARE	39
SPARE	40
SPARE	41
SPARE	42
SPARE	43
SPARE	44
SPARE	45
SPARE	46
SPARE	47
SPARE	48
SPARE	49
SPARE	50
SPARE	51
SPARE	52
SPARE	53
SPARE	54
SPARE	55
SPARE	56
SPARE	57
SPARE	58
SPARE	59
SPARE	60

AC STR	1
AC STR	2
SPARE	3
SPARE	4
SPARE	5
SPARE	6
SPARE	7
SPARE	8
SPARE	9
SPARE	10
SPARE	11
SPARE	12
SPARE	13
SPARE	14
SPARE	15
SPARE	16
SPARE	17
SPARE	18
SPARE	19
SPARE	20
SPARE	21
SPARE	22
SPARE	23
SPARE	24
SPARE	25
SPARE	26
SPARE	27
SPARE	28
SPARE	29
SPARE	30
SPARE	31
SPARE	32
SPARE	33
SPARE	34
SPARE	35
SPARE	36
SPARE	37
SPARE	38
SPARE	39
SPARE	40
SPARE	41
SPARE	42
SPARE	43
SPARE	44
SPARE	45
SPARE	46
SPARE	47
SPARE	48
SPARE	49
SPARE	50
SPARE	51
SPARE	52
SPARE	53
SPARE	54
SPARE	55
SPARE	56
SPARE	57
SPARE	58
SPARE	59
SPARE	60

PLUS A-55T (WITH I)
JUMPERED TO 2 & 7
BE INSERTED IN ABSENCE
OF MIXER PRE-AMP CABLE

(CABLE TO TOP PLATE)
J104P
(JONES CONNECTOR)

J105 S
(JONES CONNECTOR)



DO NOT REMOVE WITH POWER ON.
SEE TEXT SPECIAL CONSIDERATIONS, II.

V201
12SJ7

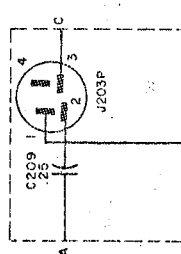
V203
6J7

V205
6SN7

V204
6SN7

SEE NOTE 2

- NOTES
1. ALL CAPACITIES IN MICROFARADS
 2. AMPLIFIER WIRED FOR REMOTE PLAYBACK LEVEL CONTROL IN METER PANEL



3. 600 OHMS CONNECT TO 1 & 6, JOIN 3 TO 4
- 555 OHMS CONNECT TO 1 & 5, JOIN 3 TO 4
- 250 OHMS CONNECT TO 1 & 6, JOIN 2 TO 3 (APPROX)
- 200 OHMS CONNECT TO 2 & 5, JOIN 3 TO 4
- 125 OHMS CONNECT TO 1 & 4, JOIN 1 TO 3 & 4 TO 6
- 50 OHMS CONNECT TO 2 & 4, JOIN 2 TO 3 & 4 TO 5

PLAYBACK AMPLIFIER
MODEL 300
AMPEX ELECTRIC CORPORATION
SAN CARLOS, CALIFORNIA

FIG. 8