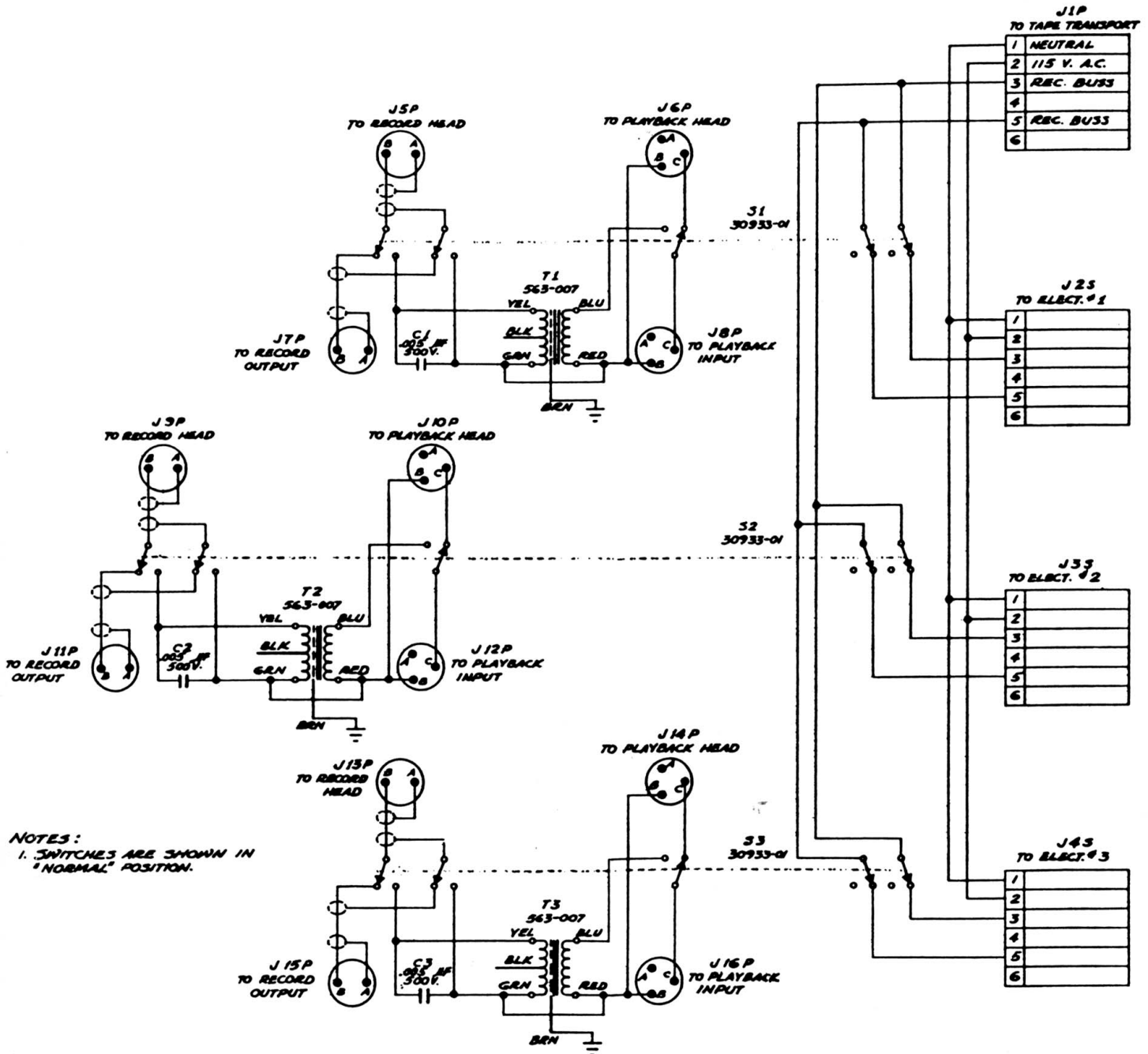
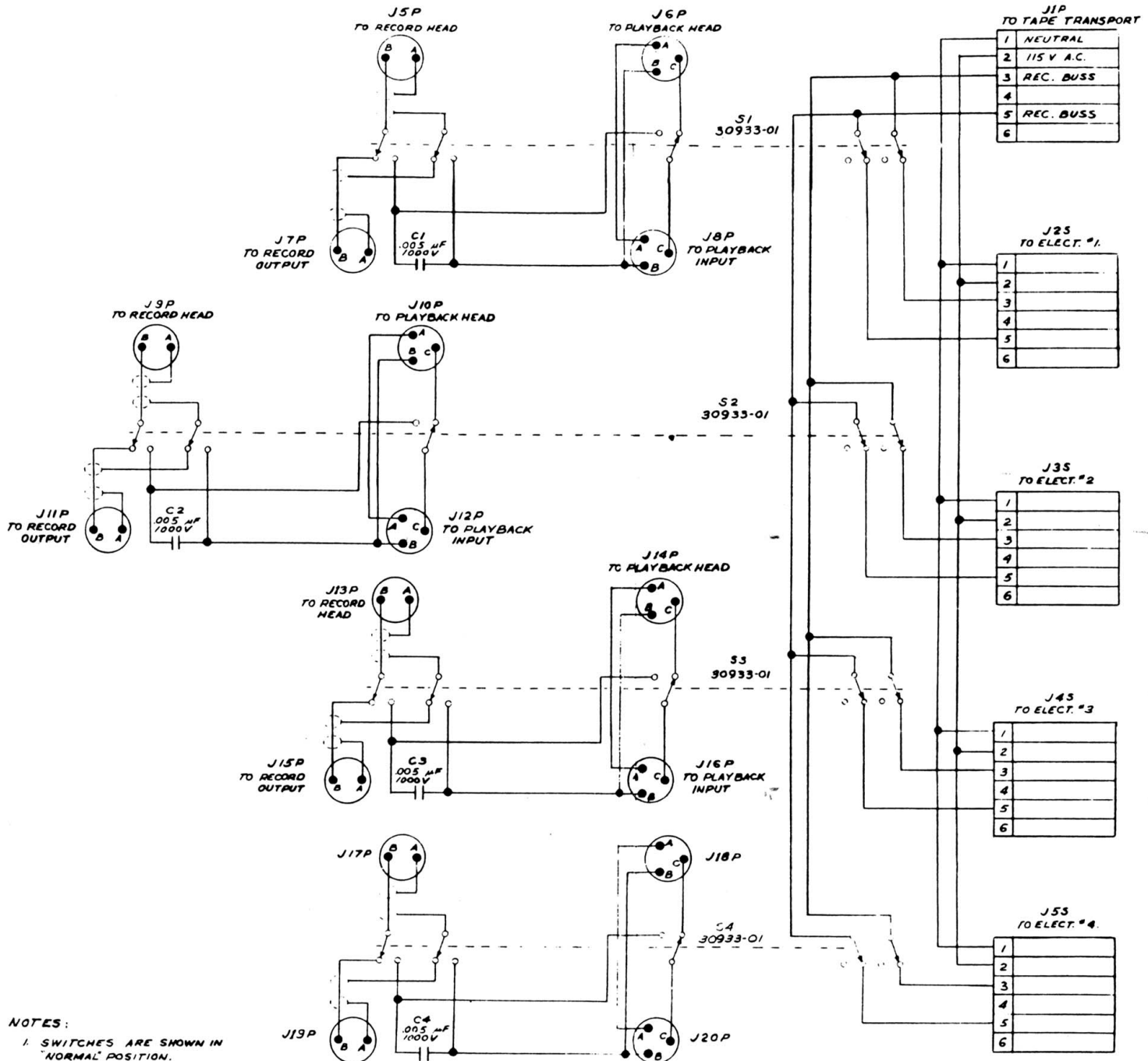


SCHEMATIC DIAGRAM
3 CHANNEL SEL-SYNC

30691B



SCHEMATIC DIAGRAM
4 CHANNEL SEL-SYNC
LOW IMPEDANCE HEAD
31009A



NOTES:
1. SWITCHES ARE SHOWN IN
"NORMAL" POSITION.