

Section 6

THE METER PANEL ASSEMBLY

GENERAL

Meter Panel Assembly 515-02 provides several necessary controls for operation with the 559 electronics assembly. Appearing on the front of this panel from left to right are -- RECORD LEVEL, MONITOR (IN and OUT), CUE LINE OUTPUT, OUTPUT LEVEL, and VERNIER controls. Located in the center of this panel is a vu meter which permits readings of output levels in the record or reproduce modes of operation. Phone jack J1101 allows headphone monitoring of either the output or input signal, depending on the position of MONITOR switch S1101.

CUE LINE OUTPUT

When CUE LINE OUTPUT switch S1102 is in the CUE position and MONITOR switch S1101 in the OUT position:

1. Prerecorded tape, when being reproduced, may be monitored through PHONE jack (J1101), and reproduce level is read at vu meter M1101.
2. Resistor R1103 (560 ohms) is across the output to provide proper termination.

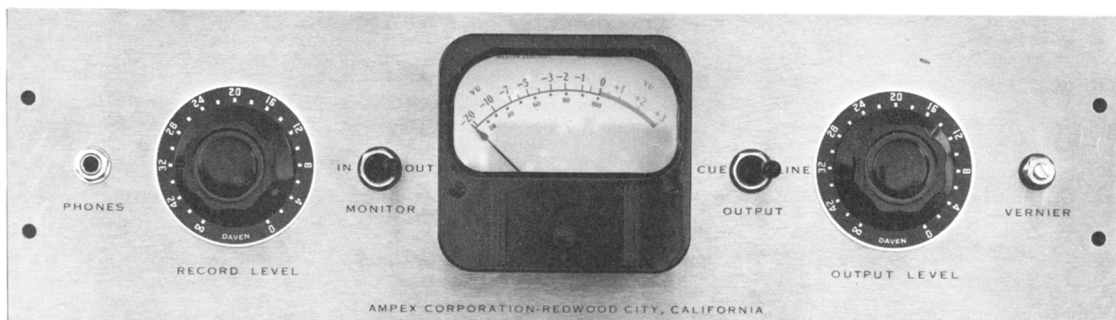


Fig. 6-1 METER PANEL ASSEMBLY, FRONT VIEW

There is no signal fed to LINE terminals.

(R1101) is a means for setting the recording level.

NOTE

This control provides a means for setting levels and tape positioning.

OUTPUT LEVEL

The OUTPUT LEVEL control (R1102) is a means for setting the output level in the reproduce amplifier.

MONITOR SWITCH

This switch allows the PHONE jack (J1101) and monitor terminal to be placed across the input or output of the system.

VERNIER

Variable resistor R213 provides a means for adjusting the meter to read the proper level with a given attenuator setting.

RECORD INPUT

The RECORD INPUT level control

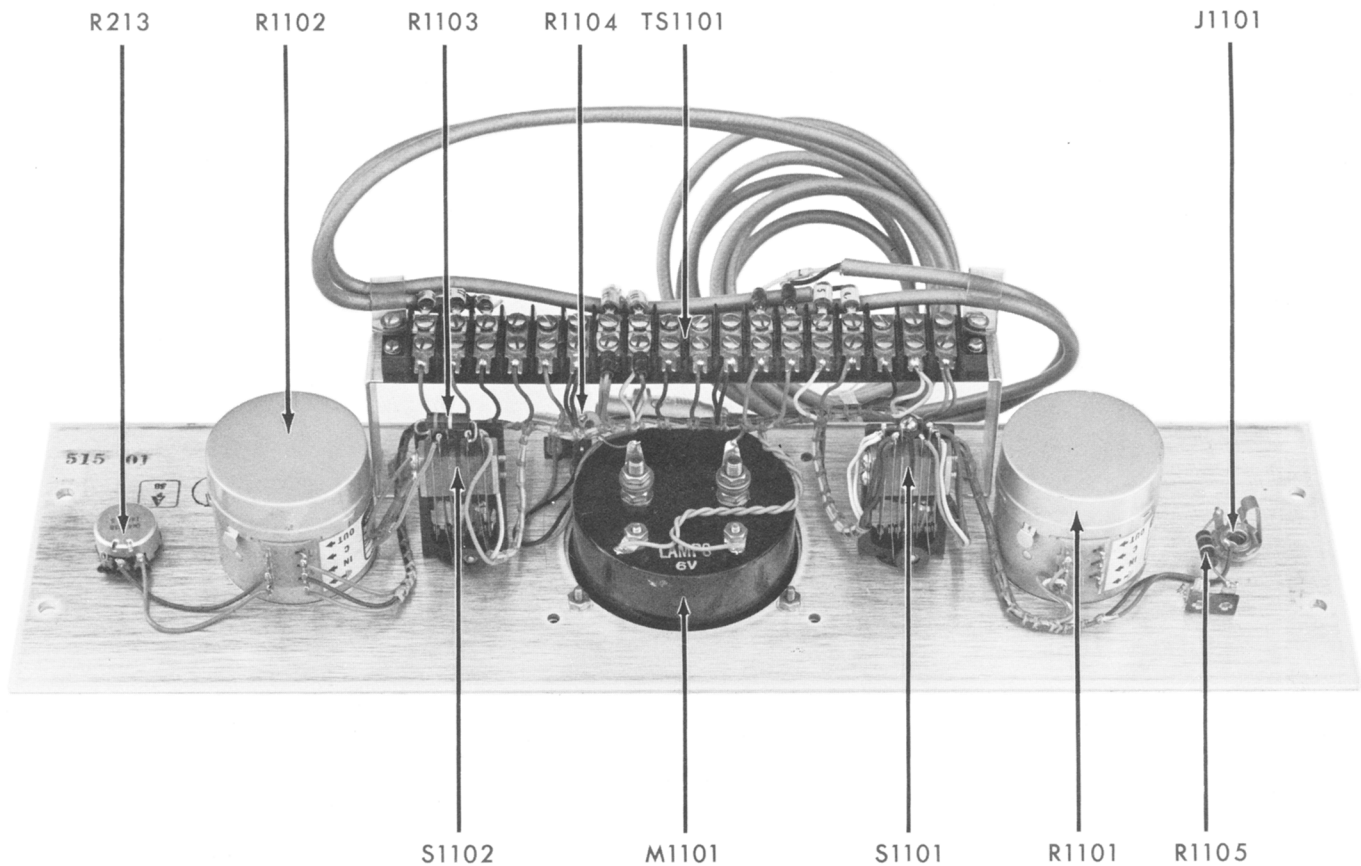


Fig. 6-2 METER PANEL ASSEMBLY, REAR VIEW

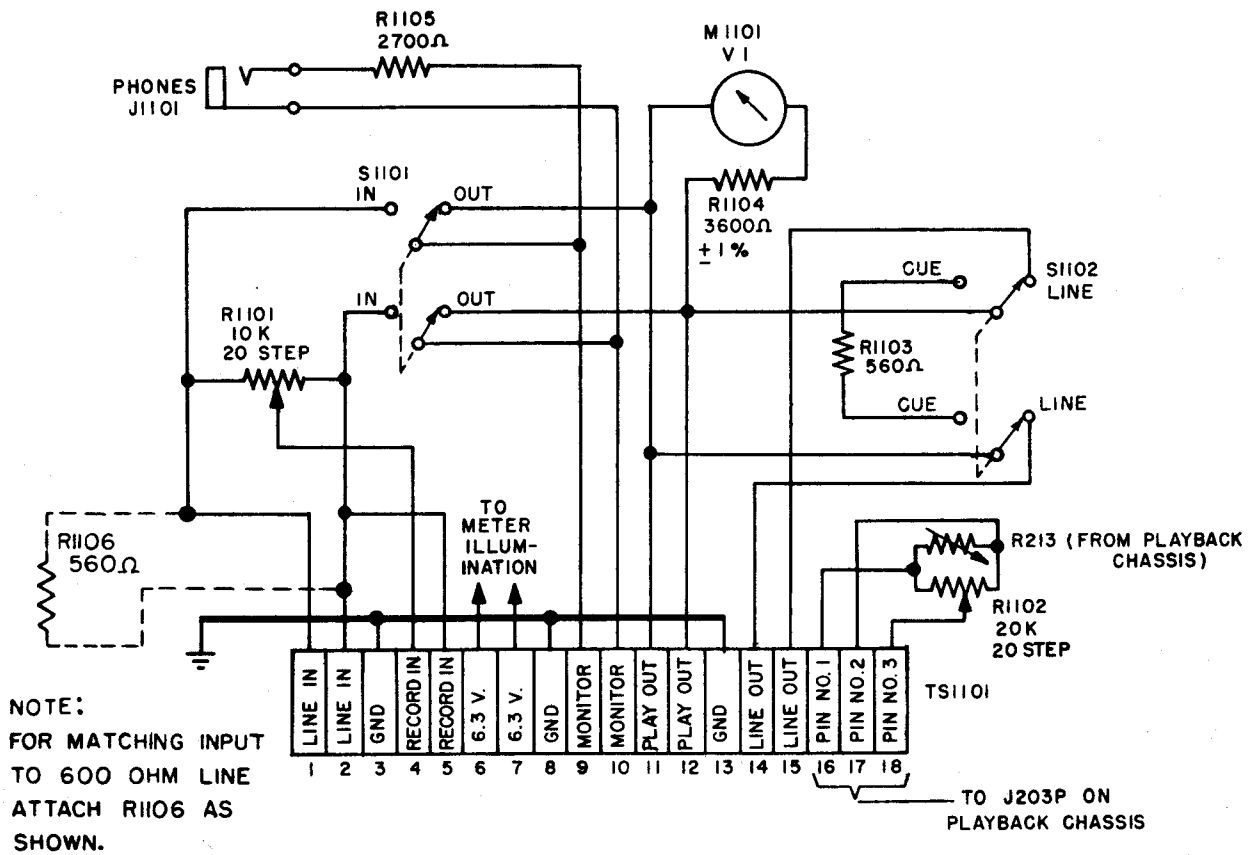


Fig. 6-3 SCHEMATIC DIAGRAM, METER PANEL ASSEMBLY

PARTS LIST
METER PANEL ASSEMBLY
CATALOG NUMBER 515-02

<u>REF. NO.</u>	<u>PART DESCRIPTION</u>	<u>AMPEX PART NO.</u>
	METER CONTROL PANEL	515-02
J1101	JACK, Phone: 2 conductor: Switchcraft Part No. 11	148-015
R1101	ATTENUATOR, Variable: 20 step, 2 dbl step, 10K ohms: Daven Part No. CP-254-M	045-002
R1102	ATTENUATOR, Variable: 20 step, 2 dbl step, 20K ohms: Daven Part No. CP-254-P	045-003

<u>REF. NO.</u>	<u>PART DESCRIPTION</u>	<u>AMPEX PART NO.</u>
R1103	RESISTOR, Fixed: axial, composition, 560 ohms, 1 watt, 10%: MIL-R-11A:RC32GF561K	041-142
R1104	RESISTOR, Fixed: wirewound, 3.6K ohms, 1/2 watt, 1%: Cinema Part No. Type CE 528N	043-197
R1105	RESISTOR, Fixed: axial, composition, 2.7K ohms, 1 watt, 10%: MIL-R-11R:RC32GF272K	041-151
S1101	SWITCH, toggle: lever switch, DPDT: MCM-M6-C-0-C-0	120-009
S1102	Same as S1101	120-009
TS1101	TERMINAL STRIP, Barrier Type: 18 contact: Cinch Part No. 18-141	180-071
	TERMINAL STRIP, 2 lugs: 2 terminals: Cinch Part No. 1510A	180-025
M1101	METER, Vu: frosted lamps, 6.3 volt, .3 amp	30667-01
	BRACKET, mounting: terminals strip	536-00
	CABLE ASSEMBLY: Input	569-00
	CABLE ASSEMBLY: Level Control	570-00
	CABLE ASSEMBLY: Output	568-00
	CABLE ASSEMBLY: Panel Lights	625-00
	KNOB, Large, skirted: RECORD LEVEL	230-004
	KNOB, Large, skirted: OUTPUT LEVEL	230-004
	SHAFT LOCK, nut: for 1/4-inch shaft: Miller Part No. 10061	498-014