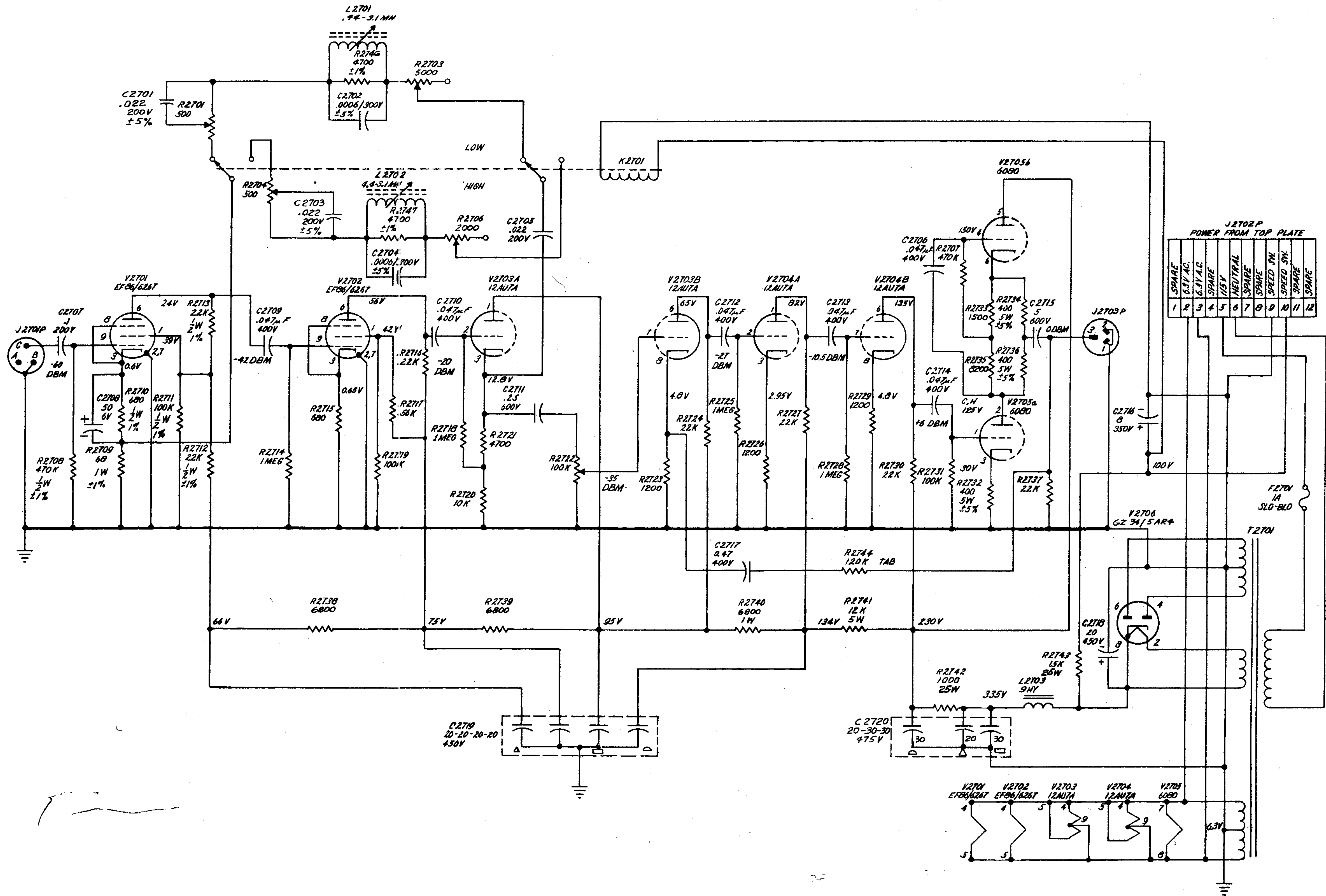


NOTES

1. ALL RESISTORS IN OHMS, ±10%, 1/2 W UNLESS OTHERWISE NOTED.
2. ALL CAPACITORS IN MFD, 600V, UNLESS OTHERWISE NOTED.
3. ALL RELAYS SHOWN DE-ENERGIZED.
4. C508 MAY VARY.

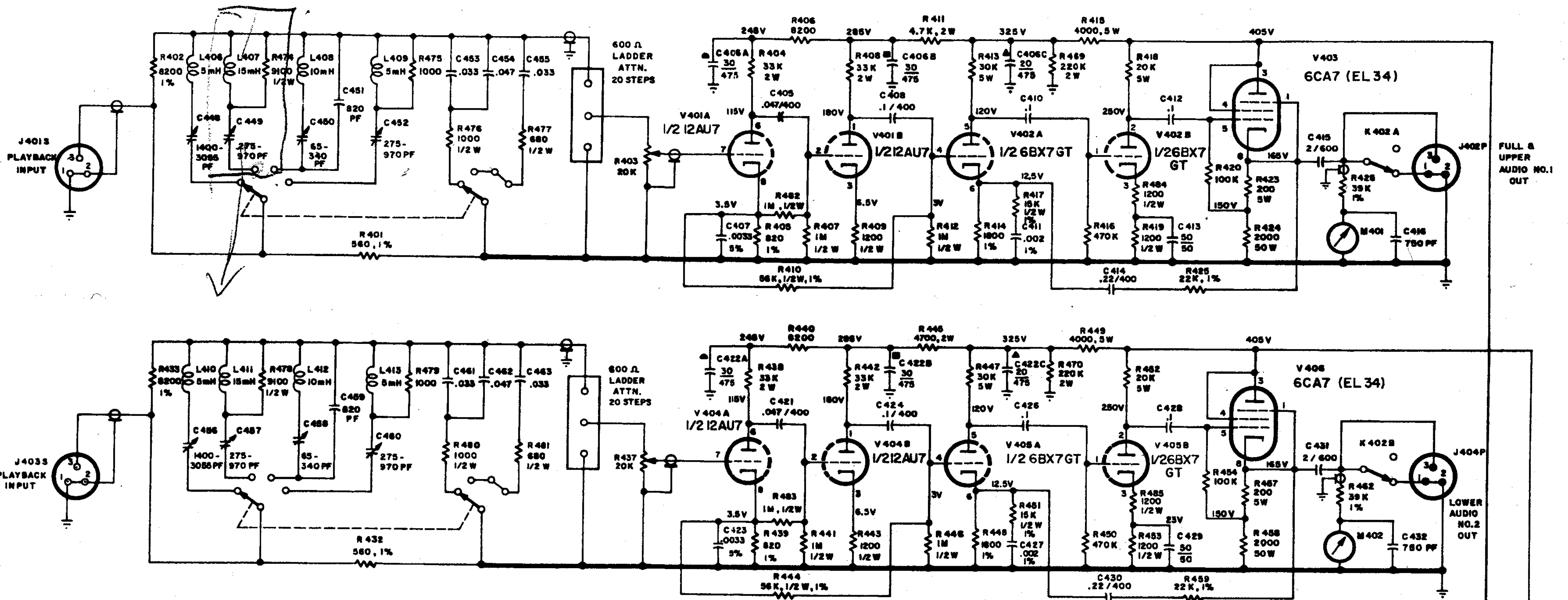
Fig. 8-10 Bias Amplifier



NOTES:

1. UNLESS OTHERWISE SPECIFIED:
 A. ALL RESISTORS ARE IN OHMS, $\frac{1}{2}$ W, $\pm 10\%$,
 B. ALL CAPACITORS ARE IN MICROFARADS, 900V.
2. LETTERS DESIGNATE TURRET CONNECTION.
3. SIGNAL LEVELS INDICATED FOR -60 DBM, 1000 CPS INPUT. GAIN ADJUSTED FOR OUTPUT OF 0 DBM WITH 600 OHMS LOAD. EITHER HIGH OR LOW SPD. EQUALIZATION.

Fig. 8-5 Reproduce Amplifier-3300B



- NOTES**
1. ALL CAPACITORS IN MICROFARADS, 600 VOLTS UNLESS OTHERWISE NOTED.
 2. ALL RESISTORS IN OHMS, $\pm 10\%$, 1W UNLESS OTHERWISE NOTED.
 3. ALL D.C. VOLTAGES MEASURED WITH 20,000 OHM/VOLT METER.
 4. WITH 1KC SIGNAL INPUT, ZERO "VU" ON METER EQUALS 6V ACROSS 600 OHM LOAD SUBSTITUTED FOR HEAD.
 5. IF SUBSTITUTE TRANSFORMER TR-79 (CHICAGO PSC-300) IS USED (REF. NO. T401) IN PLACE OF TR-79 (UTC N7.89), ELIMINATE C433.
 6. NUMBERS IN PARENTHESES ARE FOR SUBSTITUTE TRANSFORMER TR-79.
 7. ALL RELAYS SHOWN DE-ENERGIZED.

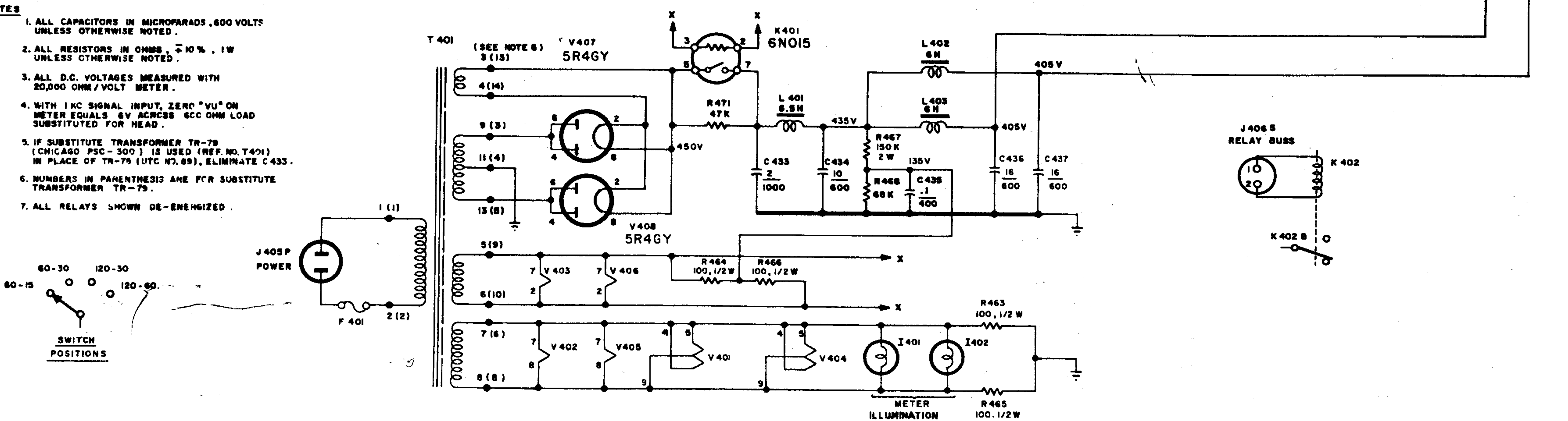


Fig. 8-8 Record Amplifier-3300B