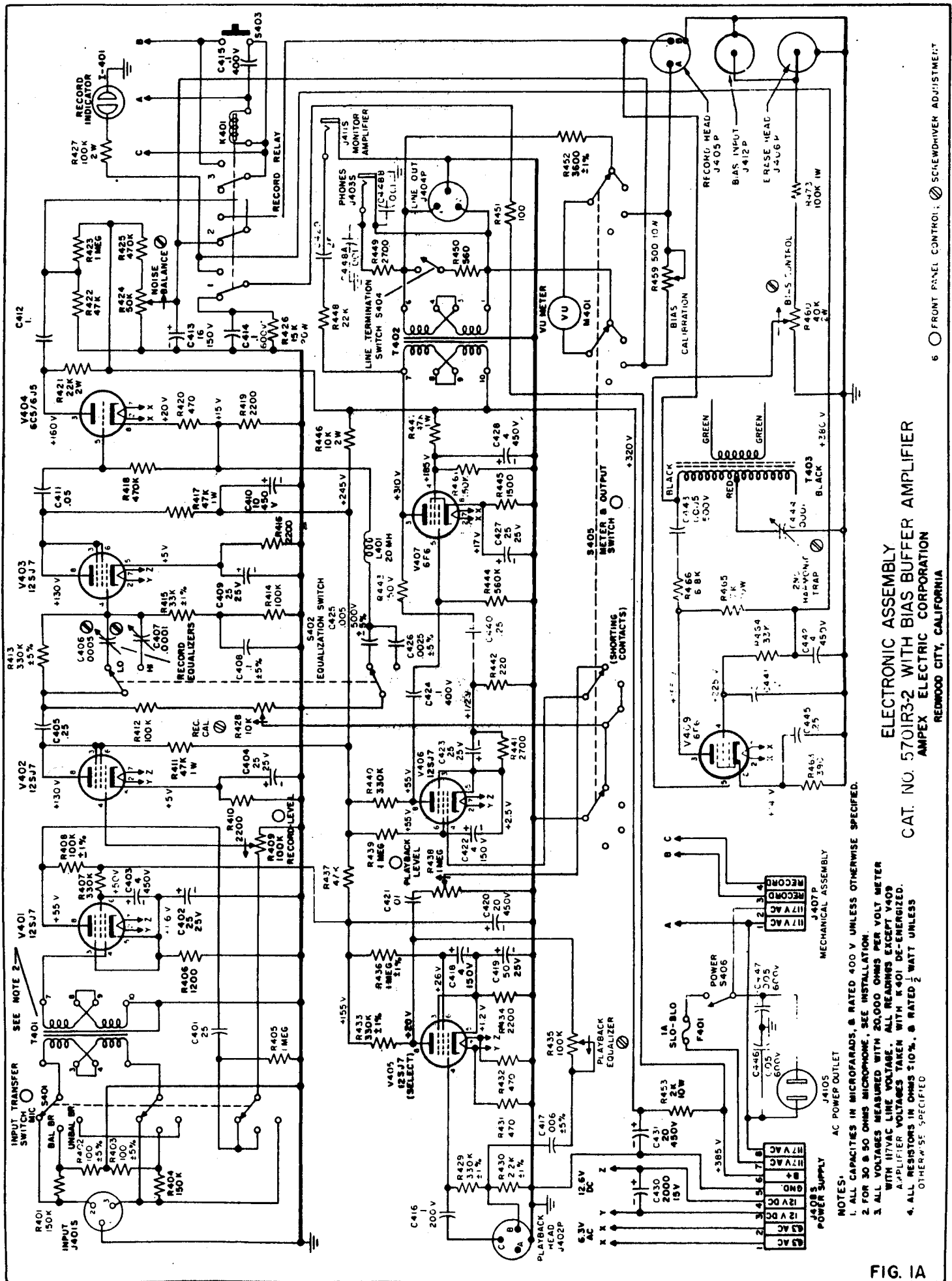


ELECTRONIC ASSEMBLY  
 CATALOG NO. 570IR3  
 AMPEX ELECTRIC CORPORATION  
 REDWOOD CITY, CALIFORNIA

- NOTES:
1. ALL CAPACITIES IN MICROFARADS, & RATED 400 V UNLESS OTHERWISE SPECIFIED.
  2. FOR 30 & 50 OHMS MICROPHONE, & RATED 400 V UNLESS OTHERWISE SPECIFIED.
  3. ALL VOLTAGES MEASURED WITH 20,000 OHMS PER VOLT METER WITH HTVAC LINE VOLTAGE. ALL READINGS EXCEPT V408 OSCILLATOR VOLTAGES TAKEN WITH K-401 DE-ENERGIZED.
  4. ALL RESISTORS IN OHMS ±10%, & RATED 1/2 WATT UNLESS OTHERWISE SPECIFIED.

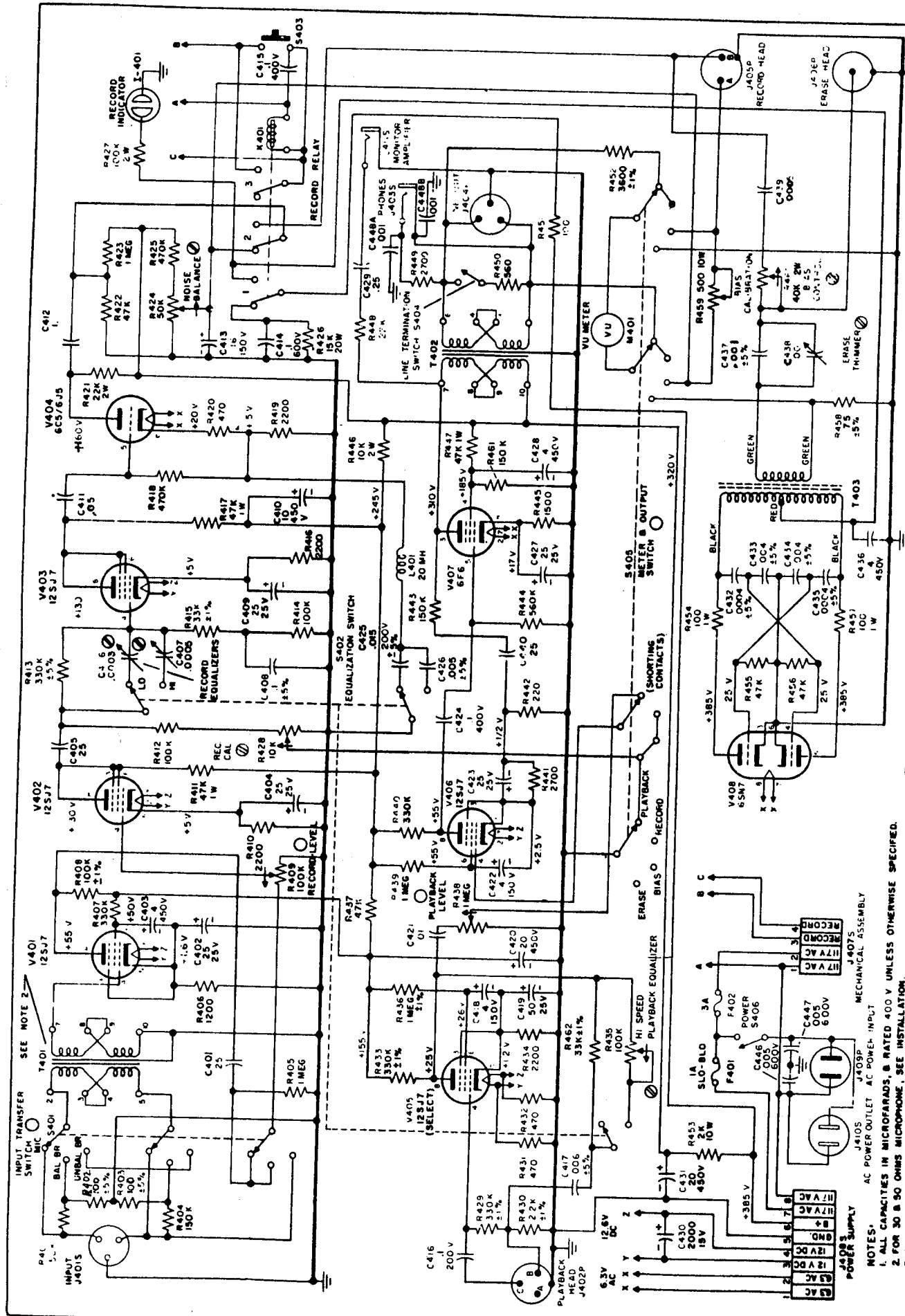
FIG. 1



**ELECTRONIC ASSEMBLY**  
**CAT. NO. 5701R3-2 WITH BIAS BUFFER AMPLIFIER**  
 AMPEX ELECTRIC CORPORATION  
 REDWOOD CITY, CALIFORNIA

- NOTES:**
1. ALL CAPACITIES IN MICROFARADS, & RATED 400 V UNLESS OTHERWISE SPECIFIED.
  2. FOR 50 & 50 OHMS MICROPHONE, SEE INSTALLATION.
  3. ALL VOLTAGES MEASURED WITH 20,000 OHMS PER VOLT METER WITH 117VAC LINE VOLTAGE. ALL READINGS EXCEPT V403 AMPLIFIER VOLTAGES TAKEN WITH K401 DE-ENERGIZED.
  4. ALL RESISTORS IN OHMS ±10%, & RATED 1/2 WATT UNLESS OTHERWISE SPECIFIED.

**FIG. 1A**

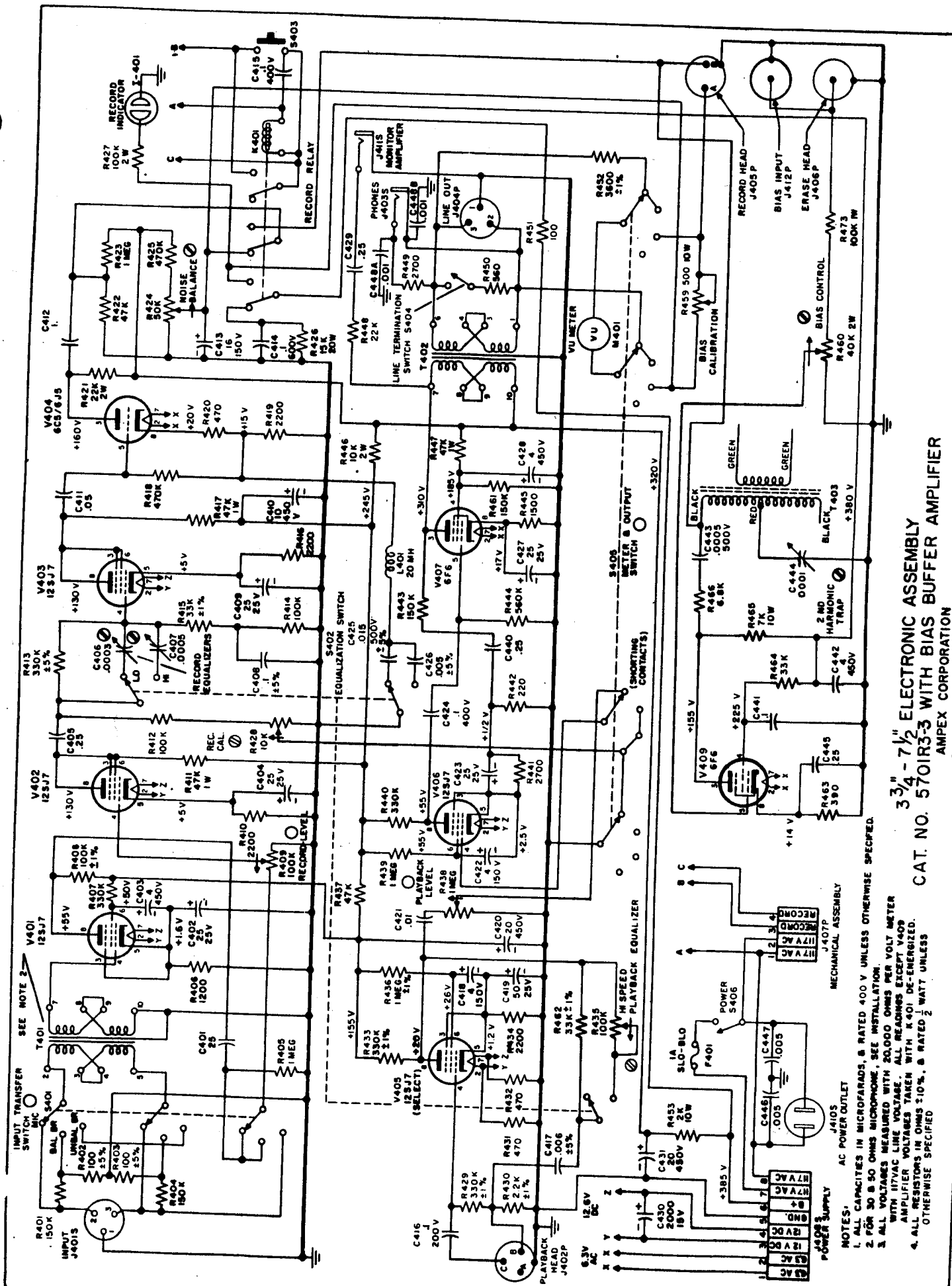


**ELECTRONIC ASSEMBLY**  
**(3 3/4 & 7 1/2" SPEED)**  
**CATALOG NO 570IR3-1**  
**AMPEX ELECTRIC CORPORATION**  
 REDWOOD CITY, CALIFORNIA

- NOTES:**
1. ALL CAPACITIES IN MICROFARADS, B RATED 400 V UNLESS OTHERWISE SPECIFIED.
  2. FOR 30 & 30 OHMS MICROPHONE, SEE INSTALLATION.
  3. ALL VOLTAGES MEASURED WITH 20,000 OHMS PER VOLT METER WITH 117VAC LINE VOLTAGE. ALL READINGS EXCEPT V408 OSCILLATOR VOLTAGES TAKEN WITH K401 DE-ENERGIZED.
  4. ALL RESISTORS IN OHMS ±10%, B RATED 1/2 WATT UNLESS OTHERWISE SPECIFIED.

**FIG. 2**

6 ○ FRONT PANEL CONTROL; ⊗ SCREWDRIVER ADJUSTMENT



3 3/4 - 7 1/2 ELECTRONIC ASSEMBLY  
 AMPLEX CORPORATION  
 REDWOOD CITY, CALIFORNIA

- NOTES:
1. ALL CAPACITIES IN MICROFARADS, & RATED 400 V UNLESS OTHERWISE SPECIFIED.
  2. FOR 30 & 50 OHMS MICROPHONE, SEE INSTALLATION.
  3. ALL VOLTAGES MEASURED WITH 20,000 OHMS PER VOLT METER WITH 175V AC LINE VOLTAGE. ALL READINGS EXCEPT V409 AMPLIFIER VOLTAGES TAKEN WITH K401 DE-ENERGIZED.
  4. ALL RESISTORS IN OHMS ±10%, & RATED 1/2 WATT UNLESS OTHERWISE SPECIFIED

FIG. 2A