

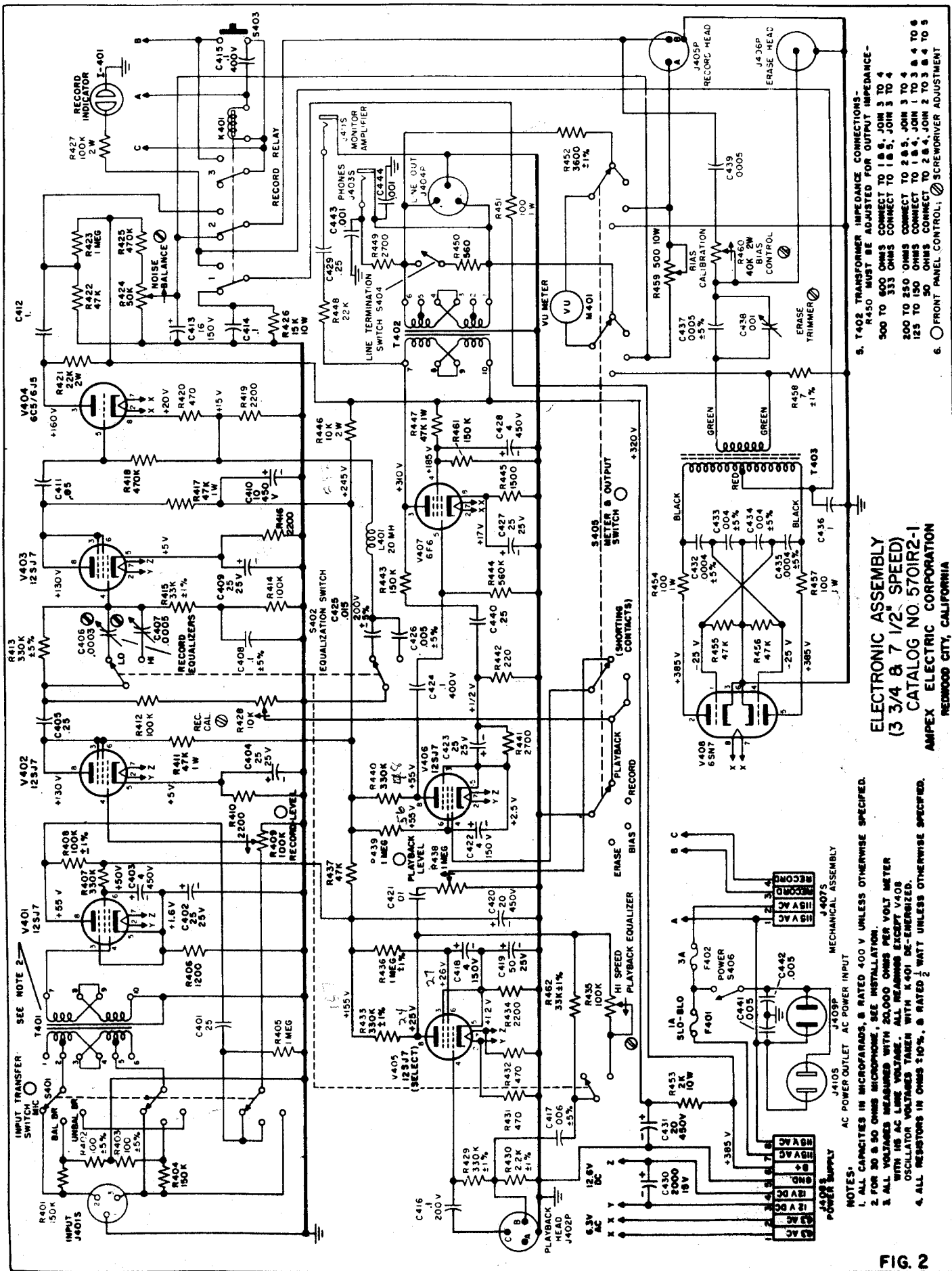
8. T402 TRANSFORMER IMPEDANCE CONNECTIONS - R450 MUST BE ADJUSTED FOR OUTPUT IMPEDANCE - 500 TO 600 OHMS CONNECT TO 1B, JOIN 3 TO 4 200 TO 250 OHMS CONNECT TO 2B, JOIN 3 TO 4 125 TO 150 OHMS CONNECT TO 1B, JOIN 3 TO 4 50 OHMS CONNECT TO 2B, JOIN 2 TO 3, 4 TO 5

9. FRONT PANEL CONTROL: SCREWDRIVER ADJUSTMENT

ELECTRONIC ASSEMBLY
CATALOG NO. 5701R2
AMPEX ELECTRIC CORPORATION
 REDWOOD CITY, CALIFORNIA

- NOTES:
1. ALL CAPACITORS IN MICROFARADS, & RATED 400 V UNLESS OTHERWISE SPECIFIED.
 2. FOR 30 & 50 OHMS MICROPHONE, SEE INSTALLATION.
 3. ALL VOLTAGES MEASURED WITH 50,000 OHMS PER VOLT METER WITH 100 OHMS AC LINE VOLTAGE. ALL MEASUREMENTS EXCEPT V405 OSCILLATOR VOLTAGES TAKEN WITH K401 DE-ENERGIZED.
 4. ALL RESISTORS IN OHMS ±10%, & RATED 1/2 WATT UNLESS OTHERWISE SPECIFIED.

FIG. 1

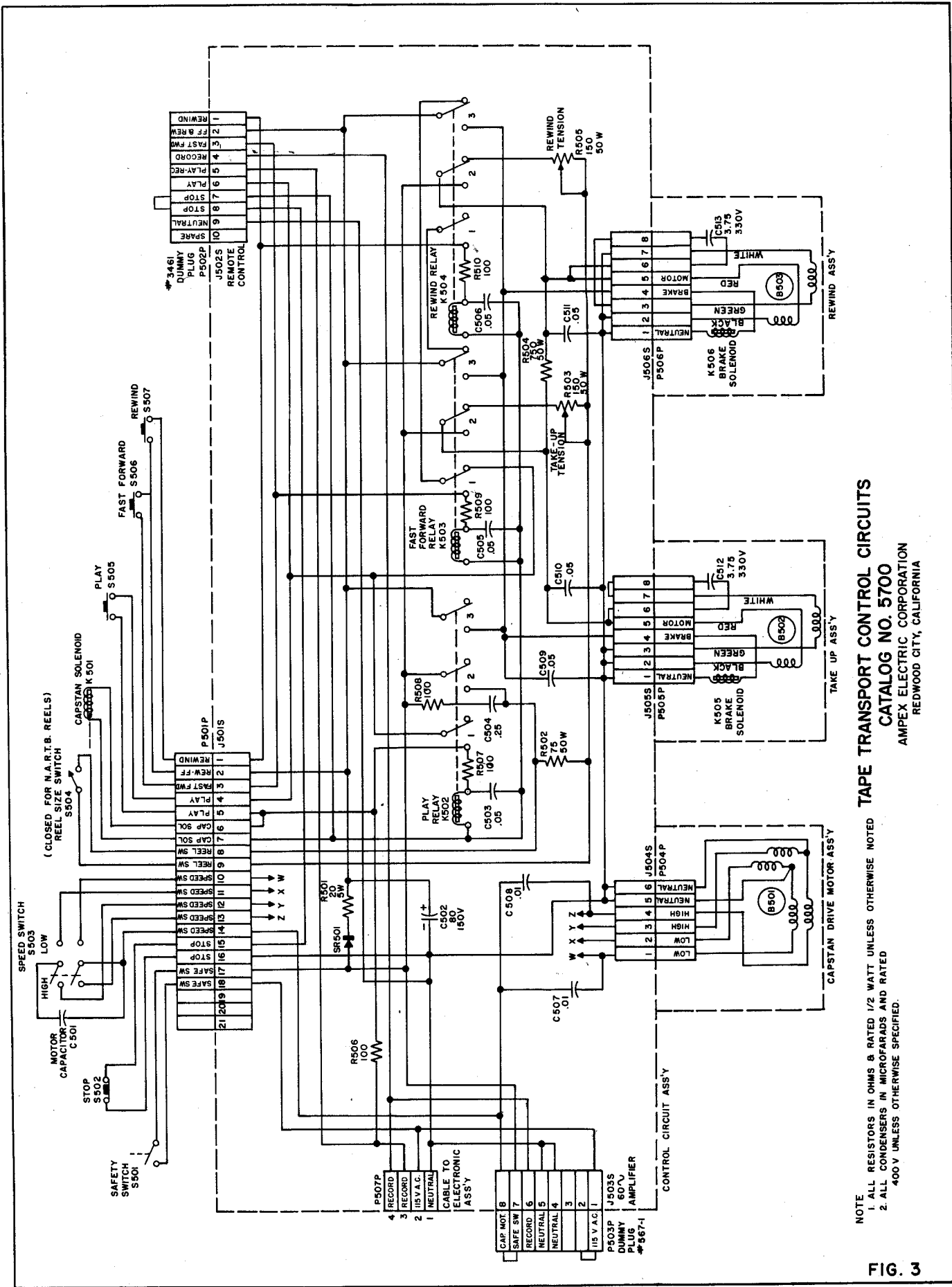


ELECTRONIC ASSEMBLY
(3 3/4 & 7 1/2" SPEED)
CATALOG NO. 5701R2-1
AMPEX ELECTRIC CORPORATION
REDWOOD CITY, CALIFORNIA

- NOTES:**
1. ALL CAPACITORS IN MICROFARADS, & RATED 400 V UNLESS OTHERWISE SPECIFIED.
 2. FOR 30 & 50 OHMS MICROPHONE, SEE INSTALLATION.
 3. ALL VOLTAGES MEASURED WITH 20,000 OHMS PER VOLT METER WITH 100 AC LINE VOLTAGE. ALL READINGS EXCEPT V408 OSCILLATOR VOLTAGES TAKEN WITH K 401 DE-ENERGIZED.
 4. ALL RESISTORS IN OHMS ±10%, & RATED 1/2 WATT UNLESS OTHERWISE SPECIFIED.

FIG. 2

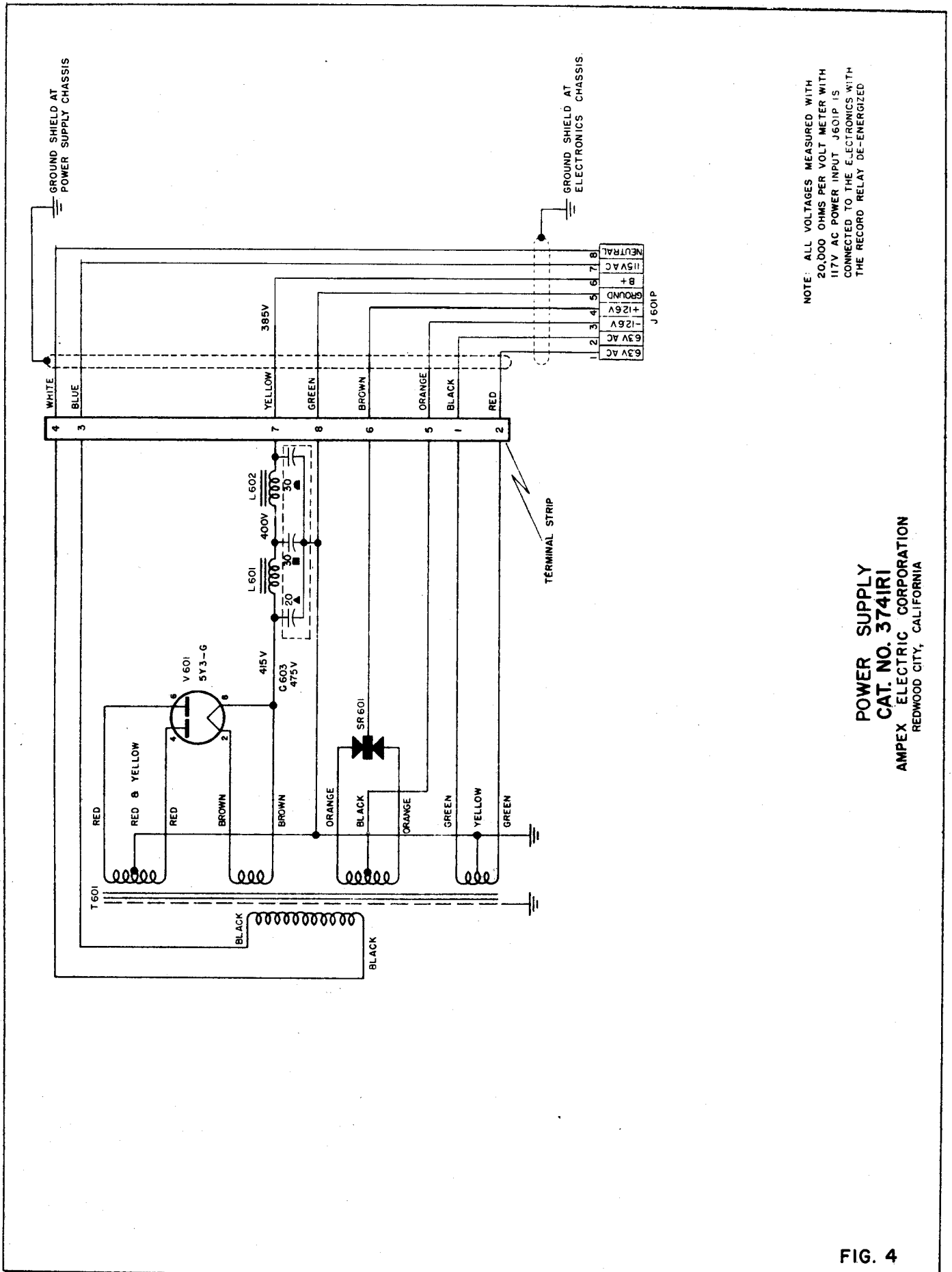
5. T402 TRANSFORMER IMPEDANCE CONNECTIONS - R450 MUST BE ADJUSTED FOR OUTPUT IMPEDANCE - 500 TO 600 OHMS CONNECT TO 1 & 6, JOIN 3 TO 4 333 OHMS CONNECT TO 1 & 5, JOIN 3 TO 4 200 TO 250 OHMS CONNECT TO 2 & 5, JOIN 3 TO 4 125 TO 150 OHMS CONNECT TO 1 & 4, JOIN 1 TO 3 & 4 TO 6 50 OHMS CONNECT TO 2 & 4, JOIN 2 TO 3 & 4 TO 5
6. ○ FRONT PANEL CONTROL; ⊗ SCREWDRIVER ADJUSTMENT



TAPE TRANSPORT CONTROL CIRCUITS
CATALOG NO. 5700
 AMPEX ELECTRIC CORPORATION
 REDWOOD CITY, CALIFORNIA

NOTE
 1. ALL RESISTORS IN OHMS & RATED 1/2 WATT UNLESS OTHERWISE NOTED
 2. ALL CONDENSERS IN MICROFARADS AND RATED 400 V UNLESS OTHERWISE SPECIFIED.

FIG. 3



POWER SUPPLY
CAT. NO. 3741R1
 AMPEX ELECTRIC CORPORATION
 REDWOOD CITY, CALIFORNIA

FIG. 4

FIG. 5A
 INPUT FOR HIGH IMPEDANCE MICROPHONE
 (SEE INSTALLATION)

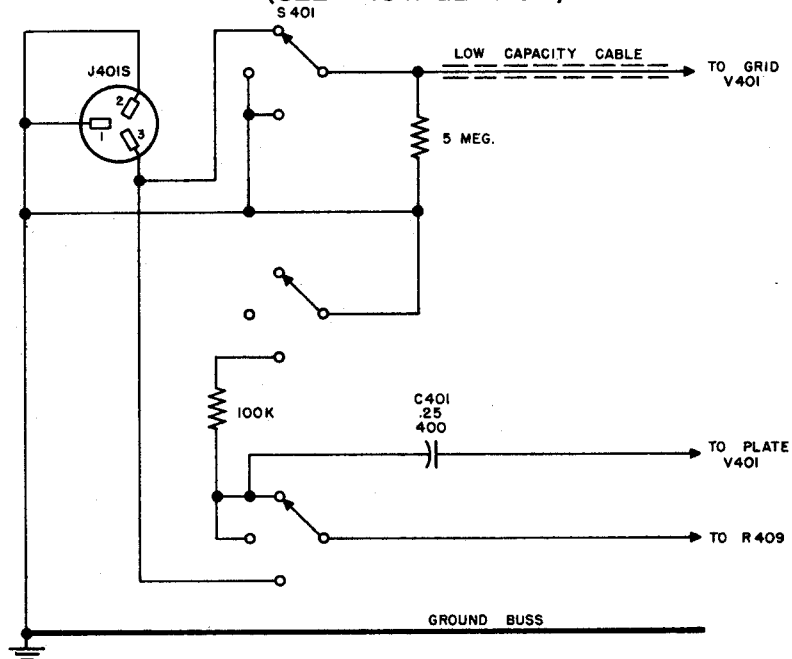
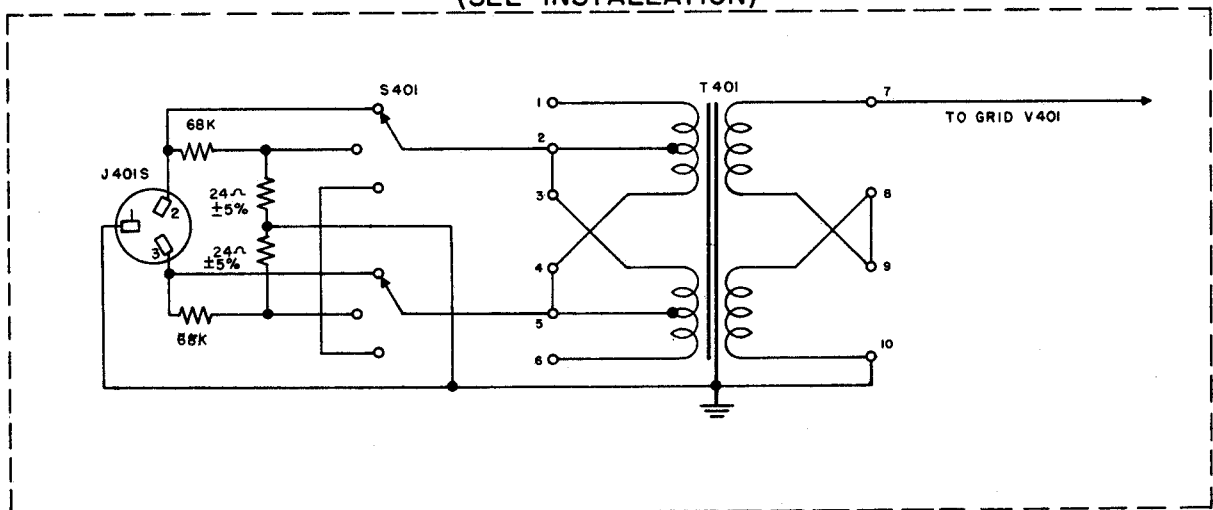


FIG. 5B
 INPUT TRANSFORMER CONNECTION FOR
 30 & 50 OHMS MICROPHONES
 (SEE INSTALLATION)



INPUT CONNECTIONS
 CATALOG NO. 5701
 AMPEX ELECTRIC CORPORATION
 REDWOOD CITY, CALIFORNIA

FIG. 5