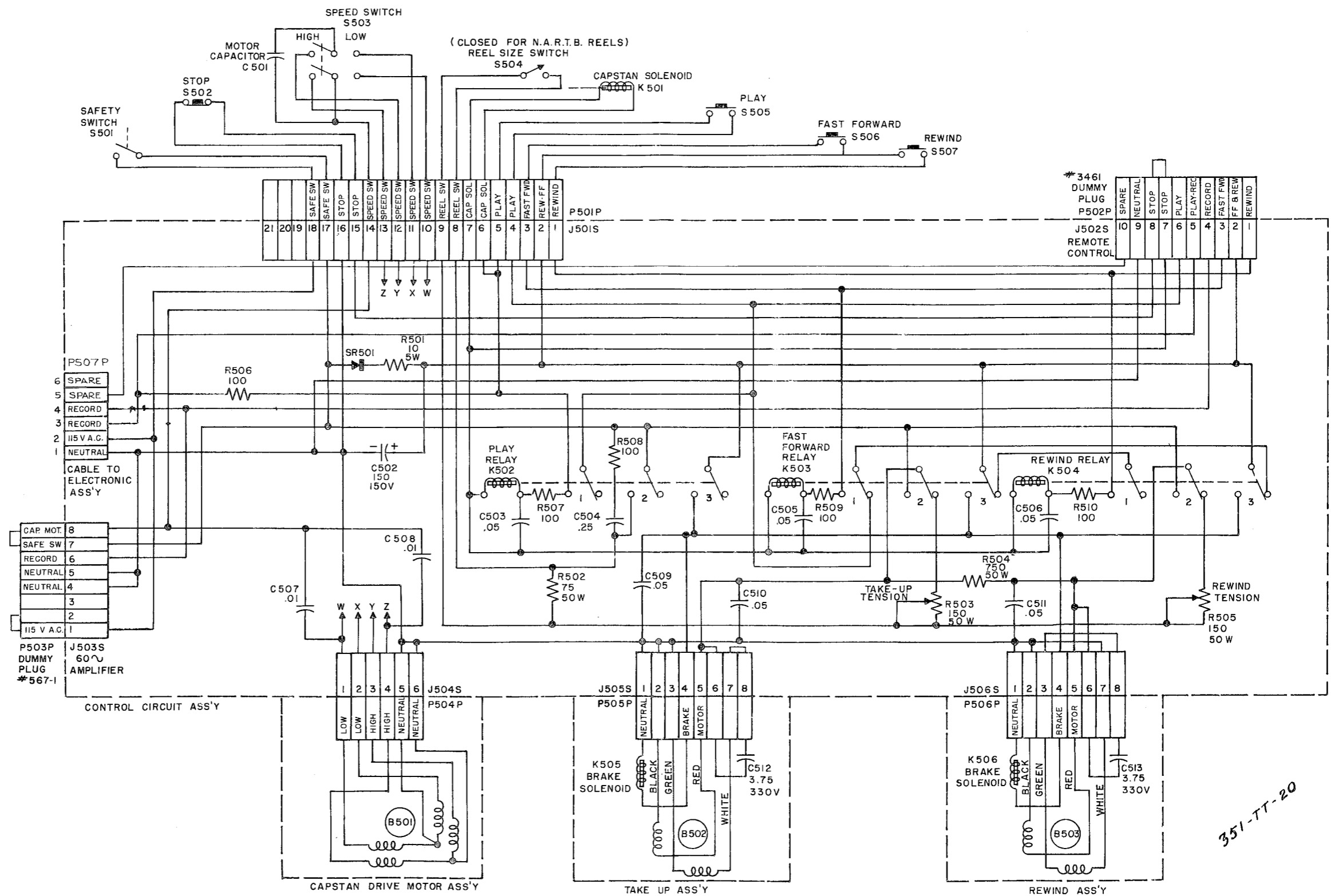


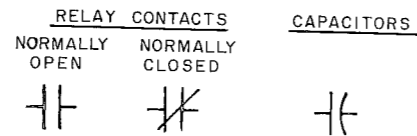
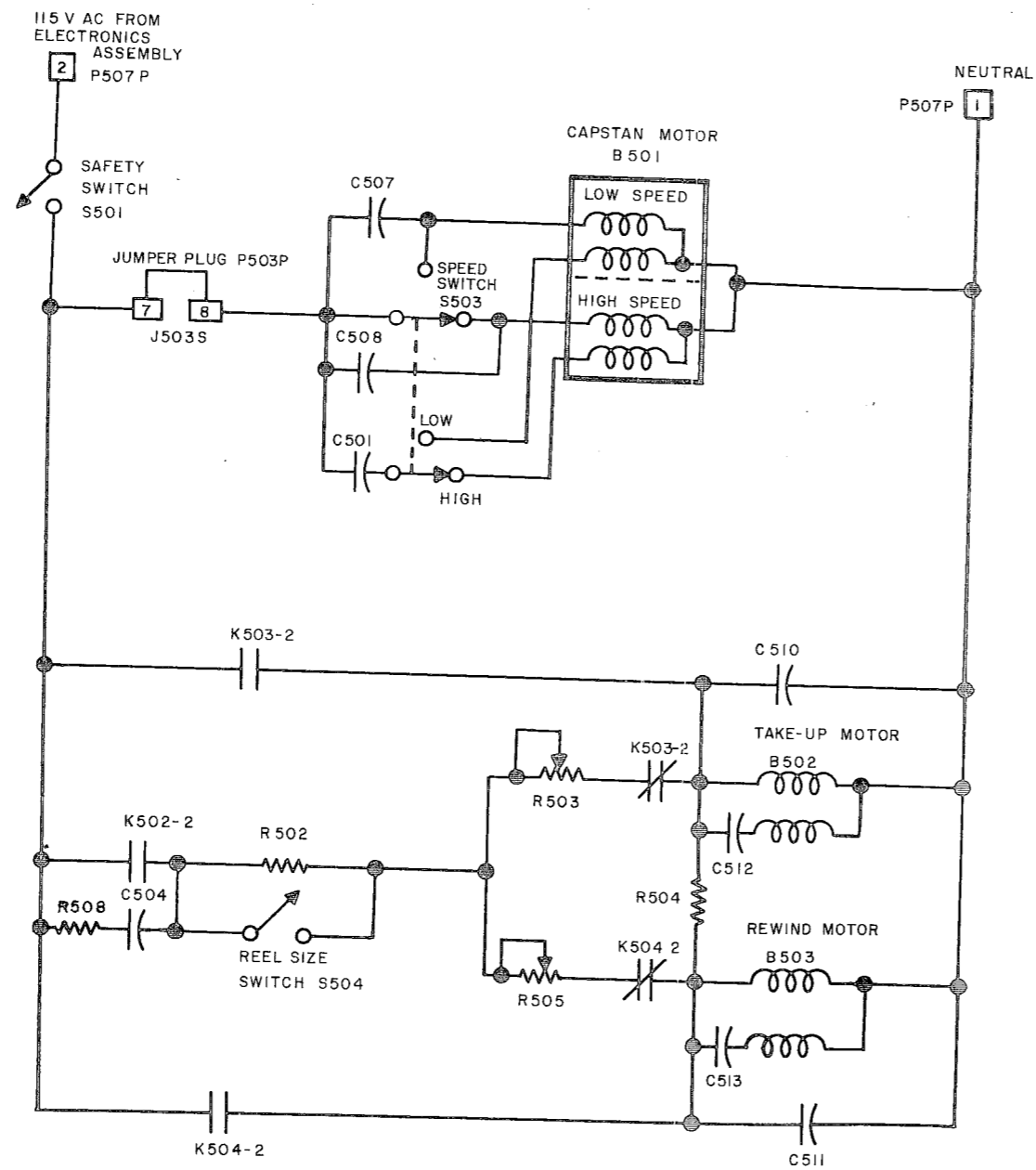
REF. NO.	PART DESCRIPTION	AMPEX PART NO.
	<u>TAPE TRANSPORT MECHANISM</u>	
B501	DRIVE MOTOR ASSEMBLY	
	7-1/2 - 15 ips, 60 Cycle Motor	6150-0
	7-1/2 - 15 ips, 50 Cycle Motor	6151-1
	3-3/4 - 7-1/2 ips, 60 Cycle Motor	5585-0
	3-3/4 - 7-1/2 ips, 50 Cycle Motor	5778-1
C501	Each includes: Capacitor Assy., 5 uf Flywheel with Bodine Motor with Ashland Motor Set Screw, 10-32 x 1/4 Mounting Adaptor Four Screws 8-32 x 1-1/2 Plug, 6-contact, Jones	9487-2 981 2212 477-118 2211 471-489 145-012
	FAN	591-001
B502	TAKEUP ASSEMBLY	9451
	Turntable Motor Assembly Includes Motor, Mounting Flange, Brake Drum, and Turntable with Pad. Pad	7558 958
C512	Capacitor, 3.75 uf Brake Housing Brake Band Assembly (Kit of two) Brake Band Leaf, 1-1/8" long Brake Band Leaf, 7/8" long	035-111 317 7970-1 720-1 720-2
K505	Brake Solenoid Brake Tension Spring Plug, 8-contact, Jones	337 322 145-013
B503	REWIND ASSEMBLY (60 cycle)	9452
	Turntable Motor Assembly Includes Motor, Mounting Flange Brake Drum, and Turntable with Pad. Pad	7558 958
C513	Capacitor, 3.75 uf Brake Housing Brake Band Assembly (Kit of two) Brake Band Leaf, 1-1/8" long Brake Band Leaf, 7/8" long	035-111 316 7970-1 720-1 720-2
K506	Brake Solenoid Brake Tension Spring Plug, 8-contact, Jones	337 322 145-013
B503	REWIND ASSEMBLY (50 cycle) Capacitor, 4.00 mfd (All other parts identical to 60 cycle)	30782 035-116
	TAKEUP TENSION ARM ASSEMBLY	425-0
	Individually Replaceable Parts: Takeup Tension Arm Spring Tape Guide Tape Guide Hook	422-0 675-0 355
	REEL IDLER ASSEMBLY, with arm and guide, but without flywheel.	
	For 7-1/2 - 15 ips Machine	4459-0
	For 3-3/4 - 7-1/2 ips Machine	4459-3
	Tape Guide	257-0
	Reel Idler Flywheel	636-1
	Pulley Assembly (7-1/2 - 15 ips)	5893
	Pulley Assembly (3-3/4 - 7-1/2 ips)	5893-1
	CAPSTAN IDLER WHEEL ASSEMBLY	
	For 7-1/2 - 15 ips Machine	500-0
	For 3-3/4 - 7-1/2 ips Machine	6092
	Capstan Idler Arm	372-1
	Capstan Idler Arm Bushing	5755
	Capstan Dust Cap	
	For 7-1/2 - 15 ips Machine	3506-0
	For 3-3/4 - 7-1/2 ips Machine	3506-1
	Individually Replaceable Parts: Felt Washer Retaining Ring	3583-2 432-007
K501	Capstan Solenoid Capstan Solenoid Eye-Bolt Capstan Solenoid Stop Capstan Solenoid Felt Washer Capstan Solenoid Pressure Spring Capstan Solenoid Return Spring	670 396-3 388 503-015 676 5757
	PUSHBUTTON GUARDS	361
P502P	CONNECTOR, plug, male, 10 contacts (Remote dummy)	3461
P503P	CONNECTOR, plug, male, 8 contacts (60 cycle dummy)	567-1
S501	SWITCH ASSEMBLY, safety: SPST, normally closed; Unimax part No. 2HBT-215-1W	6592
S502	PUSHBUTTON, STOP: SPST, normally closed	120-014
S503	SWITCH, toggle, tape speed: DPDT	120-004
S504	SWITCH, toggle, reel size: SPST	120-005
S505	PUSHBUTTON, PLAY: SPST, normally open	120-013
S506	PUSHBUTTON, FAST FWD: Same as S505	
S507	PUSHBUTTON, REWIND: Same as S505	

REF. NO.	PART DESCRIPTION	AMPEX PART NO.
	ORDER BY AMPEX CATALOG NUMBER	
	<u>CONTROL CIRCUIT ASSEMBLY</u> Catalog No. 5703	
C502	CAPACITOR, fixed: electrolytic tubular, 150 uf, 150 vdc; C. D. Part No. 15015	031-045
C503	CAPACITOR, fixed: metallized tubular, axial leads, .05 uf ± 20%, 400 vdc; Astron Part No. ML-4-05	033-006
C504	CAPACITOR, fixed: metallized tubular, axial leads, .25 uf ± 20%, 400 vdc; Astron Part No. ML-4-25	033-008
C505	Same as C503	
C506	Same as C503	
C507	CAPACITOR, fixed: metallized tubular, axial leads, .01 uf ± 20%, 400 vdc; Astron Part No. ML-4-01	033-005
C508	Same as C507	
C509	Same as C503	
C510	Same as C503	
C511	Same as C503	
J501S	CONNECTOR, receptacle: female, 21 contacts chassis mounted; Jones Part No. S-321-AB	146-057
J502S	CONNECTOR, receptacle: female, 10 contacts chassis mounted; Jones Part No. S-310-AB	146-018
J503S	CONNECTOR, receptacle: female, 8 contact chassis mounted; Jones Part No. S-308-AB	146-003
J504S	CONNECTOR, receptacle: female 6 contact chassis mounted; Jones Part No. S-306-AB	146-004
J505S	Same as J503S	
J506S	Same as J503S	
K502	RELAY, PLAY: 3PDT, 115 volt dc coil std. 10 amp contact; Philtrol Part No. 33QA	020-006
K503	RELAY, FAST FWD: Same as K502	
K504	RELAY, REWIND: Same as K502	
P501P	CONNECTOR, plug, male, 21 contacts; Jones Part No. P-321-CCT-L	145-022
P504P	CONNECTOR, plug, male, 6 contacts; Jones Part No. P-306-CCT-L	145-012
P505P	CONNECTOR, plug, male, 8 contacts; Jones Part No. P-308-CCT-L	145-013
P506P	Same as J505P	
P507P	Same as P504P	
R501	RESISTOR, fixed: wirewound, 20 ohm ± 10%, 5 watts; Tru-Ohm Part No. type FRL-5	043-154
R502	RESISTOR, fixed: wirewound, 75 ohm ± 5%, 75 watts; Tru-Ohm Part No. FR-50	043-002
R503	RESISTOR, adjustable: wirewound, 150 ohm ± 5%, 50 watts; Tru-Ohm Part No. AR-50	040-011
R504	RESISTOR, adjustable: wirewound, 750 ohm ± 5%, 50 watts; Tru-Ohm Part No. AR-50	040-007
R505	Same as R503	
R506	RESISTOR, fixed: composition, 100 ohm ± 10%, 1/2 watt; ML-R-11A, RC20GF101K	041-038
R507	Same as R506	
R508	Same as R506	
R509	Same as R506	
R510	Same as R506	
SR501	RECTIFIER, selenium: single phase, half wave; G. E. Part No. 6RS25PH6ATD1	582-016

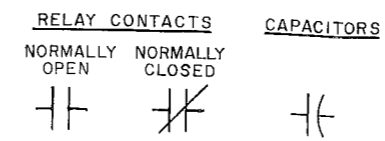
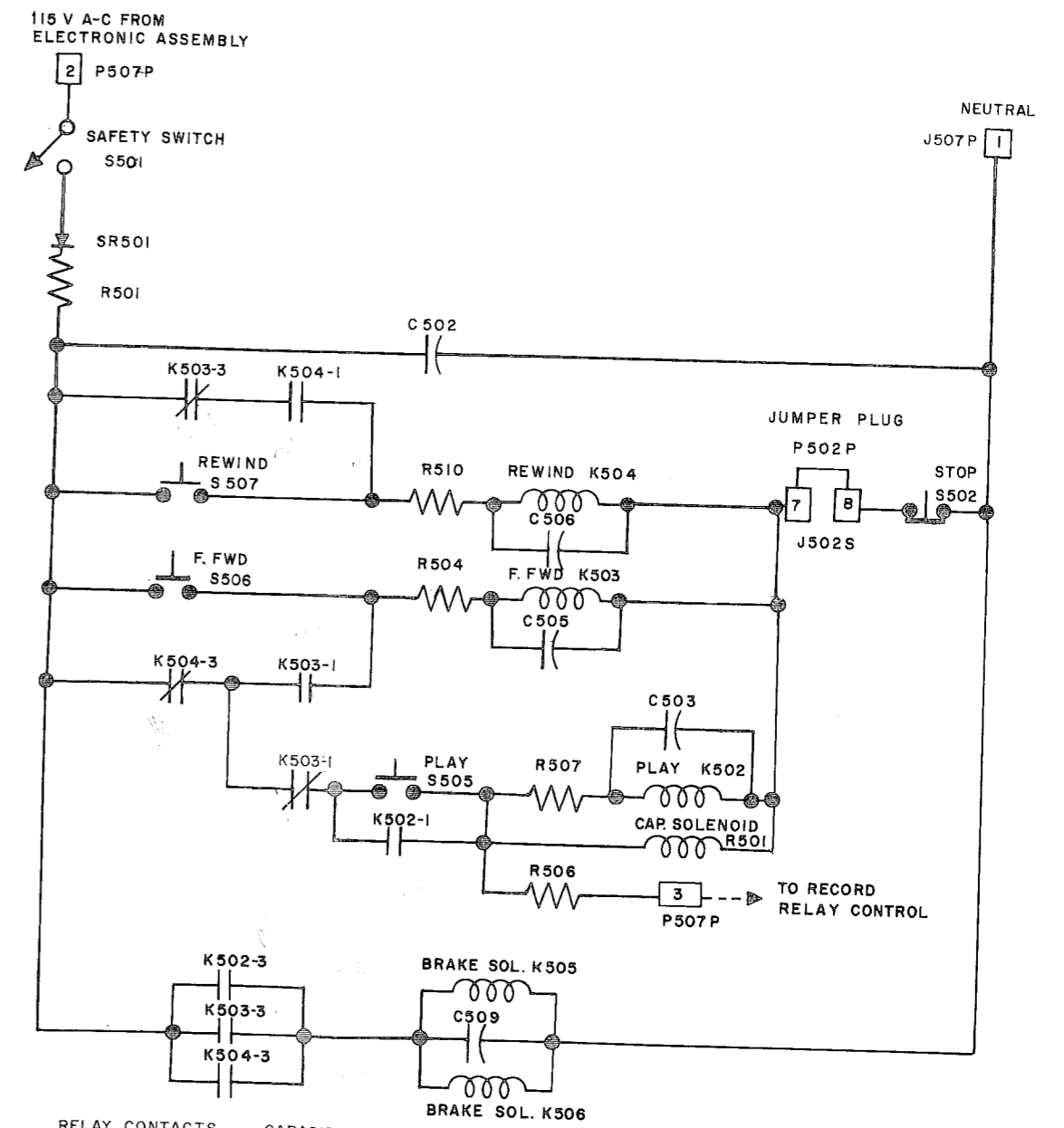


NOTE
 1. ALL RESISTORS IN OHMS & RATED 1/2 WATT UNLESS OTHERWISE NOTED
 2. ALL CONDENSERS IN MICROFARADS AND RATED 400 V UNLESS OTHERWISE SPECIFIED.

351-TT-20



A-C CONTROL CIRCUIT

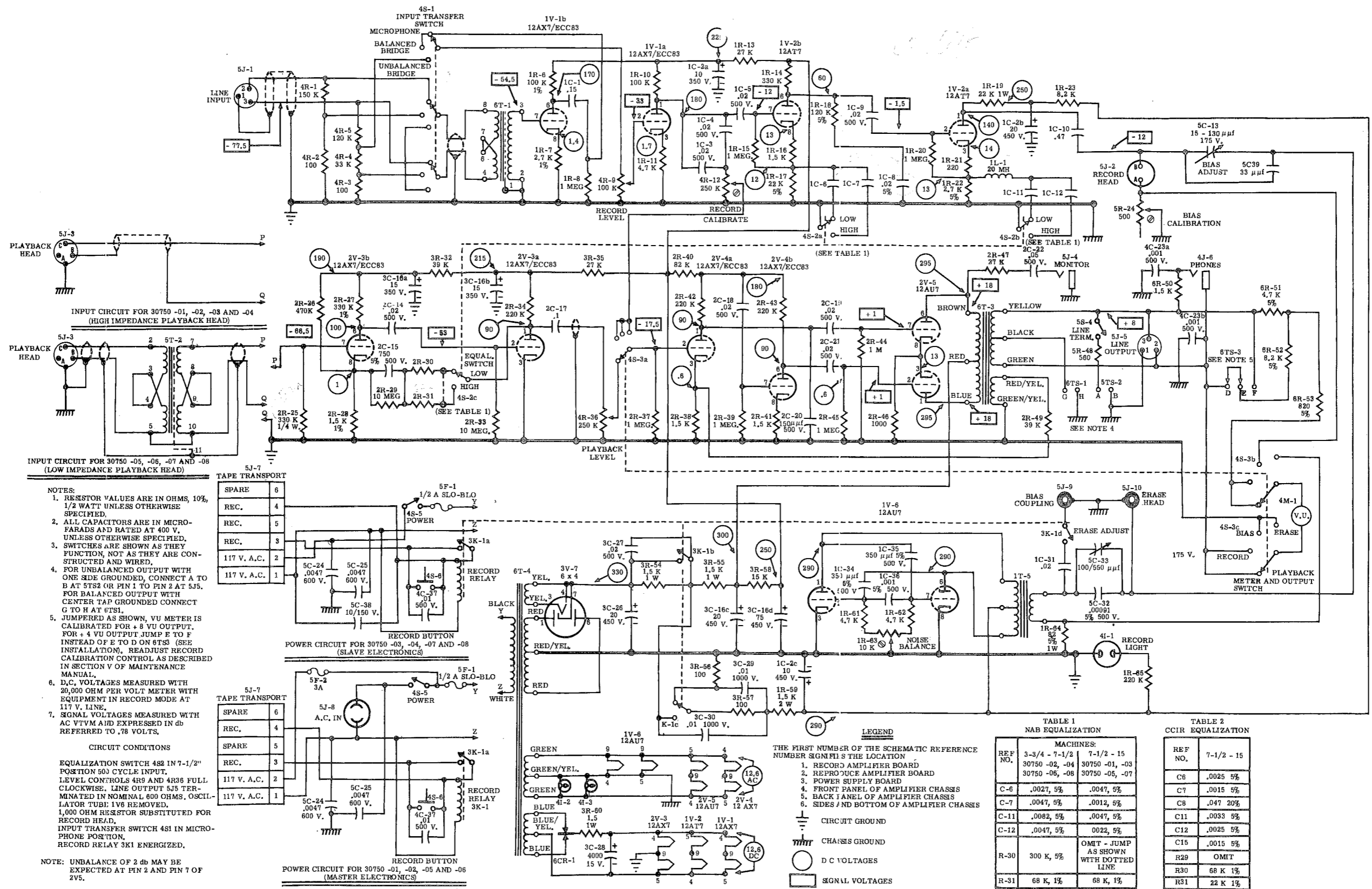


D-C CONTROL CIRCUIT

REF. NO.	PART DESCRIPTION	AMPEX PART NO.
4M1	METER, vu: frosted lamps 6.3 volt, .3 amp	30667-01
4R1	RESISTOR, fixed: composition, .15 meg, 1/2 watt; MIL-R-11A, RC20GF154K	041-074
4R2	RESISTOR, fixed: carbon, 100 ohm, 1/2 watt, 10%; MIL-R-11A, RC20GF101K	041-038
4R3	Same as R2	
4R4	RESISTOR, fixed: carbon, 33K ohm, 1/2 watt, 10%; MIL-R-11A, RC20GF333K	041-066
4R5	RESISTOR, fixed: carbon, .12 meg, 1/2 watt, 10%; MIL-R-11A, RC20GF124K	041-073
1R6	RESISTOR, fixed: film, .1 meg ± 1%, 1/2 watt; Electra Part No. Type DC-1/2	042-092
1R7	RESISTOR, fixed: film, 2700 ohm, 1/2 watt, 10%; MIL-R-10509A, RN15R2701F	042-123
1R8	RESISTOR, fixed: composition, 1 meg, 1/2 watt; MIL-R-11A, RC20GF105K	041-031
4R9	RESISTOR, variable: composition, .1 meg, 2 watts; AB Part No. JA1041	044-015
1R10	RESISTOR, fixed: composition, .1 meg, 1/2 watt; MIL-R-11A, RC20GF104K	041-072
1R11	RESISTOR, fixed: carbon, 4700 ohm, 1/2 watt, 10%; MIL-R-11A, RC20GF472K	041-056
4R12	RESISTOR, variable: carbon, .25 meg, 1/4 watt, 20%; CTC Part No. type PM-45	044-179
1R13	RESISTOR, fixed: carbon, 27K ohm, 1/2 watt, 10%; MIL-R-11A, RC20GF27K	041-065
1R14	RESISTOR, fixed: composition, .33 meg, 1/2 watt; MIL-R-11A, RC20GF334K	041-078
1R15	Same as R8	
1R16	RESISTOR, fixed: composition, 1500 ohm, 1/2 watt; MIL-R-11A, RC20GF152K	041-050
1R17	RESISTOR, fixed: carbon, 22K ohm, 1/2 watt, 5%; MIL-R-11A, RC20GF223J	041-016
1R18	RESISTOR, fixed: carbon, .12 meg, 1/2 watt, 5%; MIL-R-11A, RC20GF124J	041-318
1R19	RESISTOR, fixed: carbon, 22K ohm, 1 watt, 10%; MIL-R-11A, RC32GF223K124J	041-162
1R20	Same as R8	
1R21	RESISTOR, fixed: carbon, 220 ohm, 1/2 watt, 10%; MIL-R-11A, RC20GF221K	041-040
1R22	RESISTOR, fixed: carbon, 2700 ohm, 1/2 watt, 5%; MIL-R-11A, RC20GF272J	041-278
1R23	RESISTOR, fixed: carbon, 8200 ohm, 1/2 watt, 10%; MIL-R-11A, RC20GF822K	041-059
5R24	RESISTOR, variable: wirewound, 500 ohm, 2 watts, 20%; Claro Part No. 39-500	044-178
2R25	RESISTOR, fixed: carbon, .33 meg, 1/4 watt, 10%; Allen Bradley Part No. Type CB	041-325
2R26	RESISTOR, fixed: carbon, .47 meg, 1/2 watt, 10%; MIL-R-11A, RC20GF474K	041-080
2R27	RESISTOR, fixed: film, .33 meg ± 1%, 1/2 watt; Electra Part No. Type DC-1/2	042-100
2R28	RESISTOR, fixed: film, 1500 ohm, 1/2 watt, 1%; Electra Part No. Type DC-1/2	042-076
2R29	RESISTOR, fixed: film, 10 meg, 1/2 watt, 10%; MIL-R-11 RC20GF106K	041-090
2R30	RESISTOR, fixed: carbon, .30 meg, 1/2 watt, 5%; MIL-R-11A, RC20GF304J 3-3/4 - 7-1/2 ips Equipment	041-326
2R31	RESISTOR, fixed: film, 68K ohm, 1/2 watt, 1%; Electra Part No. Type DC-1/2	042-088
3R32	RESISTOR, fixed: carbon, 39K ohm, 1/2 watt, 10%; MIL-R-11A, RC20GF393K	041-067
2R33	Same as R29	
2R34	RESISTOR, fixed: carbon, .22 meg, 1/2 watt, 10%; MIL-R-11A, RC20GF224K	041-076
3R35	Same as R13	
4R36	RESISTOR, variable: carbon, .25 meg, 2 watts, 10%; AB Part No. CA2541, SD3056	044-128
2R37	Same as R8	
2R38	Same as R16	
2R39	Same as R8	
2R40	RESISTOR, fixed: carbon, 82K ohm, 1/2 watt, 10%; MIL-R-11A, RC20GF823K	041-071
2R41	Same as R16	
2R42	Same as R34	
2R43	Same as R34	
2R44	Same as R8	
2R45	Same as R8	
2R46	RESISTOR, fixed: carbon, 1K ohm, 1/2 watt, 10%; MIL-R-11A, RC20GF102K	041-048

REF. NO.	PART DESCRIPTION	AMPEX PART NO.
2R47	Same as R13	
5R48	RESISTOR, fixed: carbon, 560 ohm, 1/2 watt, 10%; MIL-R-11A, RC20GF561K	041-045
2R49	Same as R32	
6R50	RESISTOR, fixed: carbon, 1.5K ohm, 1/2 watt, 10%; MIL-R-11A, RC20GF152K	041-050
6R51	RESISTOR, fixed: carbon, 4.7K ohm, 1/2 watt, 10%; MIL-R-11A, RC20GF472J	041-013
6R52	RESISTOR, fixed: carbon, 8.2K ohm, 1/2 watt, 5%; MIL-R-11A, RC20GF822J	041-309
6R53	RESISTOR, fixed: carbon, 820 ohm, 1/2 watt, 5%; MIL-R-11A, RC20GF821J	041-317
3R54	RESISTOR, fixed: carbon, 1.5K ohm, 1 watt, 10%; MIL-R-11A, RC32GF152K	041-148
3R55	Same as R54	
3R56	Same as R2	041-055
3R57	Same as R2	
3R58	RESISTOR, fixed: carbon, 15K ohm, 1/2 watt, 10%; MIL-R-11A, RC20GF153K	041-062
1R59	RESISTOR, fixed: carbon, 1.5K ohm, 2 watts, 10%; MIL-R-11A, RC42GF152K	041-204
3R60	RESISTOR, fixed: wirewound; 1.5 ohm, 1 watt, 10% IRC Type BW-1	043-286
1R61	Same as R11	
1R62	Same as R11	
1R63	RESISTOR, variable: carbon, 10K ohm, 044-171, 1/4 watt, 30%; CTS Part No. UPM-45 SPEC3471	044-171
1R64	RESISTOR, fixed: carbon, 8.2 ohm, 1 watt, 5%; MIL-R-11A, RC32GF825J	041-319
1R65	Same as R34	041-076
4S1	SWITCH, rotary: INPUT TRANSFER, 3 position	30760-01
4S2	SWITCH, rotary: EQUALIZATION, 2 position	30761-01
4S3	SWITCH, rotary: METER AND OUTPUT, 4 position	30762-01
5S4	SWITCH, rotary: LINE TERM, 3P4T; Oak Part No. 59016-23	122-016
4S5	SWITCH, toggle: POWER, SPST; Carling Part No. 110-B-73	120-005
4S6	SWITCH, rotary: RECORD, pushbutton SPST, normally open; A H and H Part No. 3391BSA	120-013
6T1	TRANSFORMER, microphone input	17331-01
5T2	TRANSFORMER, input <u>Low Impedance Heads Only</u>	6299
6T3	TRANSFORMER, output	30633-01
6T4	TRANSFORMER, power	30634-01
1T5	TRANSFORMER, oscillator	30766-01
1V1	TUBE, electron: 12AX7	012-105
1V2	TUBE, electron: 12AT7	012-034
2V3	Same as V1	
2V4	Same as V1	
2V5	TUBE, electron: 12AU7	012-107
1V6	Same as V5	
3V7	TUBE, electron: 6X4	012-050
	*BOARD ASSEMBLY, power supply	30754-01
	*BOARD ASSEMBLY, record: 3-3/4 - 7-1/2 ips	30755-02
	*BOARD ASSEMBLY, reproduce: 7-1/2 - 15 ips	30755-01
	*BOARD ASSEMBLY, reproduce: 3-3/4 - 7-1/2 ips	30756-02
	*BOARD ASSEMBLY, reproduce: 7-1/2 - 15 ips	30756-01
	FACING PANEL	5711-2
	HARNES ASSEMBLY, master	30819-01
	HARNES ASSEMBLY, slave	30819-02
	KNOB, large, skirted: Reproduce and Record Level Control	230-004
	KNOB, small, skirted: Equalization and Output	230-003
	KNOB, small with pointer: Input and Line Termination	230-008
	POST, fuse; F1 and F2	085-001
	SHIELD, tube, for all except V7	160-012
	SHIELD, tube; V7	160-043
	SHOCKMOUNT	350-015
	SOCKET, tube: 7 pin	150-067
	SOCKET, tube: 9 pin	30818-01
	*Etched board assemblies are complete with all mounted components including tubes.	

REF. NO.	PART DESCRIPTION	AMPEX PART NO.
	ACCESSORIES	
	CABINET, console	5797
	CABLE ASSEMBLY, power interconnecting for rack mounted equipment	30812-01
	CABLE ASSEMBLY, power interconnecting for portable equipment	30812-02
	CABLE, bias interconnecting for dual track equipment	14943-02
	CABLE, extension	5795
	CABLE, power	2413
	CASE, portable, Electronic Assembly, single unit	4100
	CASE, portable, Electronic Assembly, dual track unit	3935
	CASE, tape transport	5727
	REEL ADAPTOR	976
	EDITING KNOB, console and portable	1917
	HOLD-DOWN KNOB, reel, for rack	9093
	REMOTE CONTROL UNIT, single track, complete with 30 foot cable	5763-0
	Remote Control Unit Parts	
	J701P CONNECTOR, receptacle: male, 10 contact; Jones Part No. P-310-AB	132-007
	A702 LAMP, REMOTE TAPE MOTION: Same as A701	
	LAMP BASE, green	132-007
	LAMP BASE, red	132-006
	A701 LAMP, REMOTE RECORD: 120 volts, 6 watts	060-006
	S701 PUSHBUTTON, fast forward	120-013
	S702 Same as S701, rewind	
	S703 PUSHBUTTON, STOP	120-014
	S704 Same as S701, START	
	S705 Same as S701, RECORD	
	REMOTE CONTROL UNIT, dual track, complete with 30 foot cable	5763-2
	REMOTE CONTROL PANEL, single track, unwired, less cable and box	5763-1
	REMOTE CONTROL PANEL, dual track, unwired, less cable and box	5763-3
	WOODBBOX, grey	3661-0



- NOTES:**
1. RESISTOR VALUES ARE IN OHMS, 10%, 1/2 WATT UNLESS OTHERWISE SPECIFIED.
 2. ALL CAPACITORS ARE IN MICRO-FARADS AND RATED AT 400 V, UNLESS OTHERWISE SPECIFIED.
 3. SWITCHES ARE SHOWN AS THEY FUNCTION, NOT AS THEY ARE CONSTRUCTED AND WIRED.
 4. FOR UNBALANCED OUTPUT WITH ONE SIDE GROUNDED, CONNECT A TO B AT 5T5 OR PIN 1 TO PIN 2 AT 5J5. FOR BALANCED OUTPUT WITH CENTER TAP GROUNDED CONNECT G TO H AT 5T5.
 5. JUMPERS AS SHOWN, VU METER IS CALIBRATED FOR +8 VU OUTPUT, FOR +4 VU OUTPUT JUMP F TO INSTEAD OF E TO D ON 6T5 (SEE INSTALLATION), READJUST RECORD CALIBRATION CONTROL AS DESCRIBED IN SECTION V OF MAINTENANCE MANUAL.
 6. D.C. VOLTAGES MEASURED WITH 20,000 OHM PER VOLT METER WITH EQUIPMENT IN RECORD MODE AT 117 V. LINE.
 7. SIGNAL VOLTAGES MEASURED WITH AC VTVM AND EXPRESSED IN db REFERRED TO .78 VOLTS.

CIRCUIT CONDITIONS

EQUALIZATION SWITCH 4S2 IN 7-1/2" POSITION 500 CYCLE INPUT, LEVEL CONTROLS 4R5 AND 4R36 FULL CLOCKWISE, LINE OUTPUT 5J5 TERMINATED IN NOMINAL 600 OHMS, OSCILLATOR TUBE 1V6 REMOVED, 1,000 OHM RESISTOR SUBSTITUTED FOR RECORD HEAD, INPUT TRANSFER SWITCH 4S1 IN MICROPHONE POSITION, RECORD RELAY 3K1 ENERGIZED.

NOTE: UNBALANCE OF 2 db MAY BE EXPECTED AT PIN 2 AND PIN 7 OF 2V5.

TAPE TRANSPORT

SPARE	6
REC.	4
REC.	5
REC.	3
117 V. A.C.	2
117 V. A.C.	1

TAPE TRANSPORT

SPARE	6
REC.	4
REC.	5
REC.	3
117 V. A.C.	2
117 V. A.C.	1

