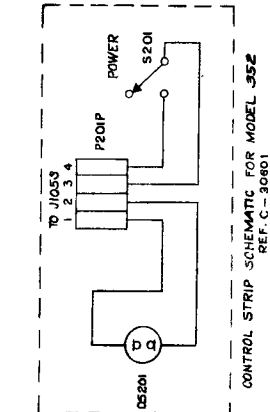
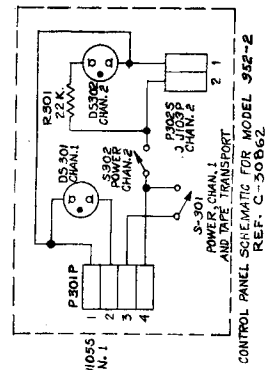
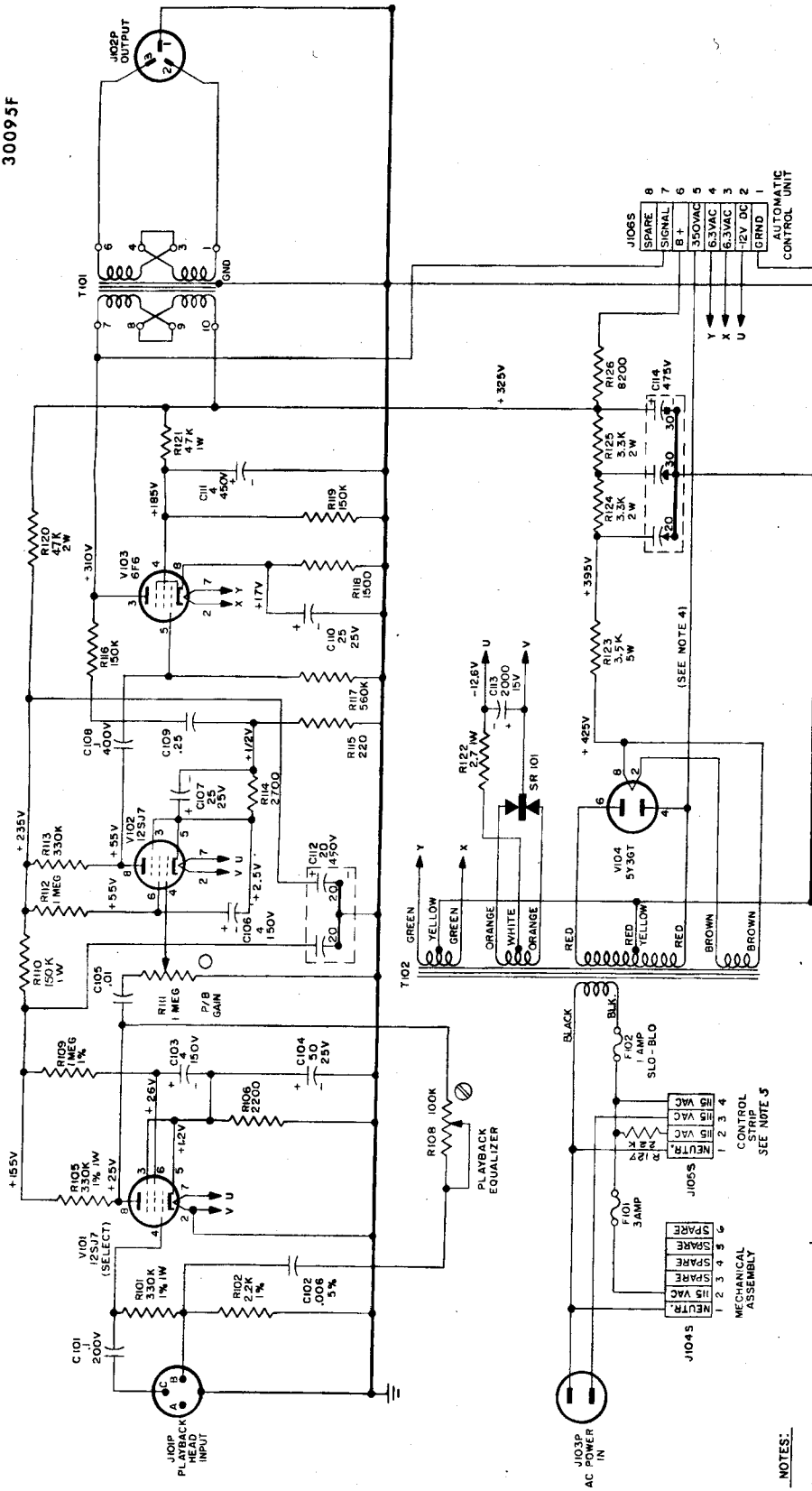
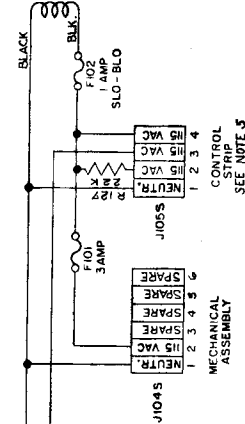


ELECTRONIC ASSEMBLY
CURRENT SCHEMATIC DIAGRAM
CATALOG NUMBER 30512
30095F



NOTES:

1. ALL RESISTORS IN OHMS AND RATED $\frac{1}{2}$ W. 10% UNLESS OTHERWISE SPECIFIED.
2. ALL CAPACITORS RATED IN MICROFARADS.
3. ALL VOLTAGES MEASURED WITH 20,000 OHMS/VOLT METER, WITH 15V AC LINE, AND AMPLIFIER CONNECTED TO TAPE TRANSPORT.
4. TRANSFORMER VOLTAGE AT PIN NO.5 OF J106S MUST BE IN PHASE WITH VOLTAGE AT PIN NO.3 OF J106S.
5. ON MODEL 352-2, CONNECT TAPE TRANSPORT TO J104S ON CHANNEL 1 ELECTRONICS. INSTALL DUMMY PLUG #30067 IN J106S ON CHANNEL 2.



T102 GREEN YELLOW GREEN ORANGE WHITE ORANGE RED RED YELLOW BROWN BROWN

SR 101

SEE NOTE 41

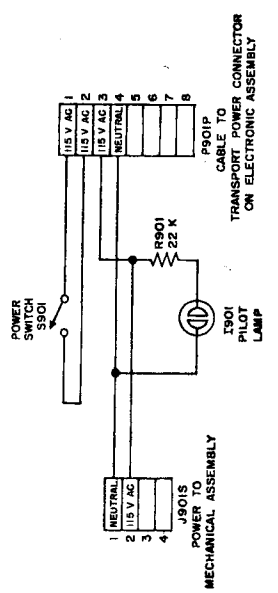
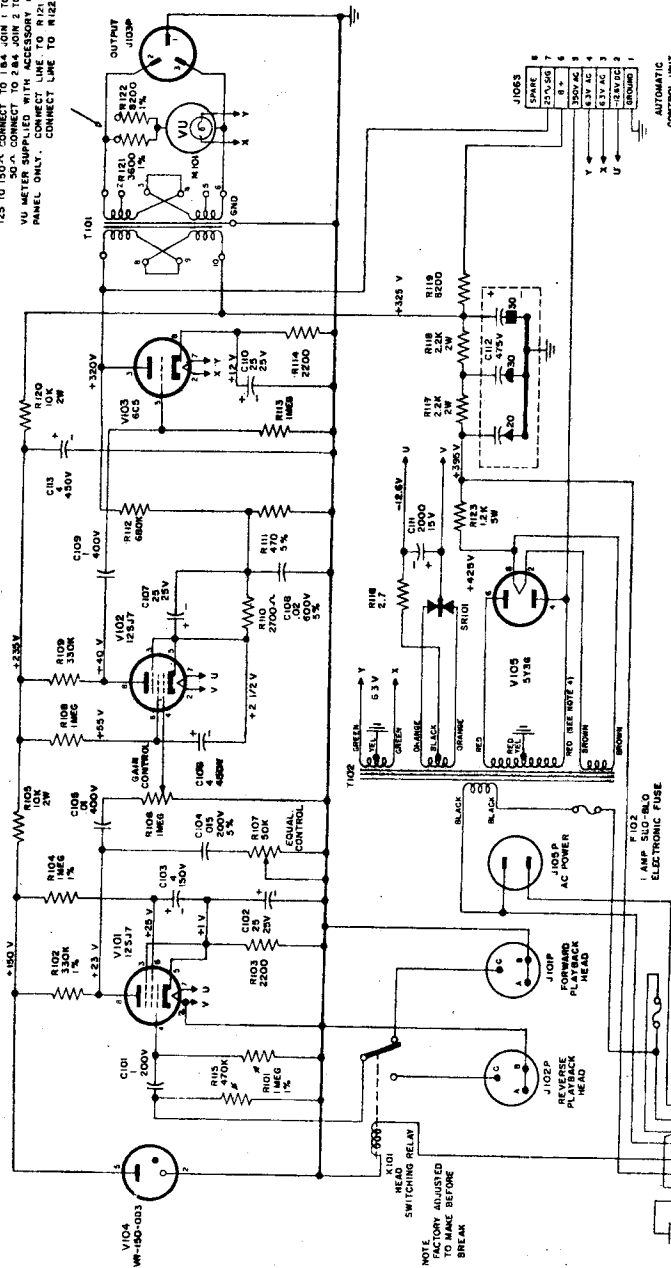
PLAYBACK EQUALIZER

MECHANICAL ASSEMBLY

SEE NOTE 5

ELECTRONIC ASSEMBLY
SCHEMATIC DIAGRAM
MODEL 352
(FORMERLY USED) ED 5593

T101 TRANSFORMER IMPEDANCE CONNECTIONS
500 TO 600A CONNECT TO 18.6 JOHN 3 TO 4
100 TO 250A CONNECT TO 18.6 JOHN 3 TO 4
200 TO 250A CONNECT TO 28.5 JOHN 3 TO 4
100 TO 150A CONNECT TO 18.4 JOHN 1 TO 3 & 4 TO 8
125 TO 150A CONNECT TO 18.4 JOHN 1 TO 3 & 4 TO 8
VU METERS: CONNECT TO 28.4 JOHN 2 TO 3 & 4 TO 8
VU METERS: CONNECT TO 28.4 JOHN 2 TO 3 & 4 TO 8
PANEL ONLY: CONNECT LINE TO R122 FOR +8VU.



POWER PANEL
CATALOG NO. 6120

- NOTES
1. ALL RESISTORS IN OHMS UNLESS NOTED OTHERWISE 10% UNLESS OTHERWISE SPECIFIED.
 2. ALL CAPACITORS IN MICROFARADS.
 3. ALL RELAYS SHOWN DE-ENERGIZED.
 4. IN PHASE WITH VOLTAGE AT PIN 3 OF J1048.
 5. ALL DC VOLTAGES MEASURED WITH 20,000 OHM PER VOLT METER WITH 105 V AC LINE B AMPLIFIER CONNECTED TO TAPE TRANSPORT. (WITHOUT AUTOMATIC CONTROL UNIT)