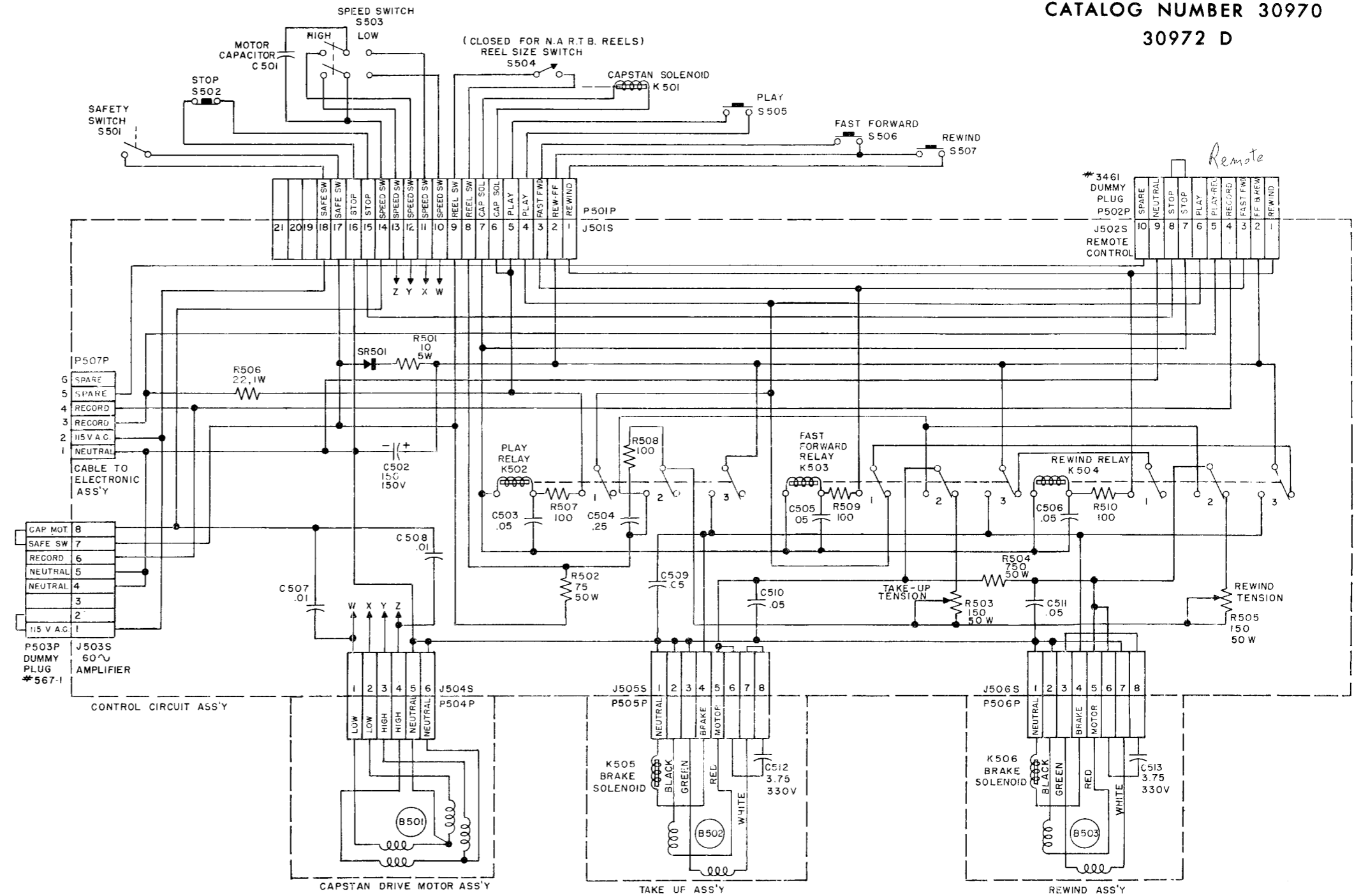


A-C CONTROL CIRCUIT

D-C CONTROL CIRCUIT

SIMPLIFIED CONTROL CIRCUIT SCHEMATIC MODEL 354 TAPE TRANSPORT

**SCHEMATIC DIAGRAM
MODEL 354 TAPE TRANSPORT
CONTROL CIRCUITS
CATALOG NUMBER 30970
30972 D**



NOTE
 1 ALL RESISTORS IN OHMS & RATED 1/2 WATT UNLESS OTHERWISE NOTED
 2 ALL CONDENSERS IN MICROFARADS AND RATED 400 V UNLESS OTHERWISE SPECIFIED.