

SINGLE CHANNEL RECORDER/REPRODUCER UNMOUNTED

	-01	-02	-07	-08	-13	-14	-19	-20		Ampex Part No.
	x								Recorder/Reproducer, 7-1/2 - 15 ips, Full Track, 60 cycle	4010035-01
		x							Recorder/Reproducer, 7-1/2 - 15 ips, Full Track, 50 cycle	4010035-02
			x						Recorder/Reproducer, 7-1/2 - 15 ips, Half Track, 60 cycle	4010035-07
				x					Recorder/Reproducer, 7-1/2 - 15 ips, Half Track, 50 cycle	4010035-08
					x				Recorder/Reproducer, 3-3/4 - 7-1/2 ips, Full Track, 60 cycle	4010035-13
						x			Recorder/Reproducer, 3-3/4 - 7-1/2 ips, Full Track, 50 cycle	4010035-14
							x		Recorder/Reproducer, 3-3/4 - 7-1/2 ips, Half Track, 60 cycle	4010035-19
								x	Recorder/Reproducer, 3-3/4 - 7-1/2 ips, Half Track, 50 cycle	4010035-20
	1	1	1	1	1	1	1	1	Electronics Assembly	4020251-01
	1	1	1	1	1	1	1	1	Equalizer, Assembly, 15 ips NAB	4020252-01
	1	1	1	1	1	1	1	1	Equalizer Assembly, 7-1/2 ips, NAB	4020252-02
					1	1	1	1	Equalizer Assembly, 3-3/4 ips	4020252-03
	1		1						Transport Assembly, 7-1/2 - 15 ips, 60 cycle	4020254-01
		1		1					Transport Assembly, 7-1/2 - 15 ips, 50 cycle	4020254-02
					1		1		Transport Assembly, 3-3/4 - 7-1/2 ips, 60 cycle	4020254-03
						1		1	Transport Assembly, 3-3/4 - 7-1/2 ips, 50 cycle	4020254-04
			1	1			1	1	Head Assembly, Single Channel, Half Track	4020261-01
	1	1			1	1			Head Assembly, Single Channel, Full Track	4020261-02
	2	2	2	2	2	2	2	2	Reel Knob Assembly	4040492-10
	1	1	1	1	1	1	1	1	Cable Assembly, Power	4050156-01
	2	2	2	2	2	2	2	2	Reel Hold Down Knob	4100137-10
	1	1	1	1	1	1	1	1	Reel Assembly, 10-1/2-inch	4690003-10
	1	1	1	1	1	1	1	1	Connector, Plug, 3 pin, female	144-003
	1	1	1	1	1	1	1	1	Connector, Plug, 3 pin, male	145-009
	1		1				1		Instruction Manual Package	4090014-01
		1		1		1		1	Instruction Manual Package	4090014-02

SINGLE CHANNEL RECORDER/REPRODUCER  
CONSOLE MOUNTED

	-03	-04	-09	-10	-15	-16	-21	-22		Ampex Part No.
	x								Recorder/Reproducer, 7 1/2 - 15 ips, Full Track, 60 cycle	4010035-03
		x							Recorder/Reproducer, 7 1/2 - 15 ips, Full Track, 50 cycle	4010035-04
			x						Recorder/Reproducer, 7 1/2 - 15 ips, Half Track, 60 cycle	4010035-09
				x					Recorder/Reproducer, 7 1/2 - 15 ips, Half Track, 50 cycle	4010035-10
					x				Recorder/Reproducer, 3 3/4 - 7 1/2 ips, Full Track, 60 cycle	4010035-15
						x			Recorder/Reproducer, 3 3/4 - 7 1/2 ips, Full Track, 50 cycle	4010035-16
							x		Recorder/Reproducer, 3 3/4 - 7 1/2 ips, Half Track, 60 cycle	4010035-21
								x	Recorder/Reproducer, 3 3/4 - 7 1/2 ips, Half Track, 50 cycle	4010035-22
	1	1	1	1	1	1	1	1	Electronics Assembly	4020251-01
	1	1	1	1	1	1	1	1	Equalizer Assembly, 15 ips, NAB	4020252-01
	1	1	1	1	1	1	1	1	Equalizer Assembly, 7 1/2 ips, NAB	4020252-02
					1	1	1	1	Equalizer Assembly, 3 3/4 ips	4020252-03
	1		1						Transport Assembly, 7 1/2 - 15 ips, 60 cycle	4020254-01
		1		1					Transport Assembly, 7 1/2 - 15 ips, 50 cycle	4020254-02
					1			1	Transport Assembly, 3 3/4 - 7 1/2 ips, 60 cycle	4020254-03
						1		1	Transport Assembly, 3 3/4 - 7 1/2 ips, 50 cycle	4020254-04
			1	1			1	1	Head Assembly, Single Channel, Half Track	4020261-01
	1	1			1	1			Head Assembly, Single Channel, Full Track	4020261-02
	2	2	2	2	2	2	2	2	Knob Assembly, Editing	4030145-10
	1	1	1	1	1	1	1	1	Console Assembly	4030246-01
	1	1	1	1	1	1	1	1	Panel, blank	4040857-01
	1	1	1	1	1	1	1	1	Cable Assembly, power	4050156-01
	1	1	1	1	1	1	1	1	Panel, Front Facing	4290563-01
	1	1	1	1	1	1	1	1	Reel Assembly, 10 1/2-inch	4690003-10
	1	1	1	1	1	1	1	1	Connector, Plug, 3 pin, female	144-003
	1	1	1	1	1	1	1	1	Connector, Plug, 3 pin, male	145-009
	1		1				1		Instruction Manual Package	4090014-01
		1		1		1		1	Instruction Manual Package	4090014-02

SINGLE CHANNEL RECORDER/REPRODUCER

PORTABLE

	-05	-06	-11	-12	-17	-18	-23	-24		Ampex Part No.
	x								Recorder/Reproducer, 7 1/2 - 15 ips, Full Track, 60 cycle	4010035-05
		x							Recorder/Reproducer, 7 1/2 - 15 ips, Full Track, 50 cycle	4010035-06
			x						Recorder/Reproducer, 7 1/2 - 15 ips, Half Track, 60 cycle	4010035-11
				x					Recorder/Reproducer, 7 1/2 - 15 ips, Half Track, 50 cycle	4010035-12
					x				Recorder/Reproducer, 3 3/4 - 7 1/2 ips, Full Track, 60 cycle	4010035-17
						x			Recorder/Reproducer, 3 3/4 - 7 1/2 ips, Full Track, 50 cycle	4010035-18
							x		Recorder/Reproducer, 3 3/4 - 7 1/2 ips, Half Track, 60 cycle	4010035-23
								x	Recorder/Reproducer, 3 3/4 - 7 1/2 ips, Half Track, 50 cycle	4010035-24
	1	1	1	1	1	1	1	1	Electronics Assembly	4020251-01
	1	1	1	1					Equalizer Assembly, 15 ips, NAB	4020252-01
	1	1	1	1	1	1	1	1	Equalizer Assembly, 7 1/2 ips, NAB	4020252-02
					1	1	1	1	Equalizer Assembly, 3 3/4 ips	4020252-03
	1		1						Transport Assembly, 7 1/2 - 15 ips, 60 cycle	4020254-01
		1		1					Transport Assembly, 7 1/2 - 15 ips, 50 cycle	4020254-02
					1		1		Transport Assembly, 3 3/4 - 7 1/2 ips, 60 cycle	4020254-03
						1		1	Transport Assembly, 3 3/4 - 7 1/2 ips, 50 cycle	4020254-04
			1	1			1	1	Head Assembly, Single Channel, Half Track	4020261-01
	1	1			1	1			Head Assembly, Single Channel, Full Track	4020261-02
	1	1	1	1	1	1	1	1	Case Assembly, Transport	4030154-01
	1	1	1	1	1	1	1	1	Case Assembly, Electronics	4150296-01
	2	2	2	2	2	2	2	2	Reel Knob Assembly	404092-10
	1	1	1	1	1	1	1	1	Cable Assembly, power	4050156-01
	1	1	1	1	1	1	1	1	Cable, Transport, Power Extension	4050382-01
	2	2	2	2	2	2	2	2	Reel Hold Down Knob	4100137-10
	1	1	1	1	1	1	1	1	Reel Assembly	4690003-10
	1	1	1	1	1	1	1	1	Connector, plug, 3 pin, female	144-003
	1	1	1	1	1	1	1	1	Connector, plug, 3 pin, male	145-009
	1		1		1		1		Instruction Manual Package	4090014-01
		1		1		1		1	Instruction Manual Package	4090014-02

TWO CHANNEL RECORDER/REPRODUCER  
UNMOUNTED

	-01	-02	-07	-08	-13	-14	-19	-20		Ampex Part No.
	x								Recorder/Reproducer, 7 1/2 - 15 ips, 60 cycle, STD. head	4010036-01
		x							Recorder/Reproducer, 7 1/2 - 15 ips, 50 cycle, STD. head	4010036-02
			x						Recorder/Reproducer, 3 3/4 - 7 1/2 ips, 60 cycle, STD. head	4010036-07
				x					Recorder/Reproducer, 3 3/4 - 7 1/2 ips, 50 cycle, STD. head	4010036-08
					x				Recorder/Reproducer, 7 1/2 - 15 ips, 60 cycle, 4 pos. head	4010036-13
						x			Recorder/Reproducer, 7 1/2 - 15 ips, 50 cycle, 4 pos. head	4010036-14
							x		Recorder/Reproducer, 3 3/4 - 7 1/2 ips, 60 cycle, 4 pos. head	4010036-19
								x	Recorder/Reproducer, 3 3/4 - 7 1/2 ips, 50 cycle, 4 pos. head	4010036-20
	1	1	1	1	1	1	1	1	Electronics Assembly, Master	4020251-01
	1	1	1	1	1	1	1	1	Electronics Assembly, Slave	4020251-02
	2	2	2	2	2	2	2	2	Equalizer Assembly, 15 ips, NAB	4020252-01
	2	2	2	2	2	2	2	2	Equalizer Assembly, 7-1/2 ips, NAB	4020252-02
			2	2	2	2	2	2	Equalizer Assembly, 3-3/4 ips	4020252-03
	1				1				Transport Assembly, 7-1/2 - 15 ips, 60 cycle	4020254-01
		1				1			Transport Assembly, 7-1/2 - 15 ips, 50 cycle	4020254-02
			1				1		Transport Assembly, 3-3/4 - 7-1/2 ips, 60 cycle	4020254-03
				1				1	Transport Assembly, 3-3/4 - 7-1/2 ips, 50 cycle	4020254-04
	1	1	1	1					Head Assembly, 2 channel, standard	4020262-01
					1	1	1	1	Head Assembly, 4 position	02-96620-05
	2	2	2	2	2	2	2	2	Reel Knob Assembly	4040492-10
	1	1	1	1	1	1	1	1	Cable Assembly, Power	4050156-01
	1	1	1	1	1	1	1	1	Cable Assembly, Bias Coupling	4050160-02
	1	1	1	1	1	1	1	1	Cable Assembly, Power Interconnecting	4050381-01
	2	2	2	2	2	2	2	2	Reel Hold Down Knob	4100137-10
	1	1	1	1	1	1	1	1	Reel Assembly, 10-1/2 -inch	4690003-10
	2	2	2	2	2	2	2	2	Connector, Plug, 3 pin, female	144-003
	2	2	2	2	2	2	2	2	Connector, plug, 3 pin, male	145-009
	1		1		1		1		Instruction Manual Package	4090114-01
		1		1		1		1	Instruction Manual Package	4090114-02

TWO CHANNEL RECORDER/REPRODUCER

CONSOLE MOUNTED

	-03	-04	-09	-10	-15	-16	-21	-22		Ampex Part No.
	x								Recorder/Reproducer, 7 1/2 - 15 ips, 60 cycle, STD. head	4010036-03
		x							Recorder/Reproducer, 7 1/2 - 15 ips, 50 cycle, STD. head	4010036-04
			x						Recorder/Reproducer, 3 3/4 - 7 1/2 ips, 60 cycle, STD. head	4010036-09
				x					Recorder/Reproducer, 3 3/4 - 7 1/2 ips, 50 cycle, STD. head	4010036-10
					x				Recorder/Reproducer, 7 1/2 - 15 ips, 60 cycle, 4 position head	4010036-15
						x			Recorder/Reproducer, 7 1/2 - 15 ips, 50 cycle, 4 position head	4010036-16
							x		Recorder/Reproducer, 3 3/4 - 7 1/2 ips, 60 cycle, 4 position head	4010036-21
								x	Recorder/Reproducer, 3 3/4 - 7 1/2 ips, 50 cycle, 4 position head	4010036-22
1	1	1	1	1	1	1	1	1	Electronics Assembly, master	4020251-01
1	1	1	1	1	1	1	1	1	Electronics Assembly, slave	4020251-02
2	2				2	2			Equalizer Assembly, 15 ips, NAB	4020252-01
2	2	2	2	2	2	2	2	2	Equalizer Assembly, 7 1/2 ips, NAB	4020252-02
			2	2				2	Equalizer Assembly, 3 3/4 ips	4020252-03
1				1					Transport Assembly, 7 1/2 - 15 ips, 60 cycle	4020254-01
	1					1			Transport Assembly, 7 1/2 - 15 ips, 50 cycle	4020254-02
		1					1		Transport Assembly, 3 3/4 - 7 1/2 ips, 60 cycle	4020254-03
			1					1	Transport Assembly, 3 3/4 - 7 1/2 ips, 50 cycle	4020254-04
1	1	1	1	1					Head Assembly, 2 channel, Standard	4020262-01
					1	1	1	1	Head Assembly, 4 position	02-96620-05
2	2	2	2	2	2	2	2	2	Knob Assembly, Editing	4030145-10
1	1	1	1	1	1	1	1	1	Console Assembly	4030246-01
1	1	1	1	1	1	1	1	1	Cable Assembly, power	4050156-01
1	1	1	1	1	1	1	1	1	Cable Assembly, bias coupling	4050160-02
1	1	1	1	1	1	1	1	1	Cable Assembly, power interconnecting	4050381-02
1	1	1	1	1	1	1	1	1	Reel Assembly, 10 1/2 inch	4690003-10
2	2	2	2	2	2	2	2	2	Connector, plug, 3 pin, female	144-003
2	2	2	2	2	2	2	2	2	Connector, plug, 3 pin, male	145-009
1		1		1			1		Instruction Manual Package	4090014-01
	1		1		1			1	Instruction Manual Package	4090014-02

TWO CHANNEL RECORDER/REPRODUCER  
PORTABLE

	-05	-06	-11	-12	-17	-18	-23	-24		Ampex Part No.
	x								Recorder/Reproducer, 7 1/2 - 15 ips, 60 cycle, STD. head	4010036-05
		x							Recorder/Reproducer, 7 1/2 - 15 ips, 50 cycle, STD. head	4010036-06
			x						Recorder/Reproducer, 3 3/4 - 7 1/2 ips, 60 cycle, STD. head	4010036-11
				x					Recorder/Reproducer, 3 3/4 - 7 1/2 ips, 50 cycle, STD. head	4010036-12
					x				Recorder/Reproducer, 7 1/2 - 15 ips, 60 cycle, 4 pos. head	4010036-17
						x			Recorder/Reproducer, 7 1/2 - 15 ips, 50 cycle, 4 pos. head	4010036-18
							x		Recorder/Reproducer, 3 3/4 - 7 1/2 ips, 60 cycle, 4 pos. head	4010036-23
								x	Recorder/Reproducer, 3 3/4 - 7 1/2 ips, 50 cycle, 4 pos. head	4010036-24
	1	1	1	1	1	1	1	1	Electronics Assembly, master	4020251-01
	1	1	1	1	1	1	1	1	Electronics Assembly, slave	4020251-02
	2	2			2	2			Equalizer Assembly, 15 ips, NAB	4020252-01
	2	2	2	2	2	2	2	2	Equalizer Assembly, 7 1/2 ips, NAB	4020252-02
			2	2			2	2	Equalizer Assembly, 3 3/4 ips	4020252-03
	1				1				Transport Assembly, 7 1/2 - 15 ips, 60 cycle	4020254-01
		1							Transport Assembly, 7 1/2 - 15 ips, 50 cycle	4020254-02
			1				1		Transport Assembly, 3 3/4 - 7 1/2 ips, 60 cycle	4020254-03
				1				1	Transport Assembly, 3 3/4 - 7 1/2 ips, 50 cycle	4020254-04
	1	1	1	1					Head Assembly, 2 channel, Standard	4020262-01
					1	1	1	1	Head Assembly, 4 position	02-96620-05
	1	1	1	1	1	1	1	1	Case Assembly, Transport	403154-01
	1	1	1	1	1	1	1	1	Case Assembly, Electronics	4150297-01
	2	2	2	2	2	2	2	2	Reel Knob Assembly	4040492-10
	1	1	1	1	1	1	1	1	Cable Assembly, power	4050156-01
	1	1	1	1	1	1	1	1	Cable Assembly, bias coupling	4050160-02
	1	1	1	1	1	1	1	1	Cable Assembly, power interconnecting	4050381-02
	2	2	2	2	2	2	2	2	Reel Hold Down Knob	4100137-10
	1	1	1	1	1	1	1	1	Reel Assembly, 10 1/2 inch	4690003-10
	2	2	2	2	2	2	2	2	Connector, plug, 3 pin, female	144-003
	2	2	2	2	2	2	2	2	Connector, plug, 3 pin, male	145-009
	1		1		1		1	1	Instruction Manual Package	4090014-01
		1		1		1		1	Instruction Manual Package	4090014-02

SINGLE CHANNEL REPRODUCER UNMOUNTED

	-01	-02	-07	-08	-13	-14	-19	-20		Ampex Part No.
	x								Reproducer, 7-1/2 - 15 ips, Full Track, 60 cycle	4010037-01
		x							Reproducer, 7-1/2 - 15 ips, Full Track, 50 cycle	4010037-02
			x						Reproducer, 7-1/2 - 15 ips, Half Track, 60 cycle	4010037-07
				x					Reproducer, 7-1/2 - 15 ips, Half Track, 50 cycle	4010037-08
					x				Reproducer, 3-3/4 - 7-1/2 ips, Full Track, 60 cycle	4010037-13
						x			Reproducer, 3-3/4 - 7-1/2 ips, Full Track, 50 cycle	4010037-14
							x		Reproducer, 3-3/4 - 7-1/2 ips, Half Track, 60 cycle	4010037-19
								x	Reproducer, 3-3/4 - 7-1/2 ips, Half Track, 50 cycle	4010037-20
	1	1	1	1	1	1	1	1	Electronics Assembly	4020265-01
	1		1						Transport Assembly, 7-1/2 - 15 ips, 60 cycle	4020254-01
		1		1					Transport Assembly, 7-1/2 - 15 ips, 50 cycle	4020254-02
					1		1		Transport Assembly, 3-3/4 - 7-1/2, 60 cycle	4020254-03
						1		1	Transport Assembly, 3-3/4 - 7-1/2, 50 cycle	4020254-04
			1	1			1	1	Head Assembly, Single Channel, Half Track	4020261-03
	1	1			1	1			Head Assembly, Single Channel, Full Track	4020261-04
	2	2	2	2	2	2	2	2	Reel Knob Assembly	4040492-10
	1	1	1	1	1	1	1	1	Cable Assembly, Power	4050156-01
	2	2	2	2	2	2	2	2	Reel Hold Down Knob	4100137-10
	1	1	1	1	1	1	1	1	Reel Assembly	4690003-10
	1	1	1	1	1	1	1	1	Connector, Plug, 3 pin, female	144-003
	1		1		1		1		Instruction Manual Package	4090019-01
		1		1		1		1	Instruction Manual Package	4090019-02

SINGLE CHANNEL REPRODUCER CONSOLE MOUNTED

	-03	-04	-09	-10	-15	-16	-21	-22		Ampex Part No.
	x								Reproducer, 7-1/2 - 15 ips, Full Track, 60 cycle	4010037-03
		x							Reproducer, 7-1/2 - 15 ips, Full Track, 50 cycle	4010037-04
			x						Reproducer, 7-1/2 - 15 ips, Half Track, 60 cycle	4010037-09
				x					Reproducer, 7-1/2 - 15 ips, Half Track, 50 cycle	4010037-10
					x				Reproducer, 3-3/4 - 7-1/2 ips, Full Track, 60 cycle	4010037-15
						x			Reproducer, 3-3/4 - 7-1/2 ips, Full Track, 50 cycle	4010037-16
							x		Reproducer, 3-3/4 - 7-1/2 ips, Half Track, 60 cycle	4010037-21
								x	Reproducer, 3-3/4 - 7-1/2 ips, Half Track, 50 cycle	4010037-22
	1	1	1	1	1	1	1	1	Electronics Assembly	4020265-01
	1		1						Transport Assembly, 7-1/2 - 15 ips, 60 cycle	4020254-01
		1		1					Transport Assembly, 7-1/2 - 15 ips, 50 cycle	4020254-02
				1			1		Transport Assembly, 3-3/4 - 7-1/2 ips, 60 cycle	4020254-03
					1			1	Transport Assembly, 3-3/4 - 7-1/2 ips, 50 cycle	4020254-04
	1	1	1	1	1	1	1	1	Head Assembly, Single Channel, Half Track	4020261-03
					1	1			Head Assembly, Single Channel, Full Track	4020261-04
	2	2	2	2	2	2	2	2	Knob Assembly, Editing	4030145-10
	1	1	1	1	1	1	1	1	Console Assembly	4030246-01
	1	1	1	1	1	1	1	1	Panel Assembly, Blank	4040857-01
	1	1	1	1	1	1	1	1	Cable Assembly, Power	4050156-01
	1	1	1	1	1	1	1	1	Reel Assembly	4690003-10
	1	1	1	1	1	1	1	1	Connector, Plug, 3 pin, female	144-003
	1	1	1	1	1	1	1	1	Panel, Front Facing	4290563-01
	1		1	1	1		1	1	Instruction Manual Package	4090019-01
		1		1		1		1	Instruction Manual Package	4090019-02



SINGLE CHANNEL REPRODUCER - PORTABLE

	-05	-06	-11	-12	-17	-18	-23	-24		Ampex Part No.
	x								Reproducer, 7-1/2 - 15 ips, Full Track, 60 cycle	4010037-05
		x							Reproducer, 7-1/2 - 15 ips, Full Track, 50 cycle	4010037-06
			x						Reproducer, 7-1/2 - 15 ips, Half Track, 60 cycle	4010037-11
				x					Reproducer, 7-1/2 - 15 ips, Half Track, 50 cycle	4010037-12
					x				Reproducer, 3-3/4 - 7-1/2 ips, Full Track, 60 cycle	4010037-17
						x			Reproducer, 3-3/4 - 7-1/2 ips, Full Track, 50 cycle	4010037-18
							x		Reproducer, 3-3/4 - 7-1/2 ips, Half Track, 60 cycle	4010037-23
								x	Reproducer, 3-3/4 - 7-1/2 ips, Half Track, 50 cycle	4010037-24
	1	1	1	1	1	1	1	1	Electronics Assembly	4020265-01
	1		1						Transport Assembly, 7-1/2 - 15 ips, 60 cycle	4020254-01
		1		1					Transport Assembly, 7-1/2 - 15 ips, 50 cycle	4020254-02
				1					Transport Assembly, 3-3/4 - 7-1/2 ips, 60 cycle	4020254-03
					1			1	Transport Assembly, 3-3/4 - 7-1/2 ips, 50 cycle	4020254-04
			1	1				1	Head Assembly, Single Channel, Half Track	4020261-03
	1	1			1	1			Head Assembly, Single Channel, Full Track	4020261-04
	1	1	1	1	1	1	1	1	Case Assembly, Transport	4030154-01
	1	1	1	1	1	1	1	1	Case Assembly, Electronics	4150296-01
	2	2	2	2	2	2	2	2	Reel Knob Assembly	4040492-10
	1	1	1	1	1	1	1	1	Cable Assembly, Power	4050156-01
	1	1	1	1	1	1	1	1	Cable Assembly, Transport Power	4050382-01
	2	2	2	2	2	2	2	2	Reel Hold Down Knob	4100137-10
	1	1	1	1	1	1	1	1	Reel Assembly	4690003-10
	1	1	1	1	1	1	1	1	Connector, Plug, 3 pin, female	144-003
	1		1		1			1	Instruction Manual Package	4090019-01
		1		1		1		1	Instruction Manual Package	4090019-02

TWO CHANNEL REPRODUCER  
UNMOUNTED

	-01	-02	-07	-08		Ampex Part No.
	x				Reproducer, 7-1/2 - 15 ips, 60 cycle	4010038-01
		x			Reproducer, 7-1/2 - 15 ips, 50 cycle	4010038-02
			x		Reproducer, 3-3/4 - 7-1/2 ips, 60 cycle	4010038-07
				x	Reproducer, 3-3/4 - 7-1/2 ips, 50 cycle	4010038-08
1	1	1	1	1	Electronics Assembly, 2 channel	4020265-02
1					Transport Assembly, 7-1/2 - 15 ips, 60 cycle	4020254-01
	1				Transport Assembly, 7-1/2 - 15 ips, 50 cycle	4020254-02
			1		Transport Assembly, 3-3/4 - 7-1/2 ips, 60 cycle	4020254-03
				1	Transport Assembly, 3-3/4 - 7-1/2 ips, 50 cycle	4020254-04
1	1	1	1	1	Head Assembly, 2 channel, (2 track + 1/4 track)	4020266-01
2	2	2	2	2	Reel Knob Assembly	4040492-10
1	1	1	1	1	Cable Assembly, Power	4050156-01
2	2	2	2	2	Reel Hold Down Knob	4100137-10
1	1	1	1	1	Reel Assembly	4690003-10
2	2	2	2	2	Connector, Plug, 3 pin, female	144-003
1		1			Instruction Manual Package	4090019-01
	1			1	Instruction Manual Package	4090019-02

TWO CHANNEL REPRODUCER  
CONSOLE MOUNTED

	-03	-04	-09	-10		Ampex Part No.
	x				Reproducer, 7-1/2 - 15 ips, 60 cycle	4010038-03
		x			Reproducer, 7-1/2 - 15 ips, 50 cycle	4010038-04
			x		Reproducer, 3-3/4 - 7-1/2 ips, 60 cycle	4010038-09
				x	Reproducer, 3-3/4 - 7-1/2 ips, 50 cycle	4010038-10
	1	1	1	1	Electronic Assembly, 2 channel	4020265-02
	1				Transport Assembly, 7-1/2 - 15 ips, 60 cycle	4020254-01
		1			Transport Assembly, 7-1/2 - 15 ips, 50 cycle	4020254-02
			1		Transport Assembly, 3-3/4 - 7-1/2 ips, 60 cycle	4020254-03
				1	Transport Assembly, 3-3/4 - 7-1/2 ips, 50 cycle	4020254-04
	1	1	1	1	Head Assembly, 2 channel (2 track + 1/4 track)	4020266-01
	2	2	2	2	Knob Assembly, Editing	4030145-10
	1	1	1	1	Console Assembly	4030246-01
	1	1	1	1	Panel Assembly, Blank	4040857-01
	1	1	1	1	Cable Assembly, Power	4050156-01
	1	1	1	1	Panel, Front Facing	4290563-01
	1	1	1	1	Reel Assembly	4690003-10
	2	2	2	2	Connector Plug, 3 pin, female	144-003
	1		1		Instruction Manual Package	4090019-01
		1		1	Instruction Manual Package	4090019-02

TWO CHANNEL REPRODUCER  
PORTABLE

	-05	-06	-11	-12		Ampex Part No.
	x				Reproducer, 7-1/2 - 15 ips, 60 cycle	4010038-05
		x			Reproducer, 7-1/2 - 15 ips, 50 cycle	4010038-06
			x		Reproducer, 3-3/4 - 7-1/2 ips, 60 cycle	4010038-11
				x	Reproducer, 3-3/4 - 7-1/2 ips, 50 cycle	4010038-12
	1	1	1	1	Electronic Assembly, 2 channel	4020265-02
	1				Transport Assembly, 7-1/2 - 15 ips, 60 cycle	4020254-01
		1			Transport Assembly, 7-1/2 - 15 ips, 50 cycle	4020254-02
			1		Transport Assembly, 3-3/4 - 7-1/2 ips, 60 cycle	4020254-03
				1	Transport Assembly, 3-3/4 - 7-1/2 ips, 50 cycle	4020254-04
	1	1	1	1	Head Assembly, 2 Channel (2 track + 1/4 track)	4020266-01
	1	1	1	1	Case Assembly, Transport	4030154-01
	1	1	1	1	Case Assembly, Electronics	4150296-01
	2	2	2	2	Reel Knob Assembly	4040492-10
	1	1	1	1	Cable Assembly, Power	4050156-01
	1	1	1	1	Cable Assembly, Transport Power	4050382-01
	2	2	2	2	Reel Hold Down Knob	4100137-10
	1	1	1	1	Reel Assembly	4690003-10
	2	2	2	2	Connector, Plug, 3 pin, female	144-003
	1		1		Instruction Manual Package	4090019-01
		1		1	Instruction Manual Package	4090019-02

TAPE TRANSPORT ASSEMBLY

Item	Fig. No.	-01	-02	-03	-04		Ampex Part No.
	7-9	x				Tape Transport Assembly, 7-1/2 - 15 ips, 60 cycle	4020254-01
	7-9		x			Tape Transport Assembly, 7-1/2 - 15 ips, 50 cycle	4020254-02
	7-9			x		Tape Transport Assembly, 3-3/4 - 7-1/2 ips, 60 cycle	4020254-03
	7-9				x	Tape Transport Assembly, 3-3/4 - 7-1/2 ips, 50 cycle	4020254-04
2	7-9	1	1	1	1	Transport Control Box Assembly, (see separate Parts List)	4020204-40
3	7-9	1	1	1	1	Solenoid Assembly, Capstan Idler	4030112-10
		1	1	1	1	Stop, Solenoid	4220139-20
		1	1	1	1	Spring, Solenoid Return	4270161-10
		1	1	1	1	Spring, Idler Adjusting	4270162-10
		1	1	1	1	Bolt, Eye	4400496-30
		1	1	1	1	Solenoid	4590063-10
		2	2	2	2	Connector, Solderless	171-008
		1	1	1	1	Clevis Pin, 1/8 dia. x 17/32	400-009
		1	1	1	1	Cotter Pin, 1/16 dia. x 1/2	401-005
4	7-9	1	1			Capstan Idler Assembly	4030203-10
5	7-9			1	1	Capstan Idler Assembly	4030203-40
		1	1			Wheel Assembly	4040404-10
				1	1	Wheel Assembly	4040404-50
		1	1	1	1	Cap, Capstan Idler	4100166-10
		1	1	1	1	Shaft	4210189-10
		1	1	1	1	Lock Ring	4320112-10
		1	1	1	1	Washer, Thrust	4440027-10
		1	1	1	1	Washer, Felt	4440239-10
6	7-9	1	1	1	1	Takeup Tension Arm Assembly	4030242-01
1	7-10	1	1	1	1	Arm Assembly	4040405-40
3	7-10	1	1	1	1	Guide Tape	4210183-20
5	7-10	1	1	1	1	Shaft, Takeup Tension Arm	4210185-10
6	7-10	1	1	1	1	Collar, Shaft	4220138-10
7	7-10	1	1	1	1	Hook, Tape Guide	4230158-10
8	7-10	1	1	1	1	Cap, Takeup Tension Arm	4250193-01
9	7-10	1	1	1	1	Spring, Arm Return	4270158-10
11	7-10	1	1	1	1	Base, Takeup Tension Arm	4330104-10
12	7-10	A/R	A/R	A/R	A/R	Shim, brass, .005	4440235-10
13	7-10	A/R	A/R	A/R	A/R	Shim, brass, .003	4440024-60
16	7-10	1	1	1	1	Pin, .0625 dia. x 7/8	403-001
17	7-10	2	2	2	2	Pin, .094 dia. x 3/8	406-013
18	7-10	2	2	2	2	Screw, 4-40 x 1/4	471-598
7	7-9	1	1	1	1	Rewind Assembly	4030247-01
		1	1	1	1	Rewind Assembly (Alternate)	4030247-02
		1	1	1	1	Rewind Assembly (Alternate)	4030247-03
		1	1	1	1	Brake Assembly, Rewind	4030114-20
1	7-11	1	1	1	1	Band Assembly	4040414-10
2	7-12	1	1	1	1	Spacer	4220141-10
2	7-12	2	2	2	2	Link, Brake Band	4230161-10
3	7-12	2	2	2	2	Lever, Brake Band	4230162-10
4	7-12	1	1	1	1	Link, Solenoid	4230163-10
5	7-12	2	2	2	2	Bracket, Solenoid	4260183-10
6	7-12	1	1	1	1	Stop, Solenoid	4260184-10
7	7-12	1	1	1	1	Spring, Compression	4270163-10
8	7-12	2	2	2	2	Spring, Leaf	4270164-10
9	7-12	1	1	1	1	Spring, Brake	4270178-10
10	7-12	1	1	1	1	Cross Head, Brake	4330109-10
11	7-12	1	1	1	1	Anchor Brake	4330110-10
12	7-12	1	1	1	1	Housing, Brake	4330112-10
13	7-12	1	1	1	1	Clamp, Band Link	4330113-10
14	7-12	2	2	2	2	Bolt, Spade	4440496-60
15	7-12	1	1	1	1	Solenoid	4590067-10
16	7-12	1	1	1	1	Connector, Solderless	171-008
20	7-12	2	2	2	2	Clevis Pin, 1/8 dia. x 9/32	400-002
21	7-12	1	1	1	1	Clevis Pin, 1/8 dia. x 15/32	400-007
22	7-12	1	1	1	1	Cotter Pin, 1/16 dia. x 1/2	401-005
23	7-12	2	2	2	2	Drive Lock Pin, 1/8 dia. x 1/2	403-008
24	7-12	2	2	2	2	Roll Pin, 1/8 dia. x 7/8	406-042
25	7-12	1	1	1	1	Motor Assembly, Torque, (G. E.)	4040804-50
3	7-11	1	1	1	1	Motor Assembly, Torque (Bodine -- Alternate)	4040804-60
3	7-11	1	1	1	1	Drum, Brake	4250112-10
1	7-13	1	1	1	1	Flange Motor	4330115-10
2	7-13	1	1	1	1	Motor, Torque, Bodine (Alternate)	4590064-10
4	7-13	1	1	1	1	Motor, Torque, G. E.	4590107-10
8	7-13	1	1	1	1	Roll Pin, 3/32 dia. x 3/4	406-006
11	7-13	2	2	2	2	Turntable	4250189-01
15	7-13	1	1	1	1	Capacitor, 3.75 mfd (Bodine Motor)	4050336-30
7	7-11	1	1	1	1	Capacitor, 4 mfd (Bodine Motor, 50 cycle)	4050336-40
8	7-11	1	1	1	1	Capacitor, 10 mfd (G. E. motor)	4050361-10
9	7-11	1	1	1	1	Pad, Turntable	4130163-01
10	7-11	1	1	1	1	Spacer, Motor Flange (Bodine Motor)	4220140-10
11	7-11	1	1	1	1	Drive Plate, Reel	4320128-10
12	7-11	1	1	1	1		

TAPE TRANSPORT ASSEMBLY  
(Continued)

Item	Fig. No.	-01	-02	-03	-04		Ampex Part No.
17	7-11	1	1	1	1	Connector, 8 pin, Jones )-308-CCT-L	145-013
18	7-11	4	4	4	4	Connector, Solderless	171-008
8	7-9	1	1	1	1	Takeup Assembly	4030248-01
8	7-9	1	1	1	1	Takeup Assembly (Alternate)	4030248-02
						Brake Assembly (Parts same as Rewind Assembly)	4030114-10
						Motor Assembly, Torque (G.E.)	4040804-50
						Motor Assembly, Torque (Bodine -- Alternate) (Parts same as Rewind Assembly)	4040804-60
						(All other parts same as Rewind Assembly)	
9	7-9			1	1	Dust Cap Assembly, Capstan	4040406-10
10	7-9	1	1			Dust Cap Assembly, Capstan	4040406-20
		1	1			Dust Cap, Capstan	4100127-10
				1	1	Escutcheon Cap, Capstan	4100128-10
		1	1	1	1	Washer, Felt	4440237-20
		1	1	1	1	O Ring	432-007
11	7-9			1	1	Reel Idler Subassembly	4040407-16
12	7-9	1	1			Reel Idler Subassembly	4040407-17
				1	1	Pulley Assembly	4040408-60
		1	1			Pulley Assembly	4040408-70
		1	1	1	1	Bushing	4200121-10
		1	1	1	1	Tape Guide	4210188-20
		1	1	1	1	Arm	4230159-10
		1	1	1	1	Spring	4270160-10
		1	1	1	1	Housing	4290272-10
		1	1	1	1	Mount	4290273-10
14	7-9	1				Motor, Drive, Assembly	4040416-15
15	7-9			1		Motor, Drive, Assembly	4040416-16
16	7-9		1			Motor, Drive, Assembly	4040416-17
17	7-9				1	Motor, Drive, Assembly	4040416-18
		1	1	1	1	Flywheel, Drive Motor	4250113-10
		1				Motor, Ashland, 7-1/2 - 15 ips, 60 cycle	4590068-10
				1		Motor, Ashland, 3-3/4 - 7-1/2 ips, 60 cycle	4590068-20
					1	Motor, Ashland, 7-1/2 - 15 ips, 50 cycle	4590093-30
					1	Motor, Ashland, 3-3/4 - 7-1/2 ips, 50 cycle	4590093-40
		1	1	1	1	Plug, 6 contact, Jones	145-012
18	7-9	1	1	1	1	Capacitor Assembly	4040591-02
		1	1	1	1	Capacitor, 3.75 mfd	4540292-30
		1	1	1	1	Safety Boot	032-082
		2	2	2	2	Connector, Solderless	171-008
19	7-9	1	1	1	1	Pushbutton Assembly (S)	4040884-01
20	7-9	1	1	1	1	Pushbutton Assembly (P)	4040884-02
21	7-9	1	1	1	1	Pushbutton Assembly (F)	4040884-03
22	7-9	1	1	1	1	Pushbutton Assembly (R)	4040884-04
		1	1	1	1	Pushbutton, Control (S)	4100160-10
		1	1	1	1	Pushbutton, Control (P)	4100160-20
		1	1	1	1	Pushbutton, Control (F)	4100160-30
		1	1	1	1	Pushbutton, Control (R)	4100160-60
		1	1	1	1	Plate, Button Keeper	4330233-01
23	7-9	1	1	1	1	Harness Assembly, Switch	4050378-01
24	7-9	2	2	2	2	Guard, Reel	4110172-20
26	7-9	1	1	1	1	Escutcheon, Left	4110253-01
27	7-9	1	1	1	1	Escutcheon, Right	4110254-01
28	7-9	1	1	1	1	Shield, Microswitch	4170184-01
30	7-9	1	1	1	1	Bushing, Capstan Idler	4200122-10
31	7-9	1	1	1	1	Spacer, Microswitch	4220229-01
32	7-9	1	1	1	1	Arm, Solenoid, capstan idler	4230160-10
33	7-9	1	1	1	1	Flywheel, Reel Idler	4250115-10
34	7-9	1	1	1	1	Bracket, Solenoid, Capstan Idler	4260181-01
35	7-9	4	4	4	4	Spring, Pushbutton	4270241-01
36	7-9	1	1	1	1	Cover, Relay Chassis	4290279-10
38	7-9	1	1	1	1	Cover Assembly, Switch	4040886-01
39	7-9	1	1	1	1	Arm, Capstan Idler	4330106-10
40	7-9	A/R	A/R	A/R	A/R	Washer, Shim, 0.315 id. x .005 thick	4440113-10
41	7-9	A/R	A/R	A/R	A/R	Washer, Shim, 0.315 id. x .010 thick	4440113-20
42	7-9	A/R	A/R	A/R	A/R	Washer, Shim, 0.315 id. x .003 thick	4440113-30
43	7-9	A/R	A/R	A/R	A/R	Washer, Shim, Tape Guide, .005 stainless steel	4440236-20
44	7-9	A/R	A/R	A/R	A/R	Washer, Shim, Tape Guide, .010 stainless steel	4440236-30
50	7-9	1	1	1	1	Clamp, Cable, 1/4 dia.	302-007
51	7-9	2	2	2	2	Clamp, Cable, 5/16 id., plastic	302-196
52	7-9	1	1	1	1	Roll Pin, 1/8 dia. x 3/4	406-005
74	7-9	1	1	1	1	Fan, Drive Motor	591-001

TAPE TRANSPORT CONTROL BOX

Ref. No.	Qty.		Ampex Part No.
C502	1	Capacitor, electrolytic, 150 mfd, -10 +100%, 180 vdcw	031-624
C504	2	Capacitor, mylar, 0.25 mfd, ±10%, 100 vdcw	033-151
C505	5	Capacitor, paper, .047 mfd, ±20%, 400 vdcw	035-059
C506	x	Same as C505	035-059
C507	2	Capacitor, mylar, .01 mfd, 600 vdcw	055-039
C508	x	Same as C507	055-039
C509	x	Same as C504	033-151
C510	x	Same as C505	035-059
C511	x	Same as C505	035-059
C515	x	Same as C505	035-059
CR501	1	Rectifier, half wave, 130 vac	582-016
CR502	1	Diode, 1N2863	580-027
J501	1	Connector, receptacle, 21 contacts, female	146-057
J502	1	Connector, receptacle, 10 contacts, female	146-018
J503	3	Connector, receptacle, 8 contacts, female	146-003
J504	1	Connector, receptacle, 6 contacts, female	146-004
J505	x	Same as J503	146-003
J506	x	Same as J503	146-003
K502	3	Relay, 3 PDT, 115 vdc	020-006
K503	x	Same as K502	020-006
K504	x	Same as K502	020-006
R501	1	Resistor, fixed, wirewound, 10 ohms, ±10%, 5W	043-156
R502	1	Resistor, fixed, wirewound, 75 ohms, ±5%, 50W	043-002
R503	2	Resistor, variable, wirewound, 150 ohms, ±5%, 50W	040-011
R504	1	Resistor, variable, wirewound, 750 ohms, ±5%, 50W	040-007
R505	x	Same as R503	040-011
R506	1	Resistor, fixed, composition, 22 ohms, ±10%, 1W	041-132
R507	4	Resistor, fixed, composition, 100 ohms, ±10%, 1/2W	041-038
R508	x	Same as R507	041-038
R509	x	Same as R507	041-038
R510	x	Same as R507	041-038
	1	Dummy Plug, remote connector	4050101-10
	1	Dummy Plug, 60 cycle connector	4050138-10
P507	1	Connector, plug, 8 contacts, male	145-013

RECORD/REPRODUCE ELECTRONICS ASSEMBLY

Ref. No.	Loc.*	-01	-02		Ampex Part No.
		x		Master Electronic Assembly	4020251-01
			x	Slave Electronic Assembly	4020251-02
C1	1	2	2	Capacitor, electrolytic, tubular, 4 mfd, -10 +75%, 15 vdcw	031-424
C2	1	1	1	Capacitor, electrolytic; 25 mfd, -10 +75%, 3 vdcw	031-620
C3	1	1	1	Capacitor, mylar; .002 mfd, ±10%, 600 vdcw	055-024
C4	1	2	2	Capacitor, electrolytic, tubular; 50 mfd, -10 +75%, 3 vdcw	031-244
C5	1	2	2	Capacitor, electrolytic, tubular; 100 mfd, -10 +75%, 6 vdcw	031-166
C6	1	2	2	Capacitor, electrolytic, tubular; 50 mfd, -10 +100%, 25 vdcw	031-190
C7	1	4	4	Capacitor, electrolytic, tubular; 2 mfd, -10 +75%, 25 vdcw	031-646
C8	1	3	3	Capacitor, mylar; 0.22 mfd, ±10%, 100 vdcw	035-819
C9	1	5	5	Capacitor, mylar; 0.1 mfd, ±10%, 100 vdcw	035-831
C10	1	2	2	Capacitor, electrolytic, tubular; 100 mfd, -10 +75%, 25 vdcw	031-186
C11	1	x	x	Same as C7	031-646
C12	1	x	x	Same as C7	031-646
C13	1	x	x	Same as C8	035-819
C14	1	x	x	Same as C5	031-166
C15	2	6	5	Capacitor, ceramic, tubular; .01 mfd, 500 vdcw	030-002
C16	1	x	x	Same as C9	035-831
C17	1	x	x	Same as C9	035-831
C18	1	3	3	Capacitor, electrolytic, tubular; 10 mfd, -10 +75%, 25 vdcw	031-148
C19	1	x	x	Same as C8	035-819
C20	1	x	x	Same as C10	031-186
C21	1	1	1	Capacitor, plastic; 0.47 mfd, ±5%, 100 vdcw	055-035
C22					
C23	1	x	x	Same as C7	031-646
C24	1	x	x	Same as C9	035-831
C25	1	x	x	Same as C4	031-244
C26	1	x	x	Same as C18	031-148
C27	1	1	1	Capacitor, mica; 500 pfd, ±5%, 300 vdcw	034-933
C28	1	6	6	Capacitor, mylar; .01 mfd, ±5%, 100 vdcw	035-574
C29	1	x	x	Same as C28	035-574
C30	1	x	x	Same as C28	035-574
C31	1	x	x	Same as C28	035-574
C32	1	x	x	Same as C28	035-574
C33	1	1	1	Capacitor, mylar; .018 mfd, ±5%, 100 vdcw	055-028
C34	4	2	2	Capacitor, variable, mica; 1400-3055 pfd, 175 vdcw	038-011
C35	1	x	x	Same as C18	031-148
C36	4	x	x	Same as C34	038-011
C37	4	1	1	Capacitor, mica; .001 mfd, ±5%, 500 vdcw	034-707
C38	4	2	2	Capacitor, paper, tubular; .0047 mfd, ±20%, 600 vdcw	035-028
C39	4	x	x	Same as C38	035-028
C40	6	1	1	Capacitor, electrolytic; 1000 mfd, -10 +150%, 50 vdcw	031-705
C41	1	x	x	Same as C9	035-831
C42	1	x	x	Same as C1	031-424
C43	6	1	1	Capacitor, electrolytic; 500-500-100 mfd, 25 vdcw	031-707
C44	1	x	x	Same as C6	031-190
C45	1	x	x	Same as C28	035-574
C46	4	1	1	Capacitor, electrolytic; 100 mfd, -10 +75%, 25 vdcw	031-186
C47	4	x	x	Same as C15	030-002
C48	4	x	x	Same as C15	030-002
C49	4	x	x	Same as C15	030-002
C50	2	x	0	Same as C15	030-002
C51	2	x	x	Same as C15	030-002
CR1	2	5	5	Diode, 1N2860	580-042
CR2	3	1	1	Diode, 1N2863	580-027
CR3	1	x	x	Same as CR1	580-042
CR4	1	x	x	Same as CR1	580-042
CR5	1	x	x	Same as CR1	580-042
CR6	1	x	x	Same as CR1	580-042
CR7	1	2	2	Diode, SG-22	013-041
CR8	1	x	x	Same as CR7	013-041
CR9	1	3	3	Diode, 1N67A	013-011
CR10	1	1	1	Diode, zener, LMZ-11-20	013-668
CR11	1	x	x	Same as CR9	013-011
CR12	1	x	x	Same as CR9	013-011
F1	4	1	0	Fuse, fast blow; 3 ampere, 250 volt	070-001
F2	4	1	1	Fuse, slow blow; 0.5 ampere, 125 volt	070-026
F3	4	1	1	Fuse, fast blow; 0.25 ampere, 250 volt	070-006
I1	2	1	1	Lamp, neon, Record indicator	060-999
I2	2	1	1	Lamp, neon, Ready indicator	060-996
I3	2	-	-	ON VU meter	-
I4	2	-	-	ON VU meter	-
J1	4	1	1	Connector, receptacle, 3 contact, male	143-008

\*Location Guide

- |                            |                 |
|----------------------------|-----------------|
| 1. Printed Circuit Board   | 4. Back Panel   |
| 2. Front Panel             | 5. Right Panel  |
| 3. Left Panel (from front) | 6. Power Supply |



RECORD/REPRODUCE ELECTRONICS ASSEMBLY

(Continued)

Ref. No.	Loc.*	-01	-02		Ampex Part No.
J2	2	3	2	Connector, receptacle, 8 contact, female	146-003
J3	2	x	x	Same as J2	146-003
J4	2	1	1	Connector, jack, phone	148-015
J5	4	1	1	Connector, receptacle, 3 contact, male	147-004
J6	4	1	1	Connector, receptacle, 3 contact, female	146-007
J7	4	1	1	Connector, socket, octal	150-023
J8	4	1	1	Connector, receptacle, 2 contact, male	143-009
J9	4	x	0	Same as J2	146-003
J9	0	1	1	Connector, receptacle, 8 contact, male	147-013
J10	4	1	0	Connector, receptacle, 2 contact, male	147-013
J11	4	1	1	Connector, receptacle, 1 contact, male	143-010
J12	4	1	1	Connector, receptacle, 1 contact, female	146-067
K1	2	1	1	Relay, 4 PDT, 24 volt dc; 2 amps resistive load, gold contacts	020-244
K2	3	1	1	Relay, 2 PDT, (special)	4590050-10
L1	1	1	1	Inductor, coil; 5 mH, ±5%	051-342
L2	4	1	1	Inductor, choke; 1.2 mH	051-336
M1	2	1	1	Meter, VU	4140016-10
Q1	1	13	13	Transistor, silicon, TI415, 2N3707	014-560
Q2	1	x	x	Same as Q1	014-560
Q3	1	x	x	Same as Q1	014-560
Q4	1	x	x	Same as Q1	014-560
Q5	1	x	x	Same as Q1	014-560
Q6	1	x	x	Same as Q1	014-560
Q7	1	x	x	Same as Q1	014-560
Q8	1	2	2	Transistor, germanium 2N414	014-029
Q9	5	1	1	Transistor, germanium, 2N1168	014-591
Q10	1	x	x	Same as Q1	014-560
Q11	1	x	x	Same as Q1	014-560
Q12	1	x	x	Same as Q1	014-560
Q13	1	x	x	Same as Q1	014-560
Q14	1	x	x	Same as Q1	014-560
Q15	1	4	4	Transistor, silicon, 2N697	014-090
Q16	1	x	x	Same as Q15	014-090
Q17	1	3	3	Transistor, silicon, 40250	014-587
Q18	1	x	x	Same as Q17	014-587
Q19	1	x	x	Same as Q8	014-029
Q20	3	x	x	Same as Q17	014-587
Q21	1	x	x	Same as Q15	014-090
Q22	1	x	x	Same as Q1	014-560
Q23	1	x	x	Same as Q15	014-090
R1	1	2	2	Resistor, fixed, composition, 330,000 ohms, ±10%, 1/2W	041-078
R2	1	1	1	Resistor, fixed, composition, 75,000 ohms, ±5%, 1/2W	041-253
R3	1	3	3	Resistor, fixed, composition, 68,000 ohms, ±10%, 1/2W	041-070
R4	1	2	2	Resistor, fixed, composition, 110,000 ohms, ±5%, 1/2W	041-024
R5	1	1	1	Resistor, fixed, composition, 100,000 ohms, ±10%, 1/2W	041-072
R6	1	1	1	Resistor, fixed, metal film, 1,000 ohms, ±1%, 1/4W	048-259
R7	1	2	2	Resistor, fixed, composition, 47,000 ohms, ±10%, 1/2W	041-068
R8	1	1	1	Resistor, fixed, composition, 240,000 ohms, ±5%, 1/2W	041-374
R9	1	1	1	Resistor, fixed, composition, 620,000 ohms, ±5%, 1/2W	041-900
R10	1	6	6	Resistor, fixed, composition, 2,200 ohms, ±10%, 1/2W	041-052
R11	1	1	1	Resistor, fixed, composition, 24,000 ohms, ±5%, 1/2W	041-498
R12	1	2	2	Resistor, fixed, composition, 220 ohms, ±10%, 1/2W	041-040
R13	1	1	1	Resistor, fixed, composition, 5,100 ohms, ±5%, 1/2W	041-001
R14	1	2	2	Resistor, fixed, composition, 22,000 ohms, ±10%, 1/2W	041-064
R15	2	1	1	Resistor, variable, 100,000 ohms, high torque	4520145-50
R16	1	2	2	Resistor, fixed, composition, 2 megohms, ±5%, 1/2W	041-382
R17	1	3	3	Resistor, fixed, composition, 360,000 ohms, ±5%, 1/2W	041-590
R18	1	4	4	Resistor, fixed, composition, 1,000 ohms, ±10%, 1/2W	041-048
R19	1	3	3	Resistor, fixed, composition, 4,700 ohms, ±10%, 1/2W	041-056
R20	1	1	1	Resistor, fixed, composition, 910 ohms, ±5%, 1/2W	041-522
R21	2	1	1	Resistor, variable, composition, 10,000 ohms, ±20%, 2W	044-233
R22	1	1	1	Resistor, fixed, composition, 1.1 megohm, ±5%, 1/2W	041-898
R23	1	x	x	Same as R17	041-590
R24	1	x	x	Same as R17	041-590
R25	1	x	x	Same as R10	041-052
R26	1	1	1	Resistor, fixed, composition, 180 ohms, ±10%, 1/2W	041-257
R27	1	1	1	Resistor, fixed, composition, 390 ohms, ±10%, 1/2W	041-043
R28	1	1	1	Resistor, fixed, composition, 680 ohms, ±10%, 1W	041-143
R29	1	x	x	Same as R10	041-052
R30	1	1	1	Resistor, fixed, composition, 470 ohms, ±10%, 1/2W	041-044
R31	1	x	x	Same as R12	041-040
R32	4	1	1	Resistor, fixed, composition, 10 ohms, ±5%, 1W	041-095

\*Location Guide

- |                            |                 |
|----------------------------|-----------------|
| 1. Printed Circuit Board   | 4. Back Panel   |
| 2. Front Panel             | 5. Right Panel  |
| 3. Left Panel (from front) | 6. Power Supply |

RECORD/REPRODUCE ELECTRONICS ASSEMBLY

(Continued)

Ref. No.	Loc.*	-01	-02		Ampex Part No.
R33	4	1	1	Resistor, fixed, composition, 4,300 ohms, ±5%, 1/2W	041-012
R34	4	1	1	Resistor, fixed, composition, 9,100 ohms, ±5%, 1/2W	041-373
R35	4	1	1	Resistor, fixed, composition, 2,400 ohms, ±5%, 1/2W	041-316
R36	4	1	1	Resistor, fixed, composition, 680 ohms, ±10%, 1/2W	041-046
R37	2	1	1	Resistor, fixed, composition, 6,200 ohms, ±5%, 1/2W	041-455
R38	2	1	1	Resistor, variable, composition, 100,000 ohms, ±10%, 2W	044-015
R39	1	1	1	Resistor, fixed, composition, 1 megohm, ±5%, 1/2W	041-286
R40	1	x	x	Same as R16	041-382
R41	1	x	x	Same as R14	041-064
R42	1	x	x	Same as R4	041-024
R43	1	x	x	Same as R19	041-056
R44	1	x	x	Same as R10	041-052
R45	2	2	2	Resistor, variable, 25,000 ohms, high torque	4250145-20
R46	1	1	1	Resistor, fixed, composition, 10,000 ohms, ±10%, 1/2W	041-060
R47	1	1	1	Resistor, fixed, composition, 390,000 ohms, ±10%, 1/2W	041-079
R48	1	2	2	Resistor, fixed, composition, 3,300 ohms, ±10%, 1/2W	041-054
R49	1	1	1	Resistor, fixed, composition, 33,000 ohms, ±10%, 1/2W	041-066
R50	1	1	1	Resistor, fixed, metal film, 1.21 megohms, ±1%, 1/2W	048-965
R51	1	x	x	Same as R3	041-070
R52	1	1	1	Resistor, fixed, composition, 7,500 ohms, ±5%, 1/2W	041-361
R53	1	1	1	Resistor, fixed, composition, 39,000 ohms, ±5%, 1/2W	041-018
R54	1	1	1	Resistor, fixed, composition, 4,300 ohms, ±5%, 1/2W	041-012
R55	1	1	1	Resistor, fixed, composition, 2.2 megohms, ±10%, 1/2W	041-086
R56	1	1	1	Resistor, fixed, composition, 470,000 ohms, ±10%, 1/2W	041-080
R57	1	x	x	Same as R7	041-068
R58	1	x	x	Same as R3	041-070
R59	1	x	x	Same as R48	041-054
R60	1	x	x	Same as R1	041-078
R61	1	1	1	Resistor, fixed, composition, 100 ohms, ±10%, 1/2W	041-038
R62	1	1	1	Resistor, fixed, composition, 150 ohms, ±10%, 1/2W	041-241
R63	4	1	1	Resistor, variable, 500 ohms, high torque	4520145-10
R64	1	2	2	Resistor, fixed, composition, 8,200 ohms, ±10%, 1/2W	041-059
R65	1	x	x	Same as R64	041-059
R66	1	1	1	Resistor, fixed, composition, 10 ohms, ±10%, 1/2W	041-032
R67	2	1	1	Resistor, fixed, composition, 2,700 ohms, ±10%, 1/2W	041-278
R68	2	x	x	Same as R45	4520145-20
R69	2	1	1	Resistor, fixed, composition, 220 ohms, ±10%, 1/2W	041-040
R70	2	2	2	Resistor, fixed, composition, 100,000 ohms, ±10%, 1/2W	041-072
R71	2	x	x	Same as R70	041-072
R72	1	x	x	Same as R19	041-056
R73	1	x	x	Same as R18	041-048
R74	1	1	1	Resistor, fixed, wirewound, 1.8 ohms, ±5%, 2W	047-828
R75	1	x	x	Same as R18	041-048
R76	1	x	x	Same as R10	041-052
R77	1	1	1	Resistor, variable, composition, 1,000 ohms, ±30%, 1/10W	044-370
R78	1	x	x	Same as R10	041-048
R79	1	1	1	Resistor, fixed, composition, 82 ohms, ±10%, 1/2W	041-037
R80	1	3	3	Resistor, fixed, composition, 68 ohms, ±10%, 1/2W	041-036
R81	1	x	x	Same as R18	041-048
R82	1	x	x	Same as R80	041-036
R83	1	x	x	Same as R80	041-036
R84	4	1	1	Resistor, variable, wirewound, 25 ohms	4520149-10
R85	4	1	1	Resistor, fixed, composition, 220 ohms, ±10%, 1/2W	041-040
S1	2	1	1	Switch, Output Selector	4620191-01
S2	4	1	1	Switch, Line Termination	122-016
S3	4	1	1	Switch, Input Selector	4620190-01
S4	2	1	0	Switch, toggle, SPST, power	120-005
S5	2	1	1	Switch, Record Selector	4620192-01
S6	2	1	0	Switch, Record	120-472
T1	5	1	1	Transformer, output	4580192-01
T2	1	1	1	Transformer, bias and erase oscillator	560-090
T3	6	1	1	Transformer, power	4580191-01
TP1	4	1	1	Test Point, banana jack, black	146-385
TP1	4	1	1	Test Point, banana jack, red	146-385
	4	3	2	Fuse Post	230-008
	4	2	2	Knob, black, with pointer	4100105-02
	2	1	1	Knob, black, plain	4100105-06
	2	1	1	Knob, black, skirt	4100105-32
	2	1	1	Knob, red top, plain	4100105-36
	2	1	1	Knob, red top, skirt	4100105-36
	2	2	2	Knob, Lock	230-071
	2	1	0	Pushbutton, Record	4100175-01
	1	19	19	Socket, transistor, insulated	150-103

\*Location Guide

- |                            |                 |
|----------------------------|-----------------|
| 1. Printed Circuit Board   | 4. Back Panel   |
| 2. Front Panel             | 5. Right Panel  |
| 3. Left Panel (from front) | 6. Power Supply |

PLUG-IN EQUALIZER ASSEMBLY  
(RECORD/REPRODUCE EQUIPMENT)

Ref. No.	-01	-02	-03	-04	-05		Ampex Part No.
	x					Equalizer, 15 ips, NAB	4020252-01
		x				Equalizer, 7-1/2 ips, NAB	4020252-02
			x			Equalizer, 3-3/4 ips, 120 or 200 microsecond	4020252-03
				x		Equalizer, 15 ips, CCIR	4020252-04
					x	Equalizer, 7-1/2 ips, CCIR	4020252-05
		1	1			Capacitor, variable, mica, 350-1180 pfd, 250 vdcw	038-028
	1			1		Capacitor, variable, mica, 65-340 pfd, 250 vdcw	038-005
					1	Capacitor, variable, mica, 100-550 pfd, 250 vdcw	038-009
	1	1	1	1	1	Capacitor, 3,600 pfd, ±5%, 600 vdcw	055-025
		1			1	Capacitor, ceramic disc, 33 pfd, ±5%, 500 vdcw	030-305
				1		Capacitor, ceramic disc, 56 pfd, ±5%, 500 vdcw	030-306
				1	1	Capacitor, electrolytic, 25 mfd, 3 vdcw	031-620
	1	1	1	1	1	Connector, 8 pins, male	147-006
	1	1	1		1	Resistor, variable, miniature, 100,000 ohms	4520146-10
				1		Resistor, variable, miniature, 25,000 ohms	4520146-30
	1	1	1	1	1	Resistor, variable, miniature, 5 megohms	4520146-40
	1	1	1	1	1	Housing, equalizer	4040914-01

REPRODUCE-ONLY ELECTRONIC ASSEMBLY

Ref. No.	Loc.*	-01	-02		Ampex Part No.
		x		Single Channel Electronic Assembly	4020265-01
		x		Two Channel Electronic Assembly	4020265-02
		1		Power Supply Module	4050389-01
C1	1	2	2	Capacitor, paper, .0047 mfd, ±20%, 600 vdcw	035-028
C2	1	x	x	Same as C1	035-028
C3	1	1	1	Capacitor, electrolytic, 2,000 mfd, +150 -10%, 50 vdcw	031-705
C4	1	1	1	Capacitor, electrolytic, 500 - 500 mfd, 50 vdcw	031-710
C5	1	2	2	Capacitor, ceramic disc, .01 mfd, 500 vdcw	030-002
C6	1	x	x	Same as C5	030-002
CR1	1	4	4	Diode, 1N2860	580-042
CR2	1	x	x	Same as CR1	580-042
CR3	1	x	x	Same as CR1	580-042
CR4	1	x	x	Same as CR1	580-042
CR5	1	1	1	Diode, zener, 24 volts, LMZ24A	013-676
DS1	1	1	1	Lamp, incandescent, pilot, #51	060-028
F1	1	1	1	Fuse, fast blow, 3 ampere, 250 volt	070-001
F2	1	2	2	Fuse, slow blow, 0.5 ampere, 125 volt	070-026
F3	1	x	x	Same as F2	070-026
J1	1	1	1	Connector, receptacle, 2 contacts, male	147-013
J2	1	1	1	Connector, receptacle, 8 contacts, female	146-003
J3	1	2	2	Connector, receptacle, 6 contacts, female	146-004
J4	1	x	x	Same as J3	146-004
Q1	1	1	1	Transistor, silicon, 40250	014-587
R1	1	1	1	Resistor, fixed, composition, 270 ohms, ±10%, 1/2W	041-041
R2	1	1	1	Resistor, fixed, composition, 330 ohms, ±10%, 1/2W	041-042
S1	1	1	1	Switch, toggle, SPST, power	120-005
T1	1	1	1	Transformer, power	4580191-01
	1	3	3	Fuse Post	085-001
	1	1	1	Holder, pilot lamp, DS-1	130-062
		1	2	Audio Module (quantities listed for each module)	4050390-01
C1	2	1	1	Capacitor, electrolytic, 25 mfd, -10 +75%, 3 vdcw	031-620
C2	2	1	1	Capacitor, paper, .002 mfd, 600 vdcw	055-024
C3	2	1	1	Capacitor, electrolytic, 50 mfd, -10 +75%, 3 vdcw	031-244
C4	2	1	1	Capacitor, electrolytic, 4 mfd, -10 +75%, 15 vdcw	031-424
C5	2	2	2	Capacitor, Electrolytic, 2 mfd, -10 +75%, 25 vdcw	031-646
C6	2	2	2	Capacitor, electrolytic, 100 mfd, -10 +75%, 6 vdcw	031-166
C7	2	1	1	Capacitor, electrolytic, 50 mfd, -10 +100%, 25 vdcw	031-190
C8	2	1	1	Capacitor, mylar, 0.22 mfd, ±10%, 100 vdcw	035-819
C9	2	x	x	Same as C5	031-646
C10	2	x	x	Same as C6	031-166
C11	2	1	1	Capacitor, mylar, .022 mfd, ±10%, 100 vdcw	035-777
C12	2	2	2	Capacitor, mylar, .0036 mfd, ±5%, 600 vdcw	055-025
C13	2	x	x	Same as C12	055-025
CR1	2	1	1	Diode, 1N2860	580-042
J1	2	1	1	Connector, receptacle, 3 contact, male	143-008
J2	2	1	1	Connector, receptacle, 3 contact, male	147-004
K1	2	1	1	Relay, 4PDT, 24 vdc	020-244
Q1	2	4	4	Transistor, silicon, T.I.415, 2N3707	014-560
Q2	2	x	x	Same as Q1	014-560
Q3	2	x	x	Same as Q1	014-560
Q4	2	x	x	Same as Q1	014-560
Q5	2	1	1	Transistor, germanium, 2N414	014-029
Q6	2	1	1	Transistor, germanium, 2N1168	014-591
R1	2	3	3	Resistor, fixed, composition, 330,000 ohms, ±10%, 1/2W	041-078
R2	2	1	1	Resistor, fixed, composition, 68,000 ohms, ±10%, 1/2W	041-070
R3	2	1	1	Resistor, fixed, composition, 75,000 ohms, ±5%, 1/2W	041-253
R4	2	1	1	Resistor, fixed, composition, 100,000 ohms, ±10%, 1/2W	041-072
R5	2	1	1	Resistor, fixed, metal film, 1,000 ohms, ±1%, 1/4W	048-259
R6	2	1	1	Resistor, fixed, composition, 47,000 ohms, ±10%, 1/2W	041-068
R7	2	1	1	Resistor, fixed, composition, 620,000 ohms, ±5%, 1/2W	041-900
R8	2	1	1	Resistor, fixed, composition, 240,000 ohms, ±5%, 1/2W	041-374
R9	2	1	1	Resistor, fixed, composition, 110,000 ohms, ±5%, 1/2W	041-024
R10	2	3	3	Resistor, fixed, composition, 2,200 ohms, ±10%, 1/2W	041-052

\*Location Guide  
 1. Power Supply Module  
 2. Audio Module

REPRODUCE-ONLY ELECTRONIC ASSEMBLY  
(Continued)

Ref. No.	Loc.*-01	-02		Ampex Part No.	
R11	2	1	1	Resistor, fixed, composition, 24,000 ohms, $\pm 5\%$ , 1/2W	041-498
R12	2	2	2	Resistor, fixed, composition, 220 ohms, $\pm 10\%$ , 1/2W	041-040
R13	2	1	1	Resistor, fixed, composition, 5,100 ohms, $\pm 5\%$ , 1/2W	041-001
R14	2	3	3	Resistor, variable, high torque, 100,000 ohms	4520145-50
R15	2	1	1	Resistor, fixed, composition, 1.1 megohm, $\pm 5\%$ , 1/2W	041-898
R16	2	2	2	Resistor, fixed, composition, 360,000 ohms, $\pm 5\%$ , 1/2W	041-590
R17	2	x	x	Same as R16	041-590
R18	2	x	x	Same as R10	041-052
R19	2	1	1	Resistor, fixed, composition, 180 ohms, $\pm 10\%$ , 1/2W	041-257
R20	2	1	1	Resistor, fixed, composition, 390 ohms, $\pm 10\%$ , 1/2W	041-043
R21	2	1	1	Resistor, fixed, composition, 680 ohms, $\pm 10\%$ , 1W	041-143
R22	2	x	x	Same as R10	041-052
R23	2	1	1	Resistor, fixed, composition, 470 ohms, $\pm 10\%$ , 1/2W	041-044
R24	2	x	x	Same as R12	041-040
R25	2	1	1	Resistor, fixed, composition, 10 ohms, $\pm 5\%$ , 1W	041-095
R26	2	1	1	Resistor, fixed, composition, 680 ohms, $\pm 10\%$ , 1/2W	041-046
R27	2	1	1	Resistor, fixed, composition, 4,300 ohms, $\pm 5\%$ , 1/2W	041-012
R28	2	1	1	Resistor, fixed, composition, 9,100 ohms, $\pm 5\%$ , 1/2W	041-373
R29	2	1	1	Resistor, fixed, composition, 2,400 ohms, $\pm 5\%$ , 1/2W	041-316
R30	2	2	2	Resistor, variable, high torque, 5 megohms	4520145-60
R31	2	x	x	Same as R1	041-078
R32	2	x	x	Same as R14	4520145-50
R33	2	x	x	Same as R30	4520145-60
R34	2	x	x	Same as R1	041-078
R35	2	x	x	Same as R14	4520145-50
S1	2	1	1	Switch, rotary, SPDT	122-016
T1	2	1	1	Transformer, output	4580192-01
		1	1	Cover, chassis, audio	4290595-01
		5	5	Socket, transistor	150-103

\*Location Guide  
1. Power Supply Module  
2. Audio Module

HEAD ASSEMBLY  
Single Track

Ref. No.	-01	-02	-03	-04		Ampex Part No.
	x				Head Assembly, half track, record/reproduce	4020261-01
		x			Head Assembly, full track, record/reproduce	4020261-02
			x		Head Assembly, half track, reproduce-only	4020261-03
				x	Head Assembly, full track, reproduce-only	4020261-04
	1	1	0	0	Gate Assembly	4030243-01
	0	0	1	1	Gate Assembly	4030243-02
	1	1	1	1	Cover Assembly, reproduce head	4040531-01
	1	1	0	0	Cover Assembly, record head	4040532-01
	1	1	1	1	Head Gate	4040887-01
	2	2	2	2	Tape Lifter Assembly	4040888-01
	2	2	1	1	Plate, head cover spring	4270155-10
	1	1	0	0	Base Plate Subassembly	4030244-01
	0	0	1	1	Base Plate Subassembly	4030244-02
	1	1	0	0	Can Assembly, record head	4040403-02
	1	1	0	0	Can Assembly, erase head	4040422-02
	1	1	1	1	Can Assembly, reproduce head	4040425-04
	2	2	2	2	Post, gate stop	4220228-01
	2	2	0	0	Plate, head clamping (record, erase)	4330120-10
	1	1	1	1	Base Plate	4330122-02
	1	1	1	1	Plate, head clamping (reproduce)	4330123-01
	0	0	1	1	Tape Guide	4210193-10
	1	0	1	0	Head Stack, reproduce, half track	4040438-51
	0	1	0	1	Head Stack, reproduce, full track	4040438-52
	1	0	0	0	Head Stack, record, half track	4040438-66
	0	1	0	0	Head Stack, record, full track	4040438-67
	0	1	0	0	Head Stack, erase, full track	4040829-01
	1	0	0	0	Head Stack, erase, half track	4040831-01
	1	1	1	1	Housing Assembly	4040885-01
	4	4	2	2	Spring, head adjusting	4270167-10
	1	1	1	1	Spring, head gate detent	4270242-01
	2	2	2	2	Drive Pin, head gate	403-006

HEAD ASSEMBLY  
Two Track, Record/Reproduce

Ref. No.	-01	Ampex Part No.
x	Head Assembly, record/reproduce	4020262-01
1	Gate Assembly	4030243-01
1	Cover Assembly, reproduce head	4040531-01
1	Cover Assembly, record head	4040532-01
1	Head Gate	4040887-01
2	Tape Lifter Assembly	4040888-01
2	Plate, head cover spring	4270155-10
1	Base Plate Subassembly	4030245-01
1	Can Assembly, record head	4040403-02
1	Can Assembly, erase head	4040422-02
1	Can Assembly, reproduce head	4040425-04
2	Post, gate stop	4220228-01
2	Plate, head clamping (record, erase)	4330120-10
1	Base Plate	4330122-02
1	Plate, head clamping (reproduce)	4330123-01
1	Head Stack, reproduce	4040437-01
1	Head Stack, record	4040437-05
1	Head Stack, erase	4040831-01
1	Housing Assembly	4040885-01
4	Spring, head adjusting	4270167-10
1	Spring, head gate detent	4270242-01
2	Drive Pin, head gate	403-006

HEAD ASSEMBLY  
Two Track, Reproduce-Only

Ref. No.	-01	Ampex Part No.
x	Head Assembly, two track, reproduce-only	4020266-01
1	Gate Assembly	4030243-03
1	Cover Assembly, head, right position	4040531-01
1	Cover Assembly, head, left position	4040532-01
1	Gate Subassembly	4040887-01
2	Tape Lifter Assembly	4040888-01
2	Plate, head cover spring	4270155-10
1	Base Plate Subassembly	1231758-01
1	Can Assembly, head, left position	1231754-01
1	Can Assembly, head, right position	4040425-04
1	Tape Guide	4210193-10
2	Post, gate stop	4220228-02
1	Plate, head clamping, left position	4330120-10
1	Plate, head clamping, right position	4330123-01
1	Base Plate	4330122-03
1	Bracket Assembly, switch mounting	1231755-01
1	Bracket	1231752-01
1	Switch, slide	4620124-10
1	Head Stack, reproduce, 1/4 track	1231757-01
1	Head Stack, reproduce, 2 track	4040437-01
1	Housing Assembly	4040885-01
3	Spring, head adjusting	4270167-10
1	Spring, head gate detent	4270242-02
2	Drive Pin, head gate	403-006



HEAD ASSEMBLY  
Special Four-Stack Record/Reproduce  
Two Track

Ref. No.	-05	Ampex Part No.
x	Head Assembly, Two Track and 1/4 Track	02-06620-05
1	Head Stack, two track, reproduce	02-96170-04
1	Head Stack, 1/4 track, reproduce	02-96640-02
1	Head Stack, two track, record	02-96170-11
1	Head Stack, two track, erase	1815071-01
1	Base Assembly	4030105-20
2	Tape Guide	4210170-10
1	Handle, tape lifter	4120051-10
1	Base	4330132-10
4	Plate, spring retaining	4330133-10
4	Mounting, head	4040692-10
2	Spring, tape guide return	4270169-10
2	Spring, tape guide detent	4270170-10
8	Spring, head mounting	4270171-10
1	Pin Knuckle, spring guide	4040449-10
1	Guide Rod	4210195-10
2	Tape Guide	4210196-10
1	Shaft, switch	4210197-10
1	Cam, tape lifter retract	4230165-10
1	Spring, head cover	4270200-10
1	Shield, head cover	4290235-20
1	Shield, head base	4290296-10
1	Wire, retaining	4320115-10
1	Stanchion, over center	4330134-10
1	Base Plate	4330135-10
2	Hinge	4330136-10
1	Head Cover	4330137-10
1	Head Connecting Chassis Assembly	4030124-50
1	Panel, rear	4290245-10
1	Chassis	4290299-10
1	Base	4330102-10
1	Switch, slide, DPDT	4620124-10

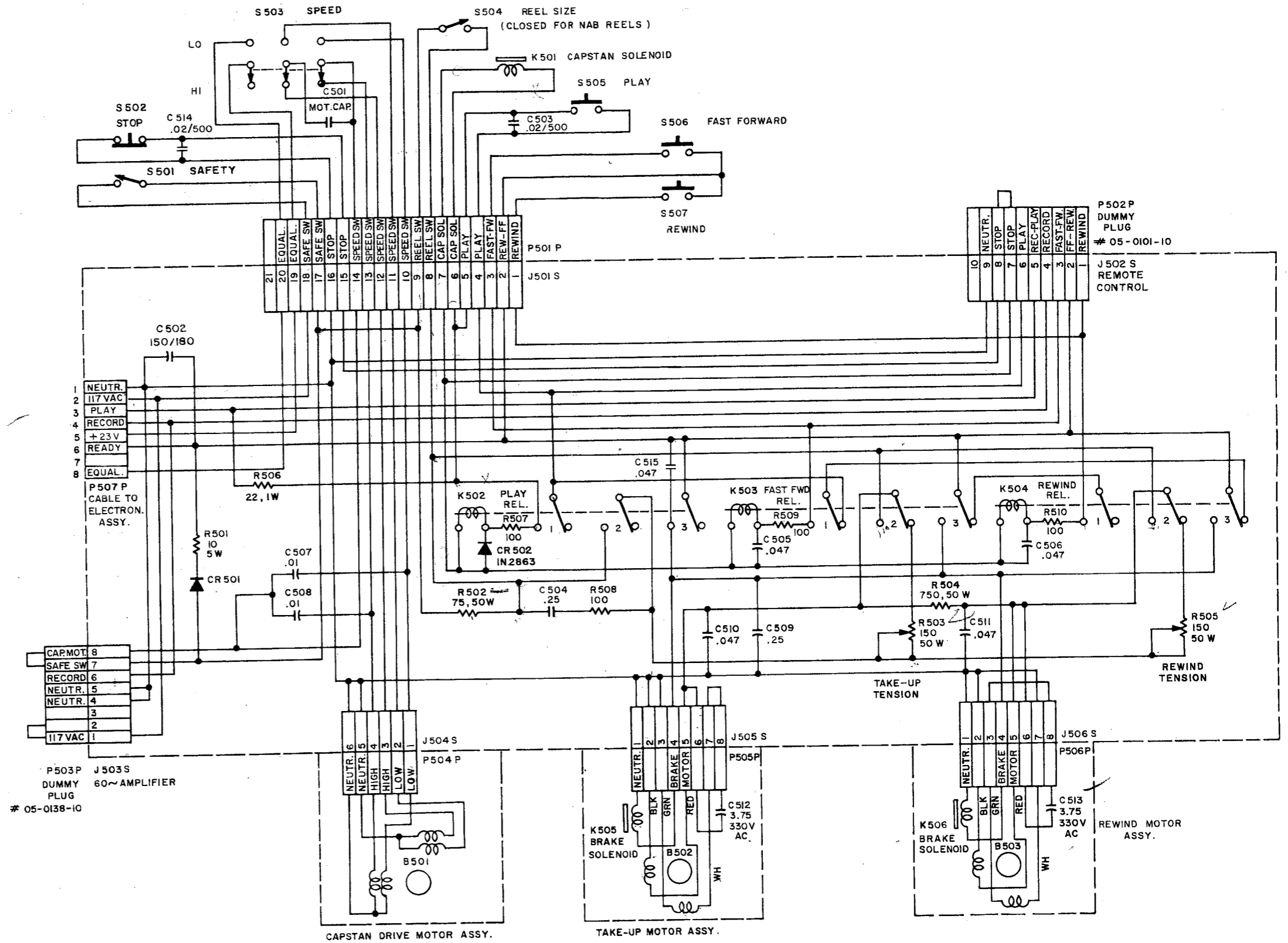


Fig. 7-1 Schematic Diagram, Tape Transport

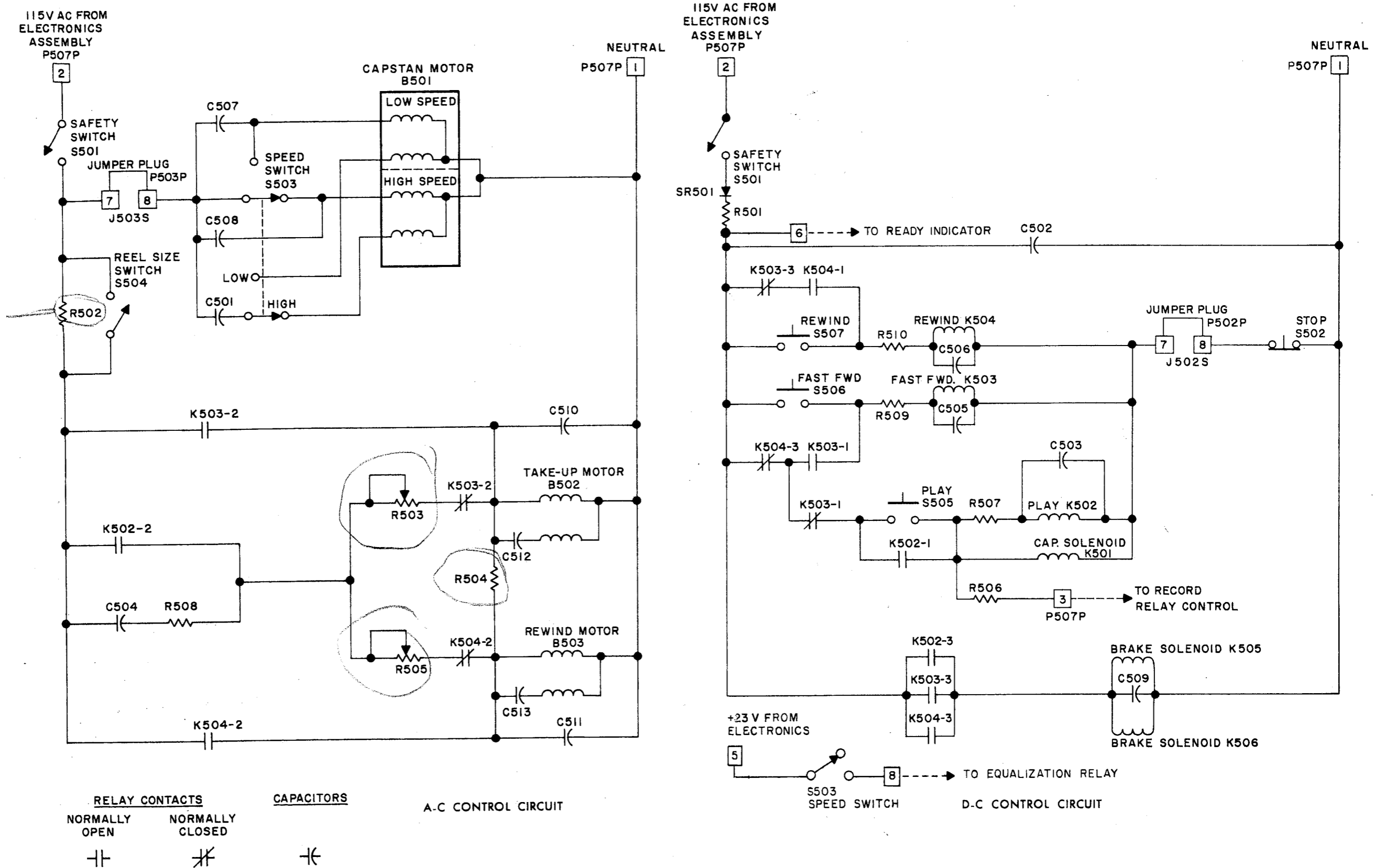


Fig. 7-2 Simplified Diagram, Tape Transport Controls

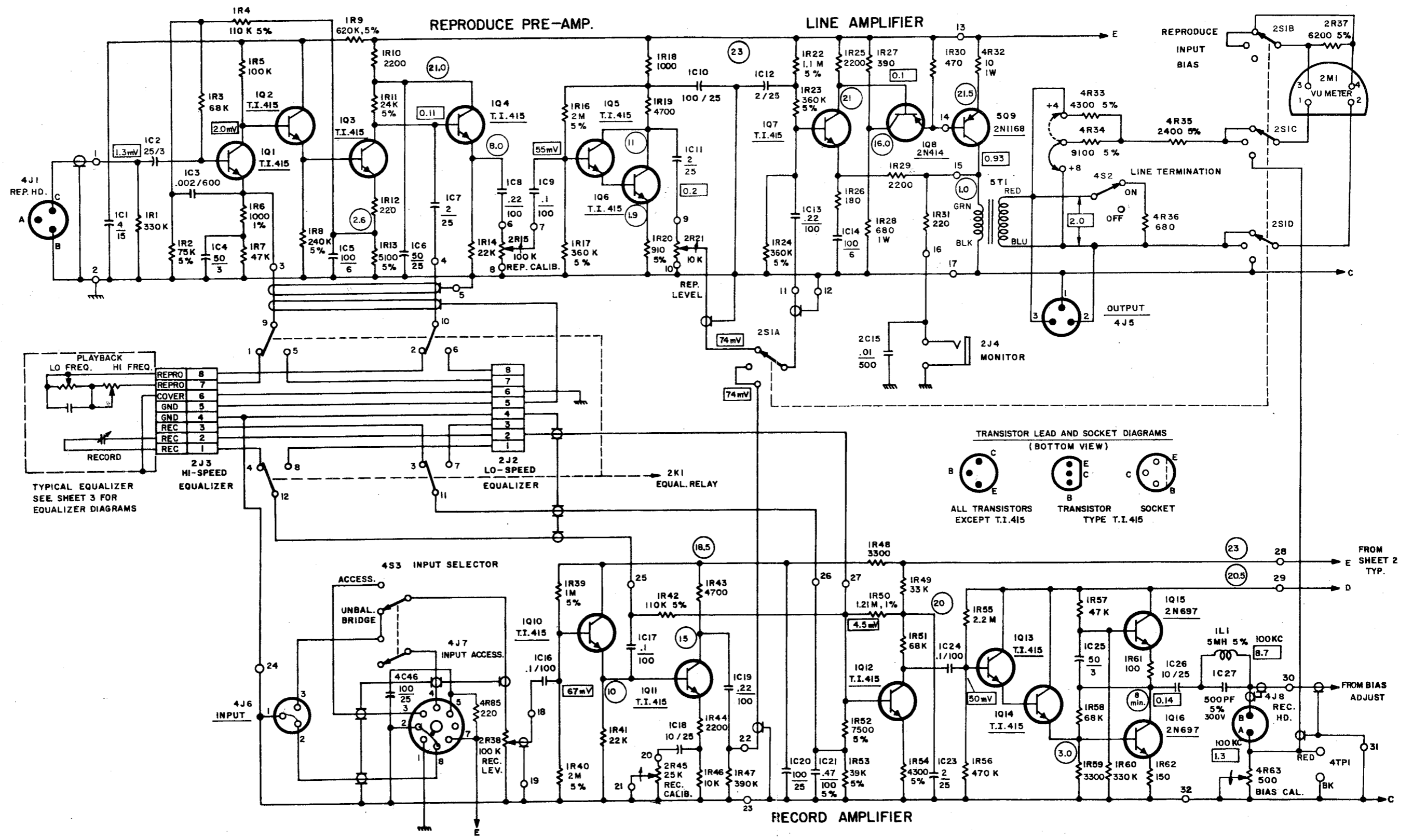
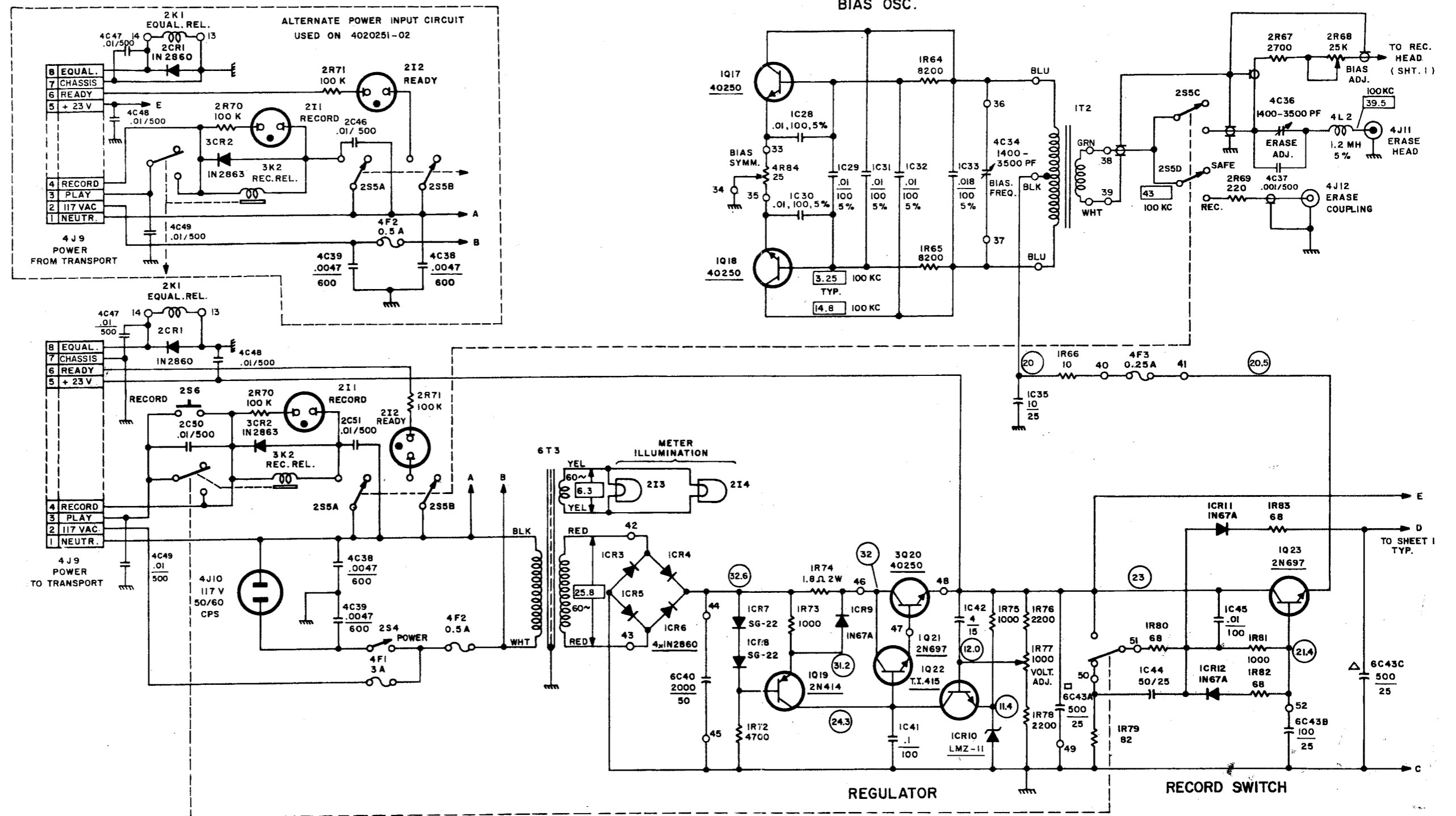


Fig. 7-3 Schematic Diagram, Record/Reproduce Electronics, Sheet 1 of 3



FOR NOTES SEE SHEET 3

TRANSISTOR LEAD AND SOCKET DIAGRAMS (BOTTOM VIEW)

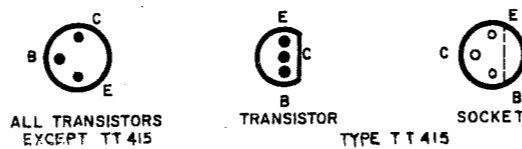
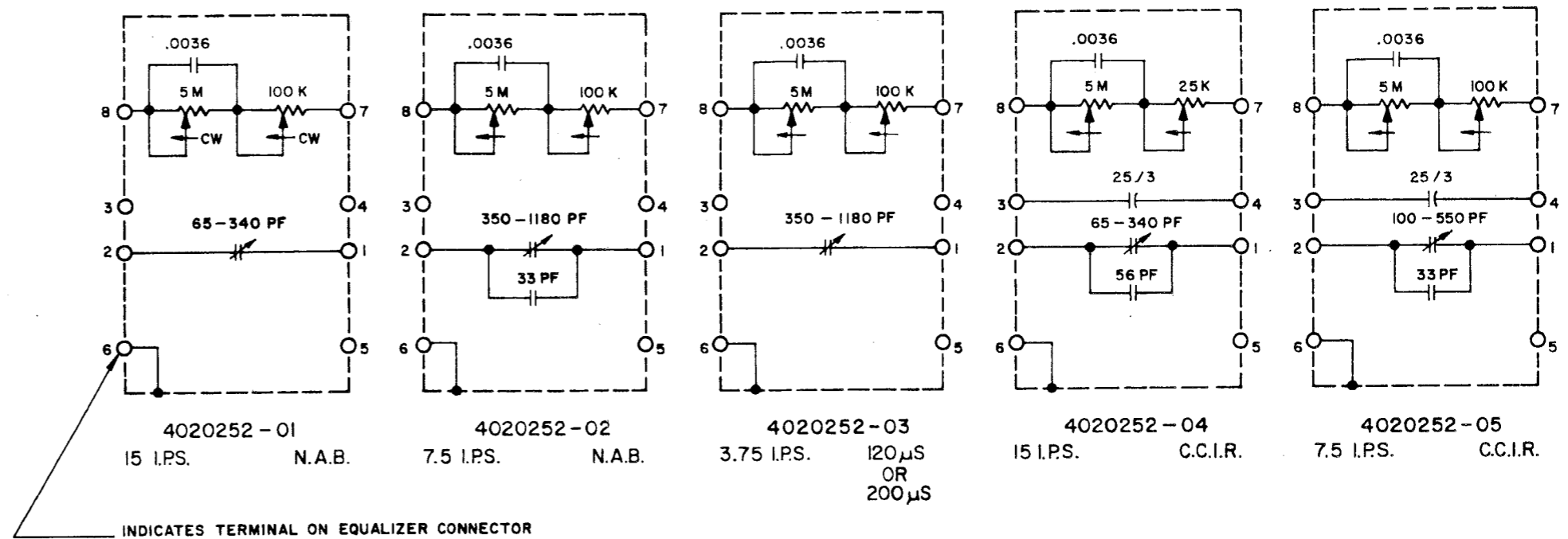


Fig. 7-4 Schematic Diagram, Record/Reproduce Electronics, Sheet 2 of 3



NOTES -

1. ALL RESISTORS IN OHMS, 1/2 W, 10%, UNLESS OTHERWISE SPECIFIED.
2. ALL CAPACITORS IN MFD, UNLESS OTHERWISE SPECIFIED.
3. COMPONENT LOCATION IS INDICATED BY FIRST DIGIT OF SCHEMATIC REFERENCE NUMBER :
  - 1 - PRINTED CIRCUIT BOARD
  - 2 - FRONT PANEL
  - 3 - LEFT PANEL (WHEN FACING FRONT)
  - 4 - BACK PANEL
  - 5 - RIGHT PANEL
  - 6 - POWER SUPPLY
4. <sup>15</sup> INDICATES TERMINAL ON P.C. BOARD.
5. <sup>23</sup> INDICATES D.C. VOLTAGE TO GROUND, MEASURED WITH A 20,000 Ω/V METER.
6. INDICATES SIGNAL VOLTAGE TO GROUND OR OTHER LINE AS MEASURED WITH A 10 MΩ INPUT VTVM.
  - 7.5 INDICATED AT 500 CPS WITH 7.5 I.P.S. N.A.B. EQUALIZER IN USE.
  - 60 CPS VOLTAGES MEASURED WITH A 5000 Ω/V METER.

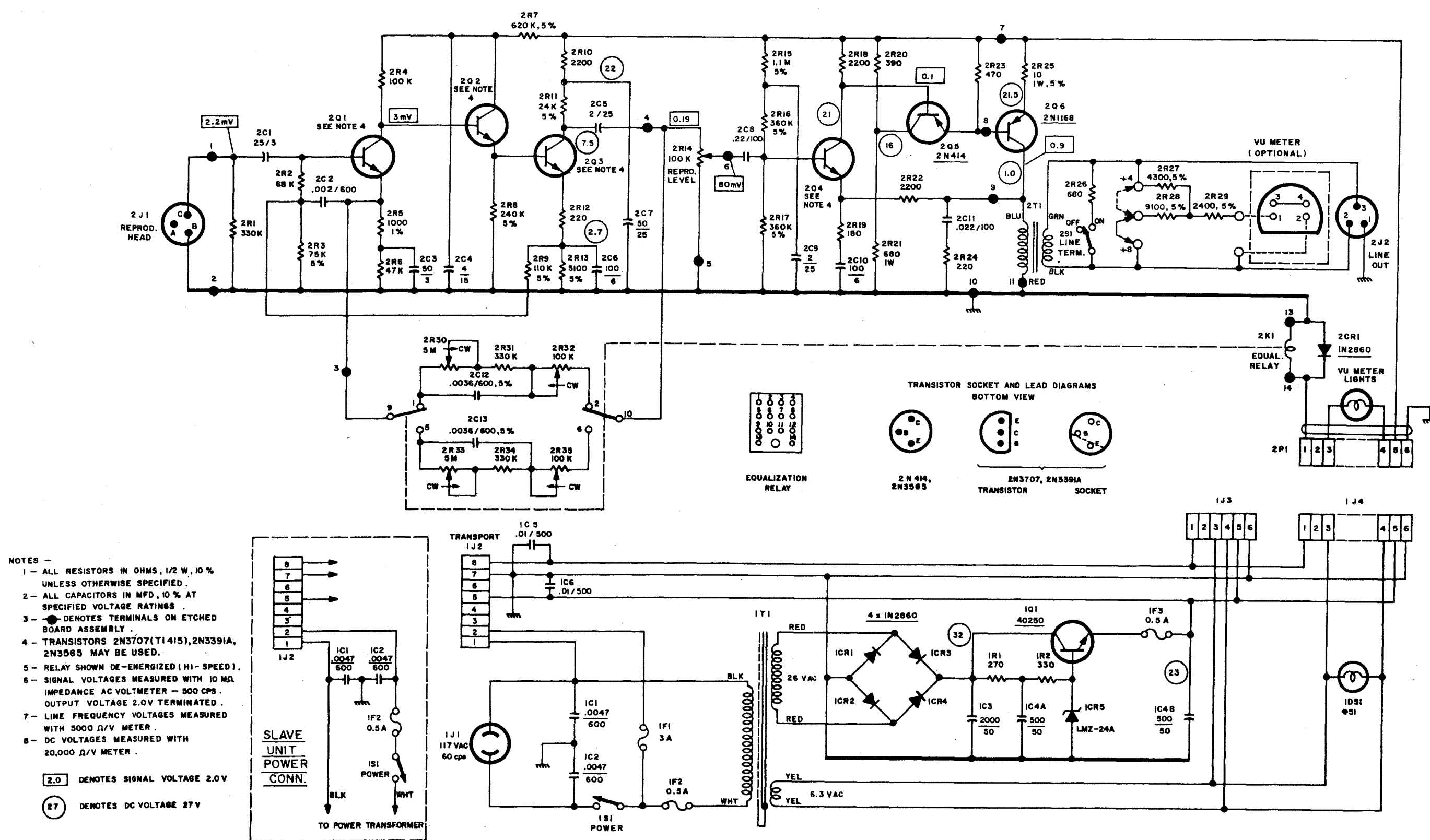
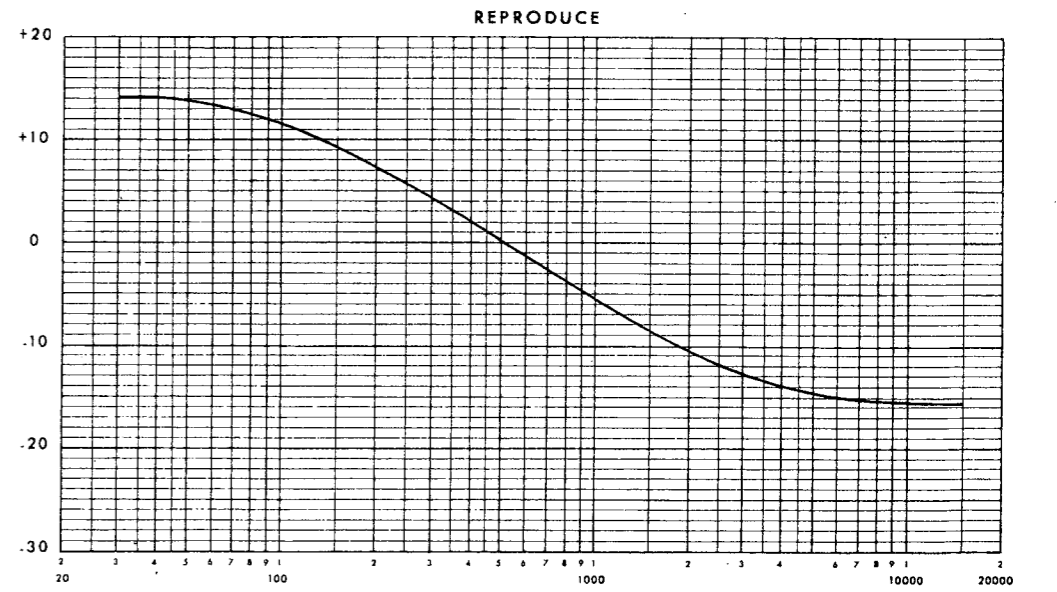
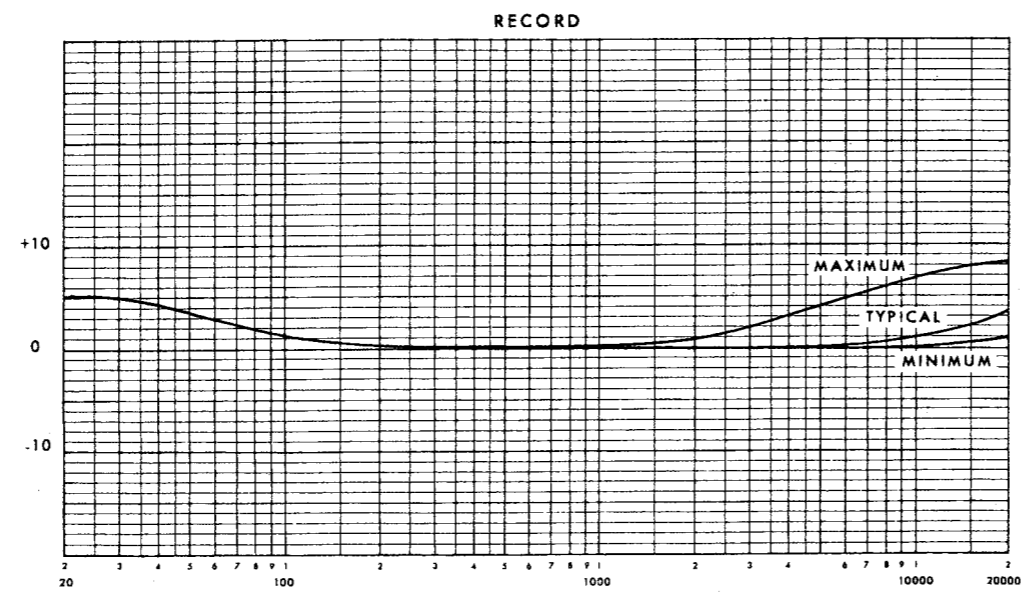
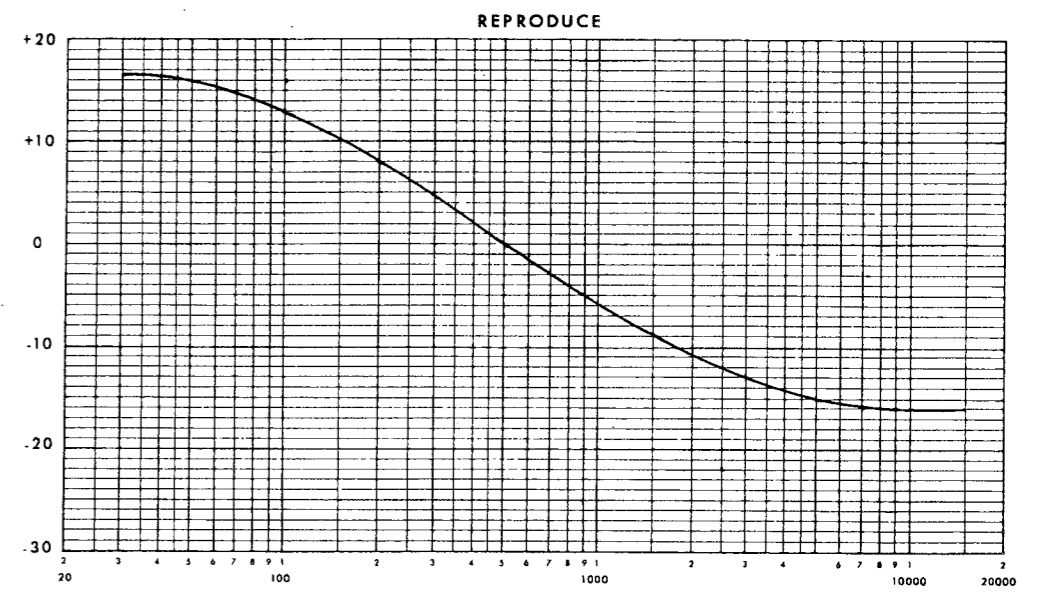
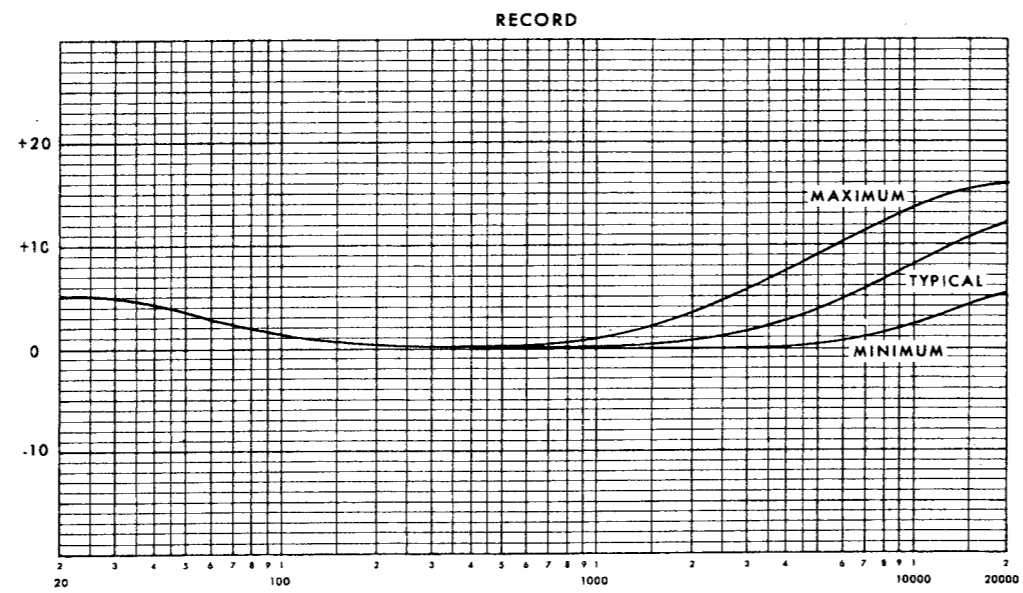
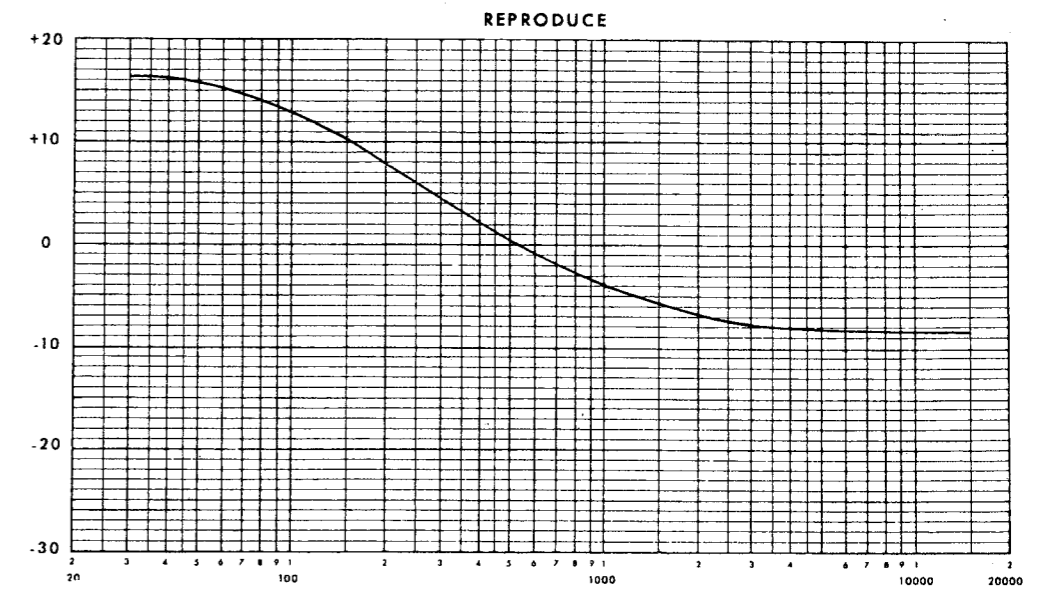
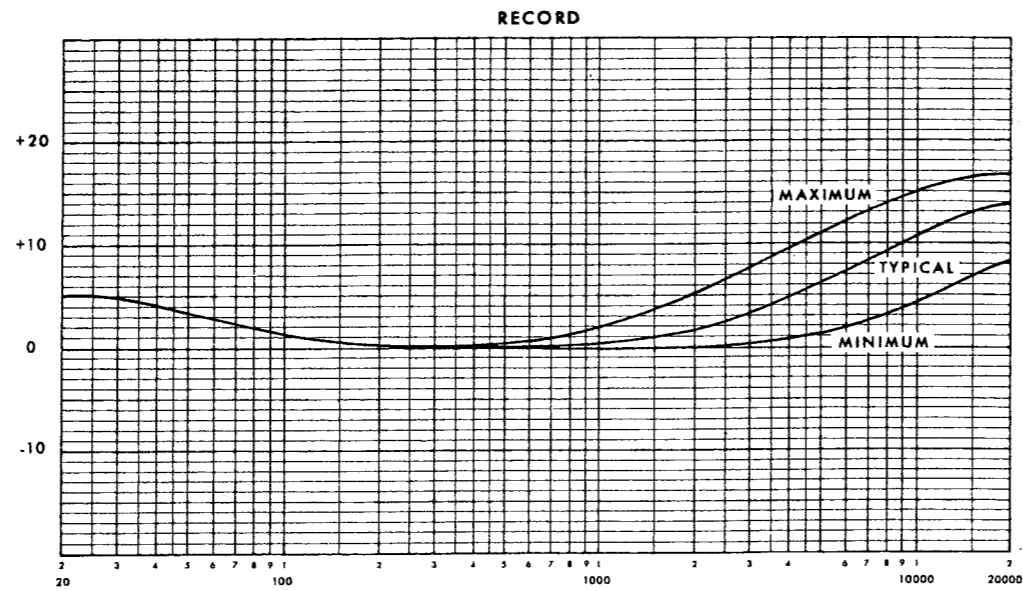
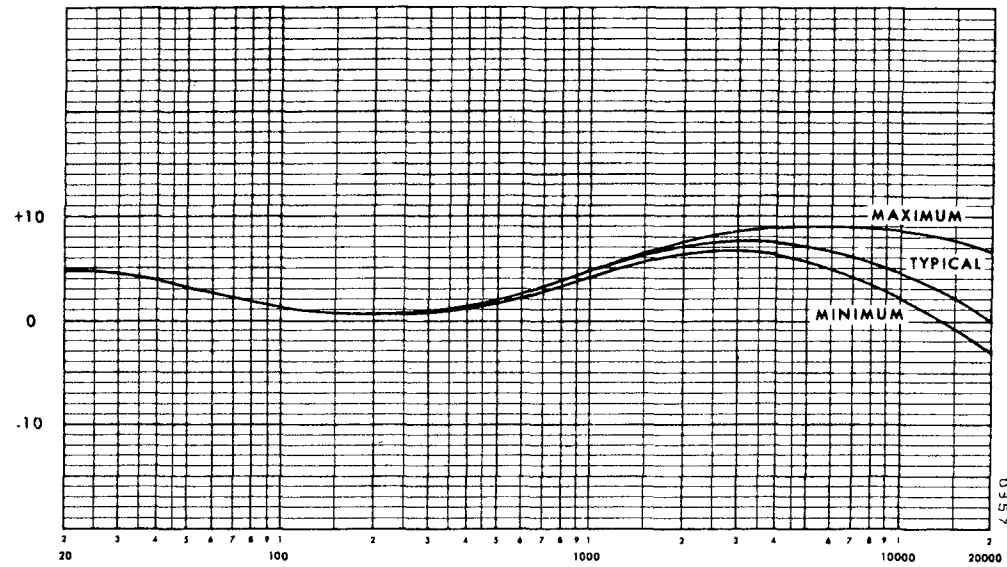


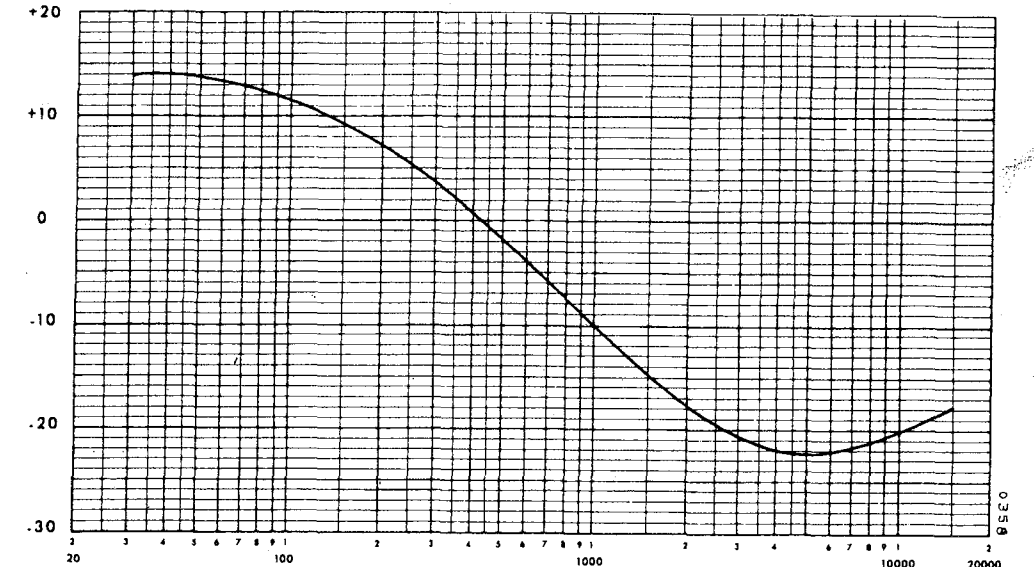
Fig. 7-6 Schematic Diagram, Reproduce-only Electronics





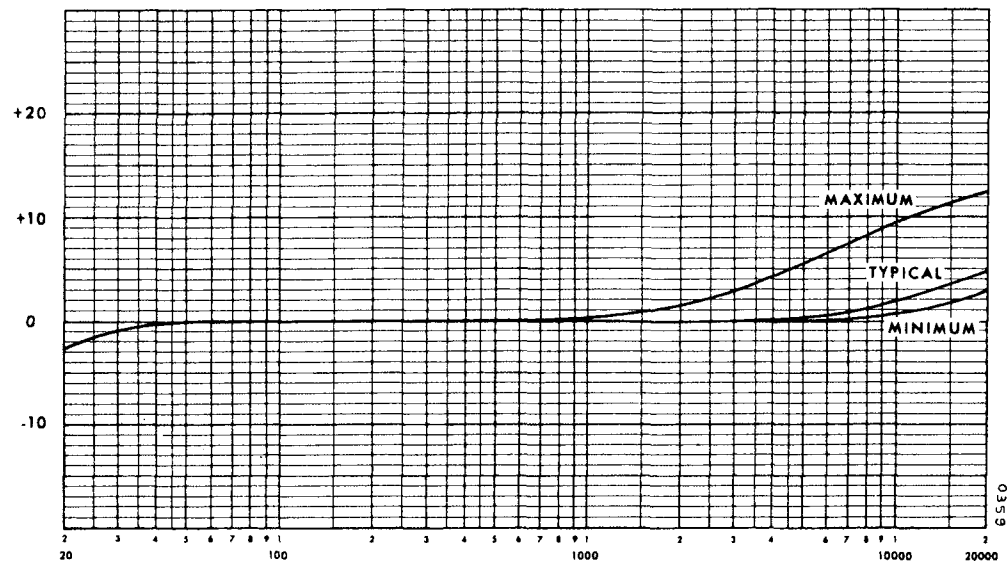


15 ips AME

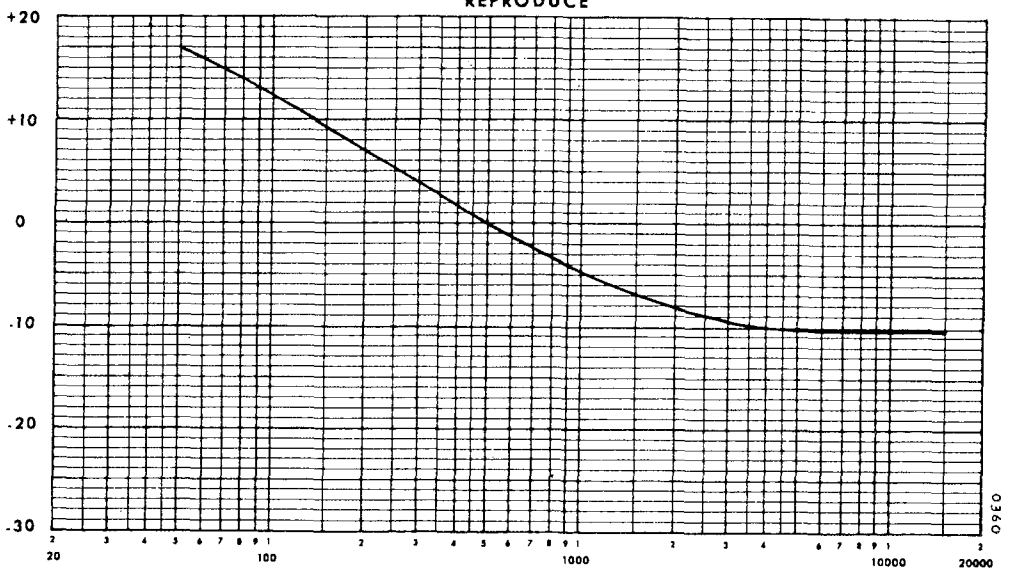


RECORD

REPRODUCE

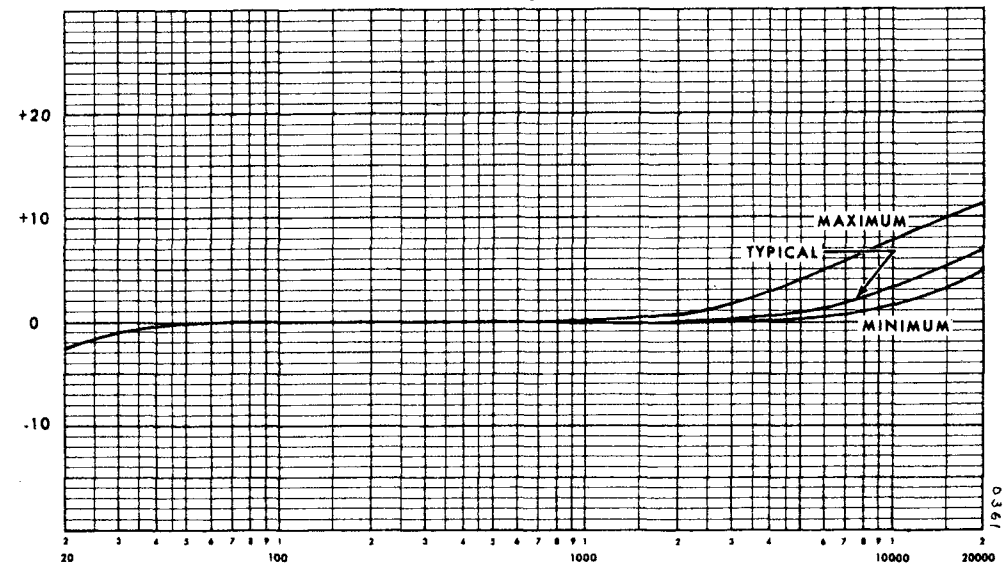


7 1/2 ips CCIR

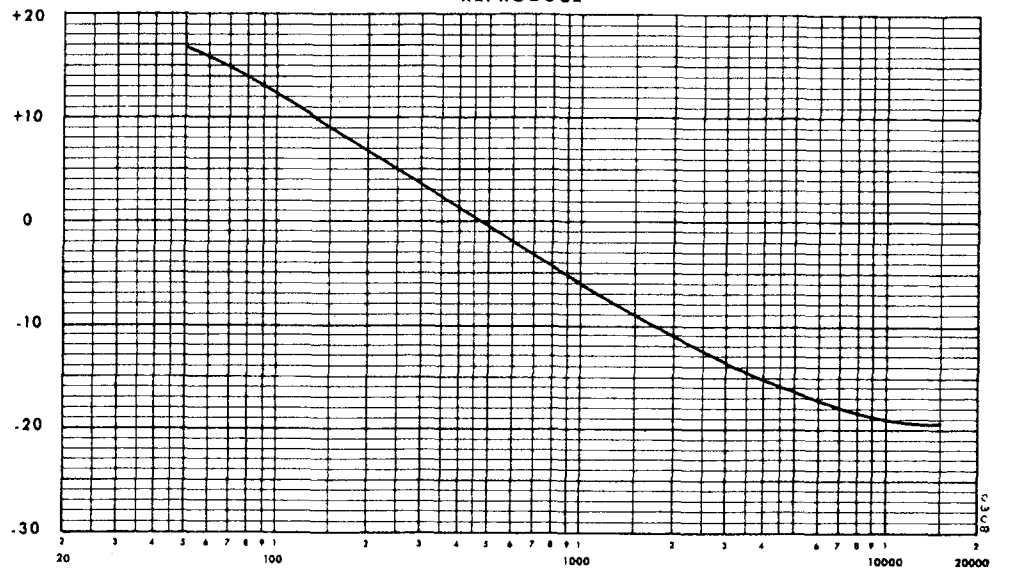


RECORD

REPRODUCE



15 ips CCIR



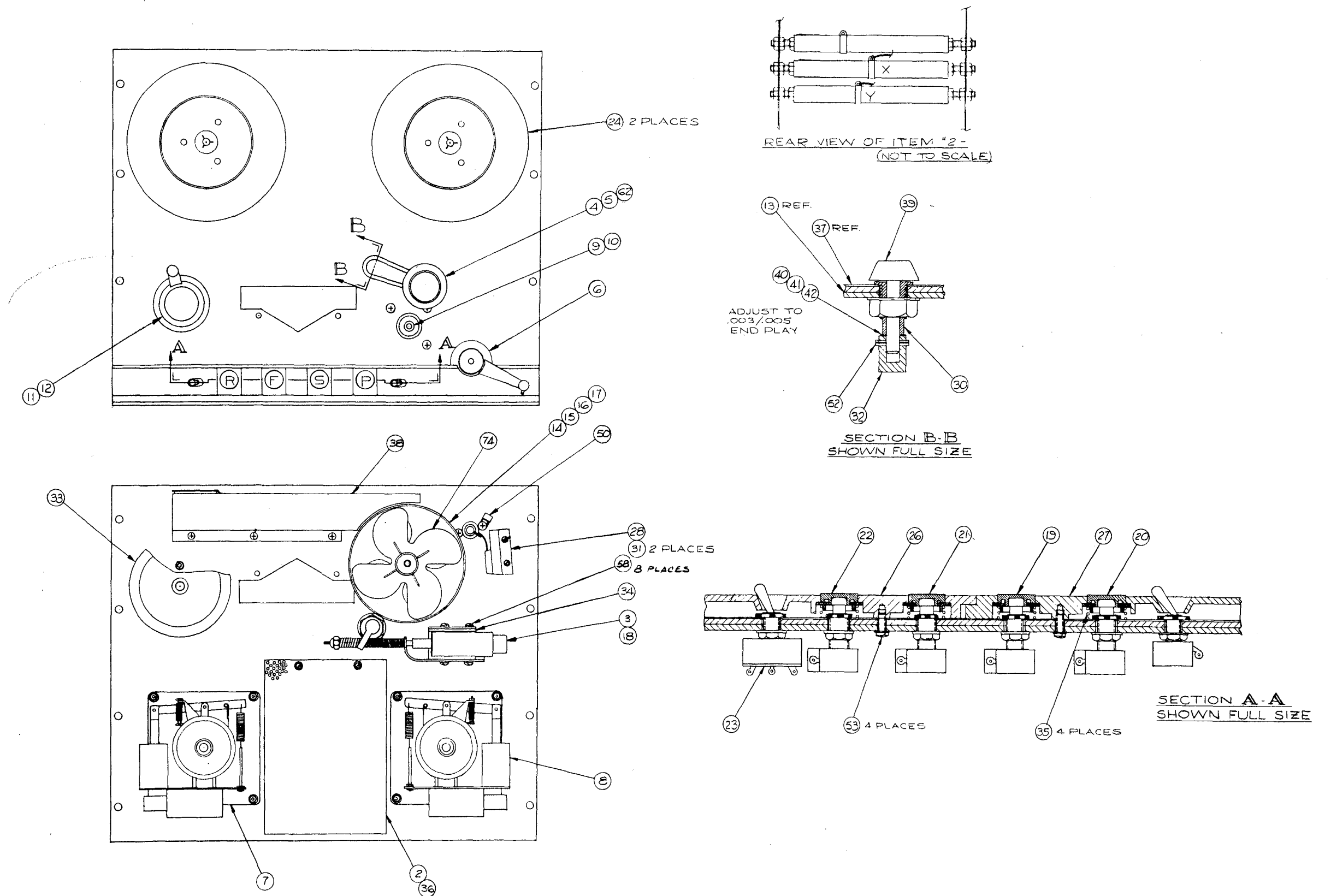


Fig. 7-9 Tape Transport Assembly

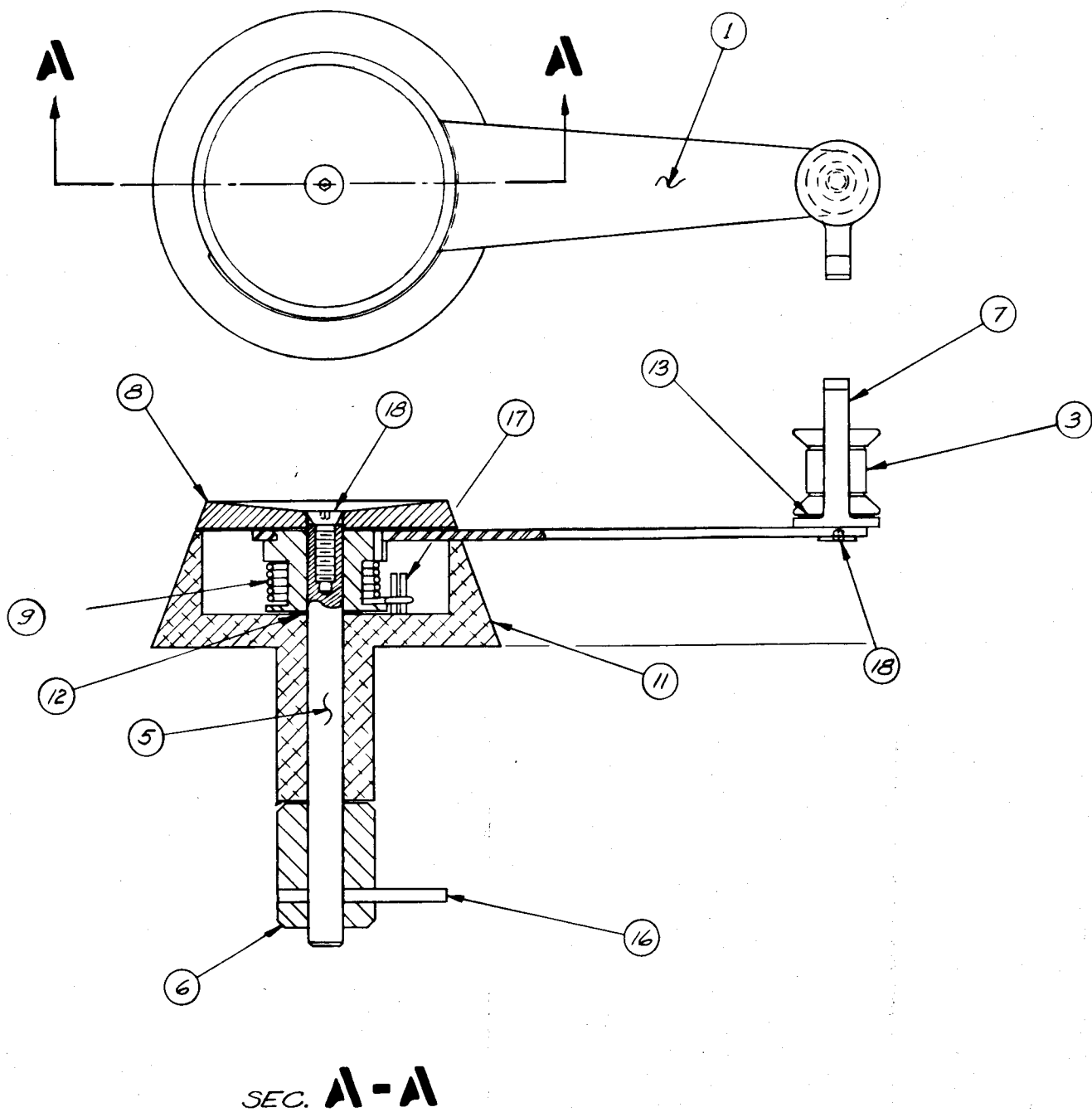
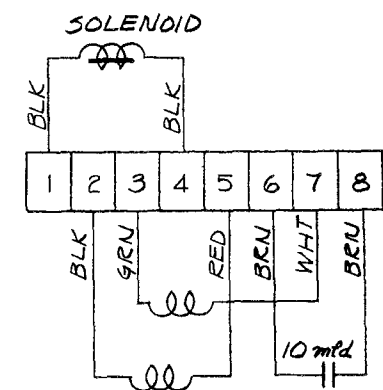
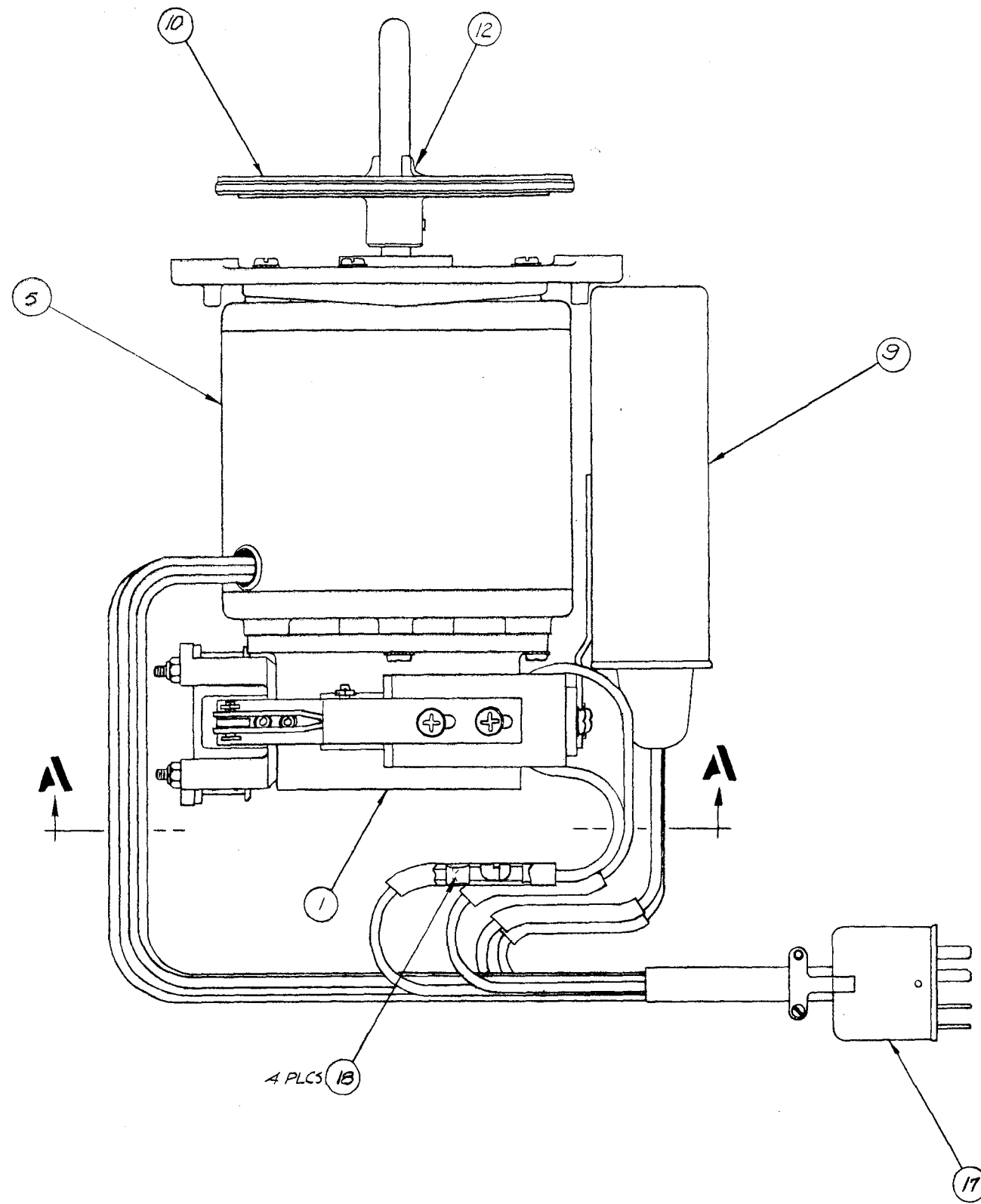


Fig. 7-10 Takeup Tension Arm Assembly



WIRING DIAGRAM  
PLUG J-506-P

Fig. 7-11 Typical Reel Drive Assembly (Rewind)

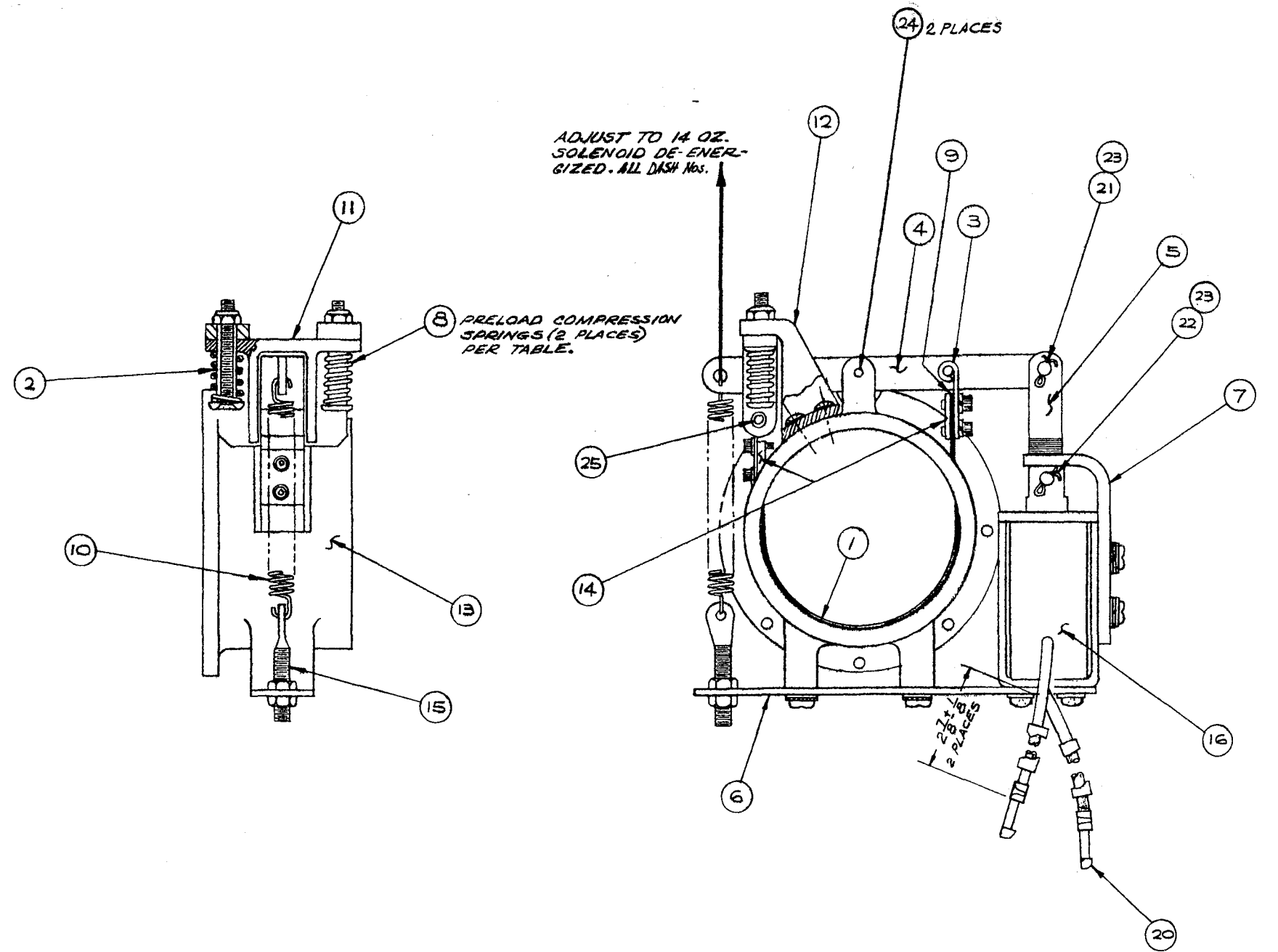


Fig. 7-12 Brake Assembly

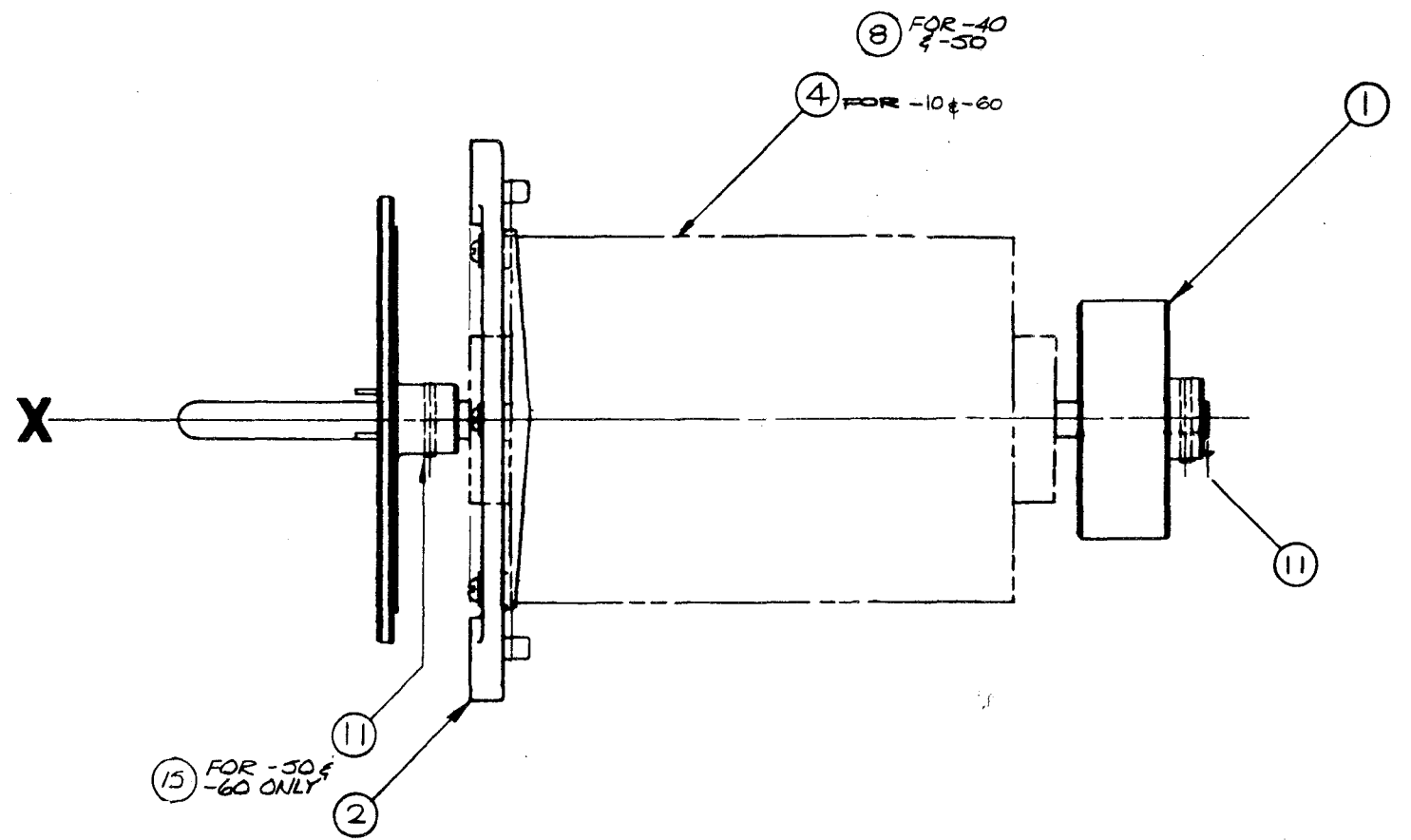
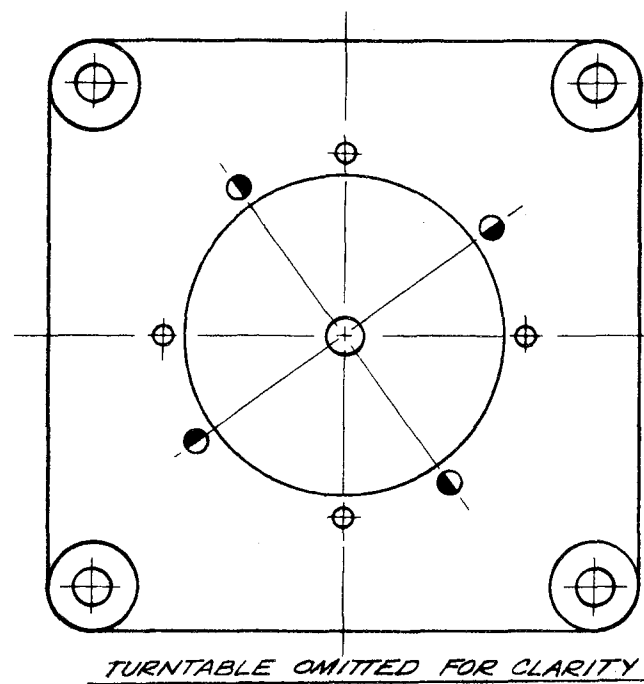
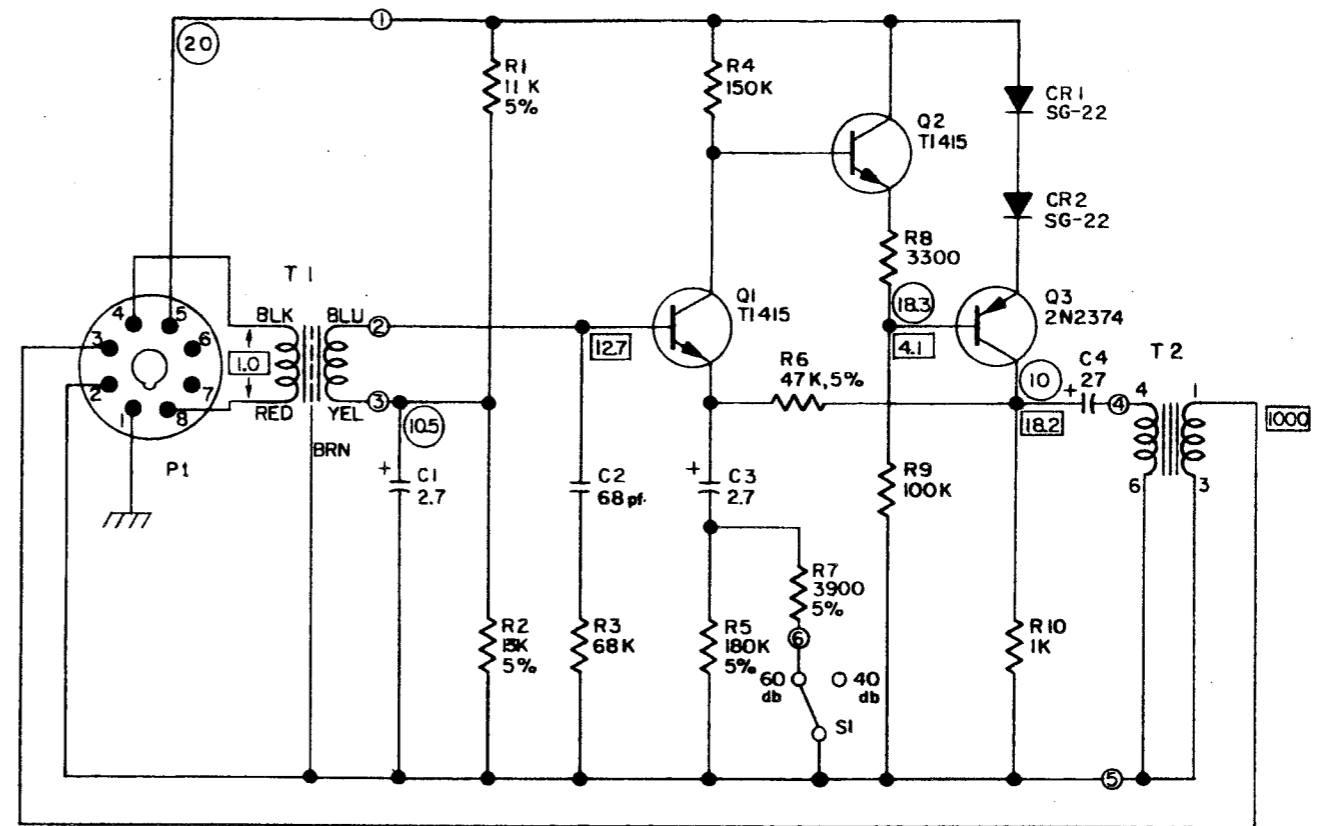
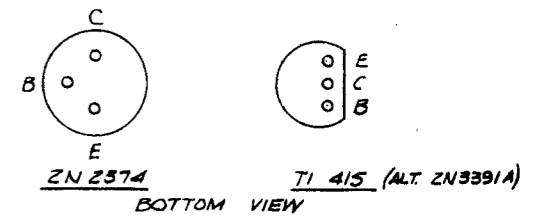


Fig. 7-13 Torque Motor Assembly

TRANSISTOR BASE DIAGRAM



NOTES:

1. DENOTES SHIELD CAN.
2. ALL RESISTORS ARE IN OHMS,  $\pm 10\%$ ,  $\frac{1}{4}$  WATT, UNLESS OTHERWISE SPECIFIED.
3. ALL CAPACITORS ARE IN MICROFARADS, 15 VOLT, UNLESS OTHERWISE SPECIFIED.
4.  $\textcircled{20}$  INDICATES D.C. VOLTAGE TO GROUND, MEASURED WITH A 20,000  $\Omega/V$  METER
5.  $\textcircled{10}$  INDICATES RMS MILLIVOLTS TO GROUND AT 500 CPS WITH "S1" IN 60 DB POSITION AND LOADED WITH 100K RESISTOR.
6. TRANSISTORS Q1 & Q2-T1415 IS INTERCHANGEABLE WITH 2N 3391 A.

Fig. 7-14 Schematic Diagram, Microphone Preamplifier