

Fig. 7-1 Schematic Diagram, Tape Transport

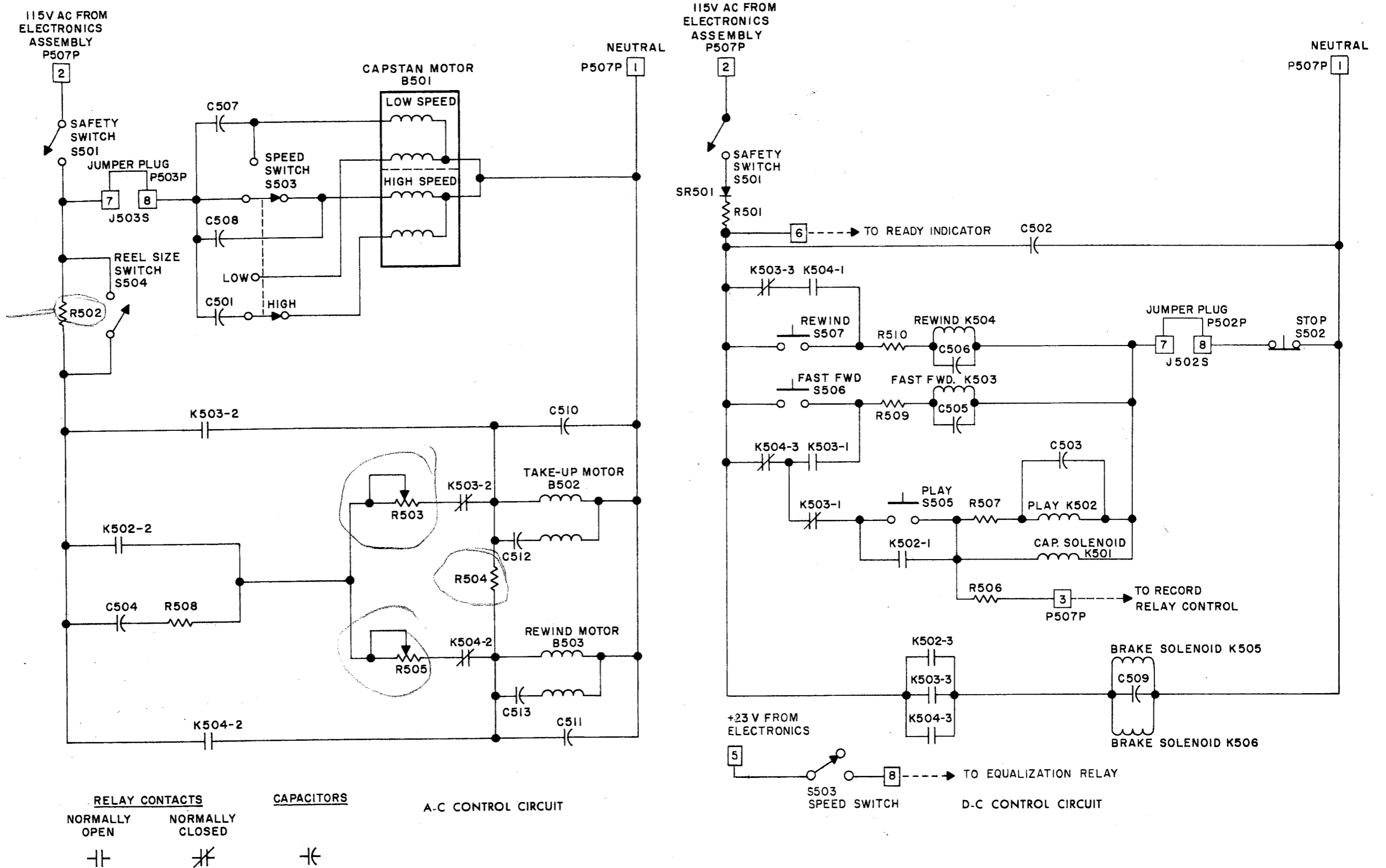
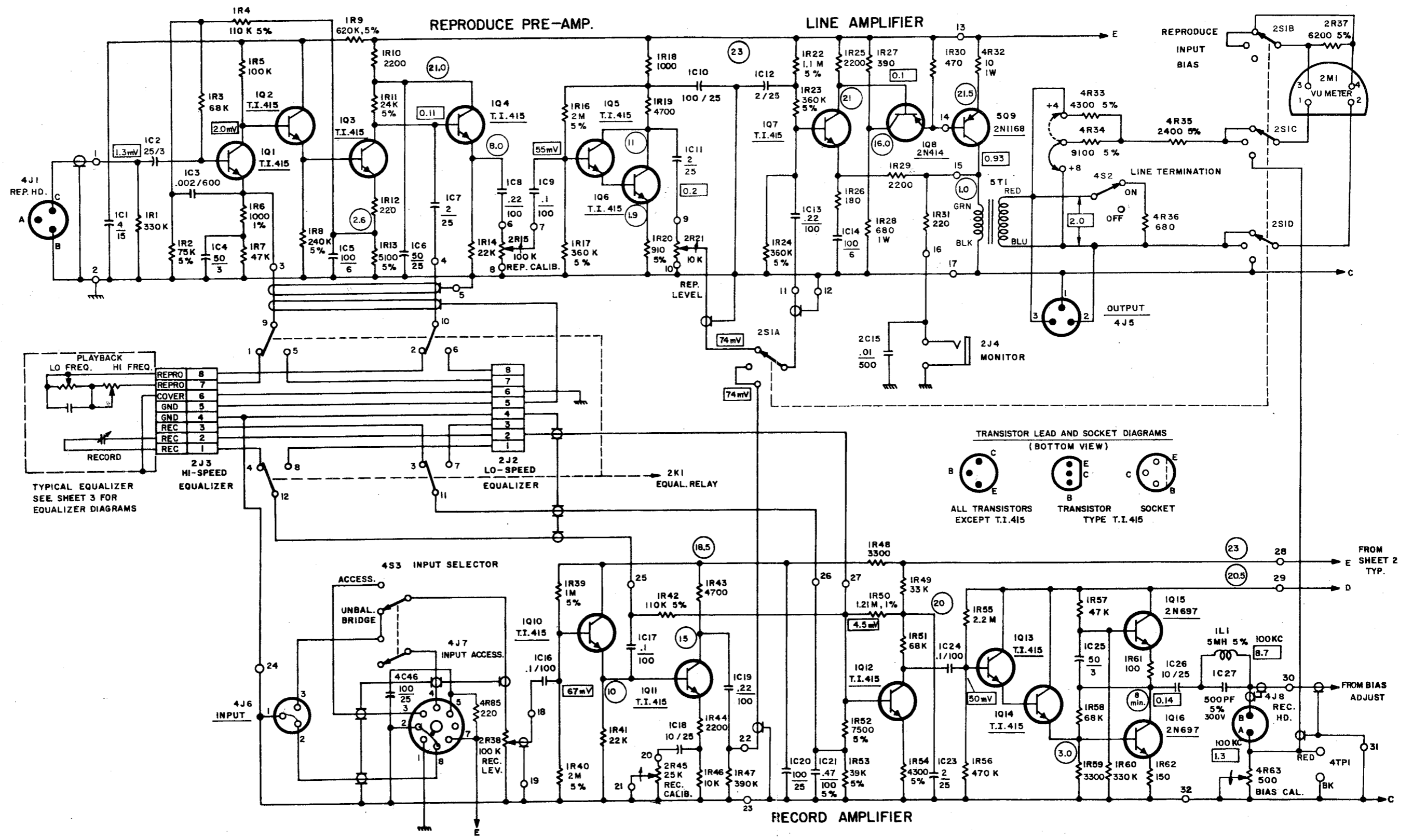
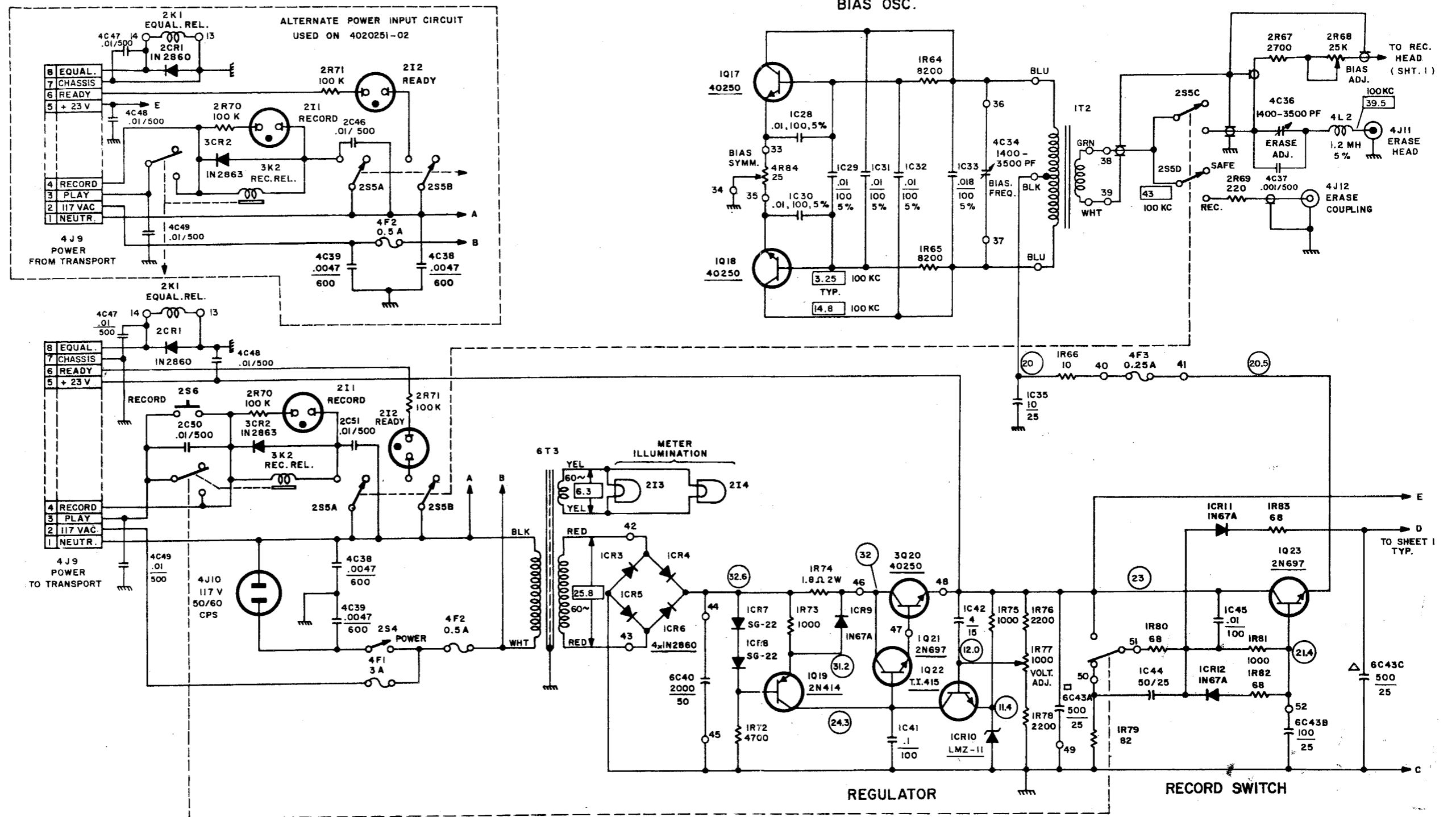


Fig. 7-2 Simplified Diagram, Tape Transport Controls



FOR NOTES SEE SHEET 3

Fig. 7-3 Schematic Diagram, Record/Reproduce Electronics, Sheet 1 of 3



FOR NOTES SEE SHEET 3

TRANSISTOR LEAD AND SOCKET DIAGRAMS (BOTTOM VIEW)

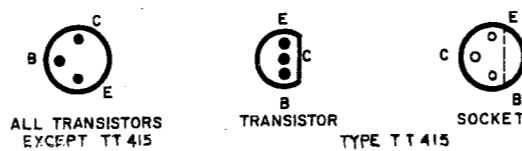
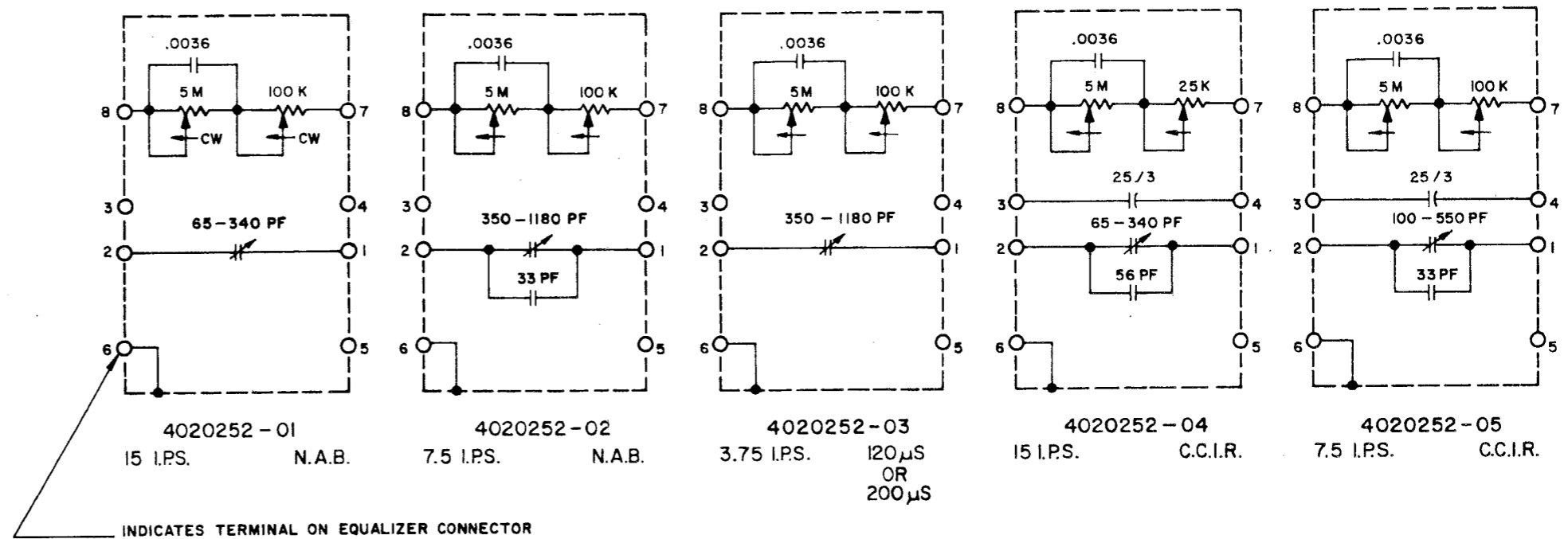
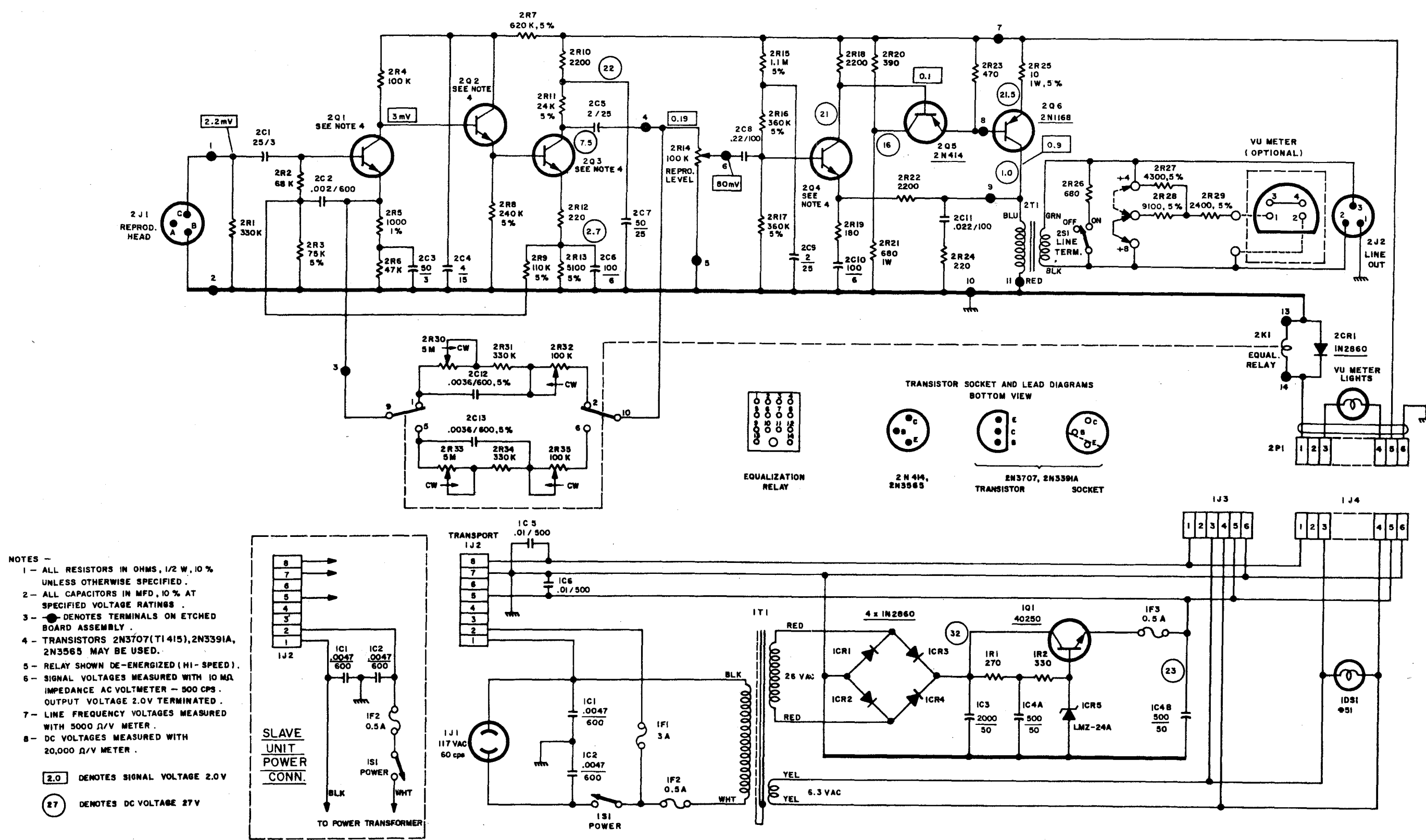


Fig. 7-4 Schematic Diagram, Record/Reproduce Electronics, Sheet 2 of 3



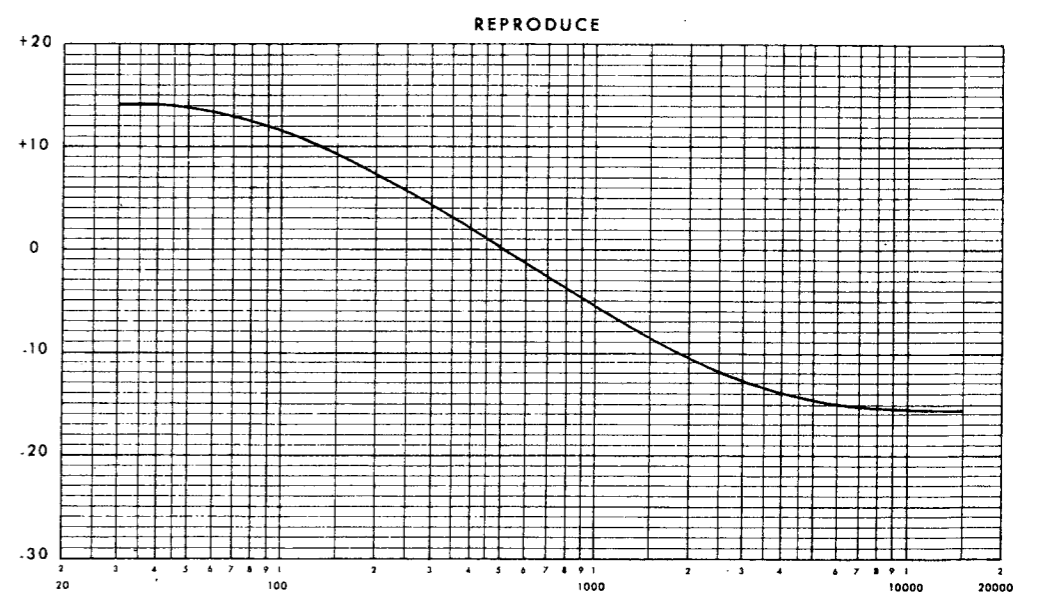
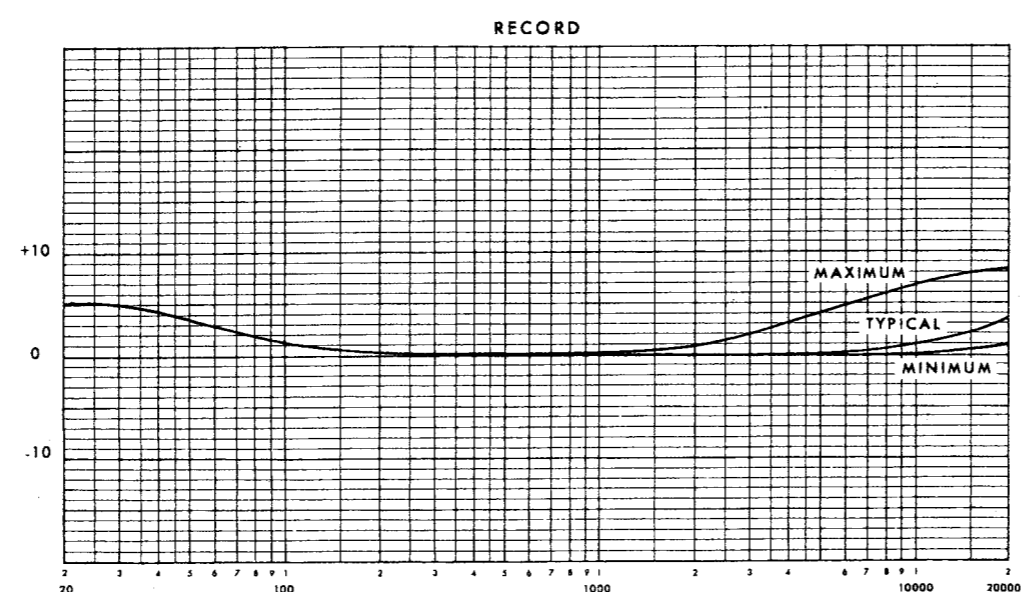
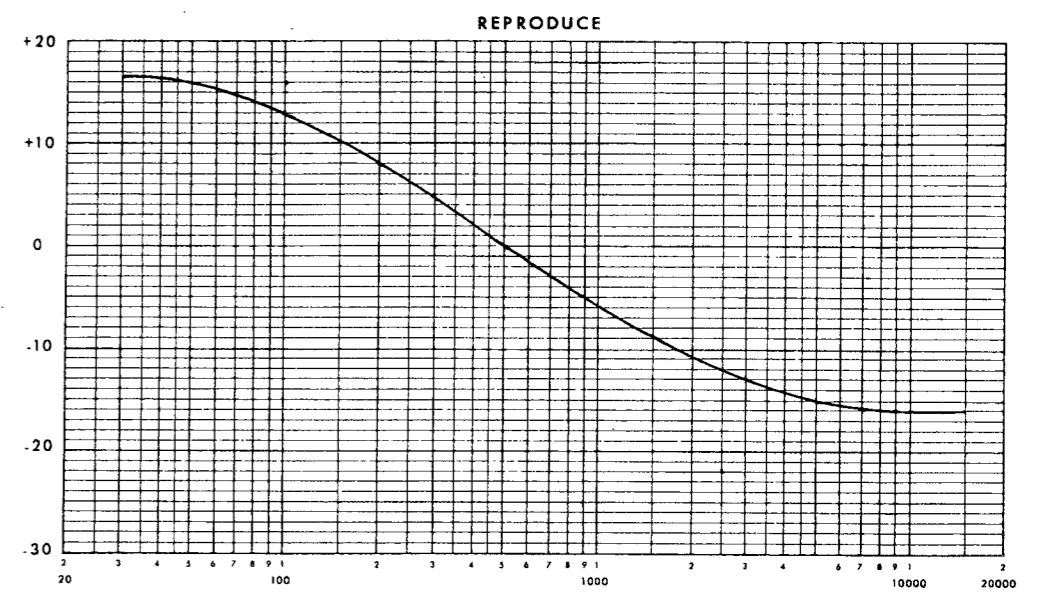
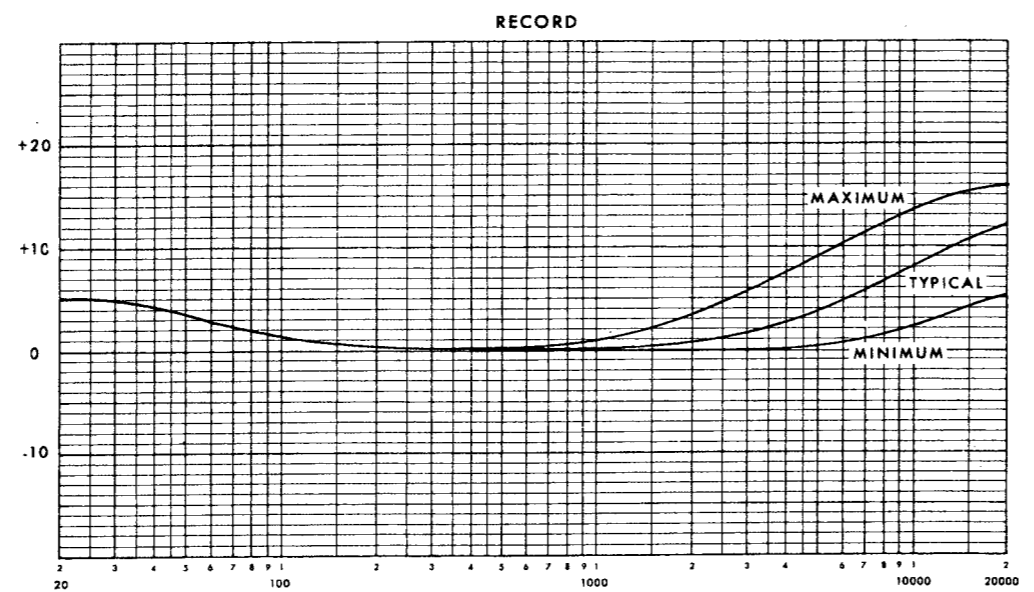
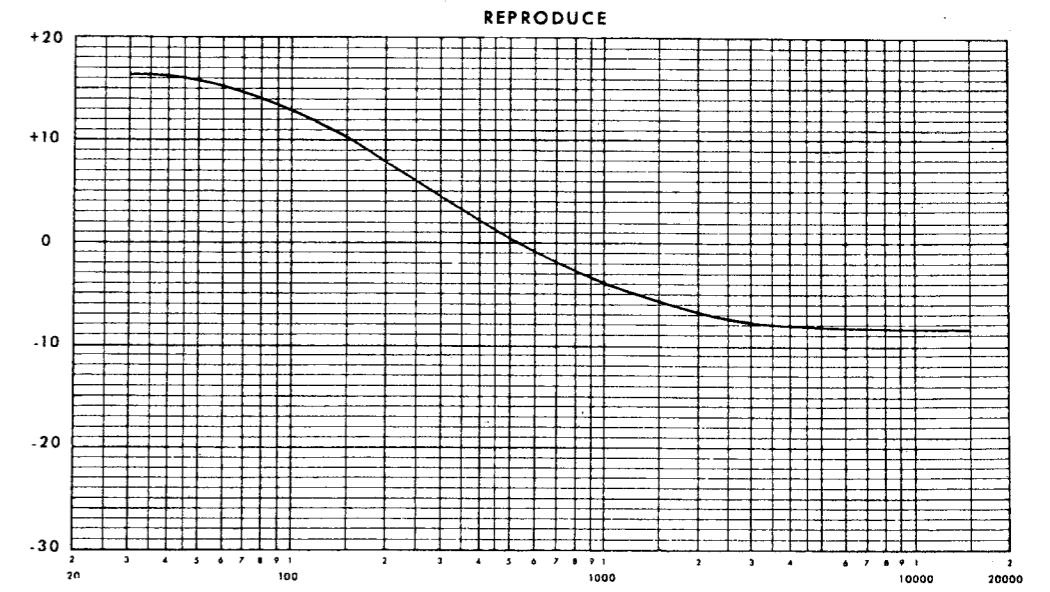
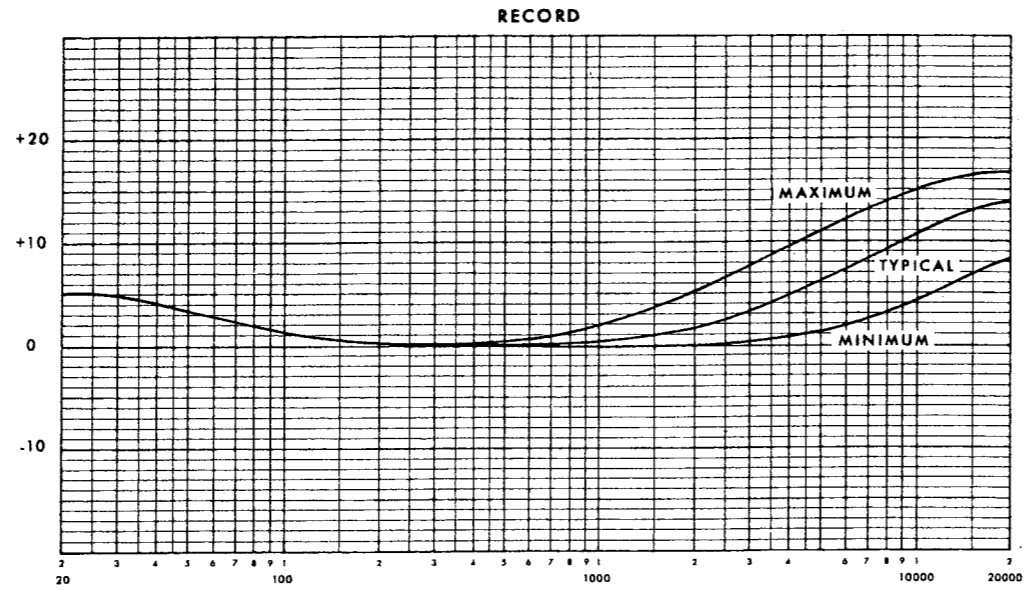
NOTES -

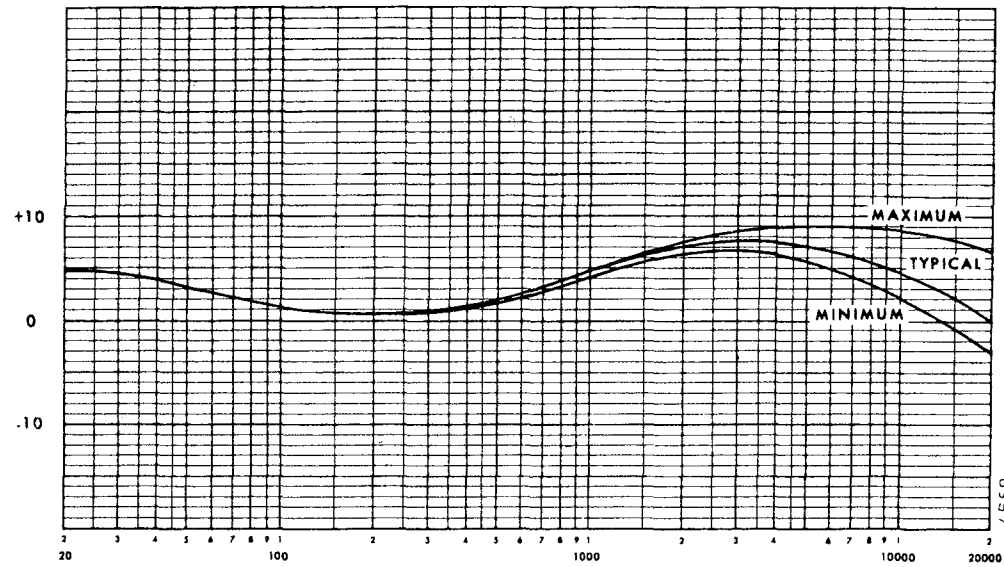
1. ALL RESISTORS IN OHMS, 1/2 W, 10%, UNLESS OTHERWISE SPECIFIED.
2. ALL CAPACITORS IN MFD, UNLESS OTHERWISE SPECIFIED.
3. COMPONENT LOCATION IS INDICATED BY FIRST DIGIT OF SCHEMATIC REFERENCE NUMBER :
  - 1 - PRINTED CIRCUIT BOARD
  - 2 - FRONT PANEL
  - 3 - LEFT PANEL (WHEN FACING FRONT)
  - 4 - BACK PANEL
  - 5 - RIGHT PANEL
  - 6 - POWER SUPPLY
4. <sup>15</sup> INDICATES TERMINAL ON P.C. BOARD.
5. <sup>23</sup> INDICATES D.C. VOLTAGE TO GROUND, MEASURED WITH A 20,000  $\Omega$ /V METER.
6. INDICATES SIGNAL VOLTAGE TO GROUND OR OTHER LINE AS MEASURED WITH A 10 M $\Omega$  INPUT VTVM.
  - 7.5 INDICATED AT 500 CPS WITH 7.5 I.P.S. N.A.B. EQUALIZER IN USE.
  - 60 CPS VOLTAGES MEASURED WITH A 5000  $\Omega$ /V METER.



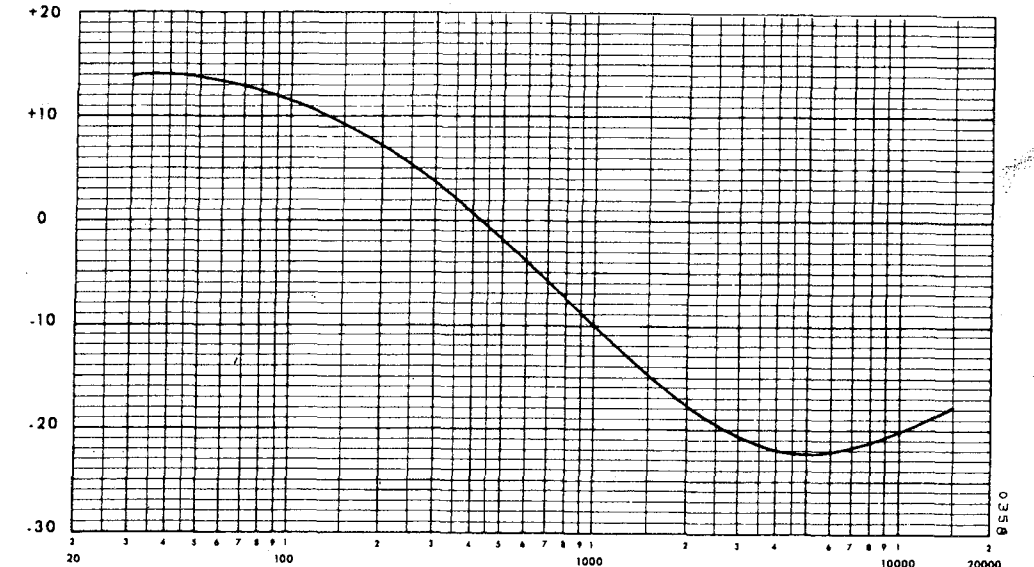
- NOTES -
- 1 - ALL RESISTORS IN OHMS, 1/2 W, 10% UNLESS OTHERWISE SPECIFIED.
  - 2 - ALL CAPACITORS IN MFD, 10% AT SPECIFIED VOLTAGE RATINGS.
  - 3 - ● DENOTES TERMINALS ON ETCHED BOARD ASSEMBLY.
  - 4 - TRANSISTORS 2N3707(TI415), 2N3391A, 2N3565 MAY BE USED.
  - 5 - RELAY SHOWN DE-ENERGIZED (HI-SPEED).
  - 6 - SIGNAL VOLTAGES MEASURED WITH 10 MΩ IMPEDANCE AC VOLTMETER - 500 CPS. OUTPUT VOLTAGE 2.0V TERMINATED.
  - 7 - LINE FREQUENCY VOLTAGES MEASURED WITH 5000 Ω/V METER.
  - 8 - DC VOLTAGES MEASURED WITH 20,000 Ω/V METER.
- 2.0 DENOTES SIGNAL VOLTAGE 2.0V
- 27 DENOTES DC VOLTAGE 27V

Fig. 7-6 Schematic Diagram, Reproduce-only Electronics



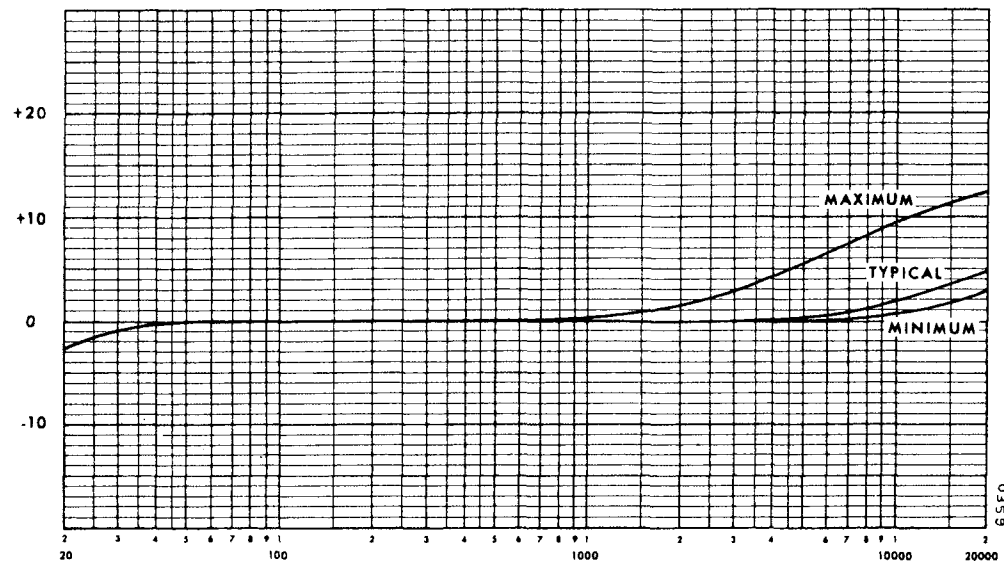


15 ips AME

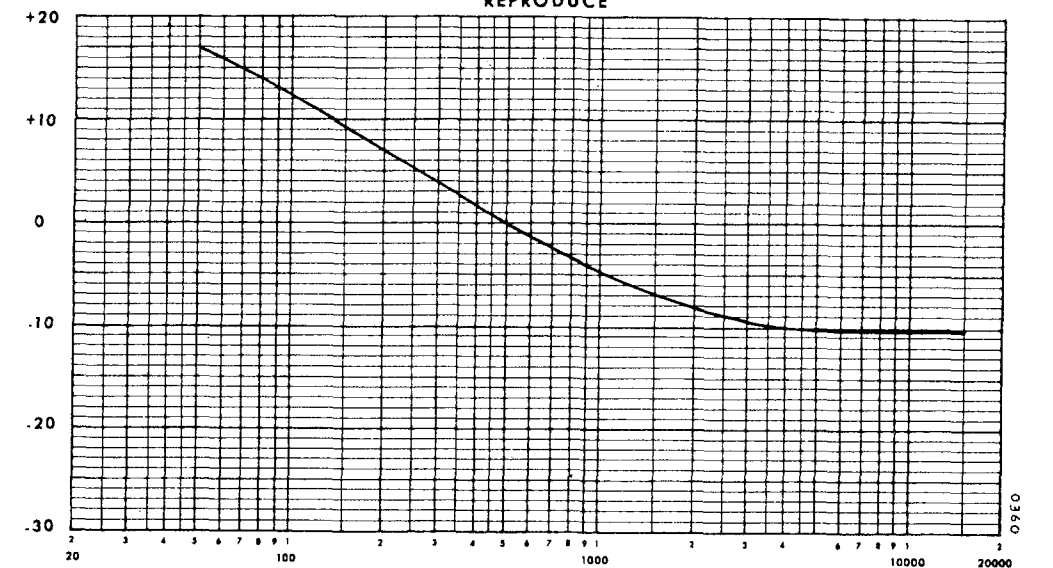


RECORD

REPRODUCE

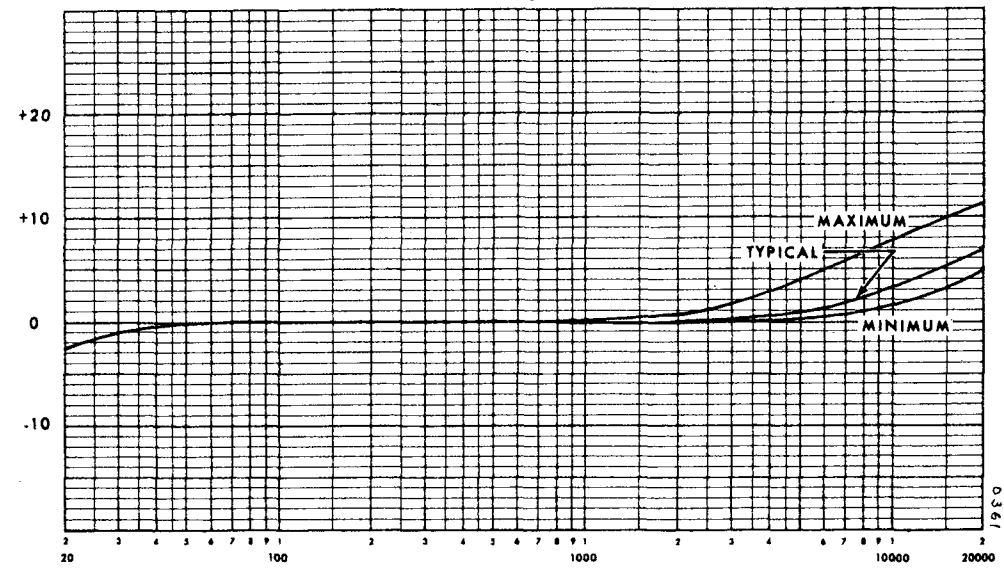


7 1/2 ips CCIR

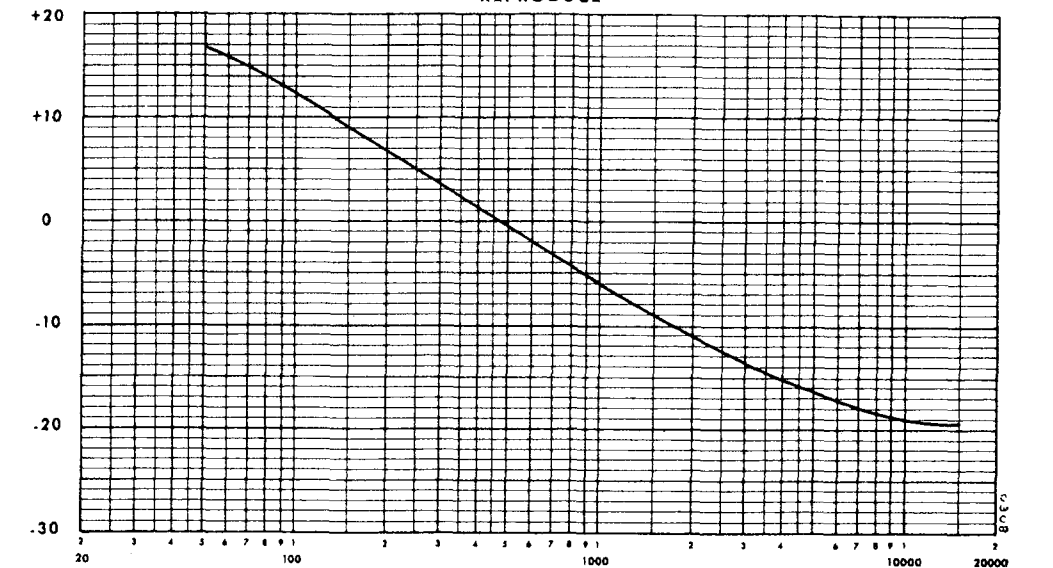


RECORD

REPRODUCE



15 ips CCIR





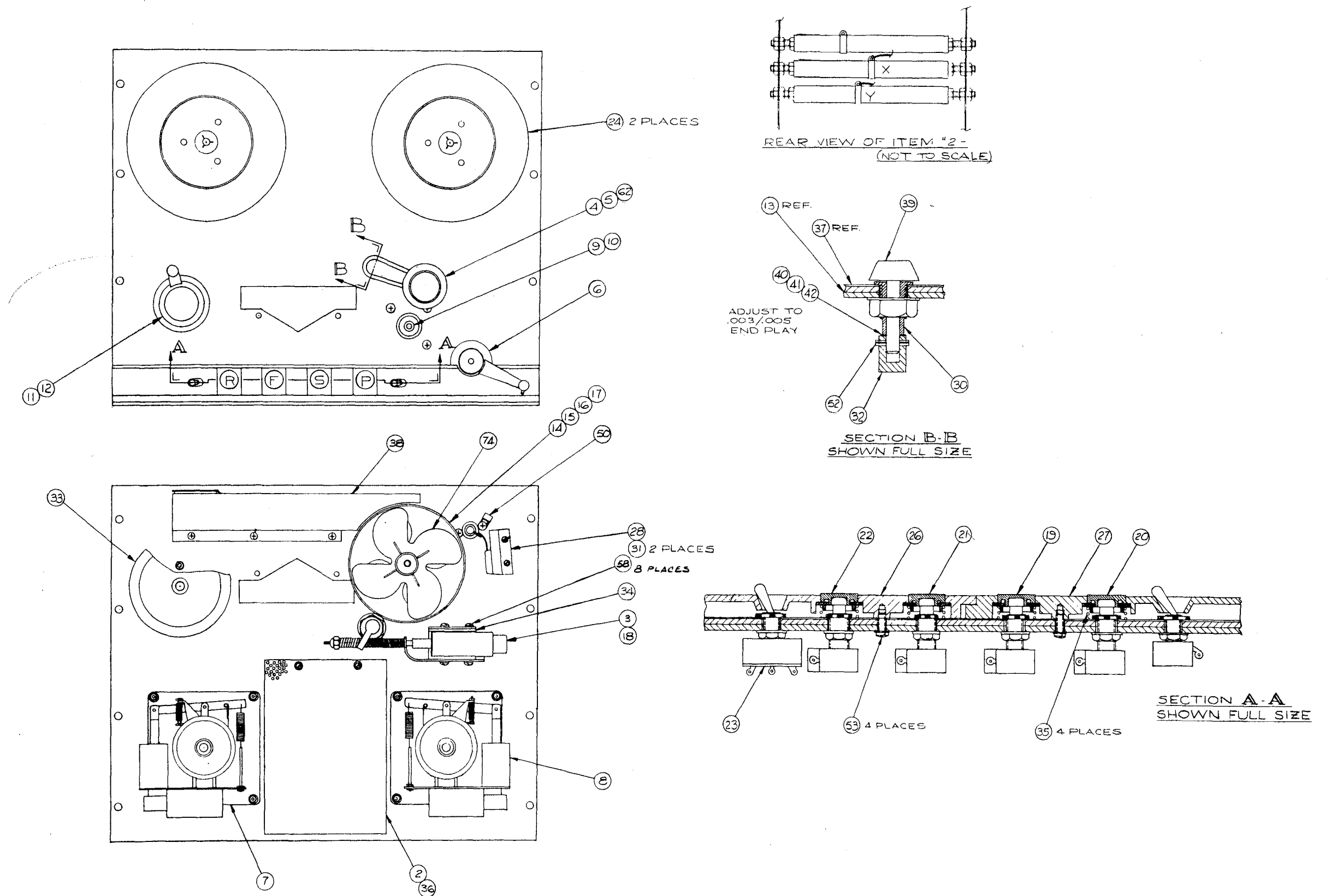
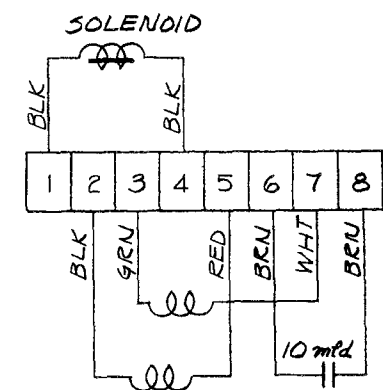
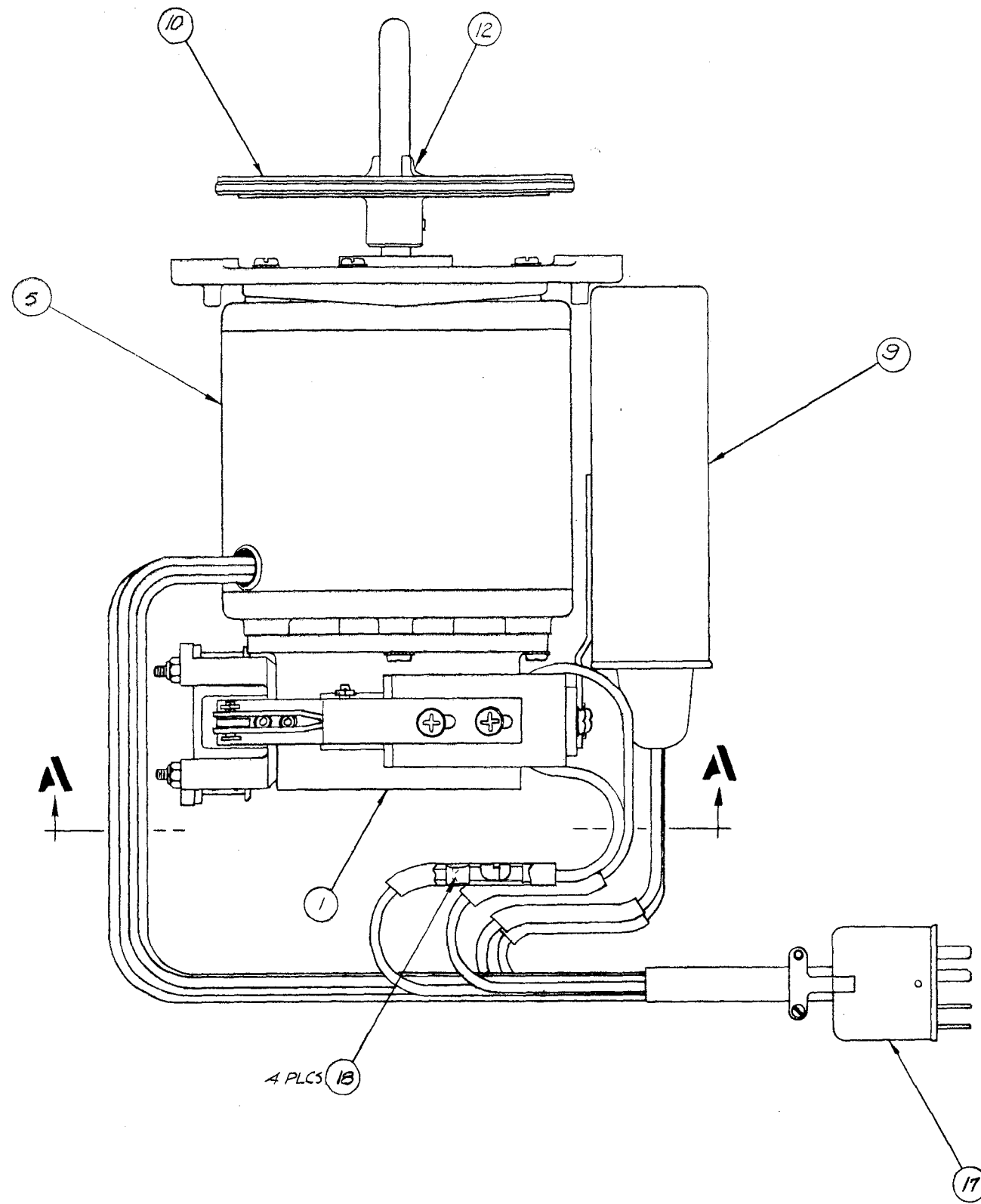


Fig. 7-9 Tape Transport Assembly



SOLENOID  
 1 2 3 4 5 6 7 8  
 BLK GRN RED BRN WHT BRN  
 10 mfd  
 WIRING DIAGRAM  
 PLUG J-506-P

Fig. 7-11 Typical Reel Drive Assembly (Rewind)

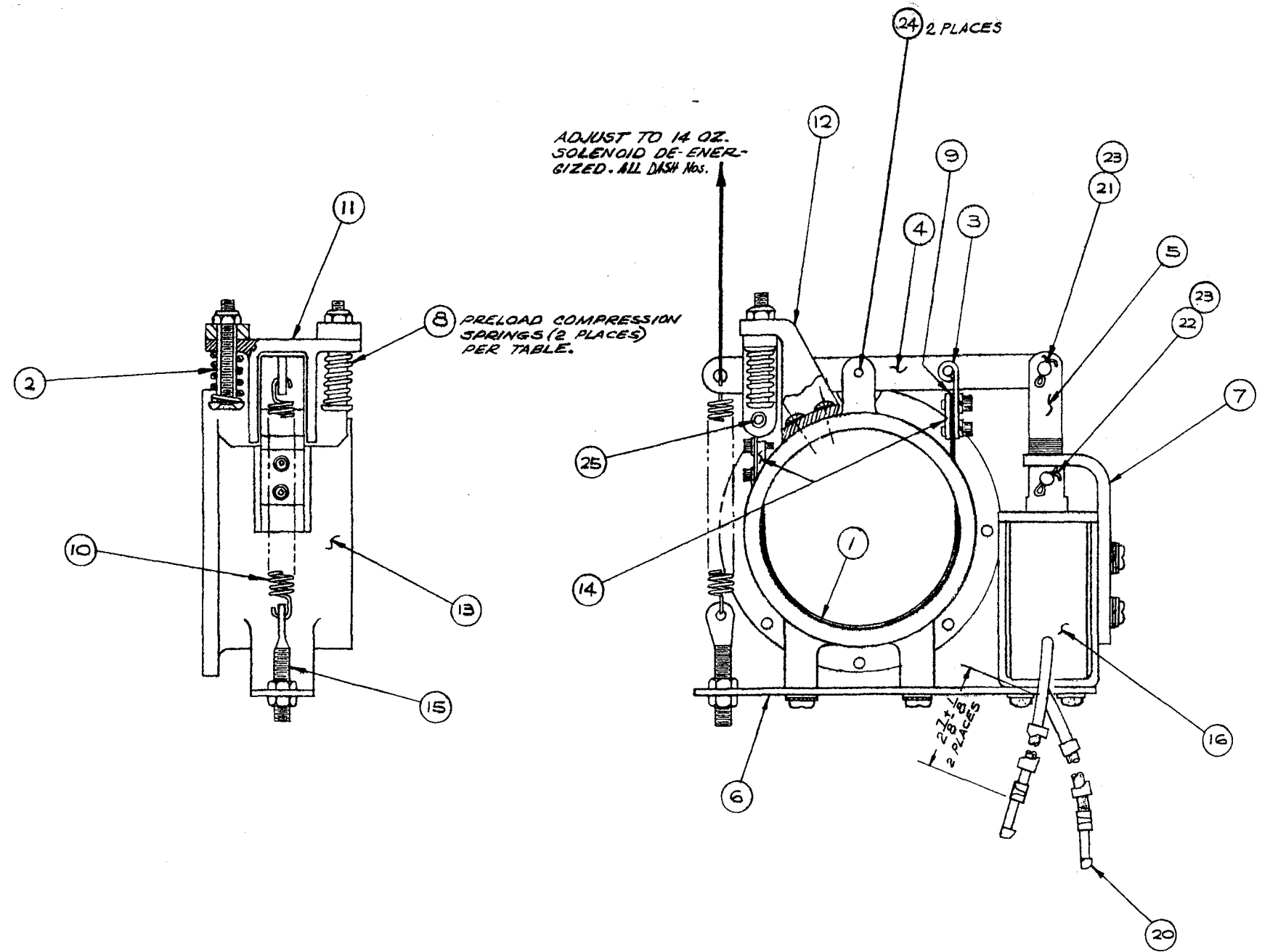


Fig. 7-12 Brake Assembly

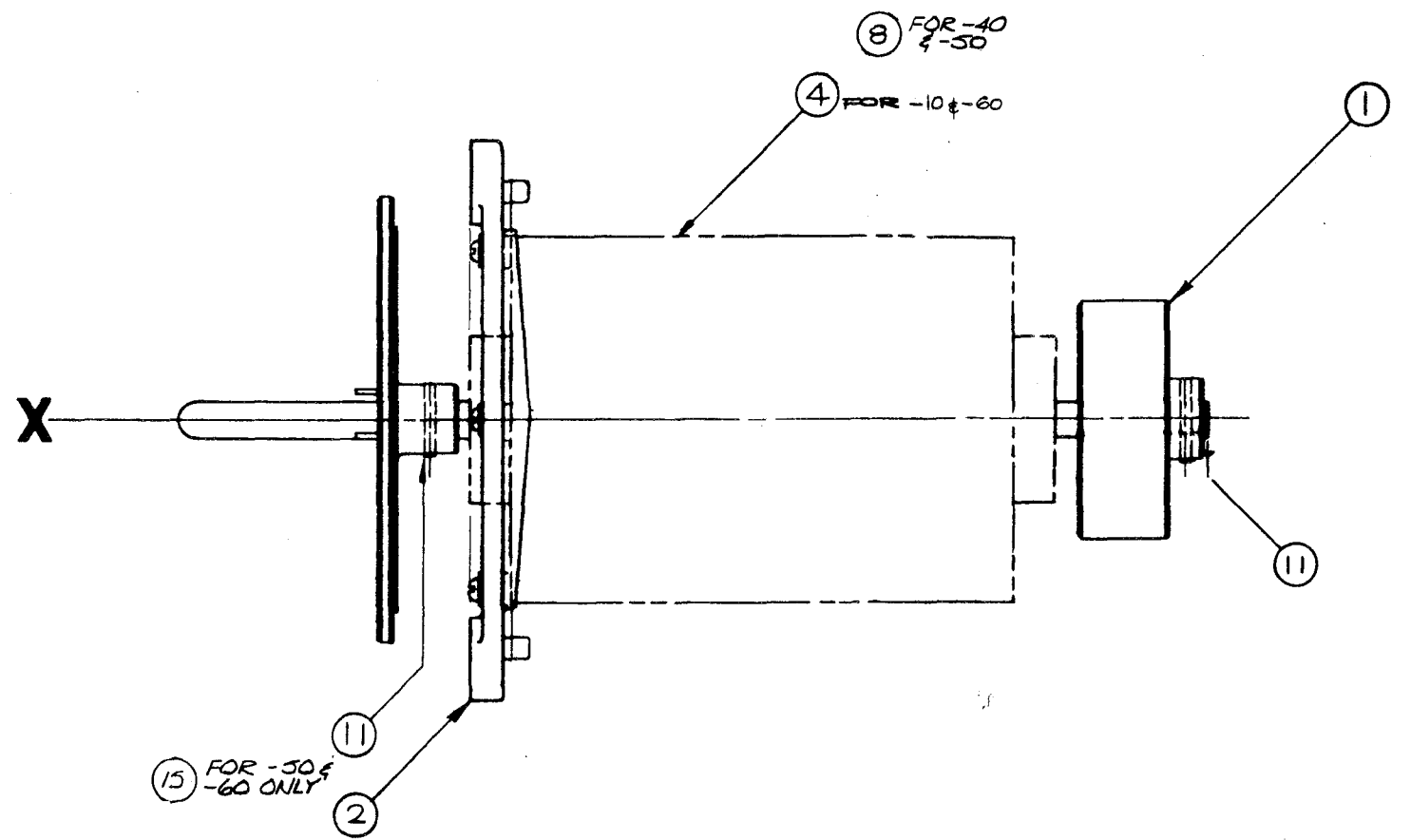
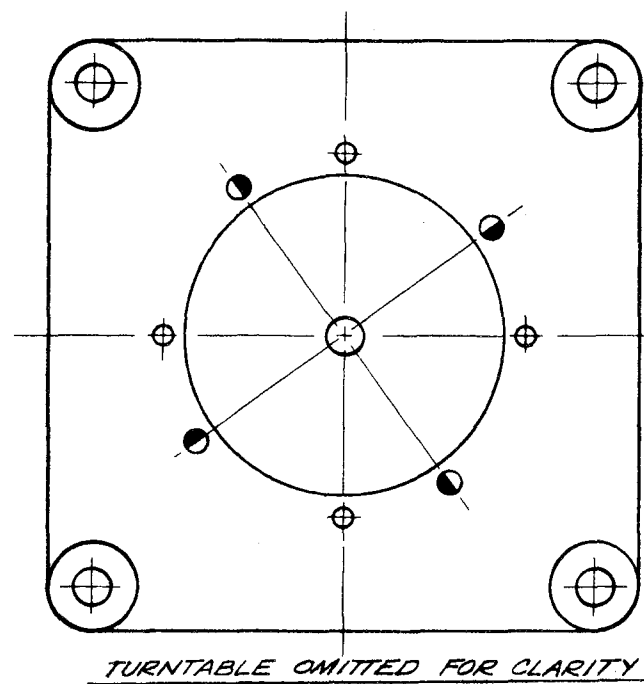
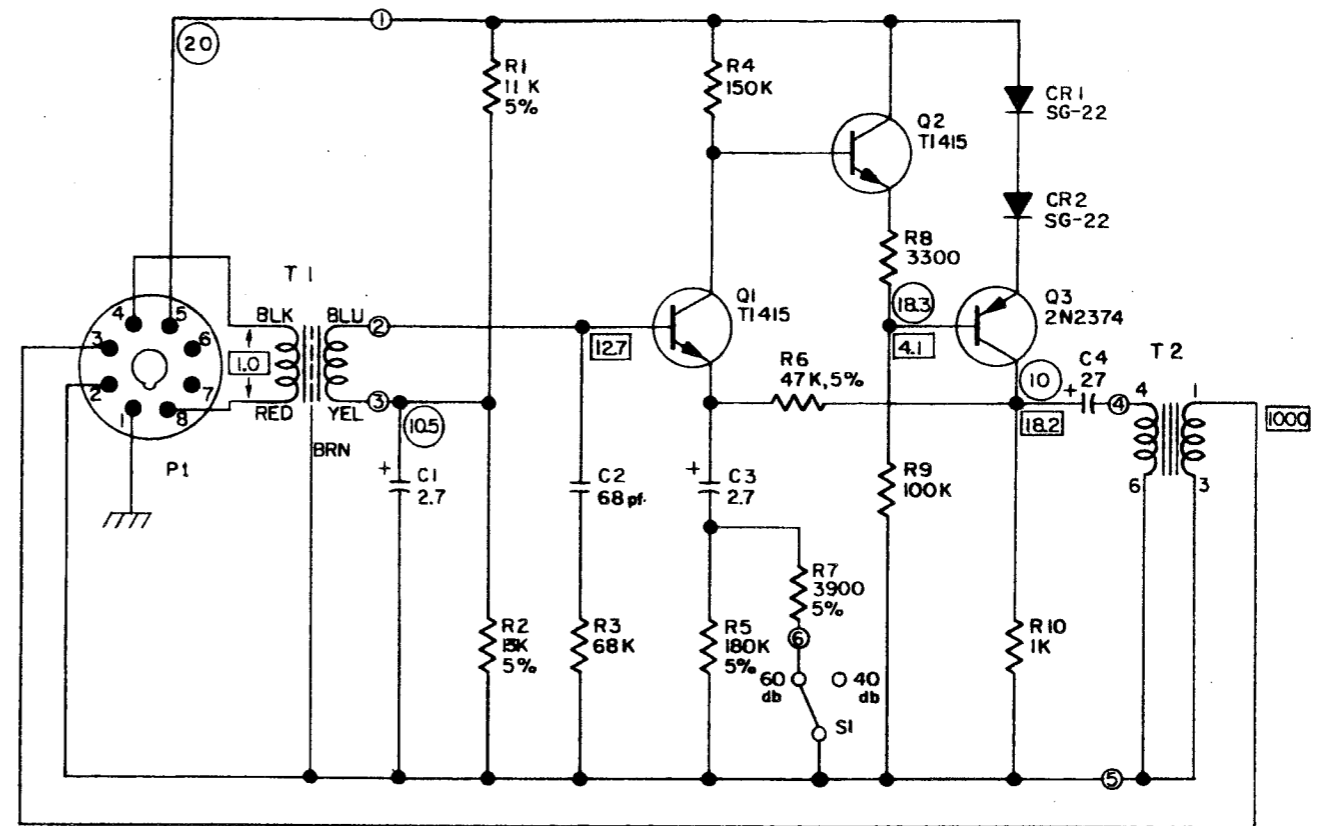
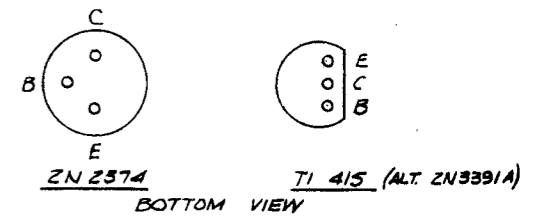


Fig. 7-13 Torque Motor Assembly

TRANSISTOR BASE DIAGRAM



NOTES:

1. DENOTES SHIELD CAN.
2. ALL RESISTORS ARE IN OHMS,  $\pm 10\%$ ,  $\frac{1}{4}$  WATT, UNLESS OTHERWISE SPECIFIED.
3. ALL CAPACITORS ARE IN MICROFARADS, 15 VOLT, UNLESS OTHERWISE SPECIFIED.
4. (20) INDICATES D.C. VOLTAGE TO GROUND, MEASURED WITH A 20,000  $\Omega/V$  METER
5. (10) INDICATES RMS MILLIVOLTS TO GROUND AT 500 CPS WITH "S1" IN 60 DB POSITION AND LOADED WITH 100K RESISTOR.
6. TRANSISTORS Q1 & Q2-T1415 IS INTERCHANGEABLE WITH 2N3391A.

Fig. 7-14 Schematic Diagram, Microphone Preamplifier