

Section 6

**PARTS LISTS AND DRAWINGS
FOREWORD**

This section includes parts lists and drawings required for ordering or identifying parts. Insofar as possible, parts lists are printed on the apron toward the binding edge of the foldout drawings. More than one drawing is necessary for certain assemblies, and the parts list is then printed on the apron of the first drawing. When the parts list requires more than one page, it is printed one side on separate pages, which are inserted directly before the applicable drawing.

All parts lists, with the exception of those for complete systems, are referenced to the applicable drawing or drawings.

When ordering replacement parts, always include the Ampex part number (not the reference designation), and the model and serial number of the equipment. Your Ampex Professional Audio Distributor provides a convenient replacement parts service.

MODEL AG-440
SINGLE CHANNEL RECORDER/REPRODUCER
1/4-INCH TAPE, FULL TRACK
7 1/2 and 15 ips

01	02	03	04	05	06	DESCRIPTION	Ampex Part No.
	X					Unmounted, 60 Hz	4010071-01
		X				Unmounted, 50 Hz	4010071-02
			X			Console Mounted, 60 Hz	4010071-03
				X		Console Mounted, 50 Hz	4010071-04
					X	Portable, 60 Hz	4010071-05
					X	Portable, 50 Hz	4010071-06
		1	1			Console, assembly	4020084-01
	1	1	1	1	1	Electronics, assembly, without equalizers	4020260-01
	1	1	1	1	1	Equalizer, assembly, 7 1/2 and 15 ips, NAB, Record	4020269-01
	1	1	1	1	1	Equalizer, assembly, NAB-CCIR, Reproduce	4020270-01
	1	1	1	1	1	Tape Transport, assembly, 7 1/2 and 15 ips, 60 Hz	4020271-01
		1	1	1	1	Tape Transport, assembly, 7 1/2 and 15 ips, 50 Hz	4020271-02
	1	1	1	1	1	Head, assembly, full track	4020272-01
			2	2		Knob, editing	4030145-10
	2	2				Knob, reel	4040492-10
				1	1	Backing Panel	4040945-01
	1	1	1	1	1	Scrape Flutter Idler, assembly	4040955-01
	1	1	1	1	1	Cable, assembly, power	4050416-01
	1	1	1	1	1	Cable, assembly, interconnect	4050442-01
	1	1	1	1	1	Box, assembly, head cable mounting	4050447-01
	2	2			2	Knob, reel hold down	4100137-10
				1	1	Case, assembly, transport	4150329-01
				1	1	Case, assembly, 7-inch, one or two electronics	4150330-01
				1	1	Panel, front facing, blank	4290620-01
	1	1	1	1	1	Reel, assembly	4690003-10
	1	1	1	1	1	Instruction Manual	4890172
	1	1	1	1	1	Power Supply, assembly	4020274-01
	1	1	1	1	1	Connector, plug, 3 socket, female	144-003
	1	1	1	1	1	Connector, plug, 3 pin, male	145-009
	1	1	1	1	1	Transformer, input, bridging	4580200-01

MODEL AG-440
SINGLE CHANNEL RECORDER/REPRODUCER
1/4-INCH TAPE, HALF TRACK
7 1/2 and 15 ips

07	08	09	10	11	12	DESCRIPTION	Ampex Part No.
	X					Unmounted, 60 Hz	4010071-07
		X				Unmounted, 50 Hz	4010071-08
			X			Console Mounted, 60 Hz	4010071-09
				X		Console Mounted, 50 Hz	4010071-10
					X	Portable, 60 Hz	4010071-11
					X	Portable, 50 Hz	4010071-12
		1	1			Console, assembly	4020084-01
	1	1	1	1	1	Electronics, assembly, without equalizers	4020260-01
	1	1	1	1	1	Equalizer, assembly, 7 1/2 and 15 ips, NAB, Record	4020269-01
	1	1	1	1	1	Equalizer, assembly, NAB-CCIR, Reproduce	4020270-01
	1	1	1	1	1	Tape Transport, assembly, 7 1/2 and 15 ips, 60 Hz	4020271-01
		1	1	1	1	Tape Transport, assembly, 7 1/2 and 15 ips, 50 Hz	4020271-02
	1	1	1	1	1	Head, assembly, two track	4020272-02
			2	2		Knob, editing	4030145-10
	2	2				Knob, reel	4040492-10
				1	1	Backing Panel	4040945-01
	1	1	1	1	1	Scrape Flutter Idler, assembly	4040955-01
	1	1	1	1	1	Cable, assembly, power	4050416-01
	1	1	1	1	1	Cable, assembly, interconnect	4050442-01
	1	1	1	1	1	Box, assembly, head cable mounting	4050447-01
	2	2			2	Knob, reel hold down	4100137-10
				1	1	Case, assembly, transport	4150329-01
				1	1	Case, assembly, 7-inch, one or two electronics	4150330-01
				1	1	Panel, front facing, blank	4290620-01
	1	1	1	1	1	Reel, assembly	4690003-10
	1	1	1	1	1	Instruction Manual	4890172
	1	1	1	1	1	Power Supply, assembly	4020274-01
	1	1	1	1	1	Connector, plug, 3 socket, female	144-003
	1	1	1	1	1	Connector, plug, 3 pin, male	145-009
	1	1	1	1	1	Transformer, input, bridging	4580200-01

MODEL AG-440
SINGLE CHANNEL RECORDER/REPRODUCER
1/4-INCH TAPE, FULL TRACK
3 3/4 and 7 1/2 ips

13	14	15	16	17	18	DESCRIPTION	Ampex Part No.
	X					Unmounted, 60 Hz	4010071-13
		X				Unmounted, 50 Hz	4010071-14
			X			Console Mounted, 60 Hz	4010071-15
				X		Console Mounted, 50 Hz	4010071-16
					X	Portable, 60 Hz	4010071-17
					X	Portable, 50 Hz	4010071-18
		1	1			Console, assembly	4020084-01
1	1	1	1	1	1	Electronics, assembly, without equalizers	4020260-01
1	1	1	1	1	1	Equalizer, assembly, 3 3/4 and 7 1/2 ips, NAB, Record	4020269-02
1	1	1	1	1	1	Equalizer, assembly, NAB-CCIR, Reproduce	4020270-01
1		1		1		Tape Transport, assembly, 3 3/4 and 7 1/2 ips, 60 Hz	4020271-03
	1		1		1	Tape Transport, assembly, 3 3/4 and 7 1/2 ips, 50 Hz	4020271-04
1	1	1	1	1	1	Head, assembly, full track	4020272-01
		2	2			Knob, editing	4030145-10
2	2			2	2	Knob, reel	4040492-10
				1	1	Backing Panel	4040945-01
1	1	1	1	1	1	Scrape Flutter Idler, assembly	4040955-01
1	1	1	1	1	1	Cable, assembly, power	4050416-01
1	1	1	1	1	1	Cable, assembly, interconnect	4050442-01
1	1	1	1	1	1	Box, assembly, head cable mounting	4050447-01
2	2			2	2	Knob, reel hold down	4100137-10
				1	1	Case, assembly, transport	4150329-01
				1	1	Case, assembly, 7-inch, one or two electronics	4150330-01
				1	1	Panel, front facing, blank	4290620-01
		1	1	1	1	Reel, assembly	4690003-10
1	1	1	1	1	1	Instruction Manual	4890172
1	1	1	1	1	1	Power Supply, assembly	4020274-01
1	1	1	1	1	1	Connector, plug, 3 socket, female	144-003
1	1	1	1	1	1	Connector, plug, 3 pin, male	145-009
1	1	1	1	1	1	Transformer, input, bridging	4580200-01

MODEL AG-440
SINGLE CHANNEL RECORDER/REPRODUCER
1/4-INCH TAPE, HALF TRACK
3 3/4 and 7 1/2 ips

19	20	21	22	23	24	DESCRIPTION	Ampex Part No.
	X					Unmounted, 60 Hz	4010071-19
		X				Unmounted, 50 Hz	4010071-20
			X			Console Mounted, 60 Hz	4010071-21
				X		Console Mounted, 50 Hz	4010071-22
					X	Portable, 60 Hz	4010071-23
					X	Portable, 50 Hz	4010071-24
		1	1			Console, assembly	4020084-01
1	1	1	1	1	1	Electronics, assembly, without equalizers	4020260-01
1	1	1	1	1	1	Equalizer, assembly, 3 3/4 and 7 1/2 ips, NAB, Record	4020269-02
1	1	1	1	1	1	Equalizer, assembly, NAB-CCIR, Reproduce	4020270-01
1		1		1		Tape Transport, assembly, 3 3/4 and 7 1/2 ips, 60 Hz	4020271-03
	1		1		1	Tape Transport, assembly, 3 3/4 and 7 1/2 ips, 50 Hz	4020271-04
1	1	1	1	1	1	Head, assembly, two track	4020272-02
		2	2			Knob, editing	4030145-10
2	2			2	2	Knob, reel hold down	4040492-10
				1	1	Backing Panel	4040945-01
1	1	1	1	1	1	Scrape Flutter Idler, assembly	4040955-01
1	1	1	1	1	1	Cable, assembly, power	4050416-01
1	1	1	1	1	1	Cable, assembly, interconnect	4050442-01
1	1	1	1	1	1	Box, assembly, head cable mounting	4050447-01
2	2			2	2	Knob, reel hold down	4100137-10
				1	1	Case, assembly, transport	4150329-01
				1	1	Case, assembly, 7-inch, one or two electronics	4150330-01
				1	1	Panel, front facing, blank	4290620-01
		1	1	1	1	Reel, assembly	4690003-10
1	1	1	1	1	1	Instruction Manual	4890172
1	1	1	1	1	1	Power Supply, assembly	4020274-01
1	1	1	1	1	1	Connector, plug, 3 socket, female	144-003
1	1	1	1	1	1	Connector, plug, 3 pins, male	145-009
1	1	1	1	1	1	Transformer, input, bridging	4580200-01

MODEL AG-440
TWO CHANNEL RECORDER/REPRODUCER
1/4-INCH TAPE, TWO TRACK
7 1/2 and 15 ips

01	02	03	04	05	06	DESCRIPTION	Ampex Part No.
	X					Unmounted, 60 Hz	4010072-01
		X				Unmounted, 50 Hz	4010072-02
			X			Console Mounted, 60 Hz	4010072-03
				X		Console Mounted, 50 Hz	4010072-04
					X	Portable, 60 Hz	4010072-05
						Portable, 50 Hz	4010072-06
		1	1			Console, assembly	4020084-02
2	2	2	2	2	2	Electronics, assembly, without equalizers	4020260-01
2	2	2	2	2	2	Equalizer, assembly, 7 1/2 and 15 ips, NAB, Record	4020269-01
2	2	2	2	2	2	Equalizer, assembly, NAB-CCIR, Reproduce	4020270-01
1		1		1		Tape Transport, assembly, 7 1/2 and 15 ips, 60 Hz	4020271-01
	1		1		1	Tape Transport, assembly, 7 1/2 and 15 ips, 50 Hz	4020271-02
1	1	1	1	1	1	Head, assembly, two track	4020272-02
		2	2			Knob, editing	4030145-10
2	2			2	2	Knob, reel	4040492-10
1	1	1	1	1	1	Scrape Flutter Idler, assembly	4040955-01
1	1	1	1	1	1	Cable, assembly, power	4050416-01
2	2	2	2	2	2	Cable, assembly, interconnect	4050442-01
1	1	1	1	1	1	Box, assembly, head cable mounting	4050447-02
2	2			2	2	Knob, reel hold down	4100137-10
				1	1	Case, assembly, transport	4150329-01
				1	1	Case, assembly, 7-inch, one or two electronics	4150330-01
1	1	1	1	1	1	Reel, assembly	4690003-10
1	1	1	1	1	1	Instruction Manual	4890172
1	1	1	1	1	1	Power Supply, assembly	4020274-01
2	2	2	2	2	2	Connector, plug, 3 socket, female	144-003
2	2	2	2	2	2	Connector, plug, 3 pin, male	145-009
2	2	2	2	2	2	Transformer, input, bridging	4580200-01

MODEL AG-440
TWO CHANNEL RECORDER/REPRODUCER
1/4-INCH TAPE, TWO TRACK
3 3/4 and 7 1/2 ips

07	08	09	10	11	12	DESCRIPTION	Ampex Part No.
	X					Unmounted, 60 Hz	4010072-07
		X				Unmounted, 50 Hz	4010072-08
			X			Console Mounted, 60 Hz	4010072-09
				X		Console Mounted, 50 Hz	4010072-10
					X	Portable, 60 Hz	4010072-11
						Portable, 50 Hz	4010072-12
		1	1			Console, assembly	4020084-02
2	2	2	2	2	2	Electronics, assembly, without equalizers	4020260-01
2	2	2	2	2	2	Equalizer, assembly, 3 3/4 and 7 1/2 ips, NAB, Record	4020269-02
2	2	2	2	2	2	Equalizer, assembly, NAB-CCIR, Reproduce	4020270-01
1		1		1		Tape Transport, assembly, 3 3/4 and 7 1/2 ips, 60 Hz	4020271-03
	1		1		1	Tape Transport, assembly, 3 3/4 and 7 1/2 ips, 50 Hz	4020271-04
1	1	1	1	1	1	Head, assembly, two track	4020272-02
		2	2			Knob, editing	4030145-10
2	2			2	2	Knob, reel	4040492-10
1	1	1	1	1	1	Scrape Flutter Idler, assembly	4040955-01
1	1	1	1	1	1	Cable, assembly, power	4050416-01
2	2	2	2	2	2	Cable, assembly, interconnect	4050442-01
1	1	1	1	1	1	Box, assembly, head cable mounting	4050447-02
2	2			2	2	Knob, reel hold down	4100137-10
				1	1	Case, assembly, transport	4150329-01
				1	1	Case, assembly, 7-inch, one or two electronics	4150330-01
1	1	1	1	1	1	Reel, assembly	4690003-10
1	1	1	1	1	1	Instruction Manual	4890172
1	1	1	1	1	1	Power Supply, assembly	4020274-01
2	2	2	2	2	2	Connector, plug, 3 socket, female	144-003
2	2	2	2	2	2	Connector, plug, 3 pin, male	145-009
2	2	2	2	2	2	Transformer, input, bridging	4580200-01

MODEL AG-440
TWO CHANNEL RECORDER/REPRODUCER
1/4-INCH TAPE, 4 POSITION HEAD ASSEMBLY
7 1/2 and 15 ips

13	14	15	16	17	18	DESCRIPTION	Ampex Part No.
X						Unmounted, 60 Hz, 4 Position Head	4010072-13
	X					Unmounted, 50 Hz, 4 Position Head	4010072-14
		X				Console Mounted, 60 Hz, 4 Position Head	4010072-15
			X			Console Mounted, 50 Hz, 4 Position Head	4010072-16
				X		Portable, 60 Hz, 4 Position Head	4010072-17
					X	Portable, 50 Hz, 4 Position Head	4010072-18
		1	1			Console, assembly	4020084-02
2	2	2	2	2	2	Electronics, assembly, without equalizers	4020260-01
2	2	2	2	2	2	Equalizer, assembly, 7 1/2 and 15 ips, NAB, Record	4020269-01
2	2	2	2	2	2	Equalizer, assembly, NAB-CCIR, Reproduce	4020270-01
1		1		1		Tape Transport, assembly, 7 1/2 and 15 ips, 60 Hz	4020271-01
	1	1	1	1	1	Tape Transport, assembly, 7 1/2 and 15 ips, 50 Hz	4020271-02
1	1	1	1	1	1	Head, assembly, 4 position	4020272-03
		2	2			Knob, editing	4030145-10
2	2			2	2	Knob, reel	4040492-10
1	1	1	1	1	1	Scrape Flutter Idler, assembly	4040955-01
1	1	1	1	1	1	Cable, assembly, power	4050416-01
2	2	2	2	2	2	Cable, assembly, interconnect	4050442-01
1	1	1	1	1	1	Box, assembly, head cable mounting	4050447-05
2	2			2	2	Knob, reel hold down	4100137-10
				1	1	Case, assembly, transport	4150329-01
				1	1	Case, assembly, 7-inch, one or two electronics	4150330-01
1	1	1	1	1	1	Reel, assembly	4690003-10
1	1	1	1	1	1	Instruction Manual	4890172
1	1	1	1	1	1	Power Supply, assembly	4020274-01
2	2	2	2	2	2	Connector, plug, 3 socket, female	144-003
2	2	2	2	2	2	Connector, plug, 3 pin, male	145-009
2	2	2	2	2	2	Transformer, input, bridging	4580200-01

MODEL AG-440
TWO CHANNEL RECORDER/REPRODUCER
1/4-INCH TAPE, 4 POSITION HEAD ASSEMBLY
3 3/4 and 7 1/2 ips

19	20	21	22	23	24	DESCRIPTION	Ampex Part No.
X						Unmounted, 60 Hz, 4 Position Head	4010072-19
	X					Unmounted, 50 Hz, 4 Position Head	4010072-20
		X				Console Mounted, 60 Hz, 4 Position Head	4010072-21
			X			Console Mounted, 50 Hz, 4 Position Head	4010072-22
				X		Portable, 60 Hz, 4 Position Head	4010072-23
					X	Portable, 50 Hz, 4 Position Head	4010072-24
		1	1			Console, assembly	4020084-02
2	2	2	2	2	2	Electronics, assembly, without equalizers	4020260-02
2	2	2	2	2	2	Equalizer, assembly, 3 3/4 and 7 1/2 ips, NAB, Record	4020269-01
2	2	2	2	2	2	Equalizer, assembly, NAB-CCIR, Reproduce	4020270-01
1		1		1		Tape Transport, assembly, 3 3/4, and 7 1/2 ips, 60 Hz	4020271-03
	1	1	1	1	1	Tape Transport, assembly, 3 3/4 and 7 1/2 ips, 50 Hz	4020271-04
1	1	1	1	1	1	Head, assembly, 4 position	4020272-03
		2	2			Knob, editing	4030145-10
2	2			2	2	Knob, reel	4040492-10
1	1	1	1	1	1	Scrape Flutter Idler, assembly	4040955-01
1	1	1	1	1	1	Cable, assembly, power	4050416-01
2	2	2	2	2	2	Cable, assembly, interconnect	4050442-01
1	1	1	1	1	1	Box, assembly, head cable mounting	4050447-05
2	2			2	2	Knob, reel hold down	4100137-10
				1	1	Case, assembly, transport	4150329-01
				1	1	Case, assembly, 7-inch, one or two electronics	4150330-01
1	1	1	1	1	1	Reel, assembly	4690003-10
1	1	1	1	1	1	Instruction Manual	4890172
1	1	1	1	1	1	Power Supply, assembly	4020274-01
2	2	2	2	2	2	Connector, plug, 3 socket, female	144-003
2	2	2	2	2	2	Connector, plug, 3 pin, male	145-009
2	2	2	2	2	2	Transformer, input, bridging	4580200-01

MODEL AG-440
THREE CHANNEL RECORDER/REPRODUCER
1/2-INCH TAPE, 3 TRACK
7 1/2 and 15 ips

01	02	03	04	05	06	DESCRIPTION	Ampex Part No.
X						Unmounted, 60 Hz	4010073-01
	X					Unmounted, 50 Hz	4010073-02
		X				Console Mounted, 60 Hz	4010073-03
			X			Console Mounted, 50 Hz	4010073-04
				X		Portable, 60 Hz	4010073-05
					X	Portable, 50 Hz	4010073-06
		1	1			Console, assembly	4020084-03
3	3	3	3	3	3	Electronics, assembly, without equalizers	4020260-01
3	3	3	3	3	3	Equalizer, assembly, 7 1/2 and 15 ips, NAB, Record	4020269-01
3	3	3	3	3	3	Equalizer, assembly, NAB-CCIR, Reproduce	4020270-01
1		1		1		Tape Transport, assembly, 7 1/2 and 15 ips, 60 Hz	4020271-01
	1		1		1	Tape Transport, assembly, 7 1/2 and 15 ips, 50 Hz	4020271-02
1	1	1	1	1	1	Head, assembly, three track	4020273-01
		2	2			Knob, editing	4030145-10
2	2			2	2	Knob, reel	4040492-10
				1	1	Backing Panel	4040945-01
1	1	1	1	1	1	Scrape Flutter Idler, assembly	4040955-01
1	1	1	1	1	1	Cable, assembly, power	4050416-01
3	3	3	3	3	3	Cable, assembly, interconnect	4050442-01
1	1	1	1	1	1	Box, assembly, head cable mounting	4050447-03
				1	1	Case, assembly, transport	4150329-01
				1	1	Case, assembly, 14-inch, three or four electronics	4150331-01
				1	1	Panel, front facing, blank	4290620-01
1	1	1	1	1	1	Reel, assembly	4690003-20
1	1	1	1	1	1	Instruction Manual	4890172
1	1	1	1	1	1	Power Supply, assembly	4020274-01
3	3	3	3	3	3	Connector, plug, 3 socket, female	144-003
3	3	3	3	3	3	Connector, plug, 3 pin, male	145-009
3	3	3	3	3	3	Transformer, input, bridging	4580200-01

MODEL AG-440
FOUR CHANNEL RECORDER/REPRODUCER
1/2-INCH TAPE, 4 TRACK
7 1/2 and 15 ips

01	02	03	04	05	06	DESCRIPTION	Ampex Part No.
X						Unmounted, 60 Hz	4010074-01
	X					Unmounted, 50 Hz	4010074-02
		X				Console Mounted, 60 Hz	4010074-03
			X			Console Mounted, 50 Hz	4010074-04
				X		Portable, 60 Hz	4010074-05
					X	Portable, 50 Hz	4010074-06
		1	1			Console, assembly	4020084-04
4	4	4	4	4	4	Electronics, assembly, without equalizers	4020260-01
4	4	4	4	4	4	Equalizer, assembly, 7 1/2 and 15 ips, NAB, Record	4020269-01
4	4	4	4	4	4	Equalizer, assembly, NAB-CCIR, Reproduce	4020270-01
1		1		1		Tape Transport, assembly, 7 1/2 and 15 ips, 60 Hz	4020271-01
	1		1		1	Tape Transport, assembly, 7 1/2 and 15 ips, 50 Hz	4020271-02
1	1	1	1	1	1	Head, assembly, four track	4020273-02
		2	2			Knob, editing	4030145-10
2	2			2	2	Knob, reel	4040492-10
1	1	1	1	1	1	Scrape Flutter Idler, assembly	4040955-01
1	1	1	1	1	1	Cable, assembly, power	4050415-01
4	4	4	4	4	4	Cable, assembly, interconnect	4050442-01
1	1	1	1	1	1	Box, assembly, head cable mounting	4050447-04
				1	1	Case, assembly, transport	4150329-01
				1	1	Case, assembly, 7-inch, three or four electronics	4150331-01
1	1	1	1	1	1	Reel, assembly	4690003-10
1	1	1	1	1	1	Instruction Manual	4890172
1	1	1	1	1	1	Power Supply, assembly	4020274-01
4	4	4	4	4	4	Connector, plug, 3 socket, female	144-003
4	4	4	4	4	4	Connector, plug, 3 pin, male	145-009
4	4	4	4	4	4	Transformer, input, bridging	4580200-01

MODEL AG-445
SINGLE CHANNEL REPRODUCER
7 1/2 - 15 ips, 1/4-INCH TAPE

01	02	03	04	07	08	09	10	DESCRIPTION	Ampex Part No.
	X							Full Track, Unmounted, 60 Hz	4010081-01
		X						Full Track, Unmounted, 50 Hz	4010081-02
			X					Full Track, Console Mounted, 60 Hz	4010081-03
				X				Full Track, Console Mounted, 50 Hz	4010081-04
					X			Half Track, Unmounted, 60 Hz	4010081-07
						X		Half Track, Unmounted, 50 Hz	4010081-08
							X	Half Track, Console Mounted, 60 Hz	4010081-09
							X	Half Track, Console Mounted, 50 Hz	4010081-10
		1	1			1	1	Console Assembly	4020084-01
1	1	1	1	1	1	1	1	Reproduce Module (includes reproduce board)	4020150-01
1	1	1	1	1	1	1	1	Equalizer, assembly, 7 1/2 - 15 ips, NAB-CCIR	4020270-01
1	1	1	1	1	1	1	1	Tape Transport, assembly, 7 1/2 and 15 ips, 60 Hz	4020271-01
	1	1	1	1	1	1	1	Tape Transport, assembly, 7 1/2 and 15 ips, 50 Hz	4020271-02
1	1	1	1					Head, assembly, full track	4020272-04
				1	1	1	1	Head, assembly, two track	4020272-05
1	1	1	1	1	1	1	1	Power Supply, assembly	4020274-02
		2	2			2	2	Knob, editing	4030145-10
1	1	1	1	1	1	1	1	Tray, assembly, reproducer	4040346-01
1	1	1	1	1	1	1	1	Facing panel, assembly	4040347-01
2	2			2	2			Knob, reel	4040492-10
1	1	1	1	1	1	1	1	Scrape Flutter Idler, assembly	4040955-01
1	1	1	1	1	1	1	1	Cable, assembly, power	4050416-01
1	1	1	1	1	1	1	1	Box, assembly, head cable mounting	4050448-01
2	2			2	2			Knob, reel hold down	4100137-10
1	1	1	1	1	1	1	1	Reel, assembly	4690003-10
1	1	1	1	1	1	1	1	Instruction Manual	4890172
1	1	1	1	1	1	1	1	Connector, plug, 3 socket, female	144-003

MODEL AG-445
SINGLE CHANNEL REPRODUCER
3 3/4 - 7 1/2 ips
1/4-INCH TAPE

13	14	15	16	19	20	21	22	DESCRIPTION	Ampex Part No.
	X							Full Track, Unmounted, 60 Hz	4010081-13
		X						Full Track, Unmounted, 50 Hz	4010081-14
			X					Full Track, Console Mounted, 60 Hz	4010081-15
				X				Full Track, Console Mounted, 50 Hz	4010081-16
					X			Half Track, Unmounted, 60 Hz	4010081-19
						X		Half Track, Unmounted, 50 Hz	4010081-20
							X	Half Track, Console Mounted, 60 Hz	4010081-21
							X	Half Track, Console Mounted, 50 Hz	4010081-22
		1	1			1	1	Console Assembly	4020084-01
1	1	1	1	1	1	1	1	Reproduce Module (includes reproduce board)	4020150-01
1	1	1	1	1	1	1	1	Equalizer, assembly, 7 1/2 - 15 ips, NAB-CCIR	4020270-01
1	1	1	1	1	1	1	1	Tape Transport, assembly, 3 3/4 and 7 1/2 ips, 60 Hz	4020271-03
	1	1	1	1	1	1	1	Tape Transport, assembly, 3 3/4 and 7 1/2 ips, 50 Hz	4020271-04
1	1	1	1					Head, assembly, full track	4020272-04
				1	1	1	1	Head, assembly, two track	4020272-05
1	1	1	1	1	1	1	1	Power Supply, assembly	4020274-02
		2	2			2	2	Knob, editing	4030145-10
1	1	1	1	1	1	1	1	Tray, assembly, reproducer	4040346-01
1	1	1	1	1	1	1	1	Facing panel, assembly	4040347-01
2	2			2	2			Knob, reel	4040492-10
1	1	1	1	1	1	1	1	Scrape Flutter Idler, assembly	4040955-01
1	1	1	1	1	1	1	1	Cable, assembly, power	4050416-01
1	1	1	1	1	1	1	1	Box, assembly, head cable mounting	4050448-01
2	2			2	2			Knob, reel hold down	4100137-10
1	1	1	1	1	1	1	1	Reel, assembly	4690003-10
1	1	1	1	1	1	1	1	Instruction Manual	4890172
1	1	1	1	1	1	1	1	Connector, plug, 3 socket, female	144-003

MODEL AG-445
TWO CHANNEL REPRODUCER
1/4-INCH TAPE
(With two-track and quarter-track head assembly)

01	02	03	04	07	08	09	10	DESCRIPTION	Amper Part No.
	X							Two Track, Unmounted, 60 Hz, 7 1/2 and 15 ips	4010082-01
		X						Two Track, Unmounted, 50 Hz, 7 1/2 and 15 ips	4010082-02
			X					Two Track, Console Mounted, 60 Hz, 7 1/2 and 15 ips	4010082-03
				X				Two Track, Console Mounted, 50 Hz, 7 1/2 and 15 ips	4010082-04
					X			Two Track, Unmounted, 60 Hz, 3 3/4 and 7 1/2 ips	4010082-07
						X		Two Track, Unmounted, 50 Hz, 3 3/4 and 7 1/2 ips	4010082-08
							X	Two Track, Console Mounted, 60 Hz, 3 3/4 and 7 1/2 ips	4010082-09
							X	Two Track, Console Mounted, 50 Hz, 3 3/4 and 7 1/2 ips	4010082-10
			1	1		1	1	Console Assembly	4020084-01
2	2	2	2	2	2	2	2	Reproduce Module (includes reproduce board)	4020150-01
2	2	2	2	2	2	2	2	Equalizer, assembly, 7 1/2 - 15 ips, NAB-CCIR	4020270-01
1		1						Tape Transport, assembly, 7 1/2 and 15 ips, 60 Hz	4020271-01
	1		1					Tape Transport, assembly, 7 1/2 and 15 ips, 50 Hz	4020271-02
				1		1		Tape Transport, assembly, 3 3/4 and 7 1/2 ips, 60 Hz	4020271-03
					1	1		Tape Transport, assembly, 3 3/4 and 7 1/2 ips, 50 Hz	4020271-04
1	1	1	1	1	1	1	1	Head, assembly, two track and quarter track	4020272-05
1	1	1	1	1	1	1	1	Power Supply, assembly	4020274-02
		2	2			2	2	Knob, editing	4030145-10
1	1	1	1	1	1	1	1	Tray, assembly, reproducer	4040346-01
1	1	1	1	1	1	1	1	Facing panel, assembly	4040347-01
2	2			2	2			Knob, reel	4040492-10
1	1	1	1	1	1	1	1	Scrape Flutter Idler, assembly	4040955-01
1	1	1	1	1	1	1	1	Cable, assembly, power	4050416-01
1	1	1	1	1	1	1	1	Box, assembly, head cable mounting	4050448-02
2	2			2	2			Knob, reel hold down	4100137-10
1	1	1	1	1	1	1	1	Reel, assembly	4690003-10
1	1	1	1	1	1	1	1	Instruction Manual	4890172
2	2	2	2	2	2	2	2	Connector, plug, 3 socket, female	144-003

MODEL AG-445
THREE CHANNEL REPRODUCER
7 1/2 - 15 ips
1/2-INCH TAPE

01	02	03	04	DESCRIPTION	Amper Part No.
	X			Three Track, Unmounted, 60 Hz	4010083-01
		X		Three Track, Unmounted, 50 Hz	4010083-02
			X	Three Track, Console Mounted, 60 Hz	4010083-03
				Three Track, Console Mounted, 50 Hz	4010083-04
		1	1	Console Assembly	4020084-01
3	3	3	3	Reproduce Module (includes reproduce board)	4020150-01
3	3	3	3	Equalizer, assembly, 7 1/2 - 15 ips, NAB-CCIR	4020270-01
1		1		Tape Transport, assembly, 7 1/2 and 15 ips, 60 Hz	4020271-01
	1		1	Tape Transport, assembly, 7 1/2 and 15 ips, 50 Hz	4020271-02
1	1	1	1	Head, assembly, three track	4020273-03
1	1	1	1	Power Supply, assembly	4020274-02
		2	2	Knob, editing	4030145-10
1	1	1	1	Tray, assembly, reproducer	4040346-01
1	1	1	1	Facing panel, assembly	4040347-01
2	2			Knob, reel	4040492-10
1	1	1	1	Scrape Flutter Idler, assembly	4040955-01
1	1	1	1	Cable, assembly, power	4050416-01
1	1	1	1	Box, assembly, head cable mounting	4050448-03
1	1	1	1	Reel, assembly	4690003-10
1	1	1	1	Instruction Manual	4890172
3	3	3	3	Connector, plug, 3 socket, female	144-003

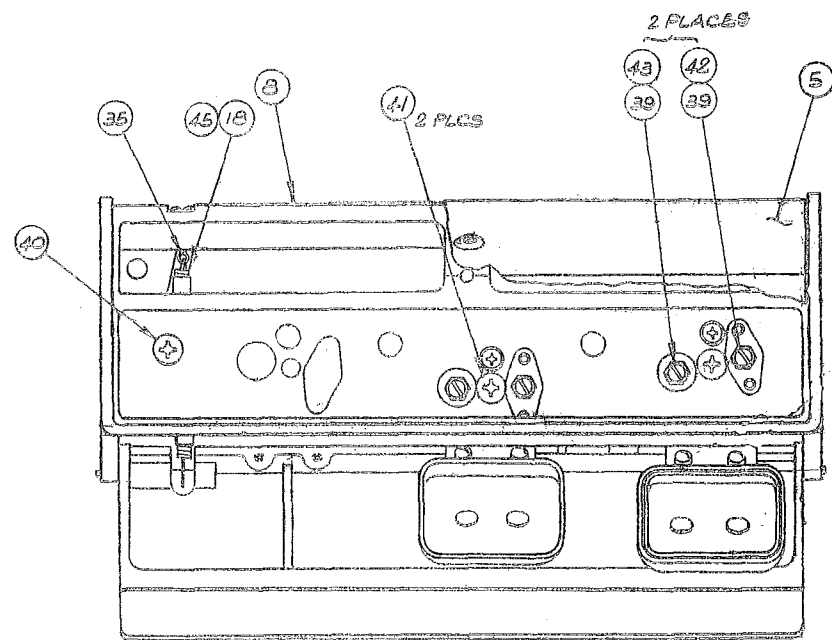
MODEL AG-445
 FOUR CHANNEL REPRODUCER
 7 1/2 - 15 ips
 1/2-INCH TAPE

01	02	03	04	DESCRIPTION	Ampex Part No.
X				Four Track, Unmounted, 60 Hz	4010084-01
	X			Four Track, Unmounted, 50 Hz	4010084-02
		X		Four Track, Console Mounted, 60 Hz	4010084-03
			X	Four Track, Console Mounted, 50 Hz	4010084-04
			1	Console Assembly	4020084-01
4	4	4	4	Reproduce Module (includes reproduce board)	4020150-01
4	4	4	4	Equalizer, assembly, 7 1/2 - 15 ips, NAB-CCIR	4020270-01
1		1		Tape Transport, assembly, 7 1/2 and 15 ips, 60 Hz	4020271-01
	1			Tape Transport, assembly, 7 1/2 and 15 ips, 50 Hz	4020271-02
1	1	1	1	Head, assembly, four track	4020273-04
1	1	1	1	Power Supply, assembly	4020274-02
			2	Knob, editing	4030145-10
1	1	1	1	Tray, assembly, reproducer	4040346-01
1	1	1	1	Facing, panel, assembly	4040347-01
2	2			Knob, reel	4040492-10
1	1	1	1	Scrape Flutter Idler, assembly	4040955-01
1	1	1	1	Cable, assembly, power	4050416-01
1	1	1	1	Box, assembly, head cable mounting	4050448-04
1	1	1	1	Reel, assembly	4690003-10
1	1	1	1	Instruction Manual	4890172
4	4	4	4	Connector, plug, 3 socket, female	144-003

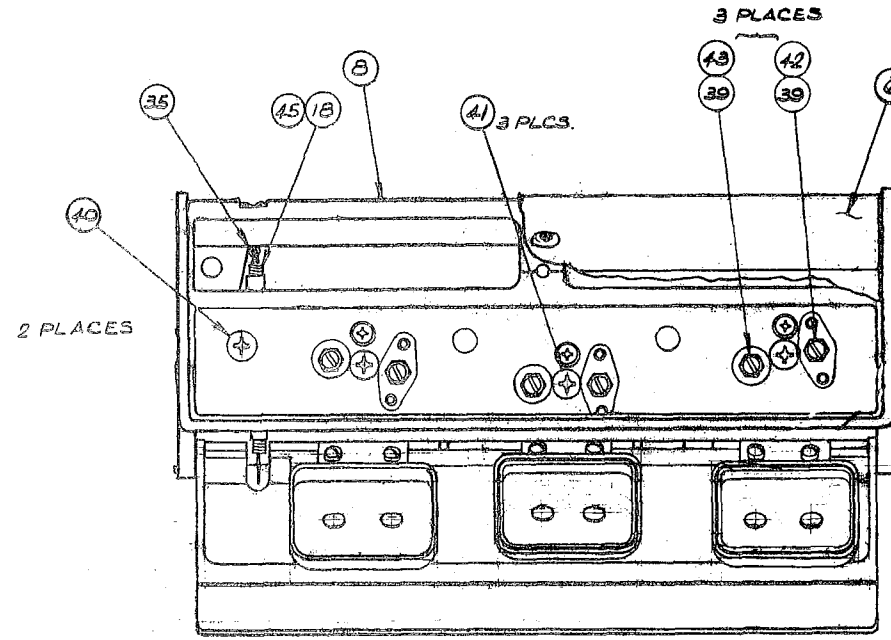
HEAD ASSEMBLY, 1/4-inch Tape
 CATALOG NO. 4020272
 (See Figs. 6-1 and 6-2)

ITEM	-01	-02	-03	-04	-05	-06	DESCRIPTION	Ampex Part No.
	X						Head Assembly, full track, record/reproduce	4020272-01
		X					Head Assembly, two track, record/reproduce	4020272-02
			X				Head Assembly, two and four track, record/reproduce	4020272-03
				X			Head Assembly, full track, reproduce-only	4020272-04
					X		Head Assembly, two track, reproduce-only	4020272-05
						X	Head Assembly, two and four track, reproduce-only	4020272-06
1	3			1			Connector, assembly, head (see Fig. 6-3)	4050446-01
2		3	4		1	2	Connector, assembly, head (see Fig. 6-3)	4050446-02
3	4	4	6	2	2	4	Spring, head	4270167-10
4			1			1	Knob	4350011-01
5	1	1		1	1		Overlay, head housing	4350038-01
6			1			1	Overlay, head housing	4350038-02
7	1	1	1	1	1	1	Spacer, head, 1/4-inch tape	4350016-01
8	1	1	1	1	1	1	Base, head mounting	4350017-01
9	1	1	1				Spacer, erase head	4350019-01
10			1				Shield Can, assembly, record, position #2	4350021-01
11	1	1					Shield Can, assembly, record, position #3	4350022-01
12			1			1	Shield Can, assembly, reproduce, position #3	4350023-01
13	1	1	1	1	1	1	Shield Can, assembly, reproduce, position #4	4350024-01
14	1	1					Gate, assembly, head	4350029-01
15			1				Gate, assembly, head	4350029-02
19				1	1		Gate, assembly, head	4350029-03
20						1	Gate, assembly, head	4350029-04
	1	1	1	1	1	1	Gate	4350018-01
	1	1	1				Shield Cover, assembly	4350026-01
		1				1	Shield Cover, assembly	4350027-01
	1	1	1	1	1	1	Shield Cover, assembly	4350028-01
	2	2	3	1	1	2	Plate	4270155-10
16	2	2	2	2	2	2	Tape Guide, Assembly	4350030-01
17			1			1	Shaft, switch	4210313-01
18	1	1	1	1	1	1	Spring, head gate	4350035-01
21				1	1	1	Post, Dummy head	4210136-01
22		1	1				Head Unit, record, 2 track	4040437-05
23		1	1		1	1	Head Unit, reproduce, 2 track	4040437-06
24	1						Head Stack, assembly, record, full track	4040438-67
25	1			1			Head Stack, assembly, reproduce, full track	4040438-68
26	1						Head Stack, assembly, erase, full track	4040829-02
27		1	1				Head Stack, assembly, erase, 2 track	4040831-02
28			1			1	Head Stack, assembly, reproduce, 1/4 track stereo	4350037-01
29	As Required						Shim, erase head, .010 thick	4350025-01
30	As Required						Shim, erase head, .002 thick	4350025-02
31	As Required						Shim, erase head, .003 thick	4350025-03
32	As Required						Shim, erase head, .005 thick	4350025-04

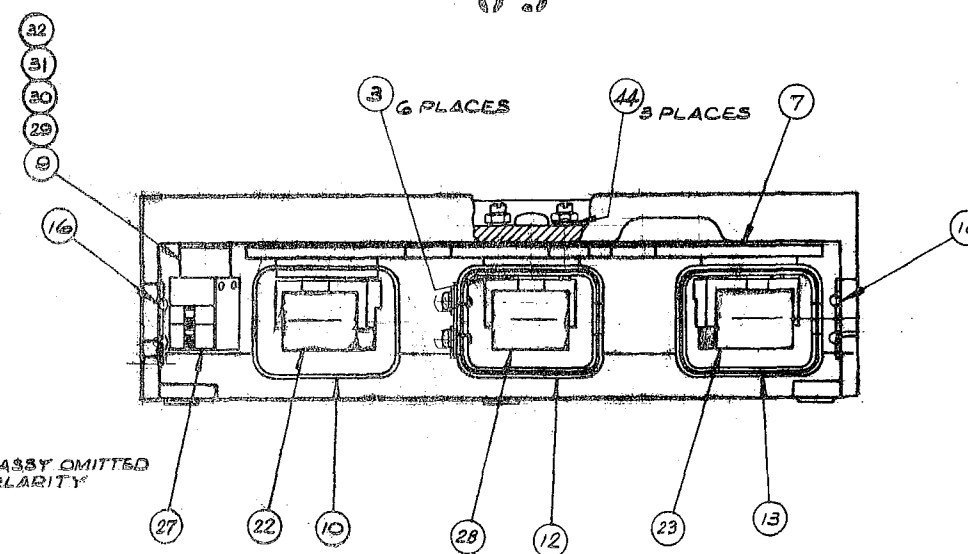
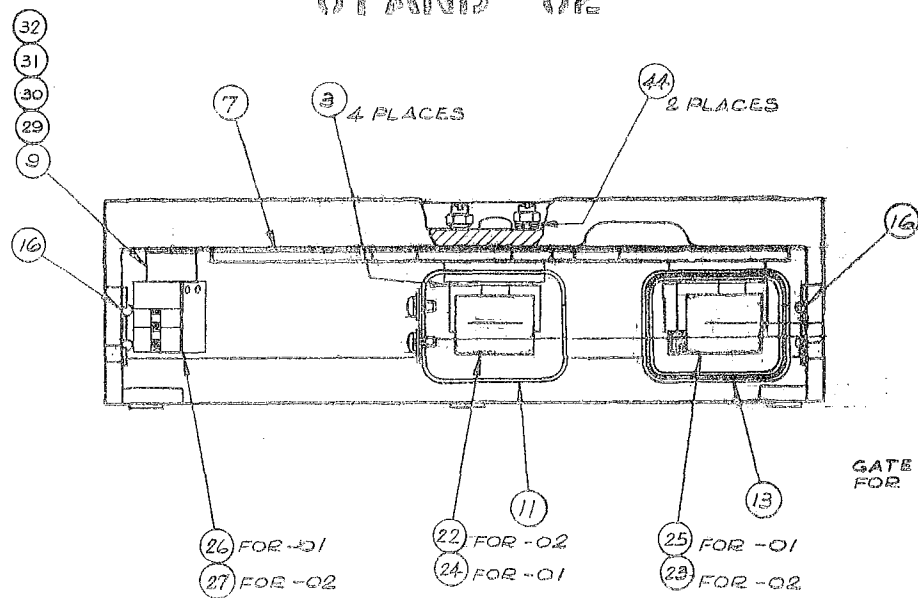
Items of standard hardware not listed



-01 AND -02



-03



GATE ASSY OMITTED FOR CLARITY

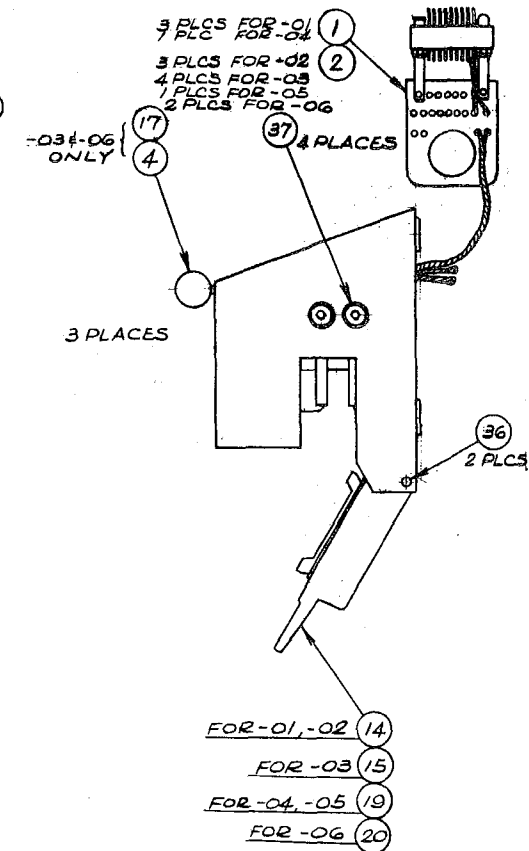


TABLE I		
PART NO.	DESCRIPTION	MODEL
4020272-01	FULL TRACK	AG 440
4020272-02	TWO TRACK	AG 440
4020272-03	TWO-FOUR TRACK	AG 440
4020272-04	FULL TRACK	AG 445
4020272-05	TWO TRACK	AG 445
4020272-06	TWO-FOUR TRACK	AG 445

Fig. 6-1. Head Assembly, Record/Reproduce, 1/4-inch Tape

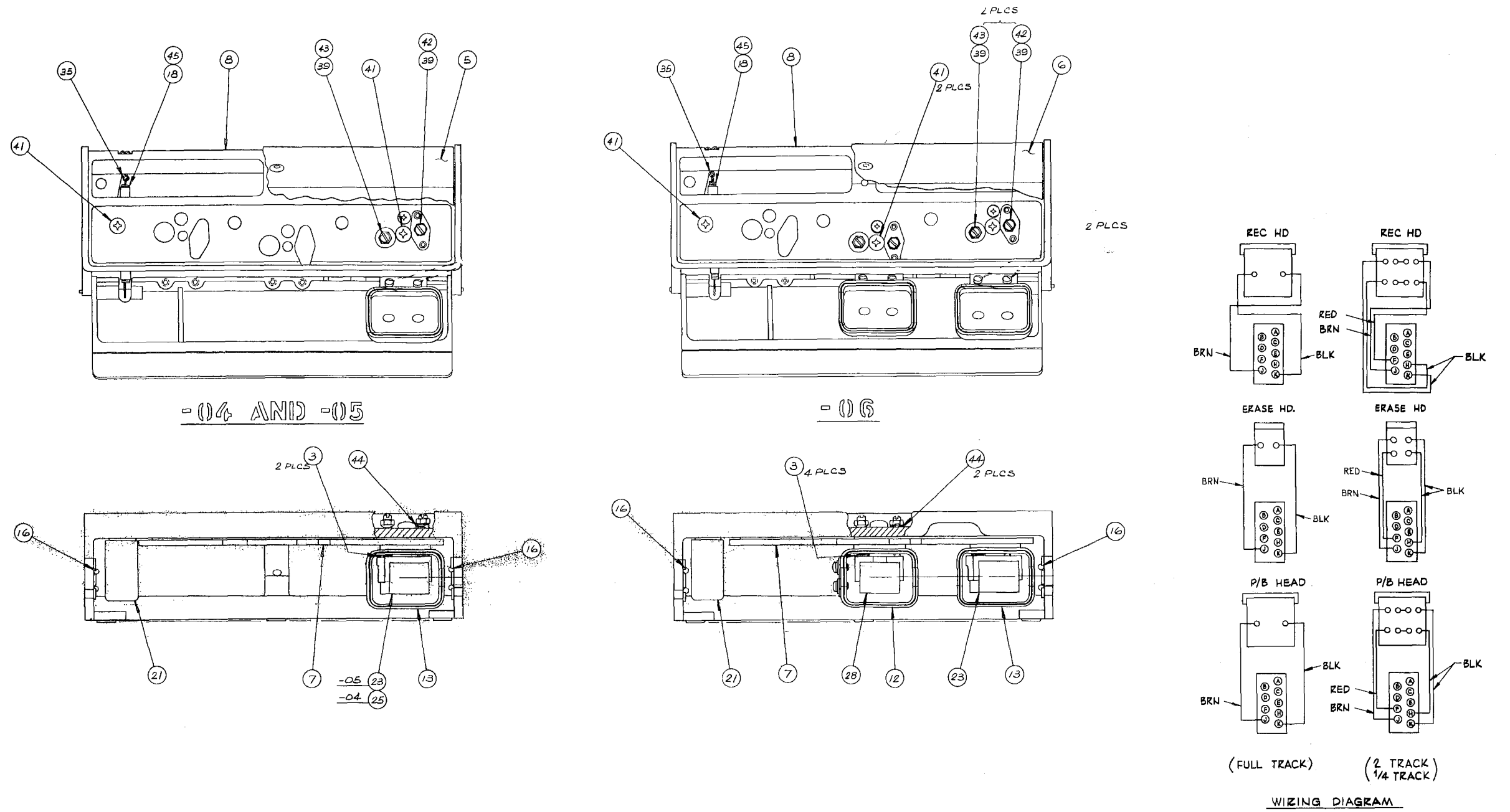


Fig. 6-2. Head Assembly, Reproduce-only, 1/4-inch Tape

HEAD ASSEMBLY, 1/2-inch Tape
 CATALOG NO. 4020273
 (See Figs. 6-3 and 6-4)

ITEM	-01	-02	-03	-04	DESCRIPTION	Ampex Part No.
	X				Head Assembly, 3 track, record/reproduce	4020273-01
		X			Head Assembly, 4 track, record/reproduce	4020273-02
			X		Head Assembly, 3 track, reproduce-only	4020273-03
				X	Head Assembly, 4 track, reproduce-only	4020273-04
1	3		1		Connector, assembly, head (see Fig. 6-3)	4050446-03
2		3		1	Connector, assembly, head (see Fig. 6-3)	4050446-04
3	4	4	2	2	Spring, head adjust	4270169-10
4	1	1	1	1	Overlay, head housing	4350038-01
5	1	1	1	1	Base, head mounting	4350017-01
6	1	1			Spacer, erase head	4350019-02
7	1	1			Shield Can, assembly, record, position #3	4350022-02
8	1	1	1	1	Shield Can, assembly, reproduce, position #4	4350024-02
9	1	1			Gate, assembly, head	4350029-01
13			1	1	Gate, assembly, head	4350029-03
	1	1	1	1	Gate	4350018-01
	1	1			Shield Cover, assembly	4350026-01
			1	1	Shield Cover, assembly	4350028-01
	2	2	1	1	Plate	4270155-10
10	1	1	1	1	Tape Guide, assembly, L. H.	4350033-01
11	1	1	1	1	Tape Guide, assembly, R. H.	4350033-02
12	1	1	1	1	Spring, extension, head gate	4350035-01
14			1	1	Post, dummy head	4210136-01
16	1				Head, assembly, erase, 3 track	1231886-03
17		1			Head, assembly, erase, 4 track	1231888-03
18	1		1		Head Stack, assembly, high density, reproduce, 3 track	4040534-04
19	1				Head Stack, assembly, high density, record, 3 track	4040534-05
20		1			Head Stack, assembly, record, 4 track	4040558-04
21		1		1	Head Stack, assembly, reproduce, 4 track	4040558-05
22	As Required				Shim, erase head, .010 thick	4350025-01
23	As Required				Shim, erase head, .002 thick	4350025-02
24	As Required				Shim, erase head, .003 thick	4350025-03
25	As Required				Shim, erase head, .005 thick	4350025-04

Items of standard hardware not listed.

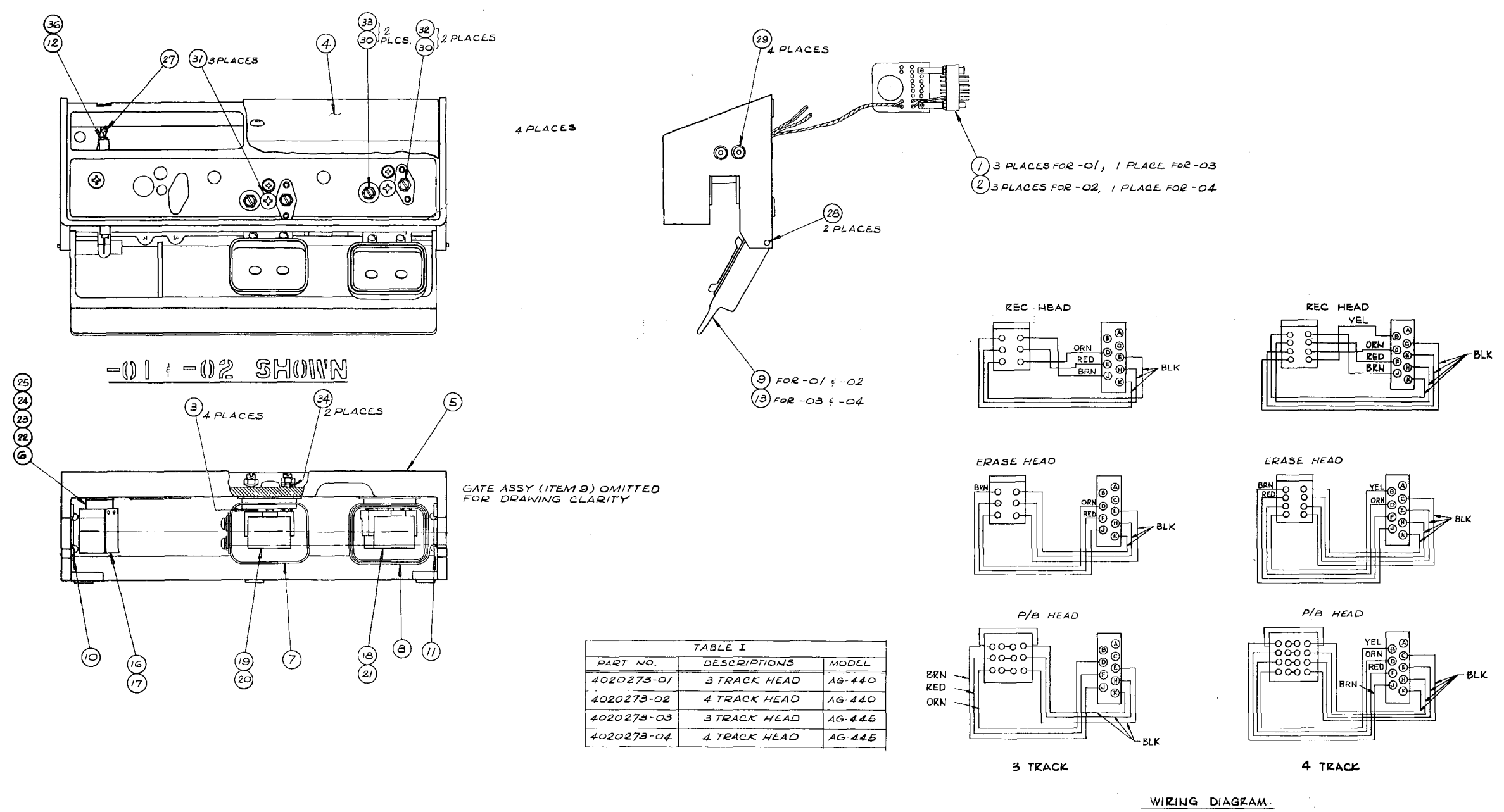
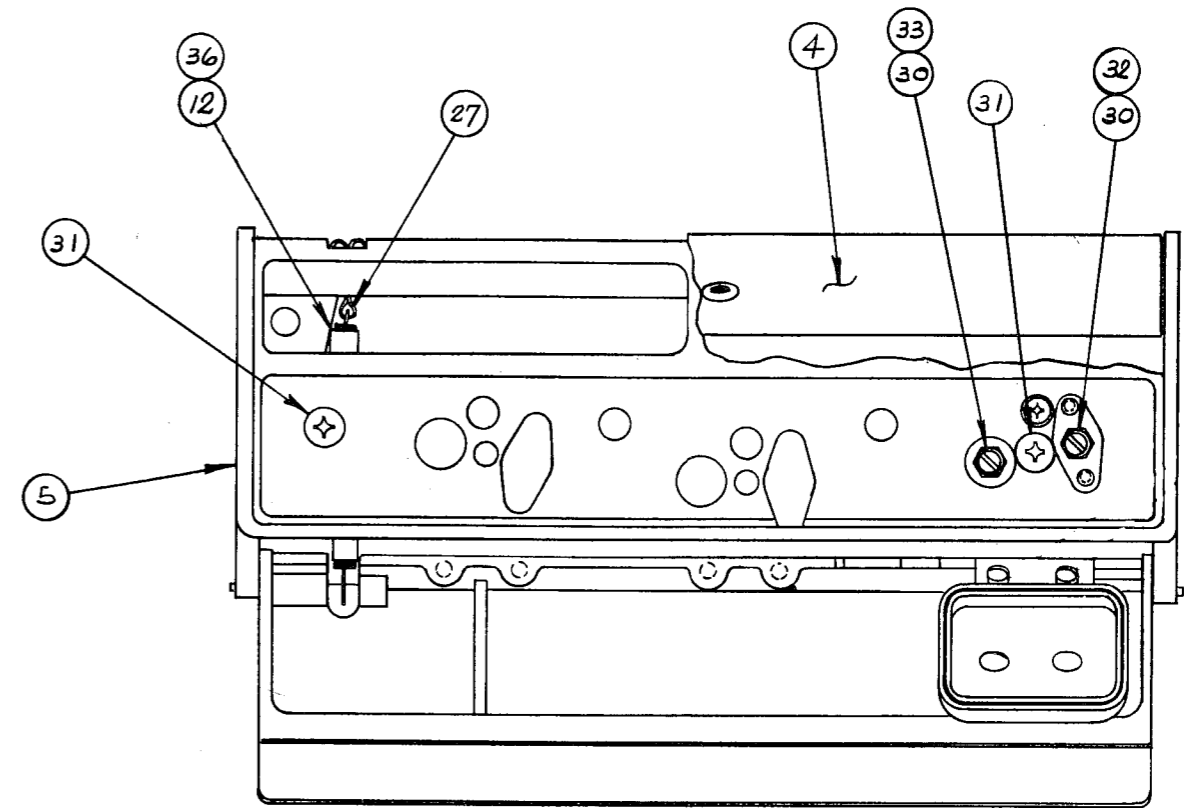


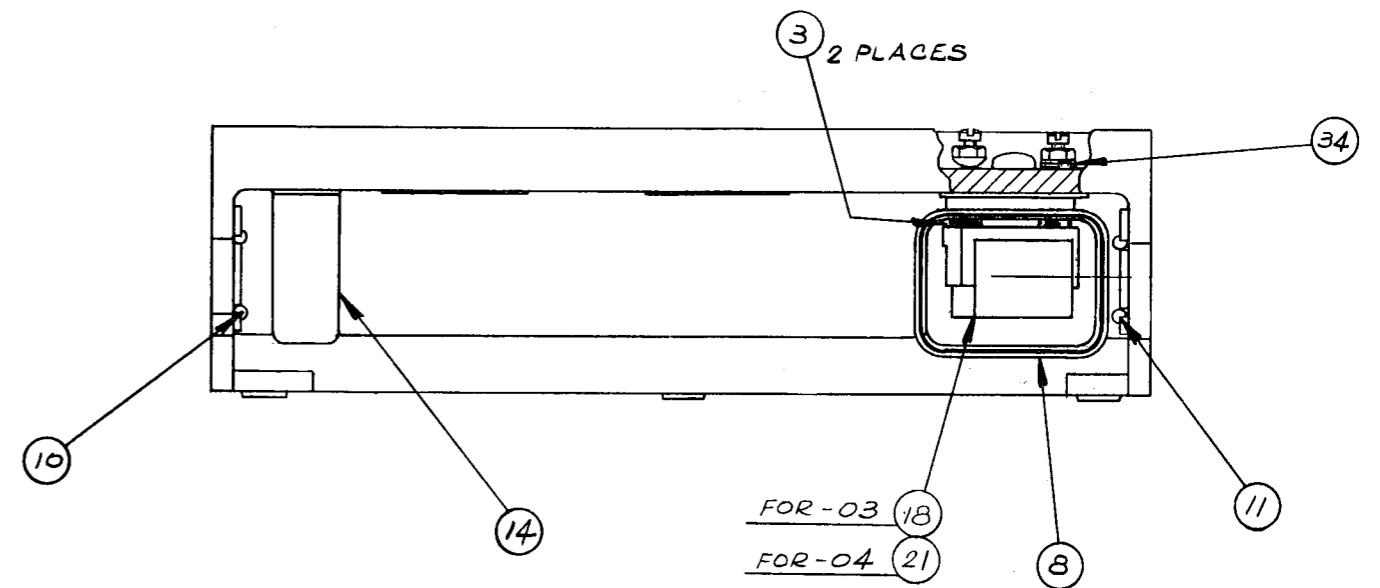
TABLE I

PART NO.	DESCRIPTIONS	MODEL
4020273-01	3 TRACK HEAD	AG-440
4020273-02	4 TRACK HEAD	AG-440
4020273-03	3 TRACK HEAD	AG-445
4020273-04	4 TRACK HEAD	AG-445

Fig. 6-3. Head Assembly, Record/Reproduce, 1/2-inch Tape



-03 & -04 SHOWN

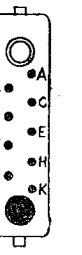
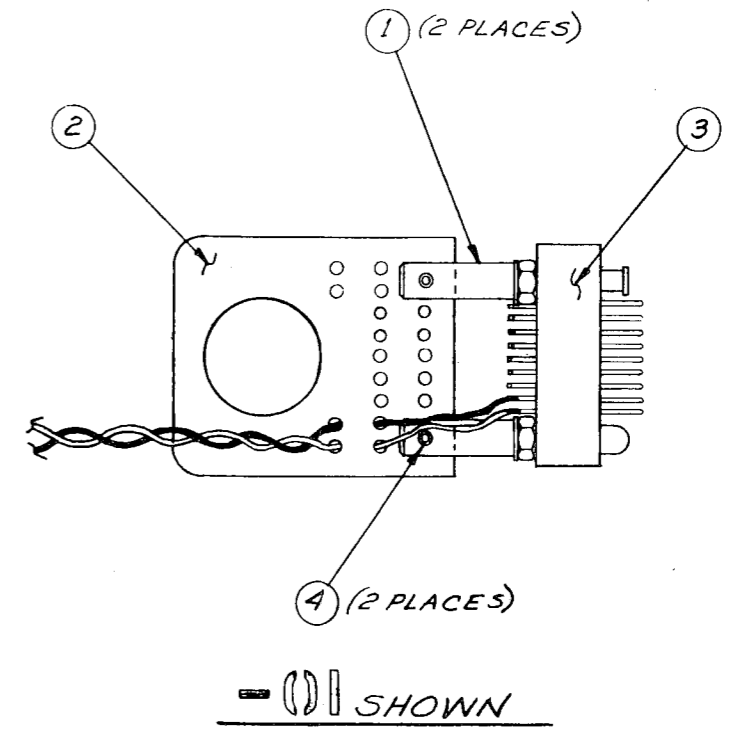


GATE ASSY (ITEM 13) OMITTED
FOR DWG. CLARITY.

HEAD CONNECTOR ASSEMBLY
 CATALOG NO. 4050446
 (See Fig. 6-5)

ITEM	-01	-02	-03	-04	DESCRIPTION	Ampex Part No.
		X			Head Connector, assembly, 1 track head	4050446-01
		X			Head Connector, assembly, 2 track head	4050446-02
			X		Head Connector, assembly, 3 track head	4050446-03
				X	Head Connector, assembly, 4 track head	4050446-04
1	2	2	2	2	Standoff, head connector	4220243-01
2	1	1	1	1	Handle, head connector	4350031-01
3	1	1	1	1	Connector, male, rect., 9 pin	143-300
4	2	2	2	2	Rollpin, .062 dia. x .187 lg.	406-272

See Fig. 6-3 for wire color coding



ASSY NO.	TERMINAL LETTER									
	A	B	C	D	E	F	H	J	K	
4050446-01	-	-	-	-	-	-	-	BRN	BLK	
4050446-02	-	-	-	-	-	RED	BLK	BRN	BLK	
4050446-03	-	-	-	ORN	BLK	RED	BLK	BRN	BLK	
4050446-04	-	YEL	BLK	ORN	BLK	RED	BLK	BRN	BLK	

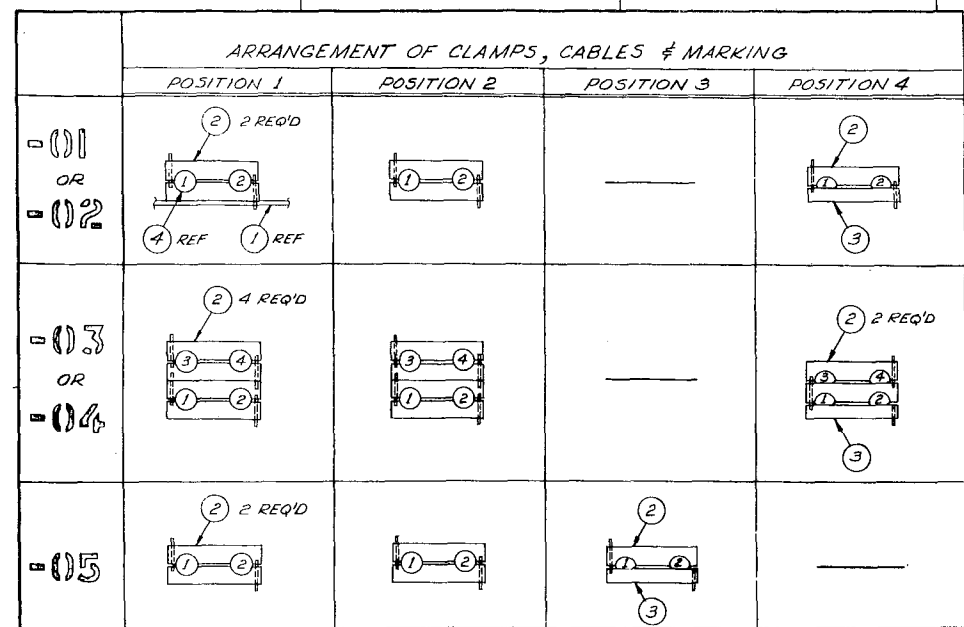
Fig.6-5. Head Connector Assembly

HEAD CABLE BOX ASSEMBLY

CATALOG NO. 4050447

(See Fig. 6-6)

ITEM	-01	-02	-03	-04	-05	DESCRIPTION	Ampex Part No.
	X					Head Cable Box, assembly, 1 channel, 3 position	4050447-01
		X				Head Cable Box, assembly, 2 channel, 3 position	4050447-02
			X			Head Cable Box, assembly, 3 channel, 3 position	4050447-03
				X		Head Cable Box, assembly, 4 channel, 3 position	4050447-04
					X	Head Cable Box, assembly, 2 channel, 4 position	4050447-05
1	1	1	1	1	1	Bracket, head cable mounting	4040947-01
2	5	5	10	10	5	Clamp, assembly, cable	4040951-01
3	1	1	1	1	1	Clamp, assembly, playback cable	4040952-01
4	1	2	3	4	2	Head Cable, assembly, erase	4050143-60
5	1	2	3	4	2	Head Cable, assembly, record	4050144-70
6	1	2	3	4	2	Head Cable, assembly, reproduce	4050446-01
7					1	Rod, switch	4350034-01
8	1	1	1	1	1	Cover, head cable bracket	4290644-01
9	1	1	1	1	1	Shield, head connector	4290645-01
10					1	Wire, retaining	4320115-10
11					1	Switch, slide	4620124-10
12	4	4	4	4	4	Connector, receptacle, female, 9 socket	143-301
13	3	3	3	3	3	Marker Strip, No. 1	202-006
14		3	3	3	3	Marker Strip, No. 2	202-007
15			3	3	3	Marker Strip, No. 3	202-008
16				3	3	Marker Strip, No. 4	202-009
27					1	Terminal Strip, A1, A1, D	180-983
Items of standard hardware, wire, etc., not listed							



CONN A			
ITEM NO.	MARKER NO.	WIRE COLOR	PIN LETTER
④ (ERASE)	1	WHT	J
		BLK	K
	2	WHT	F
		BLK	H
	3	WHT	D
		BLK	E
	4	WHT	B
		BLK	C

CONN D			
ITEM NO.	MARKER NO.	WIRE COLOR	PIN LETTER
⑥ (REP)	1	RED	J
		BLK	K
	2	RED	F
		BLK	H
	3	RED	D
		BLK	E
	4	RED	B
		BLK	C

CONN B			
ITEM NO.	MARKER NO.	WIRE COLOR	PIN LETTER
⑤ (REC)	1	WHT	J
		BLK	K
	2	WHT	F
		BLK	H
	3	WHT	D
		BLK	E
	4	WHT	B
		BLK	C

-05 ONLY
FOR HOOKUP TO
CONNECTORS C & D,
SEE SCHEMATIC

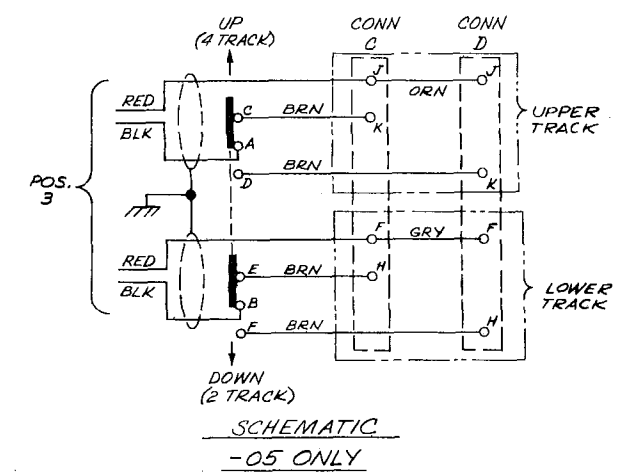
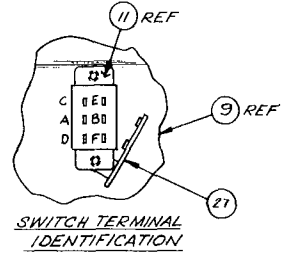
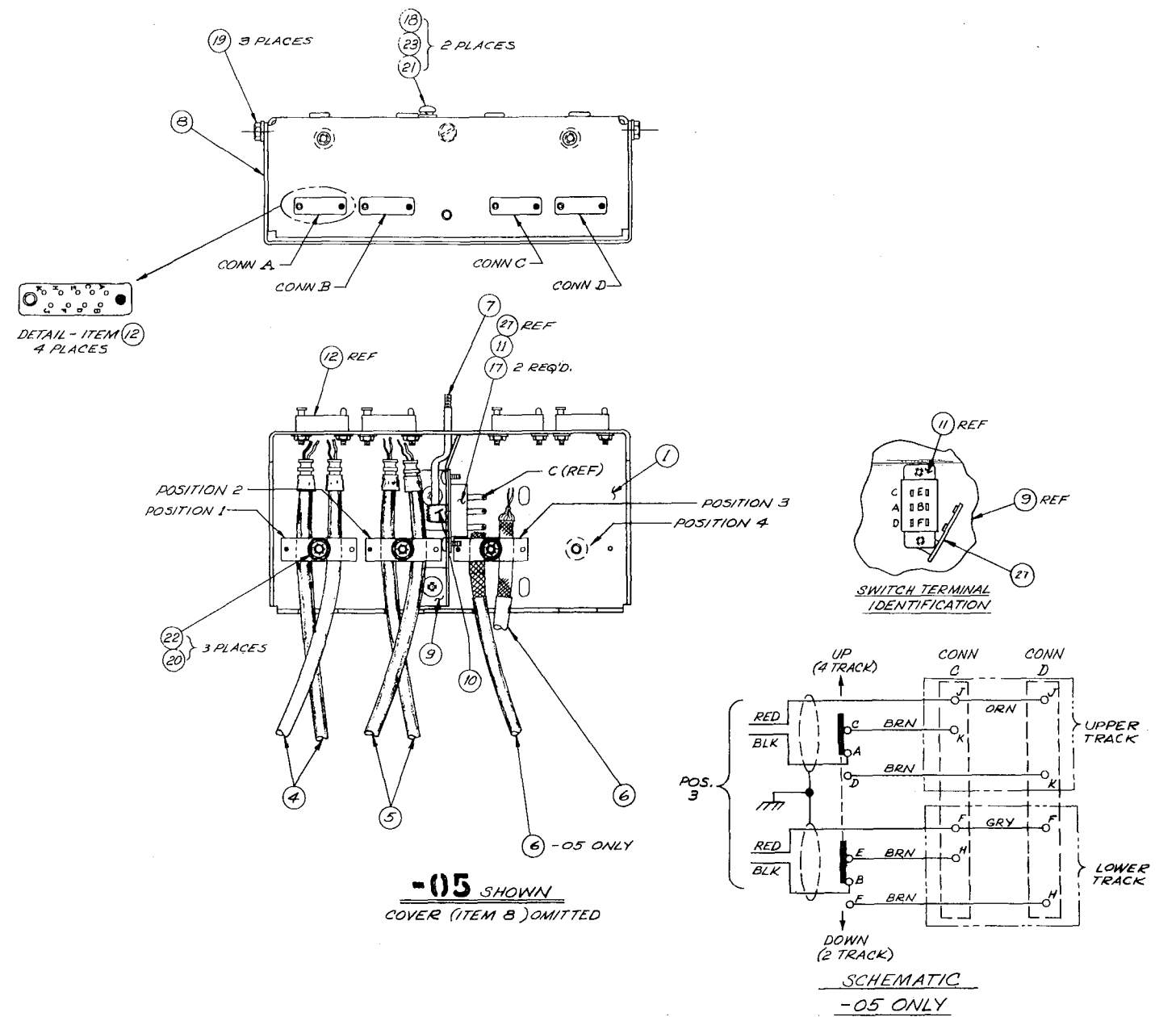
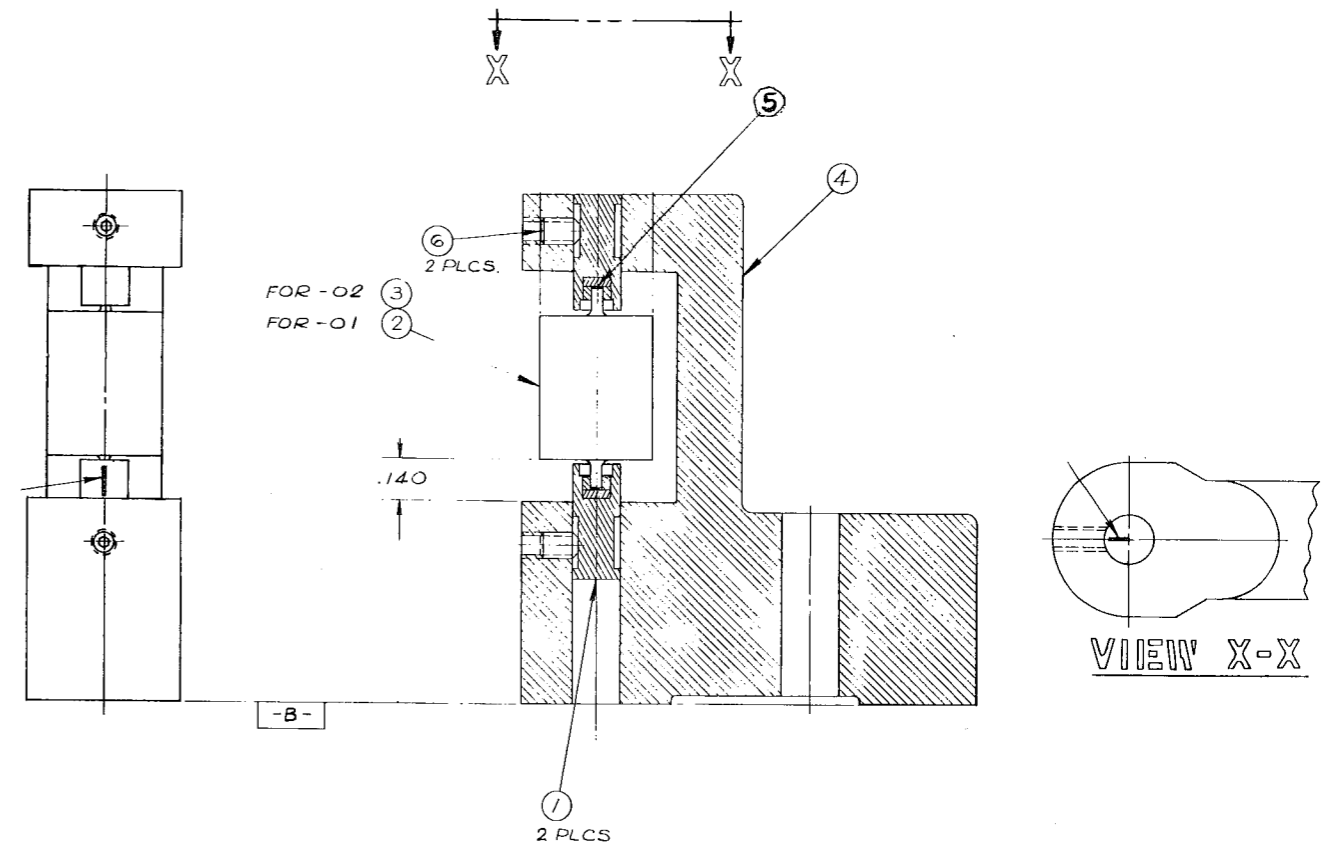


Fig. 6-6 . Head Cable Box Assembly

SCRAPE FLUTTER IDLER ASSEMBLY
 CATALOG NO. 4040955
 (See Fig. 6-7)

ITEM	-01	-02	DESCRIPTION	Ampex Part No.
		X	Scrape Flutter Idler, assembly, furnished as standard equipment (3/8-inch roller)	4040955-01
		X	Scrape Flutter Idler, assembly, optional accessory (15/32-inch roller)	4040955-02
<p><u>No parts of the scrape flutter idlers are replaceable.</u></p>				
<p>Note Optional scrape flutter idler kit Catalog No. 4010069</p>				



MARK IN LINE WITH SET SCREW AS SHOWN

Fig.6-7. Scrape Flutter Idler Assembly

TAPE TRANSPORT ASSEMBLY
 CATALOG NO. 4020271
 (See Figs. 6-8 and 6-9)

ITEM -01 -02 -03 -04				DESCRIPTION	Ampex Part No.
	X			Tape Transport, assembly, 7 1/2 and 15 ips, 60 Hz	4020271-01
		X		Tape Transport, assembly, 7 1/2 and 15 ips, 50 Hz	4020271-02
			X	Tape Transport, assembly, 3 3/4 and 7 1/2 ips, 60 Hz	4020271-03
			X	Tape Transport, assembly, 3 3/4 and 7 1/2 ips, 50 Hz	4020271-04
1	1	1	1	Oil Kit, motor	4010825-02
2	1	1	1	Control Box, assembly (see Figs. 6-15, 6-16, 6-18)	4020083-01
4	1	1		Capstan Idler, assembly, 7 1/2 and 15 ips	4030203-10
5		1	1	Capstan Idler, assembly, 3 3/4 and 7 1/2 ips	4030203-40
	1	1		Wheel, assembly	4040404-10
			1	Wheel, assembly	4040404-50
	1	1	1	Cap, capstan idler	4100166-10
				(No other parts replaceable)	-----
6	1	1	1	Tape Lifter, assembly (see Fig. 6-9)	4030259-01
7	1	1	1	Takeup, assembly (see Fig. 6-10)	4030265-01
8	1	1	1	Rewind, assembly (see Fig. 6-11)	4030266-01
9	1	1	1	Solenoid, assembly, capstan idler	4030272-01
	1	1	1	Stop, Solenoid	4220139-20
	1	1	1	Spring, solenoid return	4270161-10
	1	1	1	Spring, capstan idler adjustment	4270162-10
	1	1	1	Shield, solenoid	4290642-01
	1	1	1	Bolt, eye	4400604-20
	1	1	1	Solenoid	4590063-10
	2	2	2	Solderless Connectors	171-008
	1	1	1	Washer, felt	503-015
10	1	1	1	Solenoid, assembly, tape lifter	4030273-01
	1	1	1	Link	4230242-01
	1	1	1	Stop, solenoid	4260184-10
	1	1	1	Solenoid	4590118-01
	2	2	2	Solderless Connectors	171-008
11		1	1	Dust Cap, assembly, capstan	4040406-10
12	1	1		Dust Cap, assembly, capstan	4040406-20
13	1	1	1	Capacitor, assembly, drive motor (see Fig. 6-18)	4040591-02
14	1	1	1	Reel Idler, assembly (see Fig. 6-13)	4040970-02
15	1	1	1	Takeup Tension Arm, assembly	4040974-02
	1	1	1	Tape Guide	4210310-01
	1	1	1	Hook	4230158-20
	1	1	1	Cap	4250193-01
	1	1	1	Spring, tension	4270158-10
	1	1	1	Screw, tape guide and hook mounting	4400593-01
16	1	1	1	Top Plate, assembly (no replaceable parts)	4040990-01
17	1	1	1	Escutcheon, assembly, left	4040991-01
18	1			Drive Motor, assembly, 7 1/2 and 15 ips, 60 Hz (see Fig. 6-14)	4040993-01
19			1	Drive Motor, assembly, 3 3/4 and 7 1/2 ips, 60 Hz (see Fig. 6-14)	4040993-02
20	1			Drive Motor, assembly, 7 1/2 and 15 ips, 50 Hz (see Fig. 6-14)	4040993-03
21			1	Drive Motor, assembly, 3 3/4 and 7 1/2 ips, 50 Hz (see Fig. 6-14)	4040993-04
22	2	2	2	Capacitor, assembly, takeup and rewind motors (see Fig. 6-18)	4050361-10
23	1	1	1	Safety Switch, assembly (see Fig. 6-18)	4050436-01
24	4	4	4	Pushbutton, white	4100182-01
25	1	1	1	Pushbutton, yellow	4100182-02
26	1	1	1	Pushbutton, red	4100182-03
27	1	1	1	Escutcheon, pushbutton, right	4110266-01
28	2	2	2	Guard reel	4110267-01
29	4	4	4	Pad, toggle switch	4130103-01
30	1	1	1	Shield, safety switch	4170184-01
34	1	1	1	Flywheel, reel idler	4250202-01
35	1	1	1	Spring, tape lifter return	4270252-01
36	1	1	1	Spring, tape lifter solenoid	4270253-01
37	1	1	1	Shield, drive motor	4290641-01
41	1	1	1	Plate, tape lifter solenoid mounting	4330255-01
42	2	2	2	Plate, motor capacitor mounting	4330256-01
43	1	1	1	Plate, capstan solenoid mounting	4330257-01
44	2	2	2	Screw, tape lifter mounting	4400594-01
53	1	1	1	Label, identification	6000035-02
87	1	1	1	Fan, 5-inch dia.	591-001

Non-replaceable parts, standard hardware, wire, etc.,
not listed.

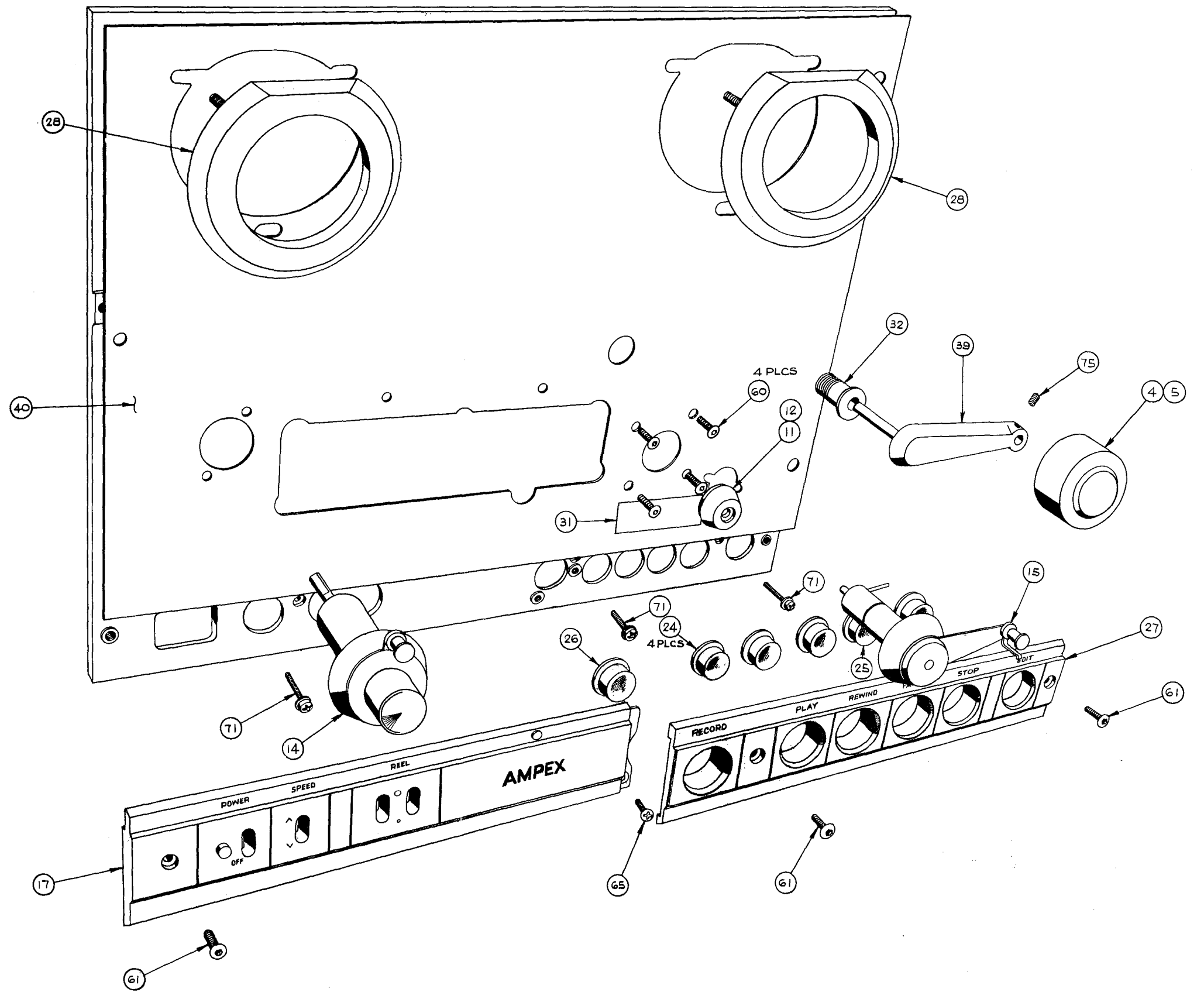
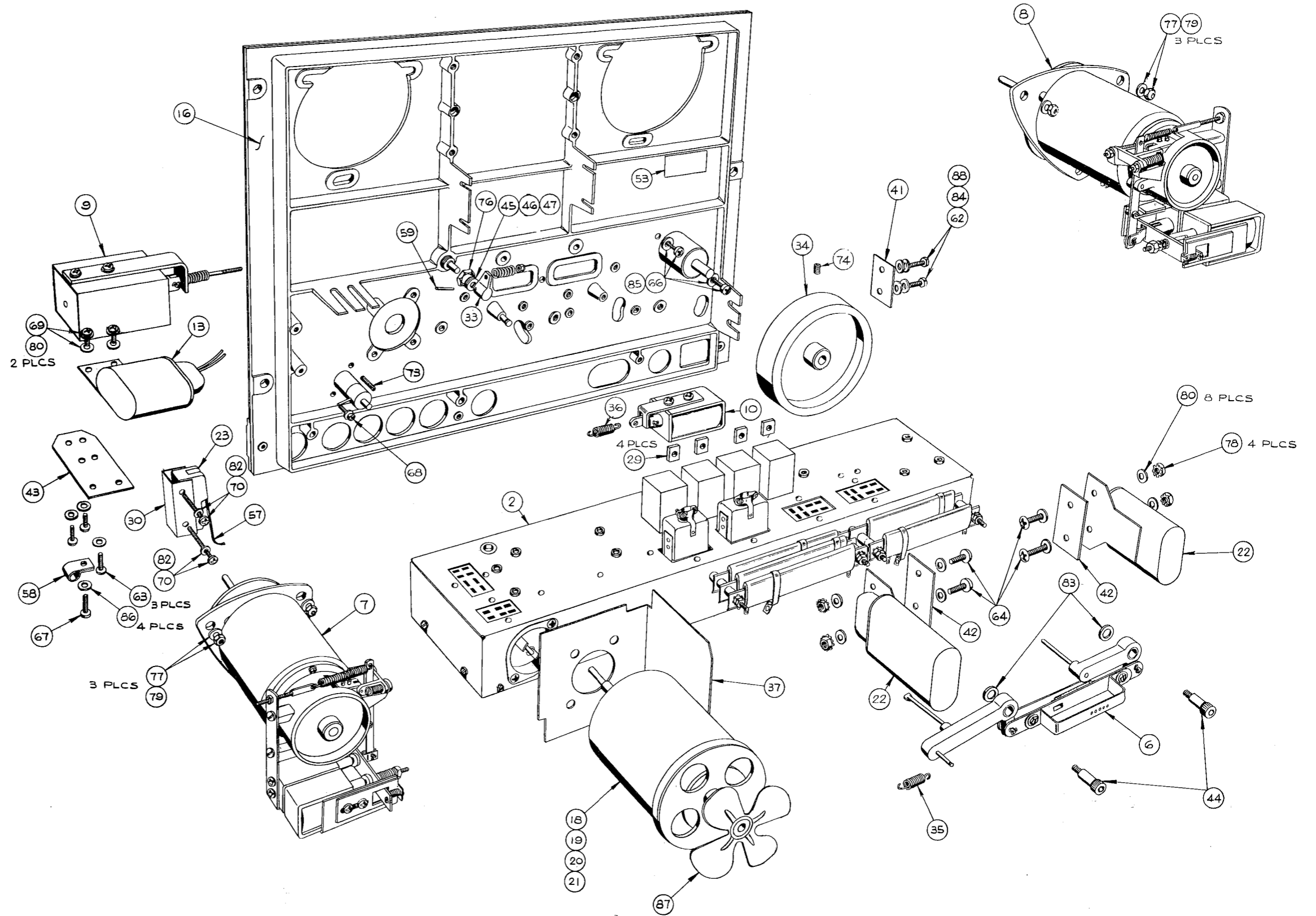
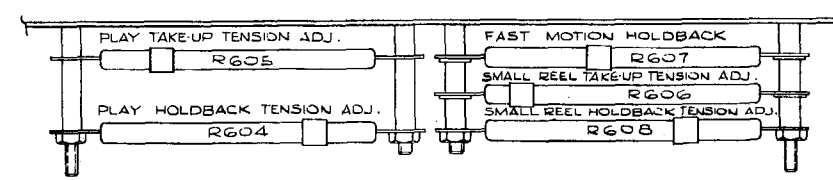
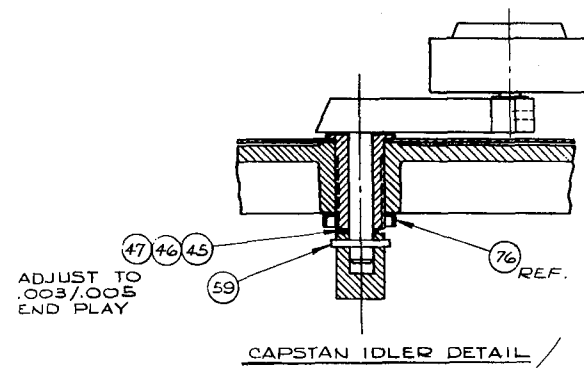


Fig. 6-8. Tape Transport Assembly, Front



PARTS LIST ON FIG. 6-8.

Fig. 6-9, Tape Transport Assembly, Rear



TAKE-UP & SUPPLY TENSION ADJUSTMENTS

CONTROL BOX KNIFE DISCONNECT
CONNECTION INFORMATION

HARNES WIRE COLOR	PART DESCRIPTION	TERM. COLOR
BRN	K609 SOLENOID, TAPE LIFTER	BLK
WHT/VIO	K609 SOLENOID, TAPE LIFTER	BLK
BLU	K610 SOLENOID, CAPSTAN	BLK
WHT/YEL	K610 SOLENOID, CAPSTAN	BLK
YEL	C601 CAPACITOR, CAPSTAN MOTOR	BRN
WHT/VIO	C601 CAPACITOR, CAPSTAN MOTOR	BRN
WHT/RED/2	S603 SWITCH, SAFETY	WHT/RED
VIO	S603 SWITCH, SAFETY	VIO

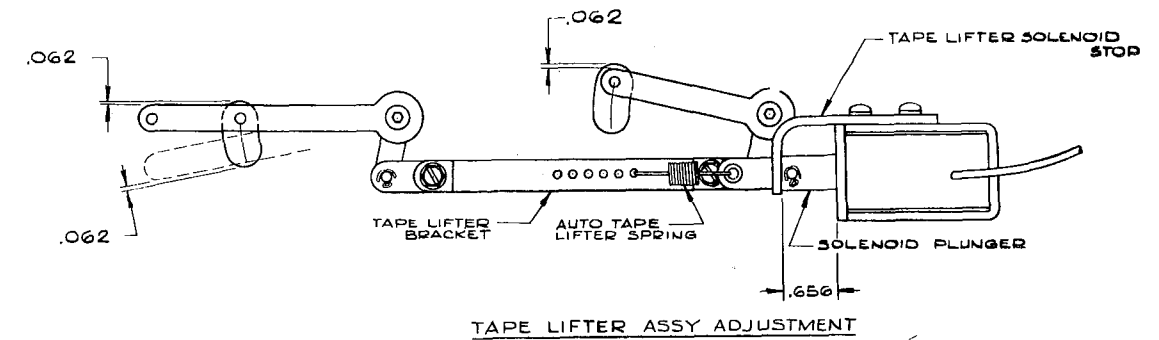
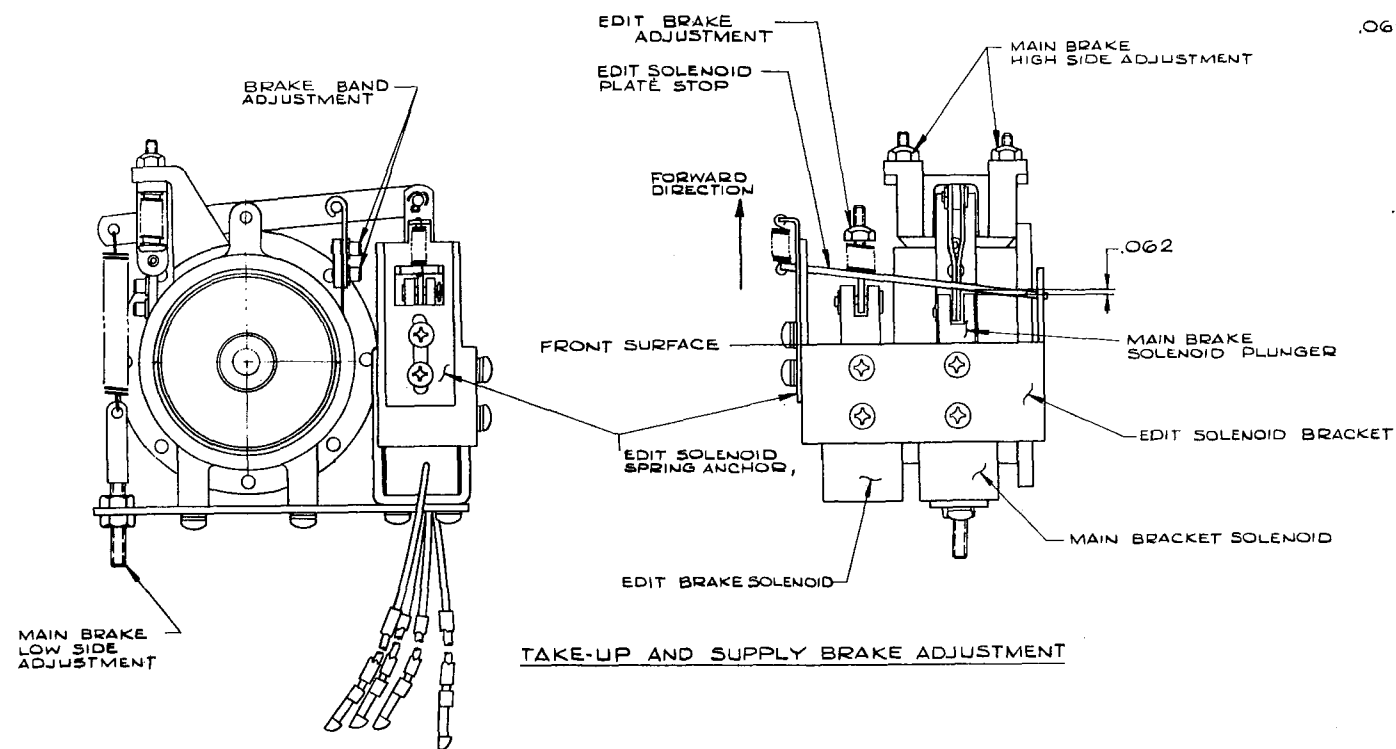
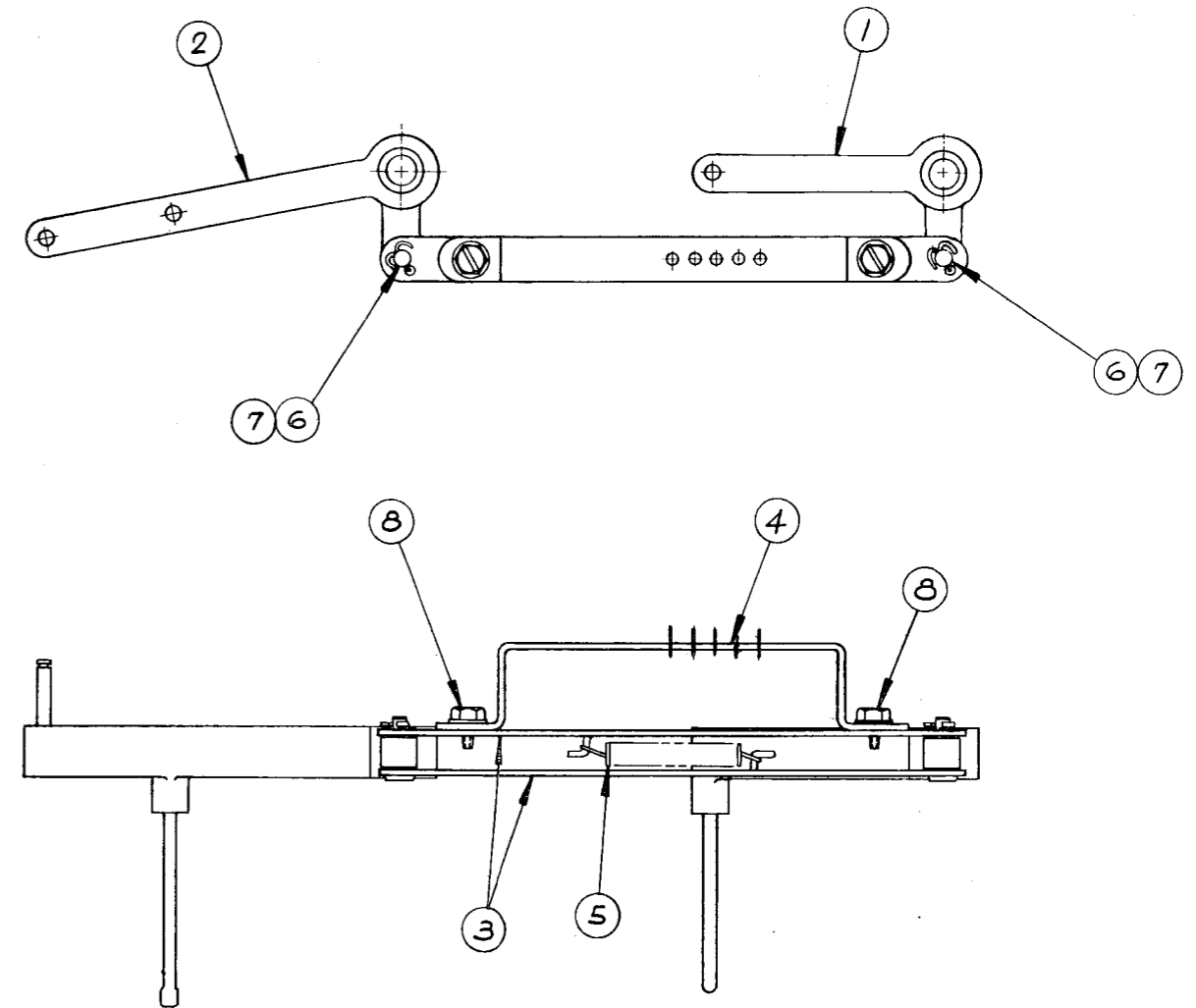


Fig. 6-10. Tape Transport Adjustments

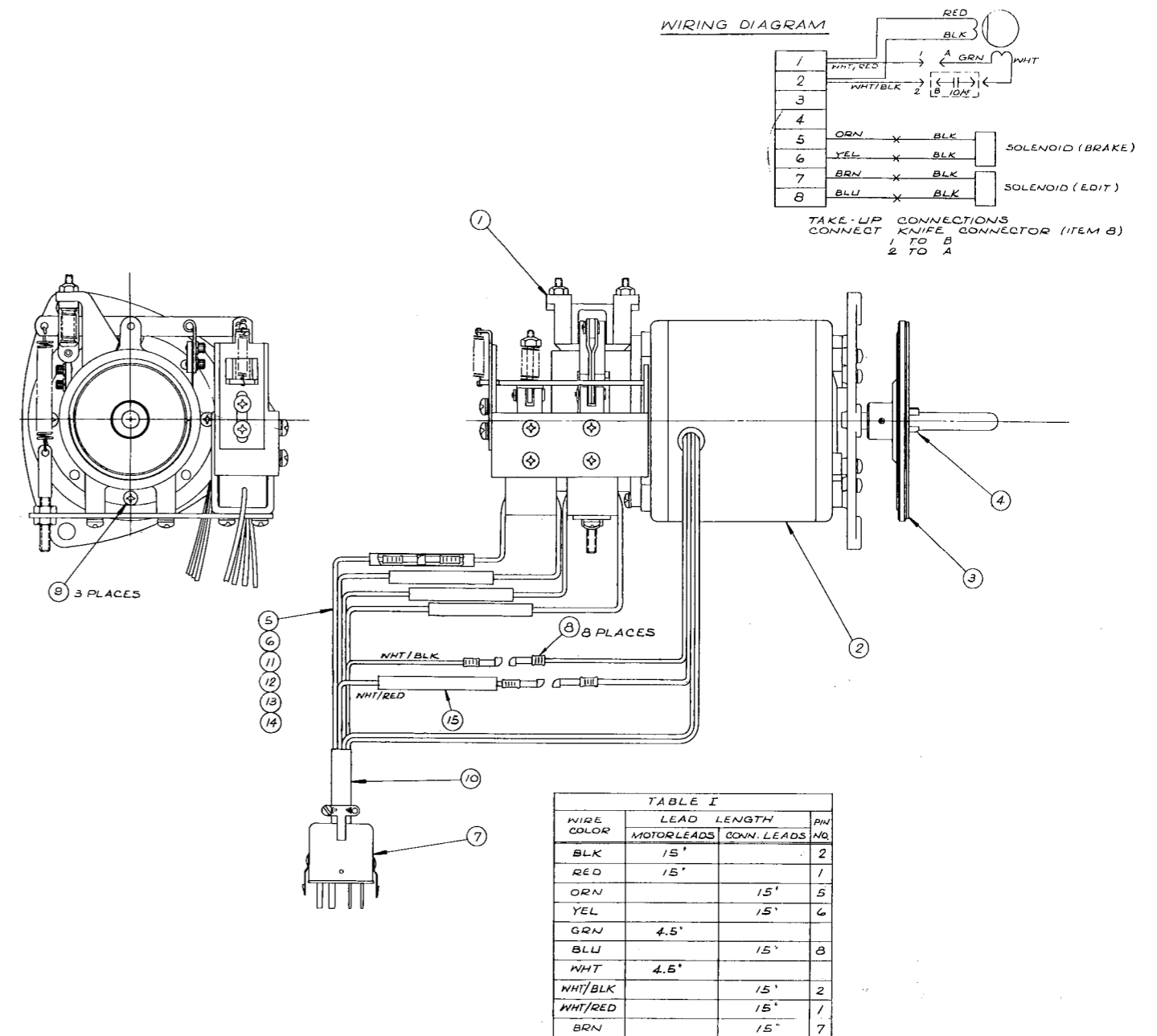
TAPE LIFTER ASSEMBLY
 CATALOG NO. 4030259
 (See Fig. 6-11)

ITEM -01	DESCRIPTION	Ampex Part No.
	Tape lifter, assembly	4030259-01
1	1 Tape Lifter, left hand	4040965-01
2	1 Tape Lifter, right hand	4040966-01
3	2 Link	4230244-01
4	1 Bracket	4260384-01
5	1 Spring	4270254-01
6	2 Pin, Clevis, 1/8-inch dia.	400-004
	Items of standard hardware not listed	



TAKEUP ASSEMBLY
 CATALOG NO. 4030265
 (See Fig. 6-12)

ITEM -01		DESCRIPTION	Ampex Part No.
	X	Takeup, assembly	4030265-01
1	1	Brake, assembly (see Fig. 6-12)	4030264-01
2	2	Motor, assembly	4040969-01
3	1	Pad, turntable	4130163-01
4	1	Drive Plate	4320128-10
7	1	Connector, plug, 8 pins, male	145-013
8	8	Solderless Connector	171-008
		Items of standard hardware, wire, etc., not listed	



REWIND ASSEMBLY
 CATALOG NO. 4030266
 (See Fig. 6-13)

ITEM-01		DESCRIPTION	Ampex Part No.
	X	Rewind, assembly	
1	1	Brake, assembly (see Fig. 6-12)	4030266-01
2	1	Motor, assembly	4030264-02
3	1	Pad, turntable	4040969-01
4	1	Drive Plate	4180163-01
7	1	Connector, plug, 8 pins, male	4230128-10
8	8	Solderless connectors	145-013 171-008
		Items of standard hardware, wire, etc., not listed.	

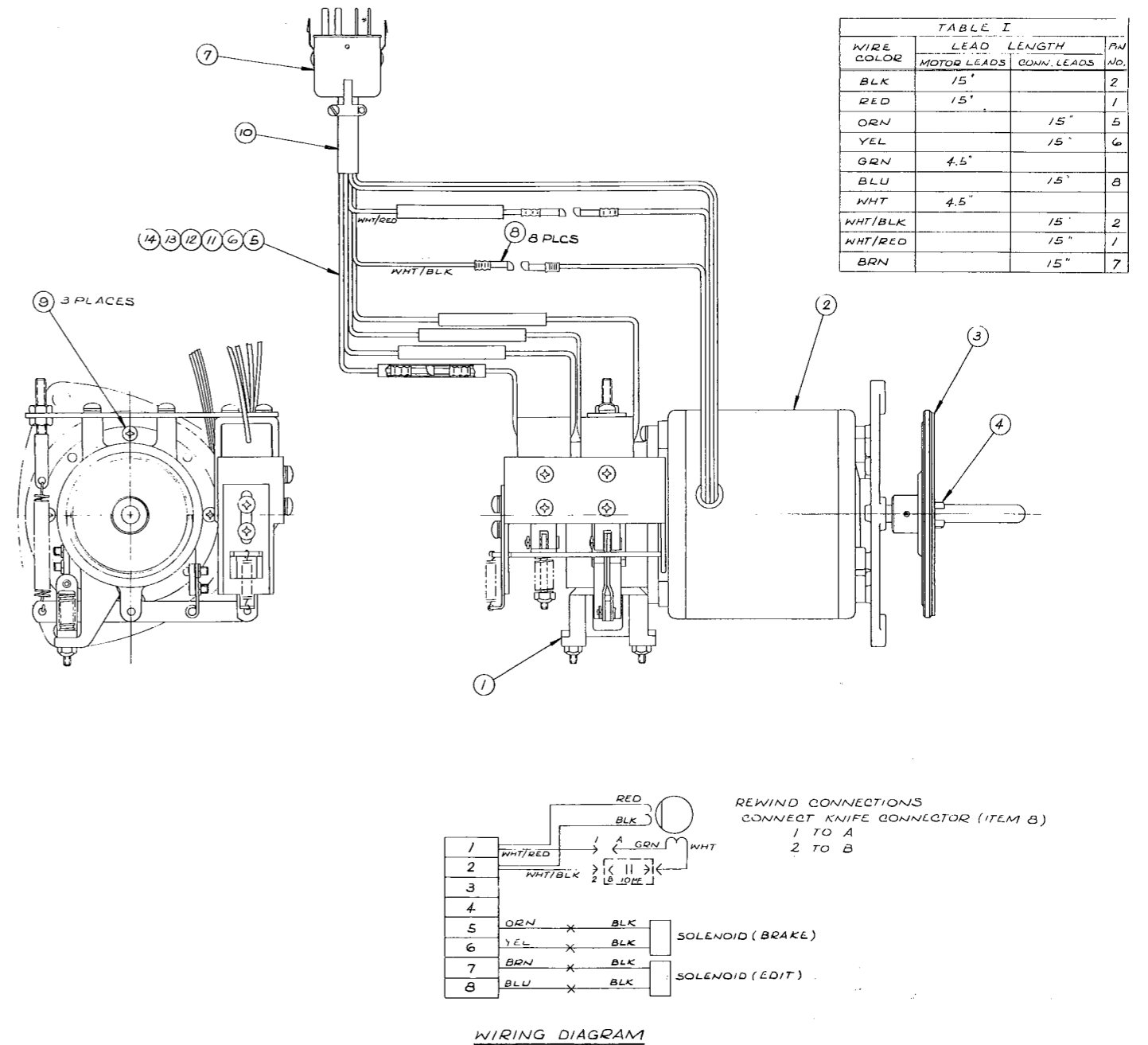
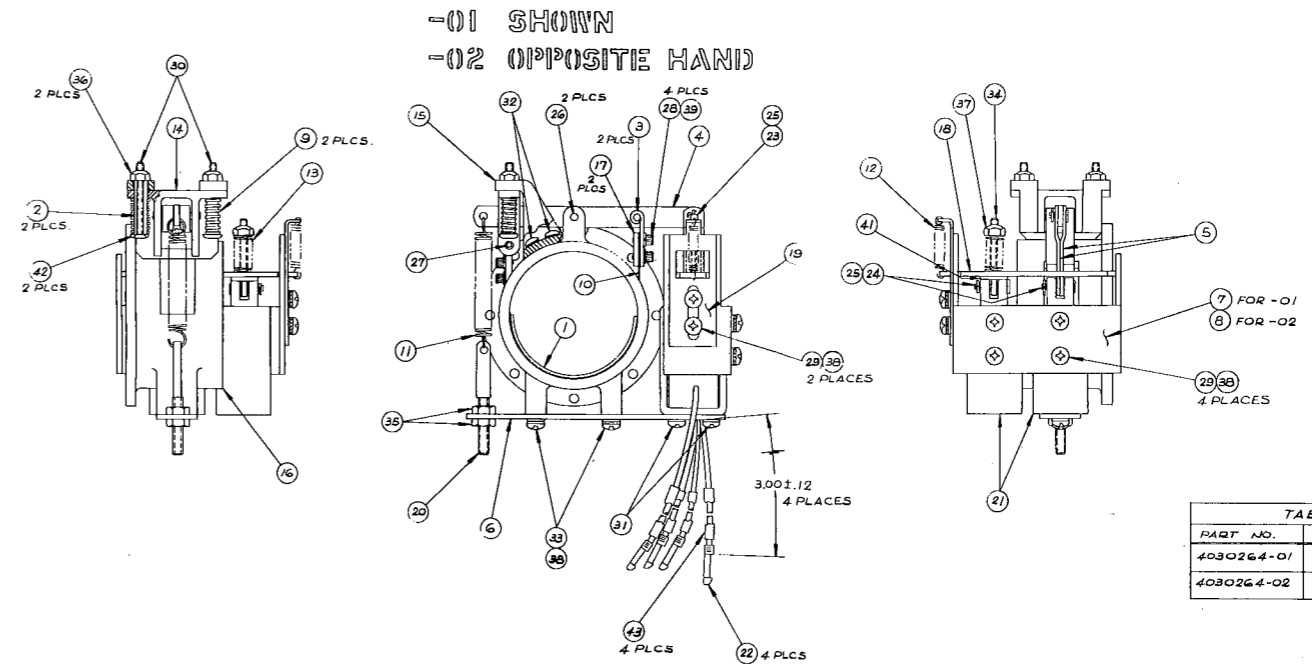


Fig. 6-13. Rewind Assembly

BRAKE ASSEMBLY
 CATALOG NO. 4030264
 (See Fig. 6-14)

ITEM	-01	-02	DESCRIPTION	Ampex Part No.
		X	Brake, assembly, takeup	4030264-01
		X	Brake, assembly, rewind	4030264-02
1	1	1	Band, assembly	4040414-10
2	2	2	Spacer	4220141-10
3	2	2	Link, brake band	4230161-10
4	1	1	Lever, brake	4230162-10
5	2	2	Link, solenoid	4230163-10
6	1	1	Bracket, solenoid	4260183-10
7	1	1	Bracket, edit solenoid	4260386-03
8	1	1	Bracket, edit solenoid	4260386-04
9	2	2	Spring, compression	4270163-10
10	1	1	Spring, leaf	4270164-10
11	1	1	Spring, brake	4270178-10
12	1	1	Spring, edit brake return	4270251-01
13	1	1	Spring, compression	352-085
14	1	1	Cross Head, brake	4330109-10
15	1	1	Anchor, brake	4330110-10
16	1	1	Housing, brake	4330112-10
17	2	2	Clamp, band link	4330113-10
19	1	1	Anchor, spring, edit solenoid	4330260-01
20	1	1	Bolt, spade	4400496-60
21	2	2	Solenoid, brake	4590067-10
22	4	4	Solderless Connectors	171-008

Items of standard hardware not listed.



REEL IDLER ASSEMBLY
 CATALOG NO. 4040970
 (See Fig. 6-15)

ITEM	-02	DESCRIPTION	Ampex Part No.
X		Reel Idler, assembly	4040970-02
1	1	Pulley, assembly	4040408-80
2	1	Bushing (see note below)	4200121-10
4	1	Tape Guide	4210311-01
5	1	Arm, reel idler (see note below)	4230245-01
6	1	Spring, tension, arm	4270160-20
7	1	Housing, reel idler	4290272-10
8	1	Mount, reel idler (see note below)	4290273-10
9	1	Screw, tape guide mounting	4400593-01
11	1	Washer, .003 thick	4440282-01
12	a/r	Washer, .025 thick	4440282-02
15	1	Spring, compression	352-084
17	2	Bearing, ball	421-116
18	3	Retaining ring, internal	430-027

NOTE
 Items 2, 5, and 8, not replaceable separately.
 Contact Ampex Technical Support, Professional Audio,
 for information if replacement is required.

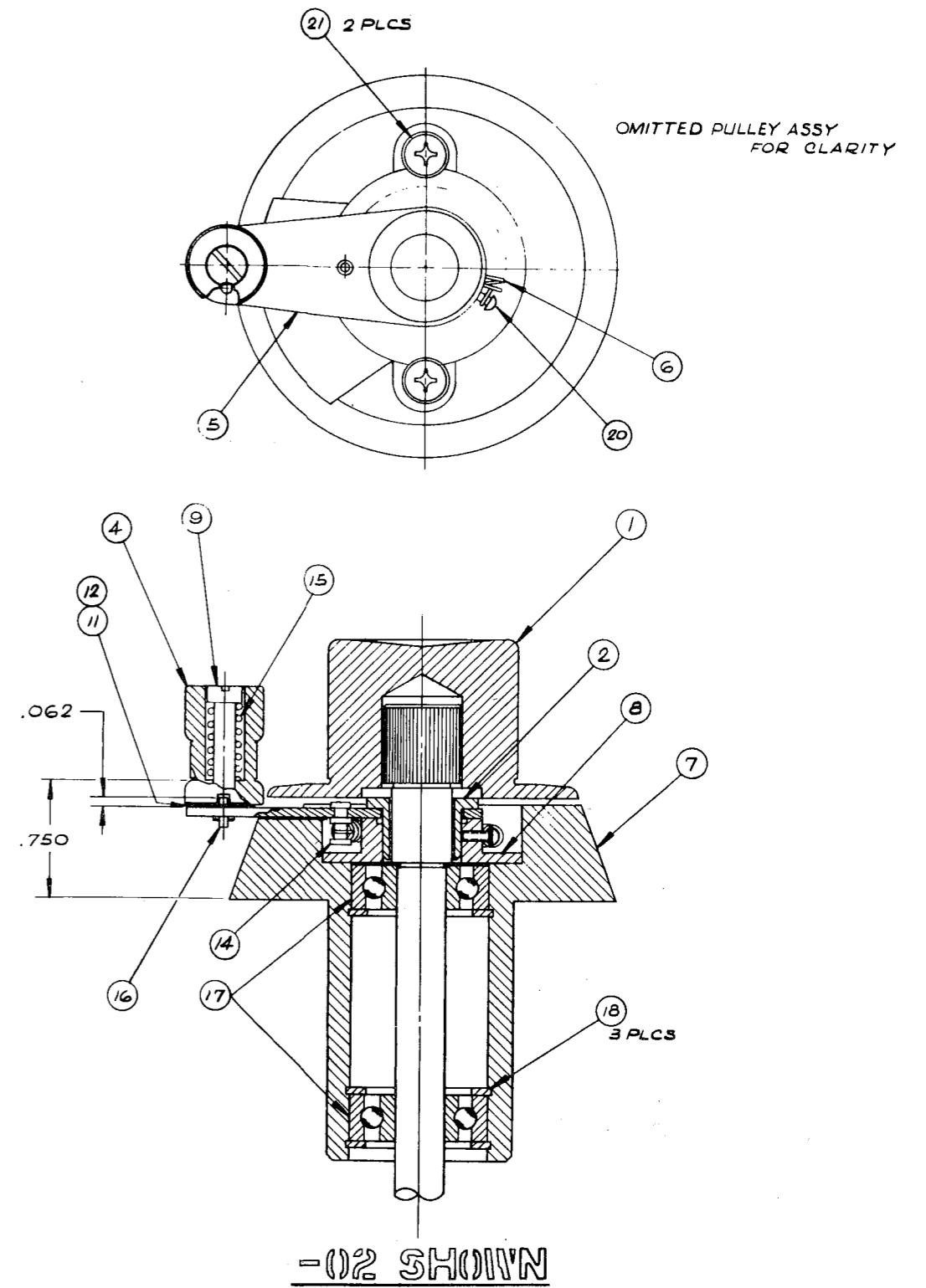
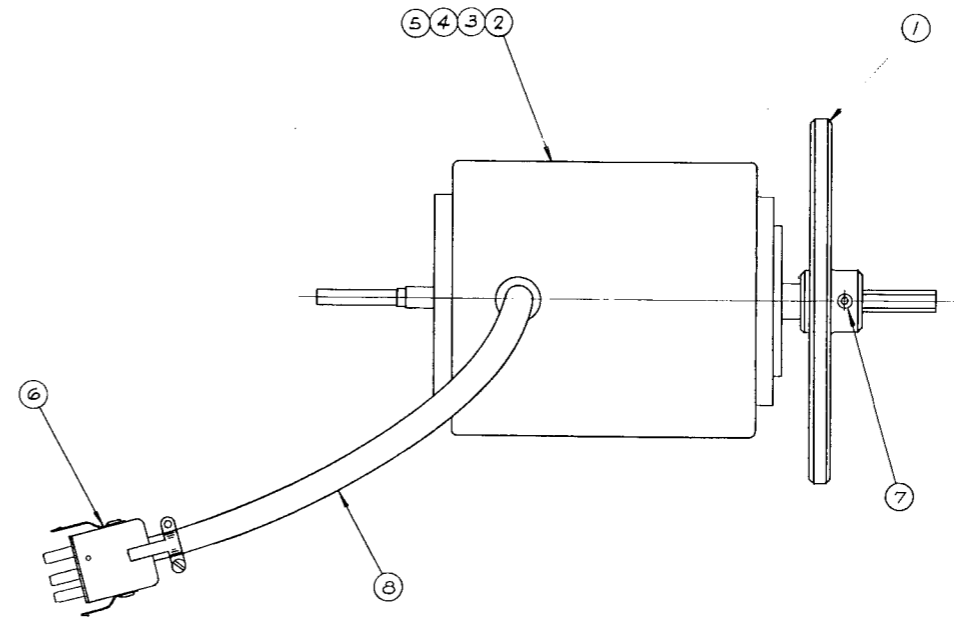


Fig. 6-15. Reel Idler Assembly

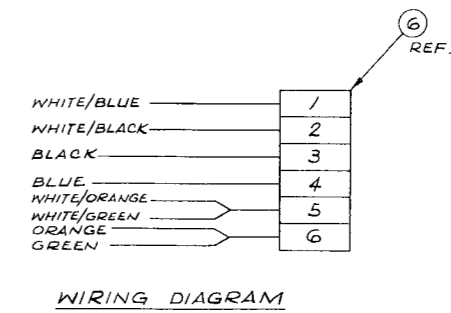
DRIVE MOTOR ASSEMBLY
 CATALOG NO. 4040993
 (See Fig. 6-16)

ITEM	-01	-02	-03	-04	DESCRIPTION	Ampex Part No.
	X				Drive Motor, assembly, 7 1/2 and 15 ips, 60 Hz	4040993-01
		X			Drive Motor, assembly, 3 3/4 and 7 1/2 ips, 60 Hz	4040993-02
			X		Drive Motor, assembly, 7 1/2 and 15 ips, 50 Hz	4040993-03
				X	Drive Motor, assembly, 3 3/4 and 7 1/2 ips, 50 Hz	4040993-04
1	1	1			Flywheel	4250113-10
2	1				Motor, drive	4590120-01
3		1			Motor, drive	4590120-02
4			1		Motor, drive	4590121-01
5				1	Motor, drive	4590121-02
6	1	1	1	1	Connector, plug, 6 pins, male	145-012
7	1	1	1	1	Screw, set, hex socket, cup point, 10-32 x 1/4	477-336
9			1	1	Flywheel	4250114-10

NOTE
 Capstan hard chrome plated (drive motor)



PART NO.	SPEED	CYCLE
4040993-01	7.5 - 15 IPS	60
4040993-02	3.75 - 7.5 IPS	60
4040993-03	7.5 - 15 IPS	50
4040993-04	3.75 - 7.5 IPS	50

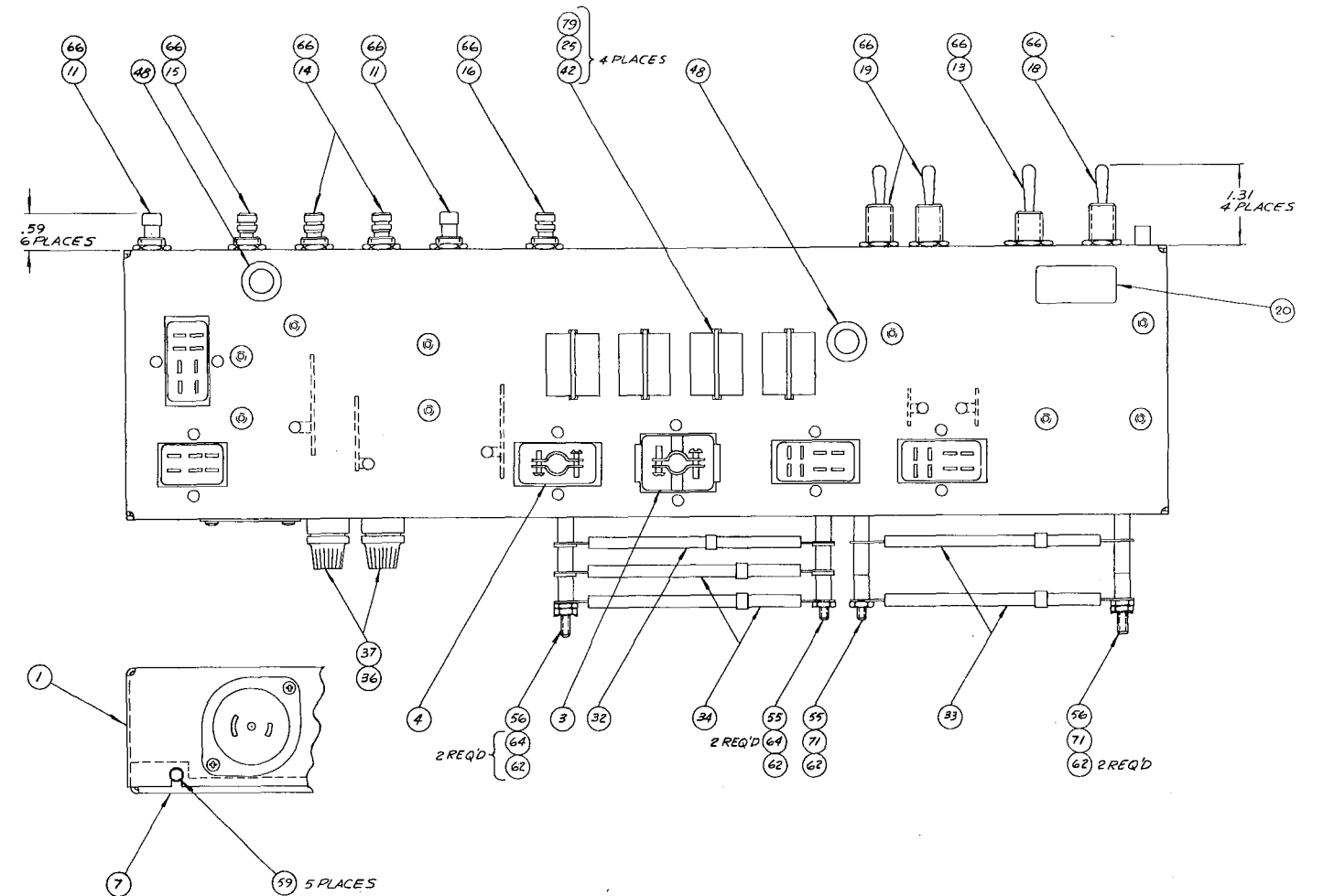


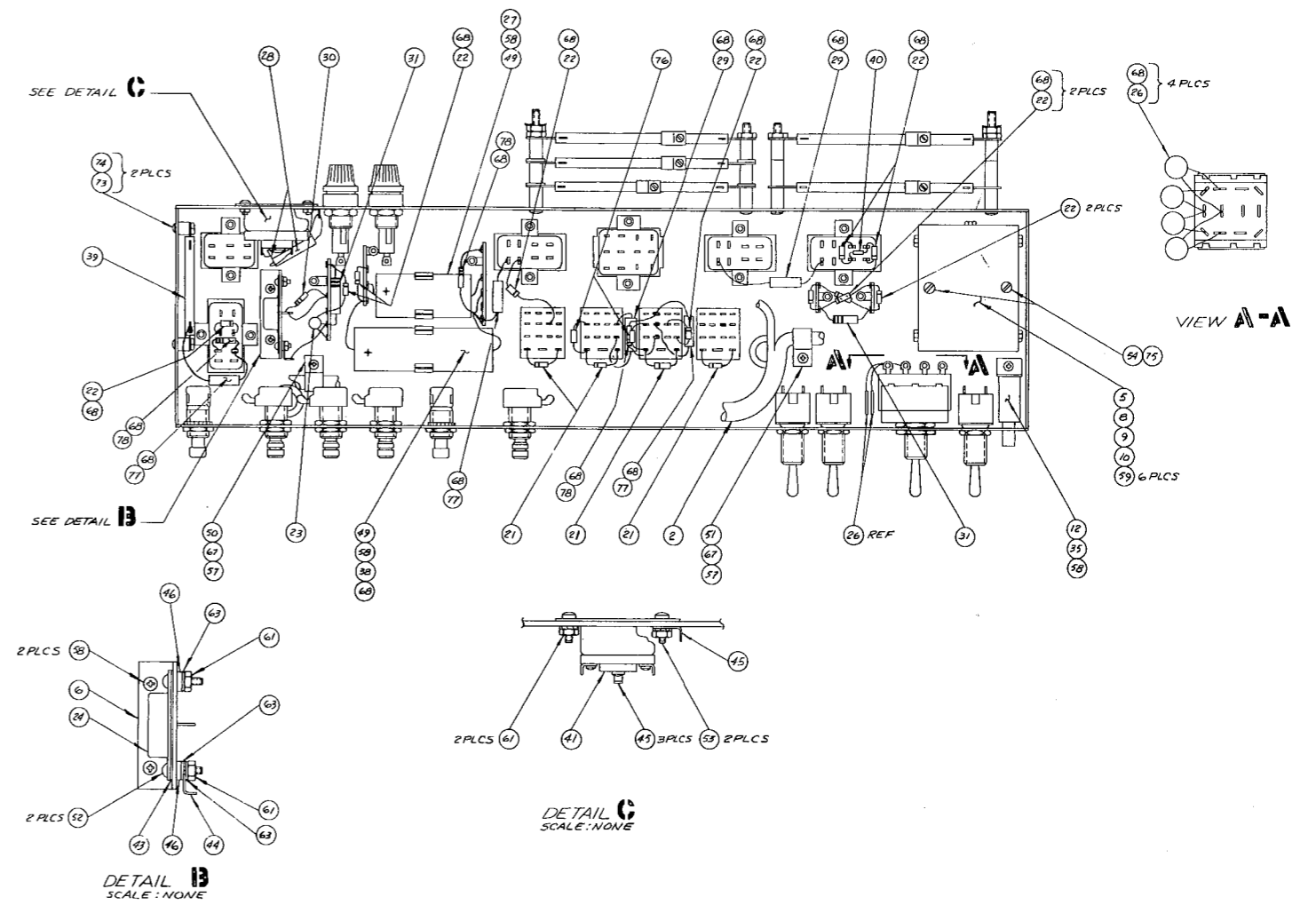
CONTROL BOX
 CATALOG NO. 4020083
 (See Figs. 6-17 and 6-18)

(Alpha-Numerical listing of electronic parts with Fig. 6-20)

ITEM -01	DESCRIPTION	Ampex Part No.
X	Control Box	4020083-01
3	1 Dummy Plug, remote control (P605P)	4050444-01
4	1 Dummy Plug, motor drive amplifier (P604P)	4050138-10
5	1 Insulator, wraparound, transformer	4170108-01
6	1 Bracket, transistor mounting	4260399-01
7	1 Cover, assembly, control box	4041015-01
8	1 Transformer, power, (T601)	4580198-01
9	1 Shield, power transformer	4600149-01
10	2 Shield, power transformer	4600150-01
11	2 Switch, pushbutton (S608, S611)	4620064-01
12	1 Lamp Holder, pilot light	4610083-01
13	1 Switch, speed, 3 P. D. T., toggle (S602)	4620053-01
14	2 Switch, pushbutton, normally open (S604, S605)	4620144-10
15	1 Switch, pushbutton, normally closed (S606)	4620144-20
16	1 Switch, pushbutton, normally open (S609)	4620144-30
18	1 Switch, power (S601)	4620199-01
19	2 Switch, reel (S607, S610)	4620200-01
21	4 Diode, silicon (CR608, CR609, CR612, CR614)	013-599
22	11 Diode, silicon (CR601 thru CR607, CR610, CR611, CR613, CR615)	013-678
23	1 Transistor, silicon, (Q601)	014-611
24	1 Transistor, germanium, 40022 (Q602)	014-728
25	4 Relay, 4PDT (K601, K602, K603, K604)	020-144
26	4 Capacitor, ceramic; .02 mfd, 500 vdcw (C602, C603, C604, C605)	030-001
27	1 Capacitor, electrolytic; 500 mfd, 50 vdcw (C609)	031-134
28	2 Capacitor, ceramic disc; .005 mfd, 1400 vdcw (C606, C607)	030-465
29	2 Capacitor, paper; .047 mfd, 400 vdcw (C608, C613)	035-985
30	1 Resistor, fixed, comp.; 10 ohms, 10%, 1/2w (R601)	041-032
31	2 Resistor, fixed, comp.; 1,200 ohms, ±10%, 1w (R602, R603)	041-147
32	1 Resistor, adjustable, wirewound; 750 ohms, 55w (R607)	059-013
33	2 Resistor, adjustable, wirewound; 150 ohms, 55w (R604, R605)	059-014
34	2 Resistor, adjustable, wirewound; 100 ohms, 55w (R606, R608)	059-015
35	1 Lamp, 120V, .025 amp (DS601)	060-323
36	2 Fuse, 3 amp, slo-blo (F601, F602)	070-002
37	2 Fuseholder, short body	085-001
38	1 Capacitor, electrolytic; 150 mfd, 180 vdcw (C614)	031-624
39	1 Resistor, wirewound; 20 ohms, 20w (R609)	059-056
40	1 Resistor, fixed, comp.; 47,000 ohms, 1w (R611)	041-166
41	1 Connector, power; 3 contacts, male (J601S)	147-079
42	4 Socket, relay	150-119
43	1 Washer, mica, transistor mounting	014-703
46	2 Washer, shoulder, nylon	503-089
49	2 Clamp, capacitor	301-011
50	1 Clamp, cable, plastic, 7/16 ID	302-006
51	1 Clamp, cable, plastic, 3/8 ID	302-036
71	2 Spacer, plain	280-026
76	2 Resistor, fixed, comp.; 180 ohms, 1/2w (R610, R615)	041-257
77	3 Capacitor, paper; 0.1 mfd, 400 vdcw (C610, C611, C612)	035-999
78	3 Resistor, fixed, comp.; 100 ohms, 1/2w (R612, R613, R614)	041-038
79	4 Spring, relay hold down	020-492
4	Connector, receptacle, 8 sockets, female (J603S, J604S, J606S, J607S)	146-003
1	Connector, receptacle, 6 sockets, female (J602S)	146-004
1	Connector, receptacle, 12 sockets, female (J605S)	146-009

Items of standard hardware, wire, etc., not listed.





PARTS LIST ON FIG. 6-17.

Fig. 6-18. Control Box Assembly, Inner

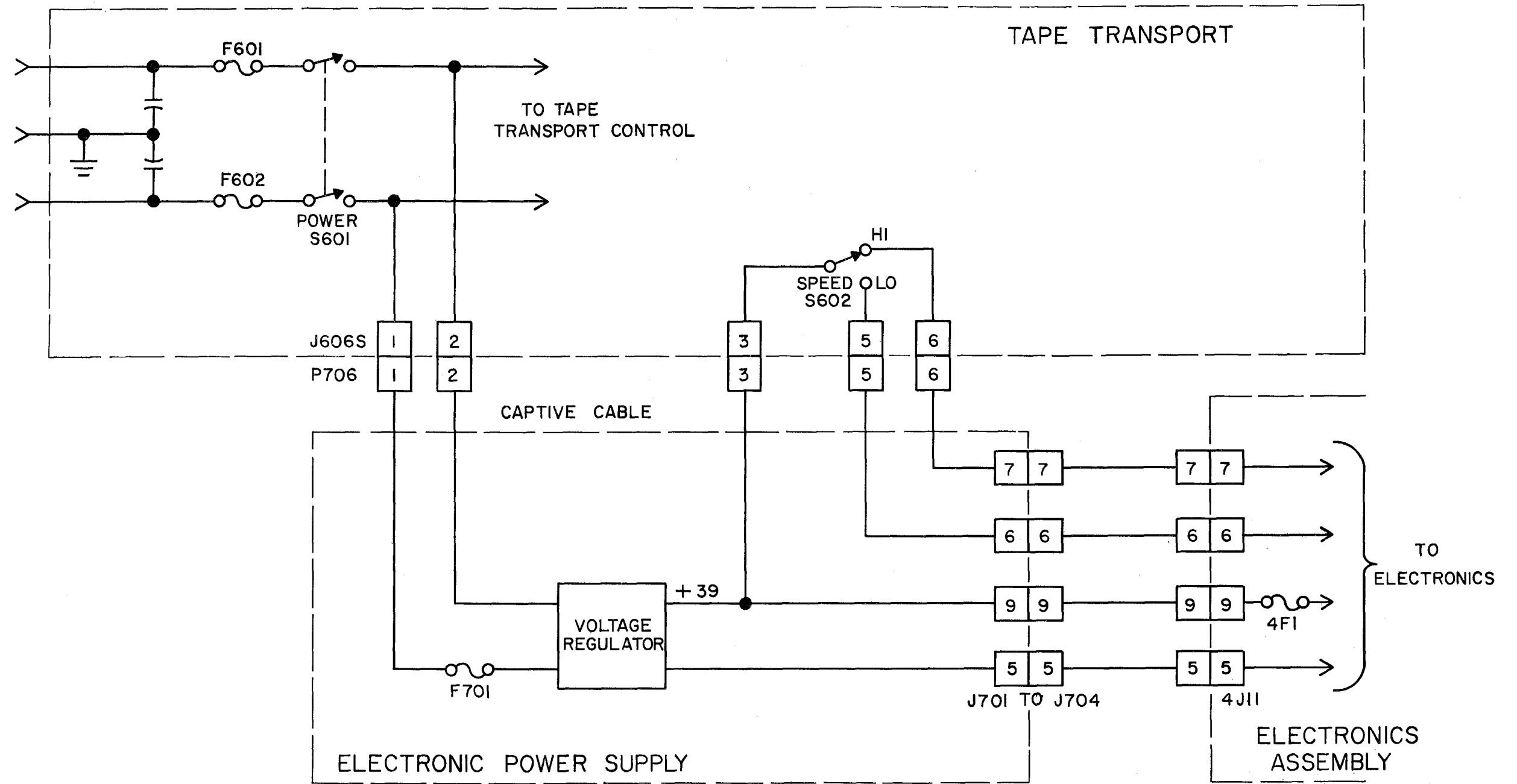


Fig. 6-19. Fusing Diagram

ELECTRONIC COMPONENTS, TAPE TRANSPORT
(See Fig. 6-20)

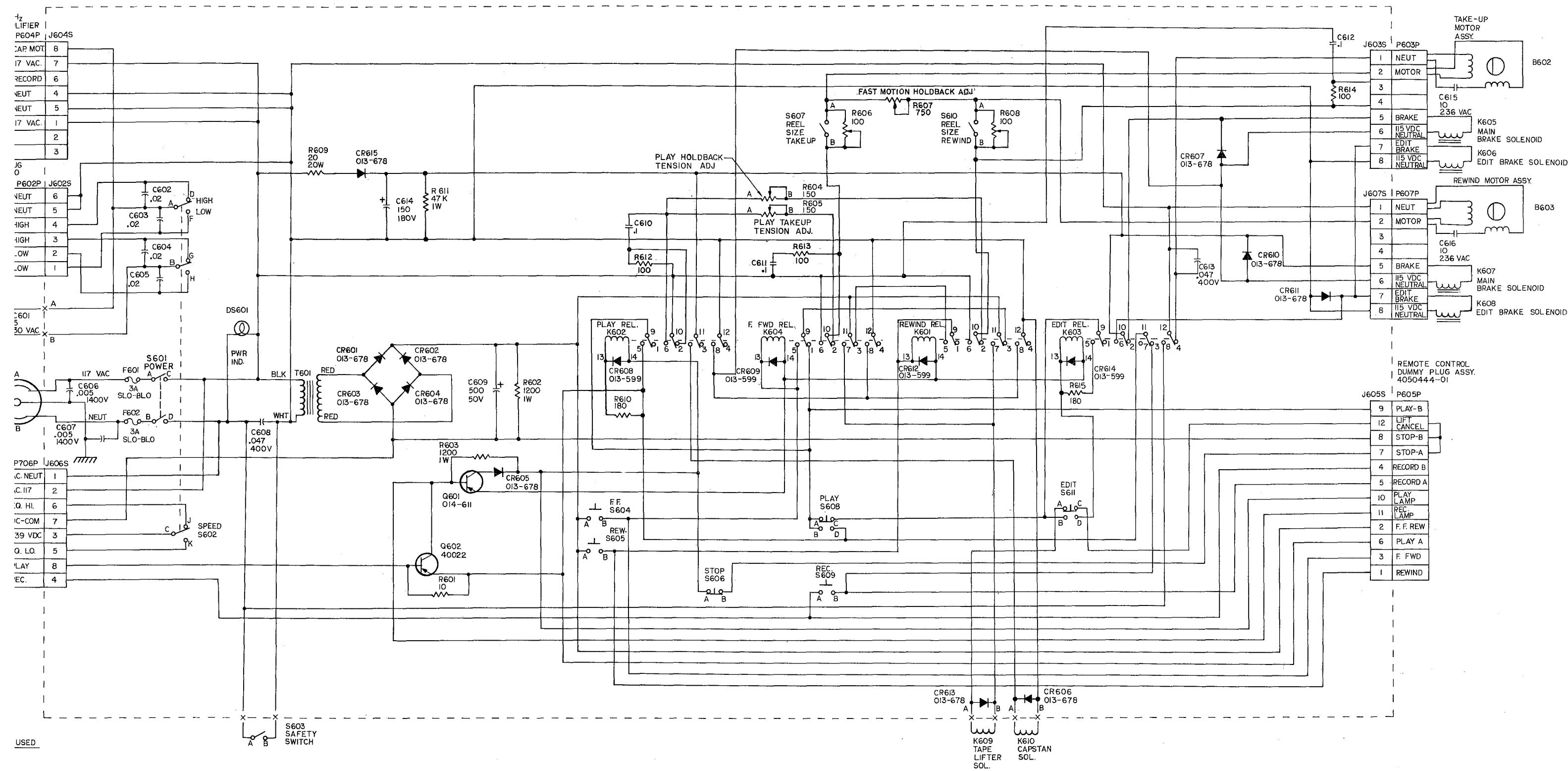
(Location of components in control box shown with Figs. 6-17 and 6-18)

Ref. No.	Qty	DESCRIPTION	LOCATION	Ampex Part No.
B601	1	Motor, drive, assembly (see Fig. 6-14)	T	4040993
B602	1	Motor, takeup, assembly (see Fig. 6-10)	T	4030265-01
B603	1	Motor, rewind, assembly (see Fig. 6-11)	T	4030266-01
C601	1	Capacitor, assembly, drive motor	T	4040591-02
	1	Capacitor, 5.0 mfd, 330 vac		4540292-30
	1	Safety Boot		032-082
	2	Solderless Connectors		171-008
C602	4	Capacitor, ceramic disc; .02 mfd, 500 vdcw	CB	030-001
C603	-	Same as C602	CB	
C604	-	Same as C602	CB	
C605	-	Same as C602	CB	
C606	2	Capacitor, ceramic disc; .005 mfd, -20+80%, 1400 vdcw	CB	030-465
C607	-	Same as C606	CB	
C608	2	Capacitor, mylar, tubular; .047 mfd, ±20%, 400 vdcw	CB	035-985
C609	1	Capacitor, electrolytic; 500 mfd, -10+150%, 50 vdcw	CB	031-134
C610	3	Capacitor, mylar, tubular; 0.1 mfd, ±10%, 400 vdcw	CB	035-999
C611	-	Same as C610	CB	
C612	-	Same as C610	CB	
C613	-	Same as C608	CB	
C614	1	Capacitor, electrolytic; 150 mfd, -10+100%, 180 vdcw	CB	031-624
C615	2	Capacitor, assembly, takeup motor	T	4050361-10
	2	Capacitor, 10 mfd, 236 vac		4540312-10
	2	Safety Boot		032-082
	4	Solderless Connectors		171-008
C616	-	Same as C615, for rewind motor	T	
CR601	11	Diode, silicon, large signal, rectifier	CB	013-678
CR602	-	Same as CR601	CB	
CR603	-	Same as CR601	CB	
CR604	-	Same as CR601	CB	
CR605	-	Same as CR601	CB	
CR606	-	Same as CR601	CB	
CR607	-	Same as CR601	CB	
CR608	4	Diode, silicon, small signal, switching	CB	013-599
CR609	-	Same as CR608	CB	
CR610	-	Same as CR601	CB	
CR611	-	Same as CR601	CB	
CR612	-	Same as CR608	CB	
CR613	-	Same as CR601	CB	
CR614	-	Same as CR608	CB	
CR615	-	Same as CR601	CB	
DS601	1	Lamp, incandescent; 120 volts, .025 amp	CB	060-323
F601	2	Fuse, slo-blo; 3 amps, 125 volts	CB	070-002
F602	-	Same as F601	CB	
J601S	1	Connector, power, 3 contacts, male; flush base, polarized	CB	147-079
J602S	1	Connector, receptacle, 6 sockets, female	CB	146-004
J603S	4	Connector, receptacle, 8 sockets, female	CB	146-003
J604S	-	Same as J603S	CB	
J605S	1	Connector, receptacle, 12 sockets, female	CB	146-009
J606S	-	Same as J603S	CB	
J607S	-	Same as J603S	CB	
K601	4	Relay, armature, 4P2T; 24 volts, 650 ohms; with nylon dust cover	CB	020-144
K602	-	Same as K601	CB	
K603	-	Same as K601	CB	
K604	-	Same as K601	CB	
K605	4	Solenoid, takeup, main brake (see Fig. 6-12)	T	4590067-10
K606	-	Same as K605 (takeup edit brake) (see Fig. 6-12)	T	
K607	-	Same as K605 (supply main brake) (see Fig. 6-12)	T	
K608	-	Same as K605 (supply edit brake) (see Fig. 6-12)	T	
K609	1	Solenoid, assembly, tape lifter (see Figs. 6-6 and 6-7)	T	4030273
K610	1	Solenoid, assembly, capstan idler (see Figs. 6-6 and 6-7)	T	4030272
P601P		Not used		
P602P	1	Connector, plug, 6 pins, male (drive motor -- see Fig. 6-14)	T	145-012

ELECTRONIC COMPONENTS, TAPE TRANSPORT
(cont.)

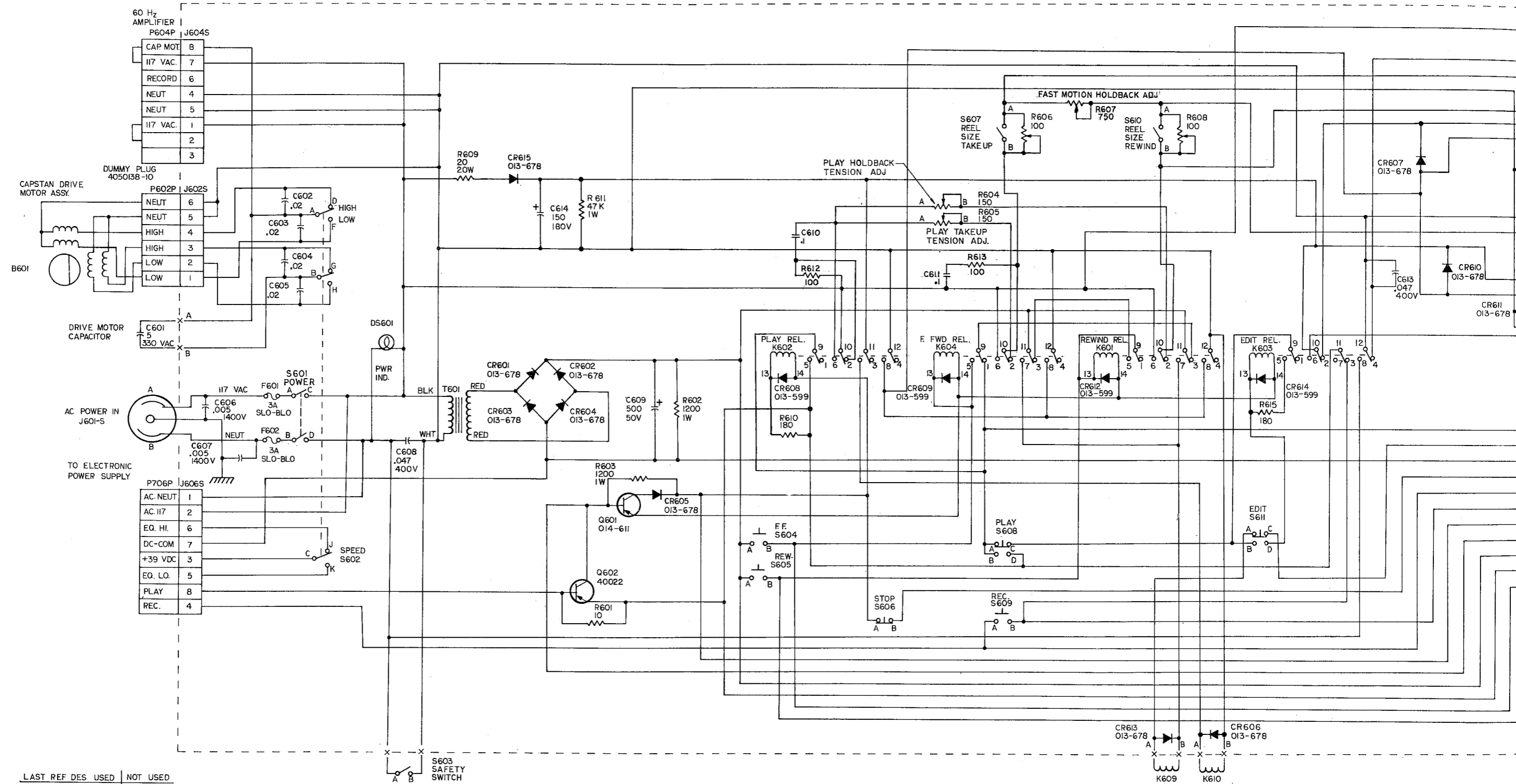
Ref. No.	Qty	DESCRIPTION	LOCATION	Ampex Part No.
P603P	2	Connector, plug, 8 pins, male (takeup motor--see Fig. 6-10)	T	145-013
P604P	1	Dummy Plug, motor drive amplifier	CB	4050138-10
P605P	1	Dummy Plug, remote control	CB	4050444-01
P606P	-	Not used		
P607P	-	Same as P603P (rewind motor -- see Fig. 6-11)	T	
Q601	1	Transistor, silicon, pnp, 300 mw	CB	014-611
Q602	1	Transistor, Germanium, power, pnp; 40022	CB	014-728
R601	1	Resistor, fixed, comp; 10 ohms, ±10%, 1/2w; RC20GF100K	CB	041-032
R602	2	Resistor, fixed, comp; 1,200 ohms, ±10%, 1w; RC32GF122K	CB	041-147
R603	-	Same as R602	CB	
R604	2	Resistor, wirewound, adjustable; 150 ohms, ±10%, 55w	CB	059-014
R605	-	Same as R604	CB	
R606	2	Resistor, wirewound, adjustable; 100 ohms, ±10%, 55w	CB	059-015
R607	1	Resistor, wirewound, adjustable; 750 ohms, ±10%, 55w	CB	059-013
R608	-	Same as R606	CB	
R609	1	Resistor, wirewound, fixed; 20 ohms, ±5%, 20w	CB	059-056
R610				
R611				
R612	3	Resistor, fixed, comp; 100 ohms, ±10%, 1/2w; RC20GF101K	CB	041-038
R613	-	Same as R612	CB	
R614	-	Same as R612	CB	
R615			CB	
S601	1	Switch, power, toggle; DPST, 2 position	CB	4620199-01
S602	1	Switch, speed, toggle; 3PDT, 2 position (on-on)	CB	4620053-01
S603	1	Switch, safety, assembly; (switch only, Part No. 4620145-01)	CB	4050436-01
S604	2	Switch, fast forward, pushbutton; normally open	CB	4620144-10
S605	-	Same as S604, (rewind pushbutton)	CB	
S606	1	Switch, stop, pushbutton; normally closed	CB	4620144-20
S607	2	Switch, reel, takeup; toggle; SPST	CB	4620200-01
S608	2	Switch, play, pushbutton; 2 circuit	CB	4620064-01
S609	1	Switch, record, pushbutton; normally open	CB	4620144-30
S610	-	Same as S607; (rewind pushbutton)	CB	
S611	-	Same as S608; (edit pushbutton)	CB	
T601	1	Transformer, power	CB	4580198-01

LOCATION GUIDE: T (TRANSPORT)
CB (CONTROL BOX)



NOTES: UNLESS OTHERWISE SPECIFIED.
 1. ALL RESISTOR VALUES ARE IN OHMS, 1/2 W, 10%.
 2. ALL CAPACITOR VALUES ARE IN MICROFARADS.

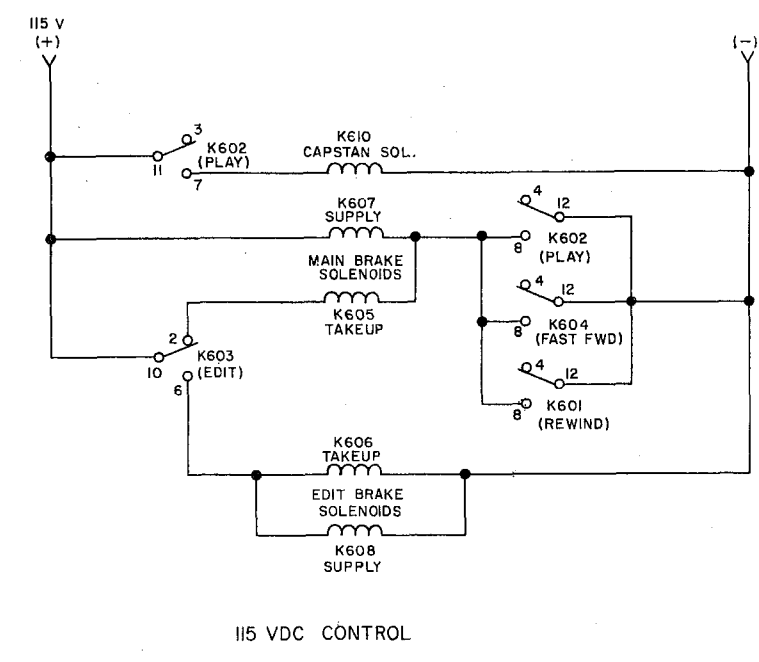
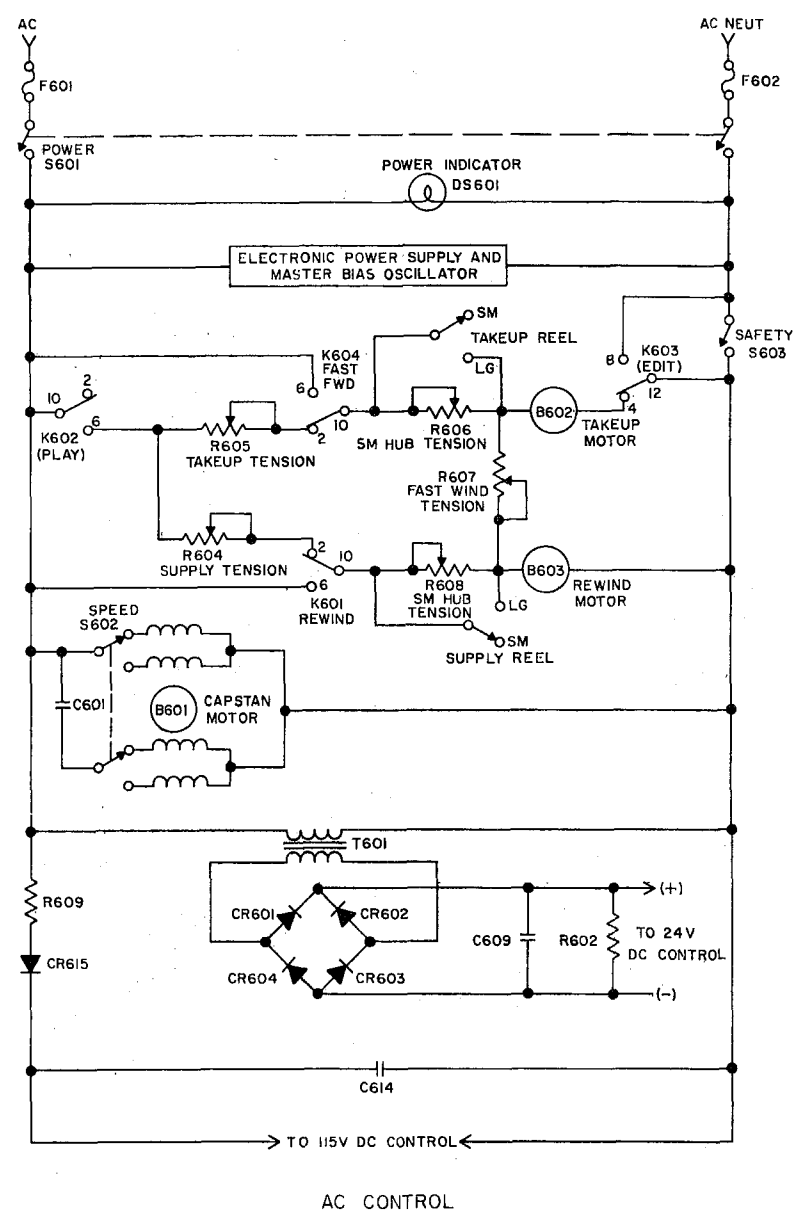
Fig. 6-20. Tape Transport Schematic



LAST REF DES USED	NOT USED
R615	
C614	
Q602	
F602	
CR615	
T601	
DS601	
J607S	
P607P	
K610	
S611	
B603	
	P601P

NOTES: UNLESS OTHERWISE SPECIFIED.
 1. ALL RESISTOR VALUES ARE IN OHMS, 1/2 W, 10%.
 2. ALL CAPACITOR VALUES ARE IN MICROFARADS.

Fig.



- RELAYS**
 K601 REWIND
 K602 PLAY
 K603 EDIT
 K604 FAST FWD
 K1 RECORD (ELECTRONICS)
- SOLENOIDS**
 K605 MAIN BRAKE, TAKEUP
 K606 EDIT BRAKE, TAKEUP
 K607 MAIN BRAKE, SUPPLY
 K608 EDIT BRAKE, SUPPLY
 K609 TAPE LIFTER
 K610 CAPSTAN

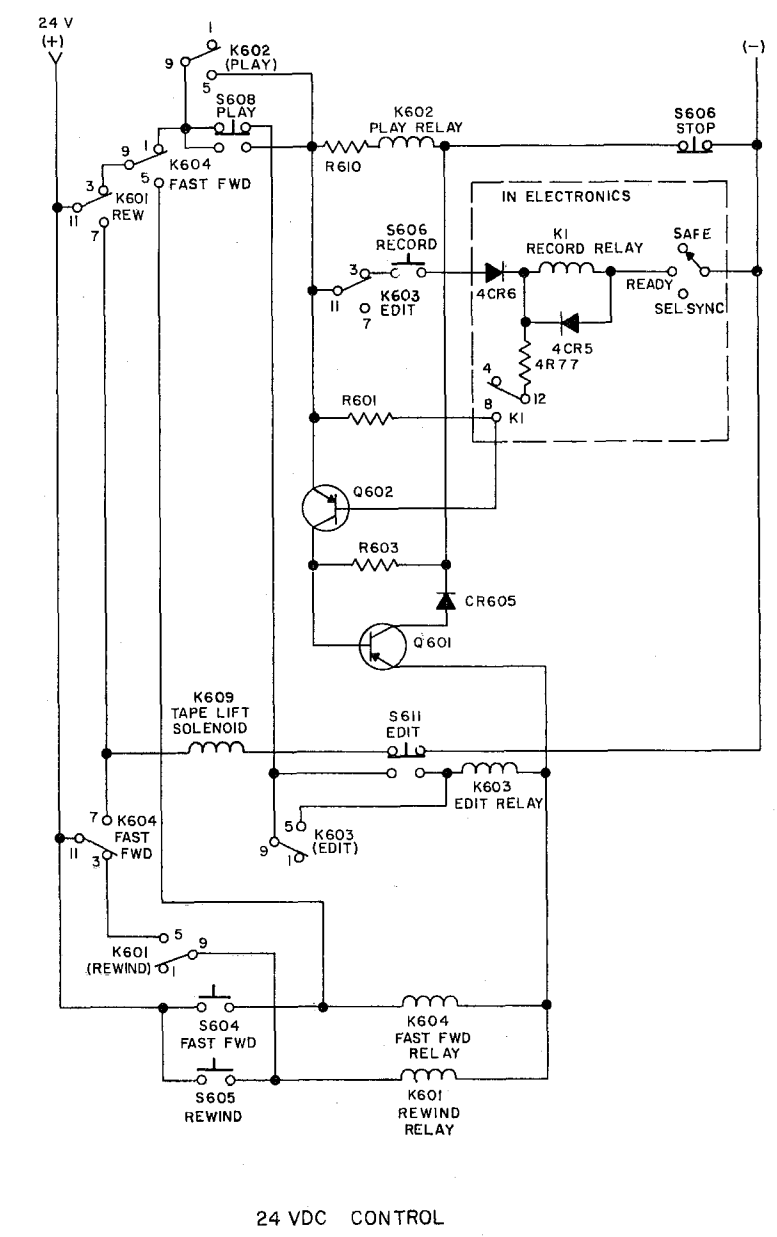
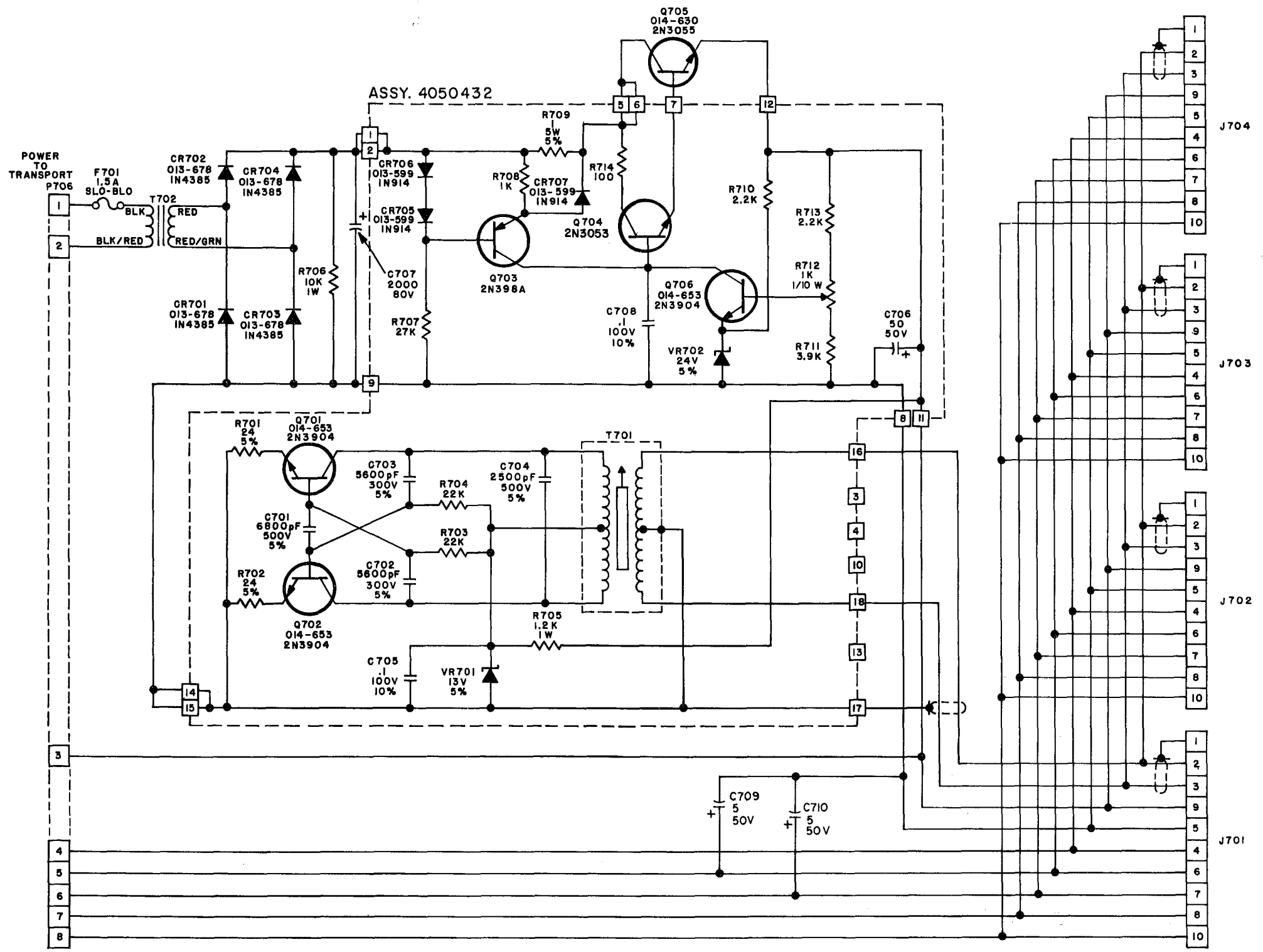


Fig. 6-21. Tape Transport Schematic, Simplified

RECORD/REPRODUCE
POWER SUPPLY ASSEMBLY
CATALOG NO. 4020274-01
(see Fig. 6-22)

Ref. No.	Qty	DESCRIPTION	Ampex Part No.
C701	1	Capacitor, mica; 6800 pfd, $\pm 5\%$, 500 vdcw	056-108
C702	2	Capacitor, mica; 5600 pfd, $\pm 5\%$, 300 vdcw	034-507
C703	-	Same as C702	
C704	1	Capacitor, mica; 2500 pfd, $\pm 5\%$, 500 vdcw	034-994
C705	2	Capacitor, mylar; 0.1 mfd, $\pm 10\%$, 100 vdcw	055-106
C706	1	Capacitor, electrolytic; 50 mfd, $-10+75\%$, 50 vdcw	031-187
C707	1	Capacitor, electrolytic; 2000 mfd, $-10+250\%$, 80 vdcw	* 4550147-03
C708	-	Same as C705	
C709	2	Capacitor, electrolytic; 5 mfd, $-10+75\%$, 50 vdcw	031-205
C710	-	Same as C709	
CR701	4	Diode, silicon, large signal rectifier	* 013-678
CR702	-	Same as CR701	*
CR703	-	Same as CR701	*
CR704	-	Same as CR701	*
CR705	3	Diode, silicon, small signal switching	013-599
CR706	-	Same as CR705	
CR707	-	Same as CR705	
F701	1	Fuse, slo-blo; 1.5 amp, 125v	* 070-075
J701	4	Connector, receptacle; 10 sockets, female	* 146-018
J702	-	Same as J701	*
J703	-	Same as J701	*
J704	-	Same as J701	*
P706	1	Connector, plug; 8 pins, male	* 145-013
Q701	3	Transistor, silicon	014-653
Q702	-	Same as Q701	
Q703	1	Transistor, Germanium, 2N398A	014-704
Q704	1	Transistor, silicon; 2N3053	014-590
Q705	1	Transistor, silicon, power	014-630
Q706	-	Same as Q701	
R701	2	Resistor, fixed, comp; 24 ohms, $\pm 5\%$, 1/2w; RC20GF240J	041-533
R702	-	Same as R701	
R703	2	Resistor, fixed, comp; 22,000 ohms, $\pm 10\%$, 1/2w; RC20GF223K	041-064
R704	-	Same as R703	
R705	1	Resistor, fixed, comp; 1,200 ohms, $\pm 10\%$, 1w; RC32GF122K	041-147
R706	1	Resistor, fixed, comp; 10,000 ohms, $\pm 10\%$, 1w; RC32GF103K	* 041-158
R707	1	Resistor, fixed, comp; 27,000 ohms, $\pm 10\%$, 1/2w; RC20GF273K	041-065
R708	1	Resistor, fixed, comp; 1,000 ohms, $\pm 10\%$, 1/2w; RC20GF102K	041-048
R709	1	Resistor, fixed, wirewound; 1 ohm, $\pm 5\%$, 5w	059-016
R710	2	Resistor, fixed, comp; 2,200 ohms, $\pm 10\%$, 1/2w; RC20GF222K	041-052
R711	1	Resistor, fixed, comp; 3,900 ohms, $\pm 10\%$, 1/2w; RC20GF392K	041-055
R712	1	Resistor, variable, comp; 1,000 ohms, $\pm 30\%$, 1/10w	044-370
R713	-	Same as R710	
R714	1	Resistor, fixed, comp; 100 ohms, $\pm 10\%$, 1/2w; RC20GF101K	041-038
T701	1	Coil, bias oscillator	4580123-01
T702	1	Transformer, power supply	* 4580156-01
VR701	1	Diode, silicon, zener; 13 volt, $\pm 5\%$	013-747
VR702	1	Diode, silicon, zener; 24 volt, $\pm 5\%$	013-712
	2	Card Guide	530-102
	1	Fuse holder, short body	085-001
	1	Kit, transistor mounting (for Q705)	014-630
	2	Pad, transistor (for Q703, Q704)	280-131

NOTE: All items except those marked * are on
printed circuit board



NOTES:
 UNLESS OTHERWISE SPECIFIED
 1. ALL CAPACITOR VALUES ARE IN MICROFARADS, RATINGS AS INDICATED.
 2. ALL RESISTORS VALUES ARE IN OHMS, 1/2 WATT, 10%.

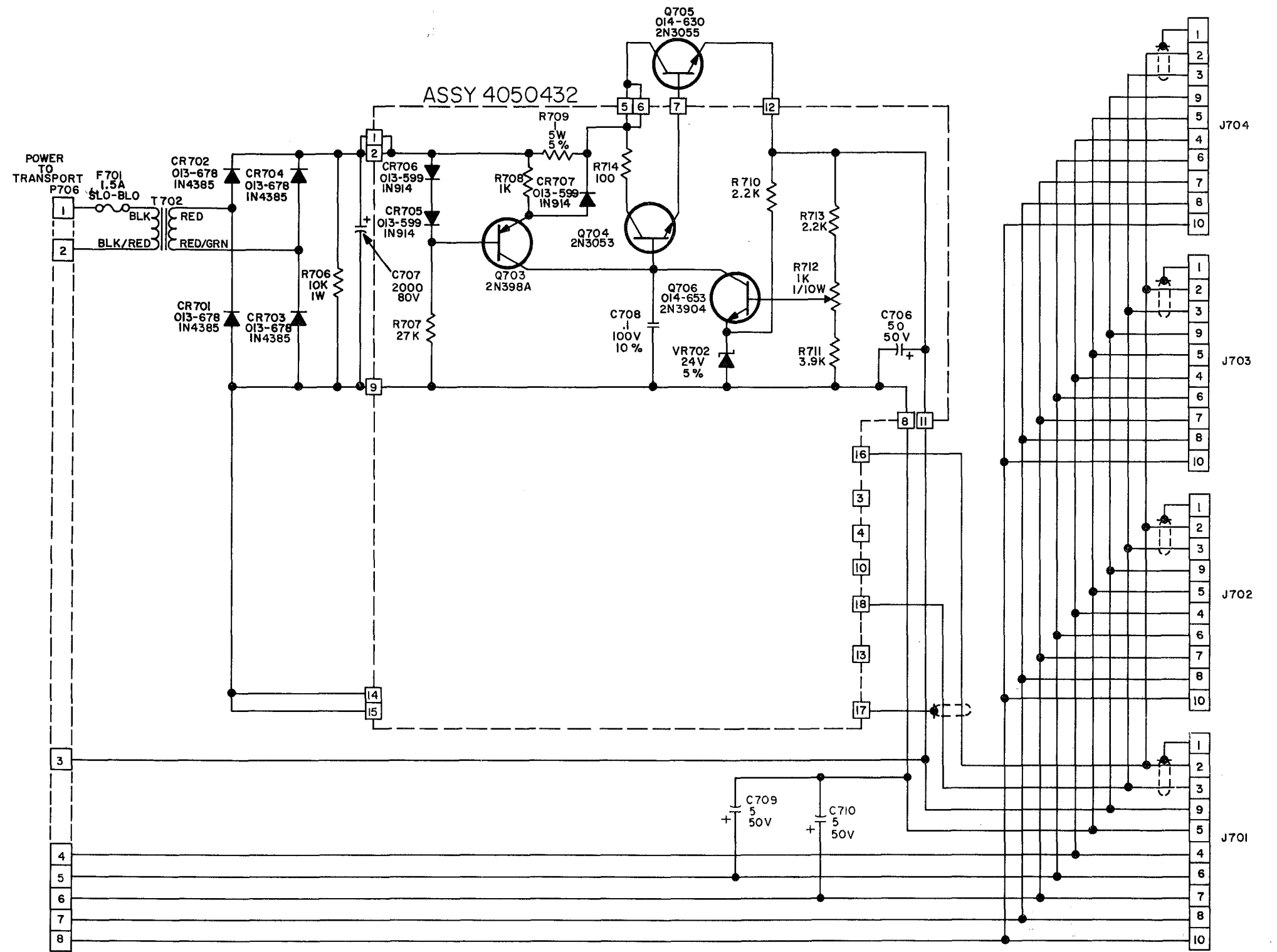
LAST REF. DES. USED	REF. DES. NOT USED
C710	
CR707	
Q706	
VR702	
T702	
R714	

Fig. 6-22. Power Supply Schematic, Record/Reproduce

REPRODUCE-ONLY
POWER SUPPLY ASSEMBLY
CATALOG NO. 4020274-02
(see Fig. 6-23)

Ref. No.	Qty.	DESCRIPTION	Ampex Part No.
C706	1	Capacitor, electrolytic; 50 mfd, -10+75%, 50 vdcw	031-187
C707	1	Capacitor, electrolytic; 2000 mfd, -10+250%, 80 vdcw	* 4550147-03
C708	1	Capacitor, mylar; 0.1 mfd, ±10%, 100 vdcw	055-106
C709	2	Capacitor, electrolytic; 5 mfd, -10+75%, 50 vdcw	031-205
C710	-	Same as C709	
CR701	4	Diode, silicon, large signal rectifier	* 013-678
CR702	-	Same as CR701	*
CR703	-	Same as CR701	*
CR704	-	Same as CR701	*
CR705	3	Diode, silicon, small signal switching	013-599
CR706	-	Same as CR705	
CR707	-	Same as CR705	
F701	1	Fuse, slo-blo; 1.5 amp, 125v	* 070-075
J701	4	Connector, receptacle; 10 sockets, female	* 146-018
J702	-	Same as J701	*
J703	-	Same as J701	*
J704	-	Same as J701	*
P706	1	Connector, plug; 8 pins, male	* 145-013
Q703	1	Transistor, Germanium, 2N398A	014-704
Q704	1	Transistor, silicon; 2N3053	014-590
Q705	1	Transistor, silicon, power	014-630
Q706	1	Transistor, silicon	014-653
R706	1	Resistor, fixed, comp; 10,000 ohms, ±10%, 1w; RC32GF103K	* 041-158
R707	1	Resistor, fixed, comp; 27,000 ohms, ±10%, 1/2w; RC20GF273K	041-065
R708	1	Resistor, fixed, comp; 1,000 ohms, ±10%, 1/2w; RC20GF102K	041-048
R709	1	Resistor, fixed, wirewound; 1 ohm, ±5%, 5w	059-016
R710	2	Resistor, fixed, comp; 2,200 ohms, ±10%, 1/2w; RC20GF222K	041-052
R711	1	Resistor, fixed, comp; 3,900 ohms, ±10%, 1/2w; RC20GF392K	041-055
R712	1	Resistor, variable, comp; 1,000 ohms, ±30%, 1/10w	044-370
R713	-	Same as R710	
R714	1	Resistor, fixed, comp; 100 ohms, ±10%, 1/2w; RC20GF101K	041-038
T702	1	Transformer, power supply	* 4580156-01
VR702	1	Diode, silicon, zener; 24 volt, ±5%	013-712
	2	Card Guide	530-102
	1	Fuse holder, short body	085-001
	1	Kit, transistor mounting (for Q705)	014-630
	2	Pad, transistor (for Q703, Q704)	280-131

NOTE: ALL ITEMS EXCEPT THOSE MARKED * ARE
ON PRINTED CIRCUIT BOARD



NOTES:
 1. UNLESS OTHERWISE SPECIFIED
 ALL CAPACITOR VALUES ARE IN MICROFARADS, RATINGS AS INDICATED.
 ALL RESISTOR VALUES ARE IN OHMS, 1/2WATT, 10%

LAST REF. DES. USED	REF. DES. NOT USED
C710	C701 TO C705
CR707	Q701,702
Q706	VR701
VR702	T701
T702	R701 TO R705
R714	

Fig. 6-23. Power Supply Schematic, Reproduce-only

RECORD AND REPRODUCE EQUALIZER
ASSEMBLIES

Ref.	01	02	03	DESCRIPTION	Ampex Part No.
				RECORD EQUALIZERS (see Fig. 6-24)	
	X			Record Equalizer, assembly, 7 1/2 and 15 ips, NAB	4020269-01
		X		Record Equalizer Assembly, 3 3/4 and 7 1/2 ips, NAB	4020269-02
			X	Record Equalizer Assembly, 7 1/2 and 15 ips, CCIR (optional accessory)	4020269-03
C52	1	1	1	Capacitor, tantalum; 3.9 mfd, ±20%, 25 vdcw	037-445
C53	1	-	1	Capacitor, trimmer; 170 pfd to 780 pfd, 9 plates, 350 vdcw	4540314-03
C53	-	1	-	Capacitor, trimmer; 300 pfd to 1200 pfd, 13 plates, 350 vdcw	4540314-04
C54	1	-	1	Capacitor, trimmer; 50 pfd to 380 pfd, 5 plates, 350 vdcw	4540314-02
C54	-	1	-	Capacitor, trimmer; 170 to 780 pfd, 9 plates, 350 vdcw	4540314-03
C55	-	-	2	Capacitor, tantalum; 3.9 mfd, ±20%, 25 vdcw	037-445
C56	-	-	X	Same as C55	
C57	1	-	-	Capacitor, mylar; .0022 mfd, ±10%, 50 vdcw	055-164
R108	1	1	1	Resistor, variable, potentiometer; audio taper; 100,000 ohms, ±30%, 0.2w	4520153-01
R109	1	-	-	Resistor, fixed, comp; 18,000 ohms, ±5%, 1/4w; RC07GF183J	041-436

Ref.	01	02	03	DESCRIPTION	Ampex Part No.
				REPRODUCE EQUALIZER (see Figs. 6-24 and 6-25)	
				Reproduce Equalizer, assembly, all speeds, NAB or CCIR	4020270-01
C50	2			Capacitor, mylar; .0047 mfd, ±5%, 50vdcw	055-222
C51	-			Same as C50	
R101	1			Resistor, fixed, comp; 2,200 ohms, ±10%, 1/8w	049-527
R102	2			Resistor, variable, potentiometer; 2.5 meg ohms, ±30%, 1/8w, linear taper	4520152-02
R103	2			Resistor, fixed, comp; 220,000 ohms, ±10%, 1/8w	049-528
R104	2			Resistor, variable, potentiometer; 50,000 ohms, ±30%, 1/8w, audio taper	4520152-01
R105	-			Same as R104	
R106	-			Same as R103	
R107	-			Same as R102	

RECORD/REPRODUCE ELECTRONIC ASSEMBLY
(without equalizers)
CATALOG NO. 4020260-01
(see Fig. 6-24)

Ref. No.	Qty	DESCRIPTION	Loc.(Item)	Fig.No.	Ampex Part No.
	1	Reproduce Amplifier, printed circuit board, assembly	1		4050435-01
C1	2	Capacitor, tantalum; 47 mfd, ±20%, 6 vdcw			037-494
C2	6	Capacitor, tantalum; 3.9 mfd, ±20%, 25 vdcw			037-445
C3	-	Same as C2			
C4	2	Capacitor, mica; 47 pfd, ±5%, 500 vdcw			034-181
C5	-	Same as C1			
C6	2	Capacitor, tantalum; 15 mfd, ±20%, 15 vdcw			037-446
C7	-	Same as C2			
C8	1	Capacitor, electrolytic; 50 mfd, -10+75%, 50 vdcw			031-187
C10	-	Same as C4			
C11	-	Same as C2			
C12	-	Same as C2			
C13	1	Capacitor, electrolytic; 50 mfd, -10+75%, 25 vdcw			031-190
C14	-	Same as C6			
C17	-	Same as C2			
CR1	3	Diode, silicon, small signal switching			013-599
CR2	-	Same as CR1			
CR7	-	Same as CR1			
J2	1	Connector, assembly, 10 contact (for equalizer board)			4030270-02
Q1	2	Transistor, silicon; low noise, low level			014-698
Q2	-	Same as Q1			
Q3	2	Transistor, silicon; low noise			014-784
Q4	-	Same as Q3			
Q5	1	Transistor, silicon			014-652
Q6	1	Transistor, silicon, 800 mw			014-247
Q7	1	Transistor, silicon; 2N4037			014-723
Q8	1	Transistor, silicon; 2N2102			014-329
R1	1	Resistor, fixed, comp; 1,000 ohms, ±10%, 1/2w; RC20GF102K			041-048
R2	2	Resistor, fixed, comp; 39,000 ohms, ±10%, 1/2w; RC20GF393K			041-067
R3	1	Resistor, fixed, comp; 180,000 ohms, ±10%, 1/2w; RC20GF184K			041-075
R4	1	Resistor, fixed, comp; 4,300 ohms, ±5%, 1/2w; RC20GF432J			041-012
R5	2	Resistor, fixed, comp; 15,000 ohms, ±10%, 1/2w; RC20GF153K			041-062
R6	2	Resistor, fixed, comp; 680 ohms, ±10%, 1/2w; RC20GF681K			041-046
R7	3	Resistor, fixed, comp; 100,000 ohms, ±10%, 1/2w; RC20GF104K			041-072
R8	1	Resistor, fixed, comp; 6,800 ohms, ±10%, 1/2w; RC20GF682K			041-058
R9	1	Resistor, fixed, comp; 470,000 ohms, ±10%, 1/2w; RC20GF474K			041-080
R10	1	Resistor, fixed, comp; 3,300 ohms, ±10%, 1/2w; RC20GF332K			041-054
R12	2	Resistor, fixed, comp; 220,000 ohms, ±10%, 1/2w; RC20GF224K			041-076
R13	-	Same as R12			
R14	2	Resistor, fixed, comp; 12,000 ohms, ±10%, 1/2w; RC20GF123K			041-061
R15	-	Same as R14			
R18	1	Resistor, fixed, comp; 560,000 ohms, ±10%, 1/2w; RC20GF564K			041-081
R21	-	Same as R2			
R22	1	Resistor, fixed, comp; 56,000 ohms, ±10%, 1/2w; RC20GF563K			041-069
R23	-	Same as R7			
R24	1	Resistor, fixed, comp; 4,700 ohms, ±10%, 1/2w; RC20GF472K			041-056
R25	-	Same as R5			
R26	1	Resistor, fixed, comp; 510 ohms, ±5%, 1/2w; RC20GF511J			041-404
R27	1	Resistor, fixed, comp; 240 ohms, ±5%, 1/2w; RC20GF241J			041-473
R28	-	Same as R6			
R29	1	Resistor, fixed, comp; 2,000 ohms, ±5%, 1/2w; RC20GF202J			041-010
R30	2	Resistor, fixed, comp; 10 ohms, ±10%, 1/2w; RC20GF100K			041-032
R31	-	Same as R30			
R38	-	Same as R7			

RECORD/REPRODUCE ELECTRONIC ASSEMBLY
(cont.)

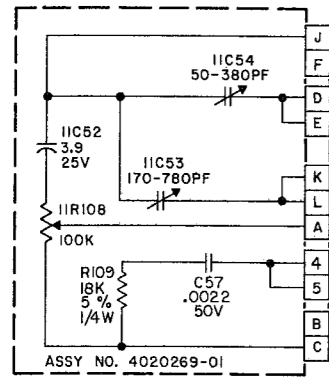
Ref. No.	Qty	DESCRIPTION	Loc. (Item)	Fig. No.	Ampex Part No.
T1	1	Transformer, input			4580199-01
	1	Front plate, reproduce			4330263-01
	2	Heat sink, transistor (for Q7 and Q8)			014-706
	2	Pad, transistor (for Q1 and Q2)			280-130
	3	Pad, transistor (for Q6, Q7, and Q8)			280-131
	1	Record Amplifier, printed circuit board, assembly	2		4050434-01
C24	2	Capacitor, mylar; 0.1 mfd, ±10%, 100 vdcw			055-106
C25	2	Capacitor, tantalum; 0.68 mfd, ±5%, 25 vdcw			037-495
C26	3	Capacitor, tantalum; 47 mfd, ±20%, 6 vdcw			037-494
C27	-	Same as C25			
C28	1	Capacitor, electrolytic; 10 mfd, -10+75%, 25 vdcw			031-148
C29	-	Same as C26			
C30	-	Same as C24			
C31	-	Same as C26			
C32	1	Capacitor, tantalum; 15 mfd, ±20%, 15 vdcw			037-446
J9	1	Connector, assembly, 9 pin (for equalizer board)			4030270-01
Q9	5	Transistor, silicon; low noise, low level			014-698
Q10	-	Same as Q9			
Q11	-	Same as Q9			
Q12	-	Same as Q9			
Q13	-	Same as Q9			
Q14	2	Transistor, silicon, 800 mw			014-247
Q15	-	Same as Q14			
R47	1	Resistor, fixed, comp; 1.3 meg ohms, ±5%, 1/2w; RC20GF135J			041-377
R48	1	Resistor, fixed, comp; 1.1 meg ohms, ±5%, 1/2w; RC20GF115J			041-898
R49	2	Resistor, fixed, comp; 22,000 ohms, ±10%, 1/2w; RC20GF223K			041-064
R50	2	Resistor, fixed, comp; 100 ohms, ±10%, 1/2w; RC20GF101K			041-038
R51	2	Resistor, fixed, comp; 110,000 ohms, ±5%, 1/2w; RC20GF114J			041-024
R52	-	Same as R51			
R53	2	Resistor, fixed, comp; 39,000 ohms, ±10%, 1/2w; FC20GF393K			041-067
R54	2	Resistor, fixed, comp; 7,500 ohms, ±5%, 1/2w; RC20GF752J			041-361
R55	2	Resistor, fixed, comp; 10,000 ohms, ±10%, 1/2w			041-060
R56	2	Resistor, fixed, comp; 4,300 ohms, ±5%, 1/2w; RC20GF432J			041-012
R57	2	Resistor, fixed, comp; 100,000 ohms, ±10%, 1/2w; RC20GF104K			041-072
R58	-	Same as R53			
R59	-	Same as R54			
R60	-	Same as R55			
R61	-	Same as R56			
R62	1	Resistor, fixed, comp; 68,000 ohms, ±10%, 1/2w; RC20GF683K			041-070
R63	-	Same as R49			
R64	-	Same as R57			
R65	1	Resistor, fixed, comp; 56,000 ohms, ±10%, 1/2w; RC20GF563K			041-069
R66	1	Resistor, fixed, comp; 3,300 ohms, ±10%, 1/2w; RC20GF332K			041-054
R67	1	Resistor, fixed, comp; 470,000 ohms, ±10%, 1/2w; RC20GF474K			041-078
R68	1	Resistor, fixed, comp; 330,000 ohms, ±10%, 1/2w; RC20GF334K			041-080
R69	1	Resistor, fixed, comp; 47,000 ohms, ±10%, 1/2w; RC20GF473K			041-068
R70	1	Resistor, fixed, comp; 680,000 ohms, ±10%, 1/2w; RC20GF684K			041-082
R71	1	Resistor, fixed, comp; 150 ohms, ±10%, 1/2w; RC20GF151K			041-241
R72	-	Same as R50			
	1	Front Plate, record			4330262-01
	5	Pad, transistor (for Q9, Q10, Q11, Q12, Q13)			280-130
	2	Pad, transistor (for Q14, Q15)			280-131
	1	Bias Amplifier, printed circuit board, assembly	3		4050433-01
C39	1	Capacitor, mica; 330 pfd, ±5%, 500 vdcw			034-212
C40	1	Capacitor, mica, variable; 780-2110 pfd, 250 vdcw			038-026
C41	2	Capacitor, mylar; 0.1 mfd, ±10%, 100 vdcw			055-106
C42	1	Capacitor, mica; 2500 pfd, ±5%, 500 vdcw			034-994
C43	-	Same as C41			
C44	1	Capacitor, electrolytic; 50 mfd, -10+75%, 25 vdcw			031-130
C45	1	Capacitor, mica; 5000 pfd, ±5%, 300 vdcw			034-960

RECORD/REPRODUCE ELECTRONIC ASSEMBLY
(cont.)

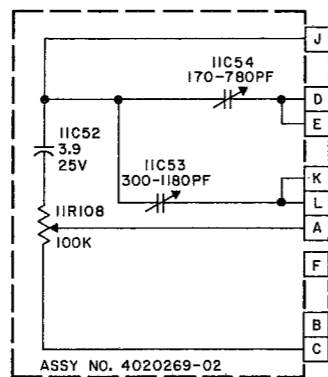
Ref. No.	Qty	DESCRIPTION	Loc. (Item)	Fig. No	Ampex Part No.
Q16	2	Transistor, silicon; 800 mw			014-247
Q17	-	Same as Q16			
Q18	2	Transistor, silicon;			014-653
Q19	-	Same as Q18			
R44	1	Resistor, variable, potentiometer; 750 ohms, linear taper, 0.3w; (Bias Cal.)			4520154-01
R79	1	Resistor, fixed, comp; 7,500 ohms, ±5%, 1w; RC32GF752J			041-108
R80	1	Resistor, variable, potentiometer; 50,000 ohms, linear taper, 1w; (Bias Cal.)			4520155-01
R82	1	Resistor, fixed, wirewound; 180 ohms, ±5%, 5w			059-017
R83	2	Resistor, fixed, comp; 22 ohms, ±10%, 1/2w; RC20GF220K			041-033
R84	2	Resistor, fixed, comp; 3,000 ohms, ±5%, 1/2w; RC20GF302J			041-475
R85	-	Same as R84			
R86	1	Resistor, fixed, comp; 1,600 ohms, ±5%, 1w; RC32GF162J			041-353
R87	-	Same as R83			
R88	2	Resistor, fixed, comp; 20,000 ohms, ±5%, 1/2w; RC20GF203J			041-529
R89	-	Same as R88			
R90	2	Resistor, fixed, comp; 1 meg ohm, ±10%, 1/2w; RC20GF105K			041-031
R91	-	Same as R90			
T3	2	Coil, oscillator			4580123-01
T4	-	Same as T3			
	1	Front Plate, bias			4330261-01
	2	Pad, transistor (for Q16, Q17)			280-131
Components not on printed circuit boards					
C9	1	Capacitor, electrolytic, 4 section; 100, 100, 35, 35 mfd; 50 vdcw	9	(4) 6-29	4550147-05
C15	1	Capacitor, electrolytic; 250 mfd, 25 vdcw (on plug-in receptacle)	5	Not shown	031-457
C16	3	Capacitor, ceramic, disc; .02 mfd, 500 vdcw	5	(10) 6-27	030-001
C18	1	Capacitor, mica, variable; 1400-3055 pfd, 250 vdcw (Sel-Sync Bias Trap)	4	(4) 6-26	038-011
C23	1	Capacitor, electrolytic; 4 mfd, -10+100%, 25 vdcw	4	(4) 6-26	031-309
C33	1	Capacitor, electrolytic, 3 section; 350, 1000, 100 mfd; 35, 25, 25 vdcw	9	(2) 6-29	4550147-06
C34	1	Capacitor, electrolytic; 1500 mfd, -10+250%, 40 vdcw	9	(3) 6-29	4550147-04
C35	1	Capacitor, mica; 220 mfd, ±5%, 300 vdcw	5	(11) 6-27	034-358
C36	-	Same as C16	4	(29) 6-26	
C37	-	Same as C16	4	(29) 6-26	
C38	1	Capacitor, mica; 1500 pfd, ±5%, 500 vdcw	4	(31) 6-26	056-021
CR3	5	Diode, silicon, small signal, switching	9	(5) 6-29	013-599
CR4	-	Same as CR3	9	(5) 6-29	
CR5	-	Same as CR3	4	(30) 6-26	
CR6	-	Same as CR3	4	(30) 6-26	
CR8	-	Same as CR3	9	(5) 6-29	
F1	1	Fuse, slo-blo; 0.5 amp, 125v	4	(7) 6-26	070-026
I1	2	Light, indicator, clear; incandescent, 12v, .17 amp (vu meter)	5	(20) 6-27	060-334
I2	-	Same as I1	5	(20) 6-27	
I3	1	Light, indicator, red; incandescent, 28v, 40 ma (record)	5	(19) 6-27	132-100
I4	1	Light, indicator, amber; incandescent, 28v, 40 ma (ready)	5	(18) 6-27	132-099
J1	1	Connector, receptacle, 3 contact, male; MS3102A10SL-3P (repro. head)	4	(10) 6-26	143-008
J3	1	Connector, assembly, 12 contact, printed circuit board (reproduce board)	5	Not shown	4030269-03
J4	1	Connector, telephone jack, open circuit, 2 conductor (phones jack)	5	(21) 6-27	148-015
J5	1	Connector, receptacle, audio, 3 contacts, male (output)	4	(14) 6-26	147-999
J6	1	Connector, receptacle, 2 contact, male; MS3102A10SL-4P (record head)	4	(11) 6-26	143-008
J7	1	Connector, receptacle, audio, 3 socket, female (input)	4	(13) 6-26	146-998
J8	1	Socket, electron tube, octal (input accessory)	4	(-) 6-26	150-023
J10	1	Connector, assembly, 12 contact, printed circuit board (record board)	5	Not shown	4030269-01
J11	1	Connector, receptacle; 10 pins, male	4	(-) 6-26	147-014
J12	1	Connector, receptacle; 1 contact, male; MS3102A10SL-2P (erase head)	4	(12) 6-26	143-010
J13	1	Connector, assembly, 12 contact, printed circuit board (bias amp. board)	5	Not shown	4030269-02

RECORD/REPRODUCE ELECTRONIC ASSEMBLY
(cont.)

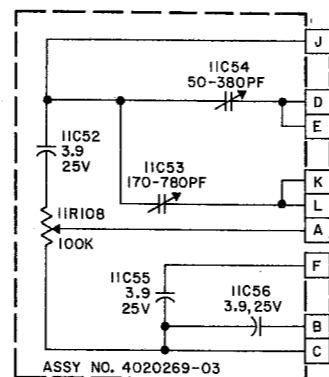
Ref. No.	Qty	DESCRIPTION	Loc. (Item)	Fig. No.	Ampex Part No.
K1	1	Relay, armature, 4P2T; 24 volts, 650 ohms; with nylon dust cover	4	(33) 6-26	020-144
L1	1	Coil, inductor; 330 microhenry, ±5%	4	(6) 6-26	540-030
L2	1	Coil, inductor; 5000 microhenry, ±5%	5	(16) 6-27	051-342
M1	1	Meter, vu	5	(5) 6-27	4140020-01
R11	1	Resistor, variable, comp; 10,000 ohms, ±20%, 2w (reproduce level)	5	(15) 6-27	044-233
R16	2	Resistor, fixed, comp; 15,000 ohms, ±10%, 1/2w; RC20GF153K	9	(7) 6-29	041-062
R17	-	Same as R16	9	(7) 6-29	
R19	2	Resistor, fixed, comp; 10,000 ohms, ±10%, 1/2w; RC20GF103K	9	(6) 6-29	041-060
R20	-	Same as R19	9	(6) 6-29	
R32	1	Resistor, fixed, comp; 220 ohms, ±10%, 1/2w; RC20GF221K	8	(4) 6-28	041-040
R33	1	Resistor, fixed, comp; 680 ohms, ±10%, 1/2w; RC20GF681K	8	(5) 6-28	041-046
R34	1	Resistor, fixed, comp; 9,100 ohms, ±5%, 1/2w; RC20GF912J	8	(7) 6-28	041-373
R35	1	Resistor, fixed, comp; 4,300 ohms, ±5%, 1/2w; RC20GF432J	8	(3) 6-28	041-012
R36	1	Resistor, fixed, comp; 2,400 ohms, ±5%, 1/2w; RC20GF242J	8	(6) 6-28	041-316
R37	1	Resistor, fixed, comp; 6,200 ohms, ±5%, 1/2w; RC20GF622J (on vu meter)	5	Not shown	041-455
R43	1	Resistor, variable, potentiometer; 5,000 ohms, linear taper, 0.3w (Sel-Sync gain)	4	(2) 6-26	4520154-02
R45	1	Resistor, fixed, comp; 27,000 ohms, ±10%, 1/2w; RC20GF273K	4	(5) 6-26	041-065
R46	1	Resistor, variable, comp; 100,000 ohms, ±10%, 2w; (record level)	5	(14) 6-27	044-015
R73	1	Resistor, fixed, comp; 750 ohms, ±5%, 1w; RC32GF751J	9	(8) 6-29	041-833
R74	1	Resistor, fixed, wirewound; 100 ohms, ±5%, 5w	5	(13) 6-27	043-273
R75	2	Resistor, fixed, comp; 560 ohms, ±10%, 2w; RC42GF561K	5	(12) 6-27	041-200
R76	-	Same as R75	5	(12) 6-27	
R77	1	Resistor, fixed, comp; 180 ohms, ±10%, 1/2w; RC20GF181K	4	(32) 6-26	041-257
R78	1	Resistor, fixed, comp; 4,700 ohms, ±10%, 1/2w; RC20GF472K	9	(10) 6-29	041-056
S1	1	Switch, rotary, selector (record selector)	5	(7) 6-27	4620049-01
S2	1	Switch, lever, selector (output selector)	5	(8) 6-27	4620198-01
S3	1	Switch, rotary; SPDT, non-shorting (line termination)	4	(9) 6-26	122-016
T2	1	Transformer, output	8	(2) 6-28	4580193-01
	6	Card Guides		Not shown	530-102
	2	Clip, lamp holder	5	(24) 6-27	435-069
	1	Knob, black, with pointer (line termination switch)	4	(17) 6-26	230-008
	1	Knob, key tab (output selector switch)	5	(2) 6-27	4100102-02
	1	Knob, assembly, black, indexed (reproduce level)	5	(3) 6-27	4100105-02
	1	Knob, assembly, red cap, indexed (record level)	5	(4) 6-27	4100105-32
	1	Knob, pointer, (record selector)	5	(9) 6-27	6000005-20
	2	Knob, lock (for record and reproduce level)	5	(23) 6-27	230-071
	4	Socket, lights	5	(17) 6-27	132-098
	1	Socket, relay	4	(15) 6-26	150-119
	1	Spring, relay hold down	4	(34) 6-26	020-492
	1	Plug, dummy, accessory socket		Not shown	4030034-30



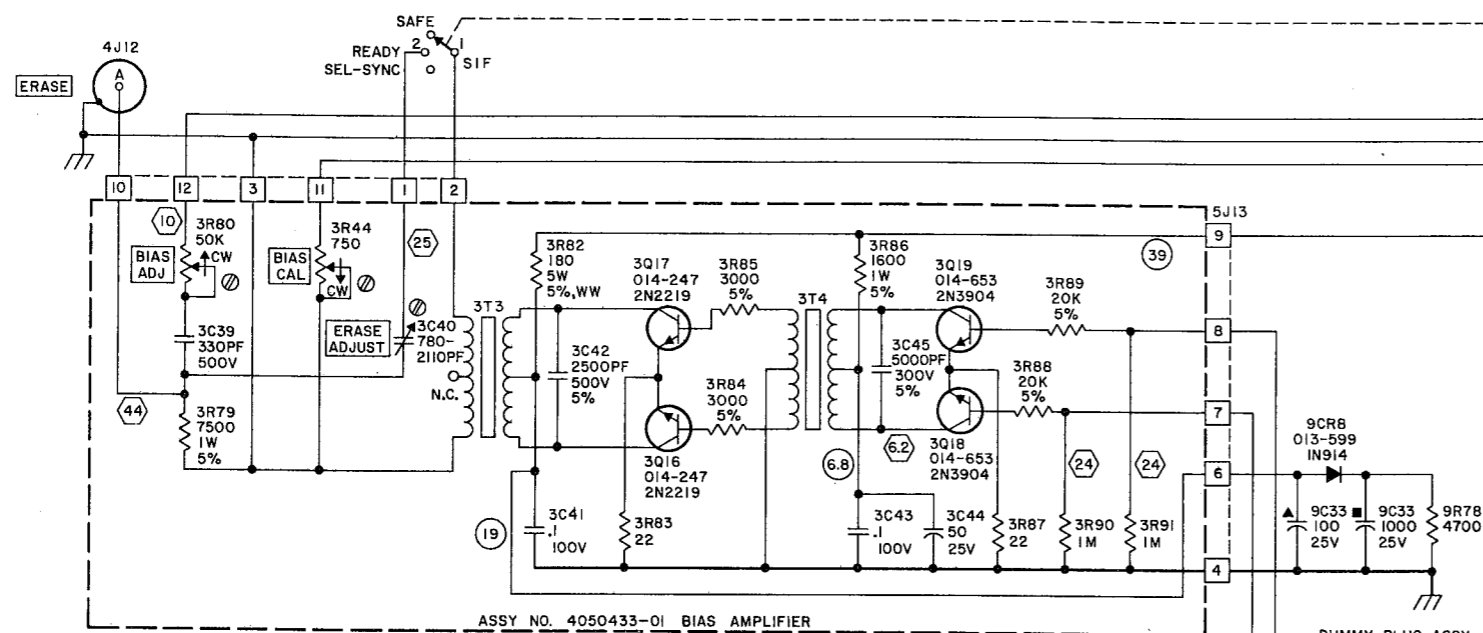
7-1/2-15 IPS NAB
RECORD EQUALIZER



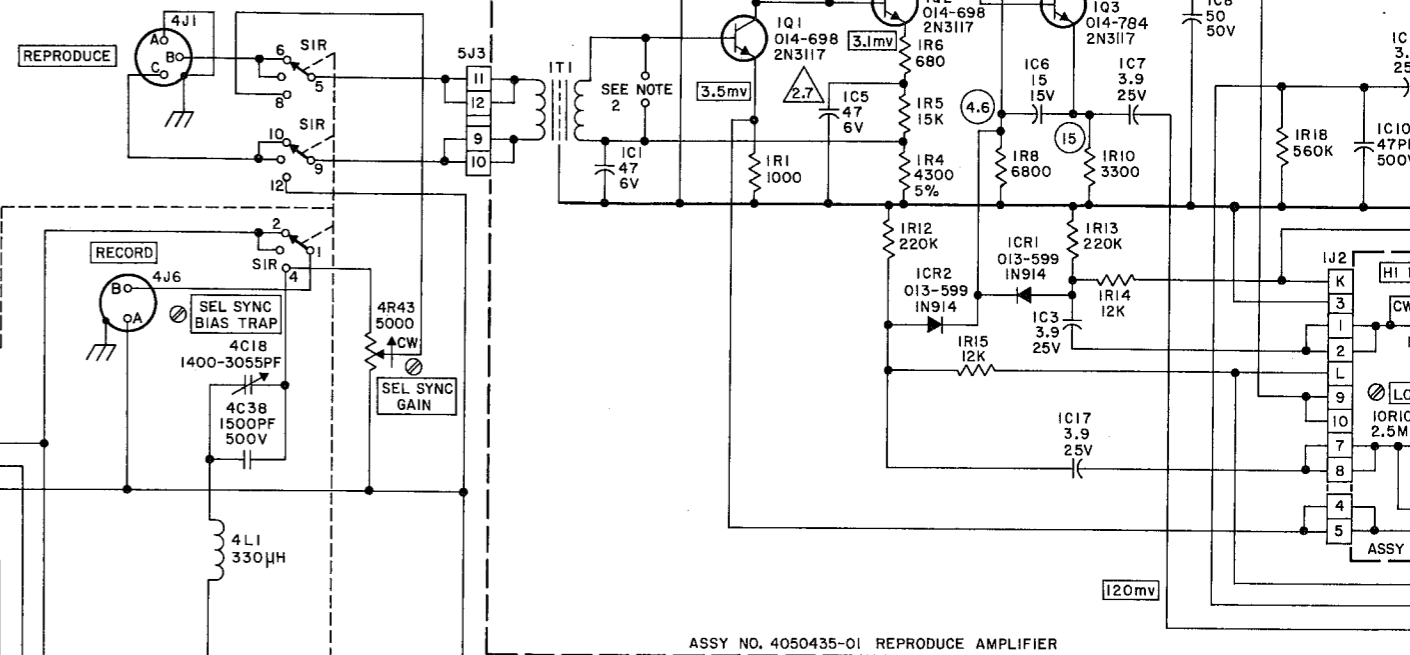
3-3/4-7-1/2 IPS NAB
RECORD EQUALIZER



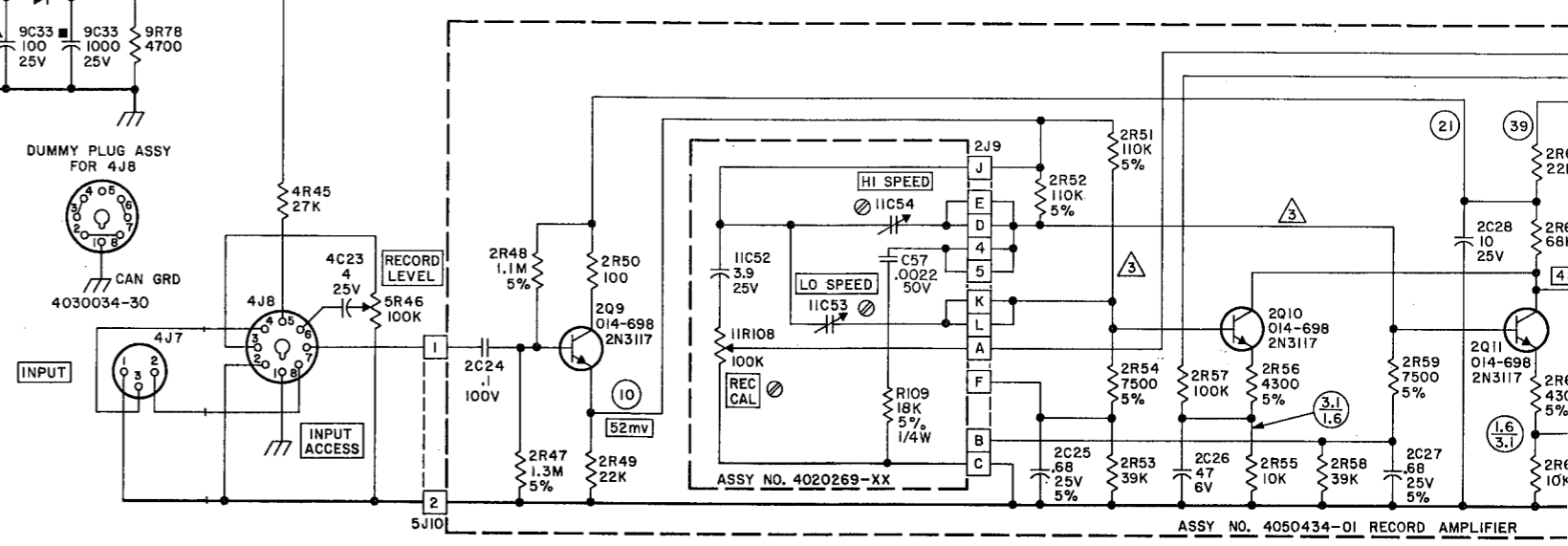
7-1/2-15 IPS CCIR
RECORD EQUALIZER



ASSY NO. 4050433-01 BIAS AMPLIFIER



ASSY NO. 4050435-01 REPRODUCE AMPLIFIER



ASSY NO. 4050434-01 RECORD AMPLIFIER

NOTES

1. UNLESS OTHERWISE NOTED
ALL RESISTORS ARE 1/2W, 10%
ALL CAPACITOR VALUES ARE IN MFD AT INDICATED VOLTAGE
2. PROVISION IS MADE TO PAD HEAD OUTPUT AT HIGH FREQUENCIES
3. CAPACITOR SYMBOLS WITH CURVED PLATE INDICATES POLARITY SENSITIVE PART
4. REPRODUCE EQUALIZER 4020270-01 CAN BE ADJUSTED TO NAB AND/OR CCIR
5. SHIELD DESIGNATIONS OMITTED TO PRESERVE DRAWING CLARITY
6. ○ INDICATES VOLTS DC MEASURED WITH A 20,000 Ω/V METER
△ INDICATES VOLTS DC MEASURED WITH A HIGH IMPEDANCE VTVM
□ INDICATES VOLTS RMS MEASURED WITH A HIGH IMPEDANCE VTVM AT OPERATING LEVEL OF 1000Hz
◇ INDICATES VOLTS RMS MEASURED WITH A HIGH IMPEDANCE VTVM AT BIAS FREQUENCY

REFERENCE DESIGNATOR CODE

1. REPRODUCE BOARD
2. RECORD BOARD
3. ERASE BOARD
4. BACK PANEL
5. FRONT PANEL
6. TRANSPORT
7. POWER SUPPLY
8. RIGHT PANEL (FROM FRONT)
9. LEFT PANEL (FROM FRONT)
10. REPRODUCE EQUALIZER
11. RECORD EQUALIZER

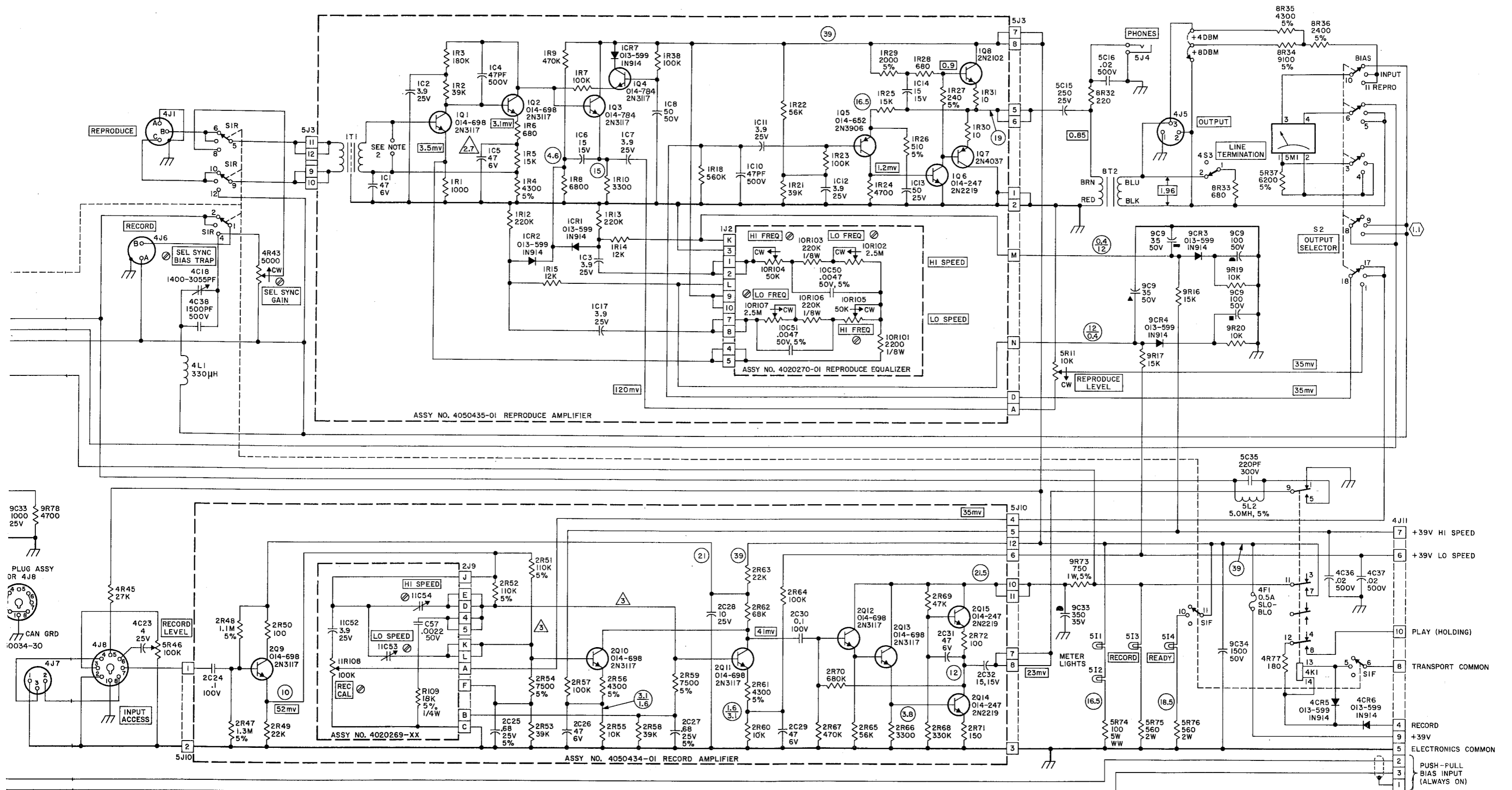
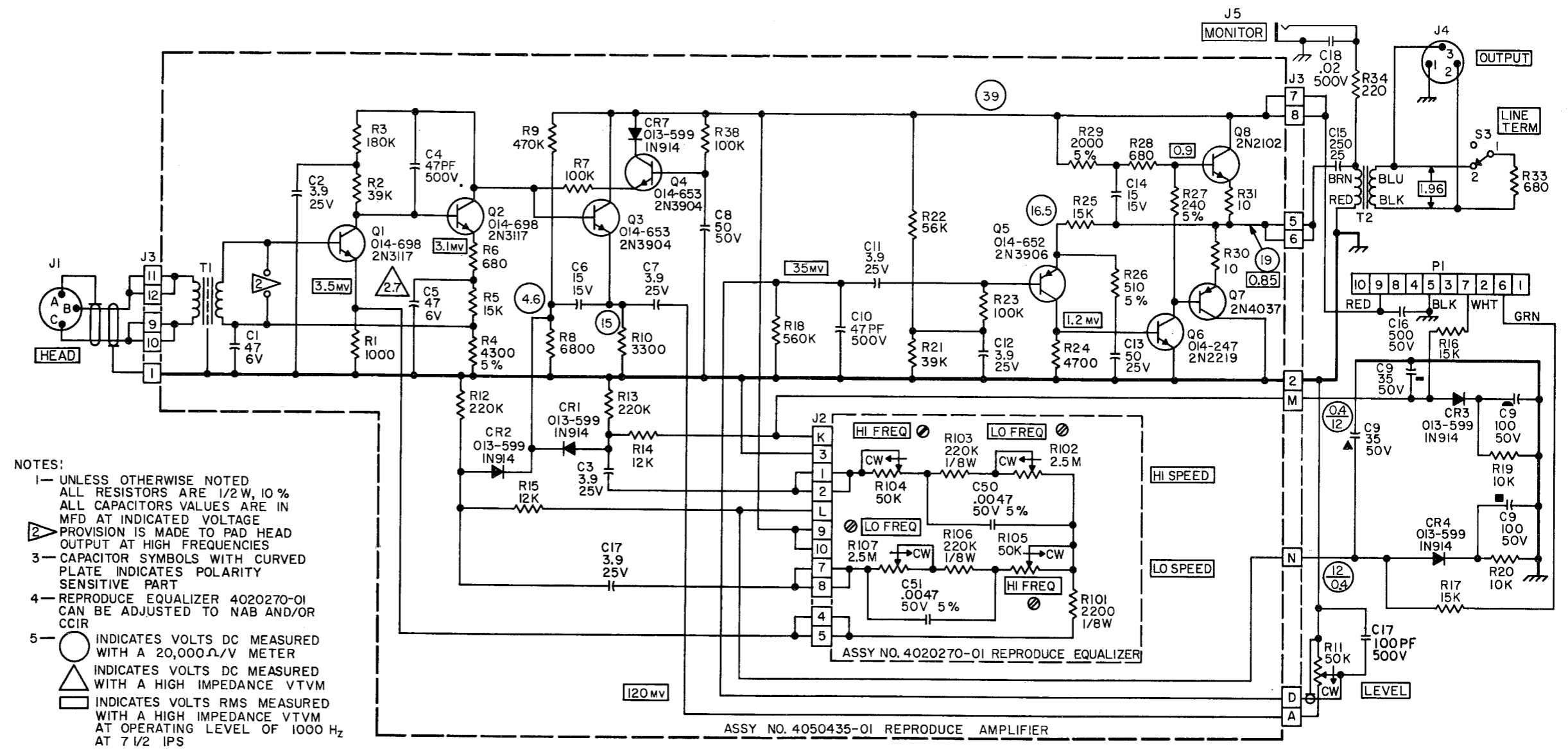


Fig. 6-24. Electronics Schematic, Record/Reproduce.

REPRODUCE-ONLY ELECTRONIC MODULE
 (without equalizer)
 CATALOG NO. 4020150
 (See Fig. No. 6-25)

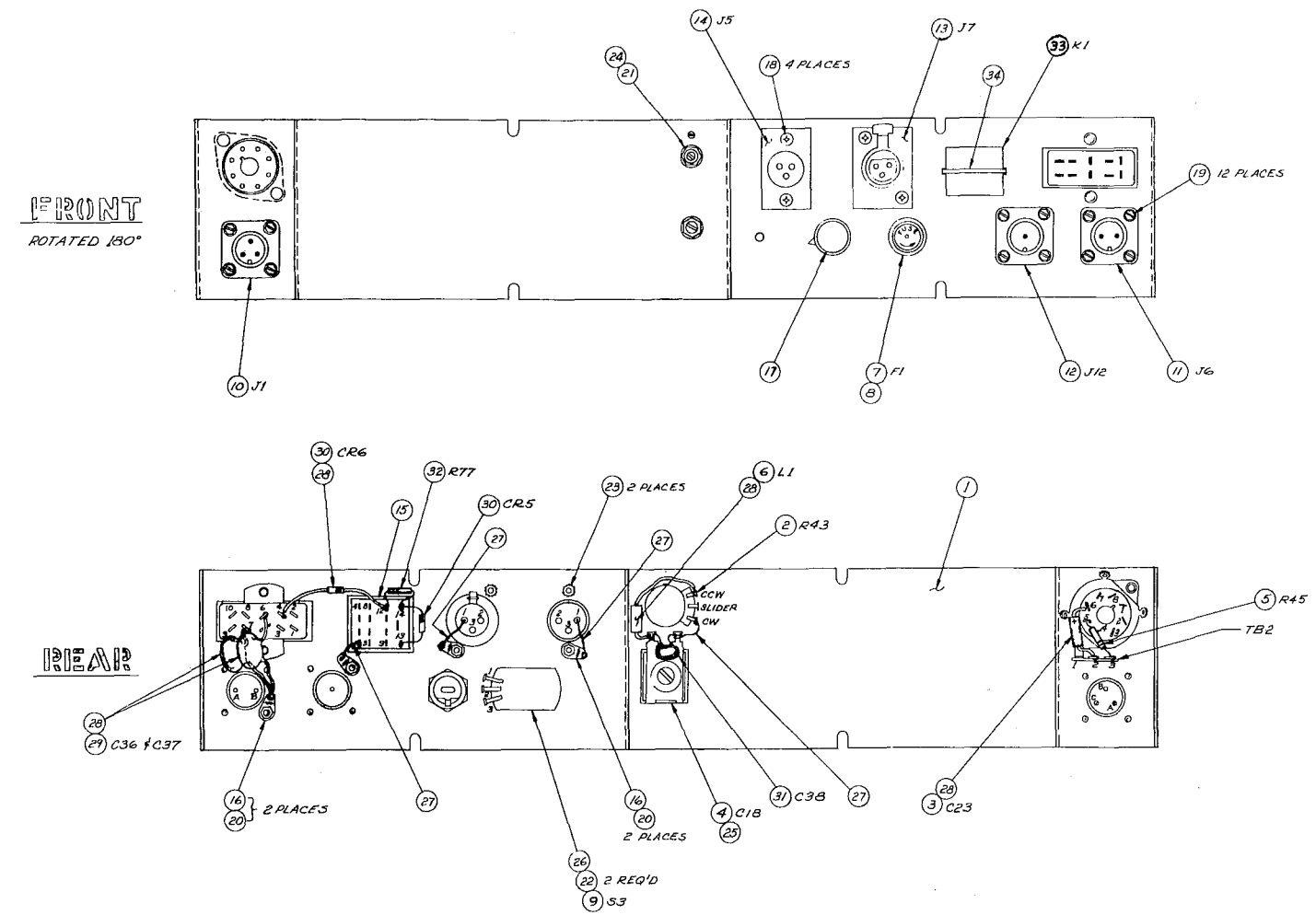
Ref. No.	Qty	DESCRIPTION	Ampex Part No.
	1	Reproduce Amplifier, printed circuit board, assembly (All components on this board same as record/reproduce)	4050435-01
		Components not on printed circuit board	
C9	1	Capacitor, electrolytic, 4 section; 100, 100, 35, 35 mfd; 50 vdcw	4550147-05
C15	1	Capacitor, electrolytic; 250 mfd, 25 vdcw	031-457
C16	1	Capacitor, electrolytic; 500 mfd, -10+150%, 50 vdcw	031-134
C17	1	Capacitor, mica; 100 pfd, ±5%, 500 vdcw	034-177
C18	1	Capacitor, ceramic disc; .02 mfd, 500 vdcw	030-001
CR3	2	Diode, silicon, small signal, switching	013-599
CR4	-	Same as CR3	
J1	1	Connector, receptacle, 3 contact, male; MS3102A10SL-3P (repro. head)	143-008
J3	1	Connector, assembly, 12 contact, printed circuit board (repro. board)	4030269-03
J4	1	Connector, receptacle, audio, 3 contacts, male (output)	147-999
J5	1	Connector, telephone jack; open circuit, 2 conductor (monitor)	148-015
R11	1	Resistor, variable, potentiometer; 50,000 ohms, ±20%, 1/4w (level control)	4520151-01
R16	2	Resistor, fixed, comp; 15,000 ohms, ±10%, 1/2w; RC20GF153K	041-062
R17	-	Same as R16	
R19	2	Resistor, fixed, comp; 10,000 ohms, ±10%, 1/2w; RC20GF103K	041-060
R20	-	Same as R19	
R31	1	Resistor, fixed, comp; 220 ohms, ±10% 1/2w; RC20GF221K	041-040
R33	1	Resistor, fixed, comp; 680 ohms, ±10%, 1/2w; RC20GF681K	041-046
S3	1	Switch, rotary, DPST (line termination)	4620172-10
T2	1	Transformer, output	4580193-01
	1	Cable, interconnecting (captive)	4050087-01
	1	Connector, plug, 10 contacts, male	143-250
	6'	Cable, 4 conductor	616-019
	2	Card Guides	530-102
	1	Retainer, capacitor	301-135

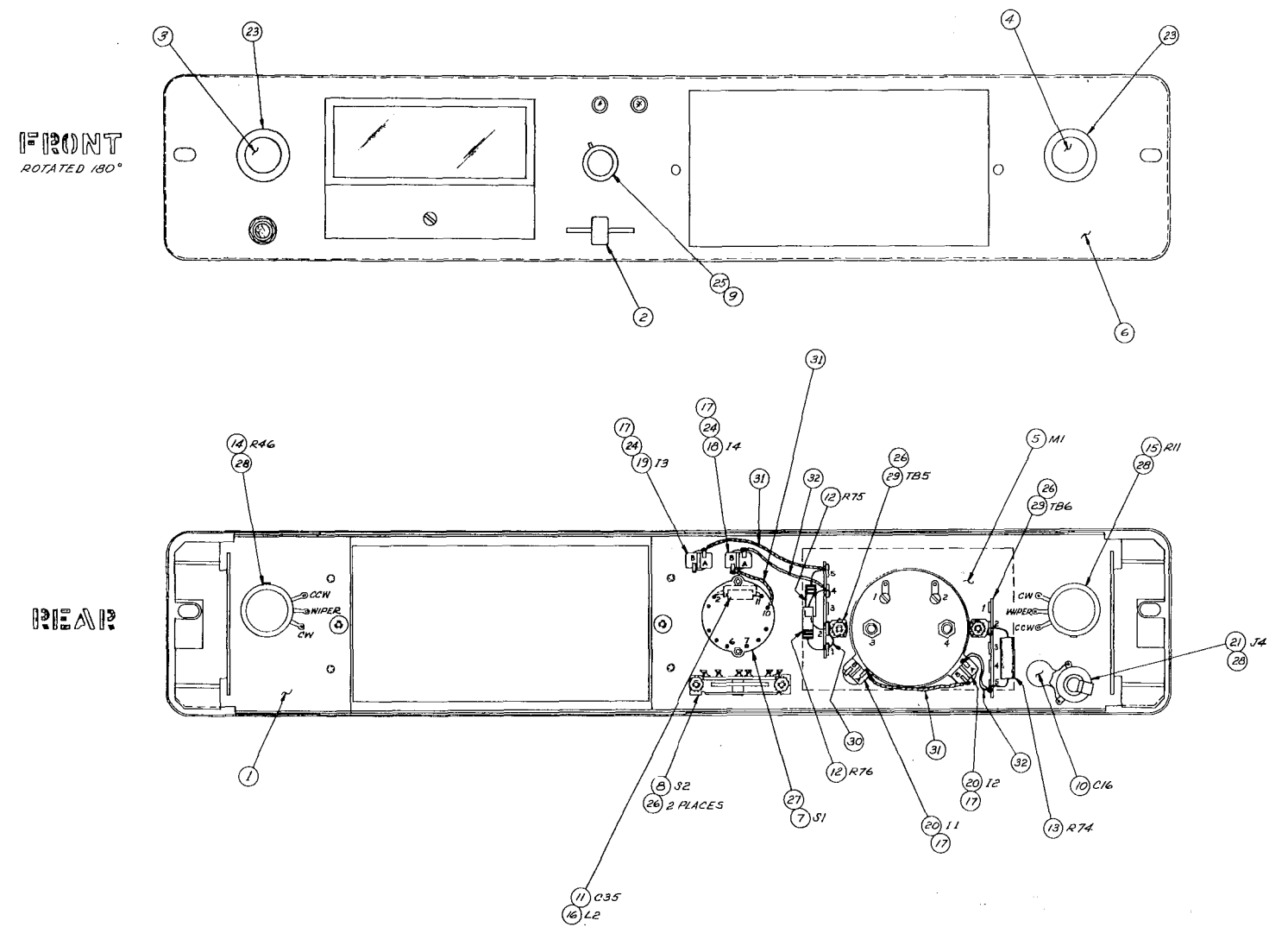


- NOTES:
- 1- UNLESS OTHERWISE NOTED ALL RESISTORS ARE 1/2 W, 10% ALL CAPACITORS VALUES ARE IN MFD AT INDICATED VOLTAGE
 - 2- PROVISION IS MADE TO PAD HEAD OUTPUT AT HIGH FREQUENCIES
 - 3- CAPACITOR SYMBOLS WITH CURVED PLATE INDICATES POLARITY SENSITIVE PART
 - 4- REPRODUCE EQUALIZER 4020270-01 CAN BE ADJUSTED TO NAB AND/OR CCIR
 - 5- ○ INDICATES VOLTS DC MEASURED WITH A 20,000Ω/V METER
 △ INDICATES VOLTS DC MEASURED WITH A HIGH IMPEDANCE VTVM
 □ INDICATES VOLTS RMS MEASURED WITH A HIGH IMPEDANCE VTVM AT OPERATING LEVEL OF 1000 Hz AT 7 1/2 IPS

LAST REF DES USED	REF DES NOT USED
R34	CR5,6
R107	
C18	
C51	
J5	
CR7	
T2	
Q8	
P1	

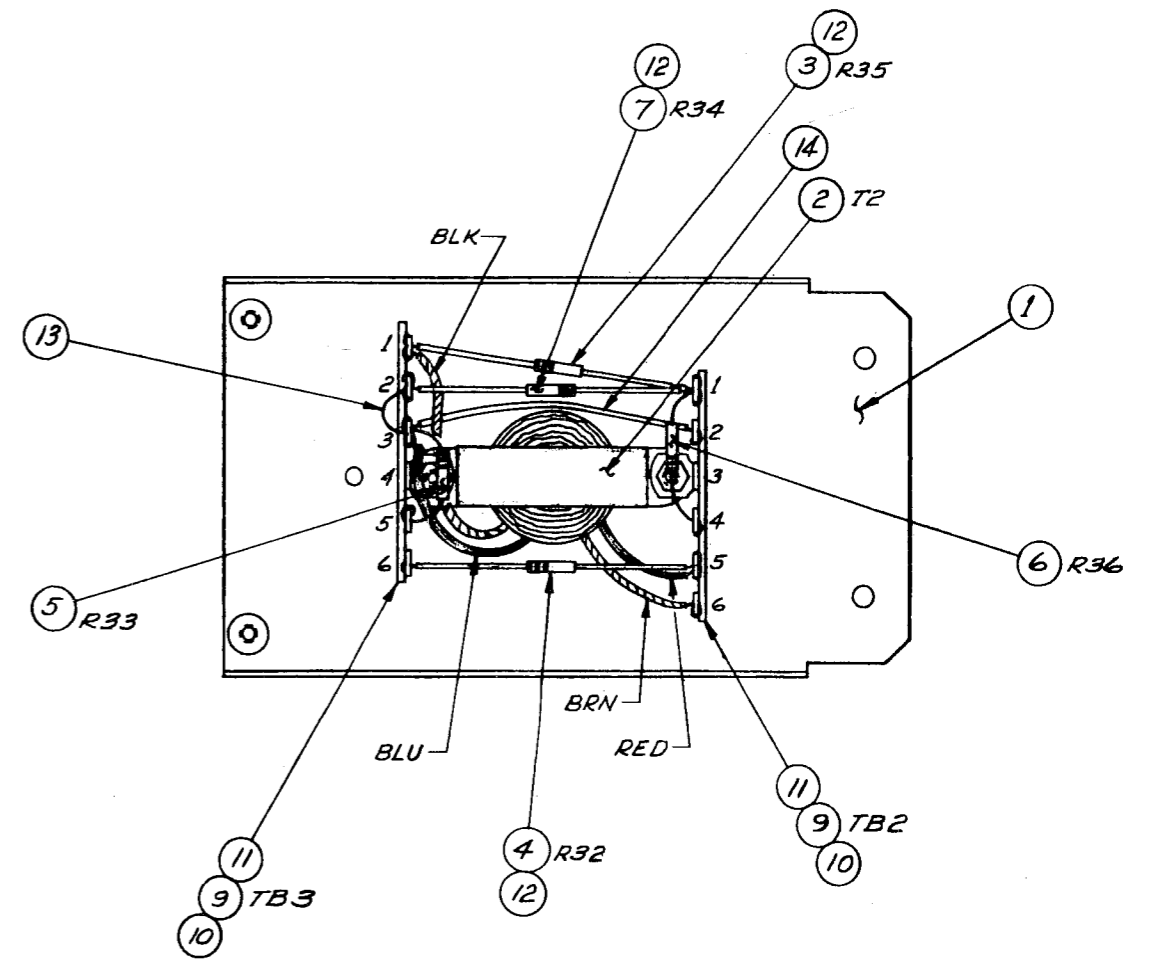
Fig. 6-25. Electronics Schematic, Reproduce-only

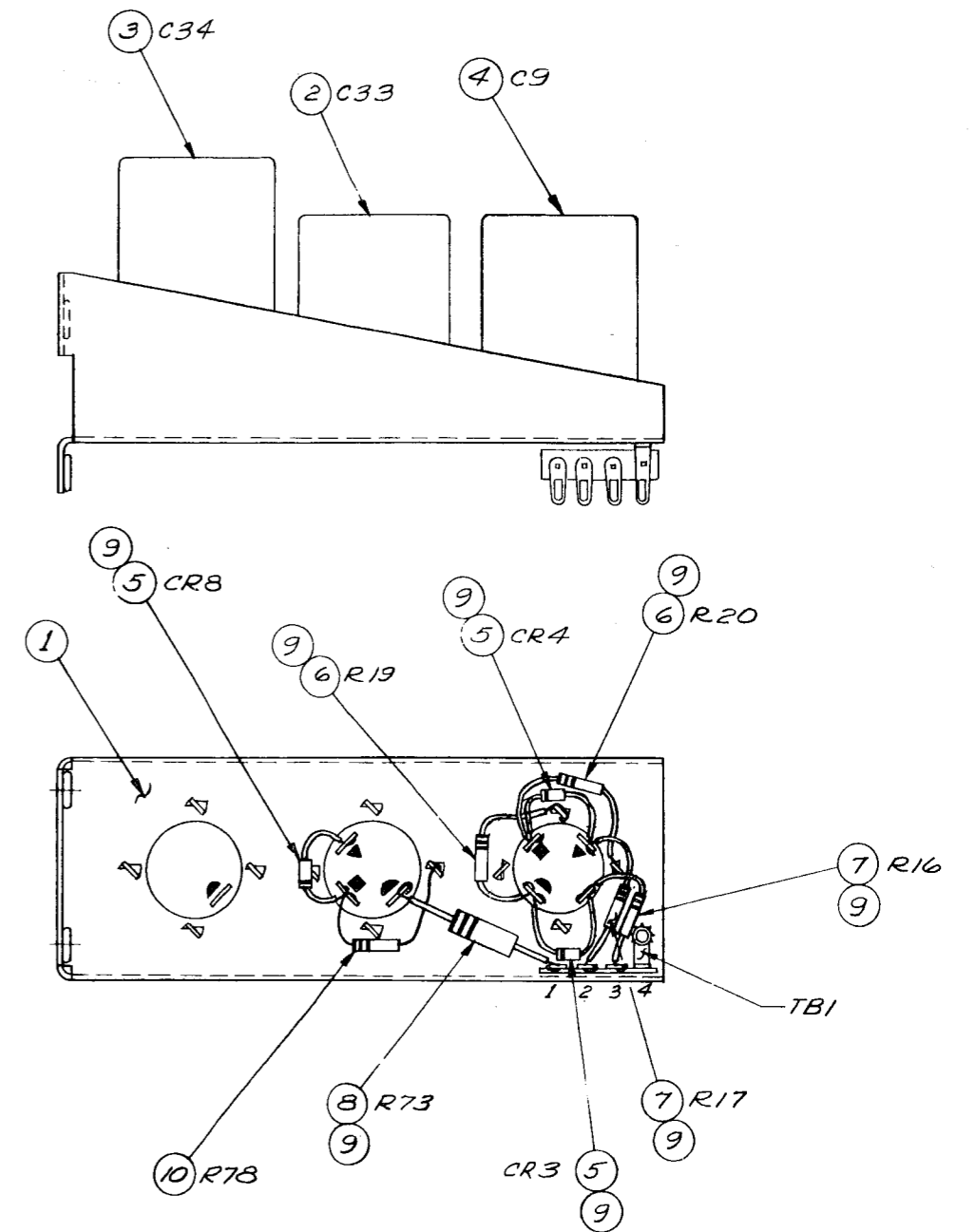




PARTS LIST WITH FIG. 6-24.

Fig. 6-27. Front Panel, Electronics





OPTIONAL ACCESSORY
 REMOTE CONTROL ASSEMBLY
 CATALOG NO. 4010080
 (see Fig. 6-30)

Item	Qty	DESCRIPTION	Ampex Part No.
1	1	Panel, assembly	4040997-01
2	1	Base, assembly	4040999-01
3	4	Pushbutton, white (fast forward, rewind, play, edit)	4100183-01
4	1	Pushbutton, yellow (stop)	4100183-02
5	1	Pushbutton, red (record)	4100183-03
6	1	Escutcheon	4110274-01
7	3	Switch, pushbutton (fast forward, rewind, play)	4620144-10
8	2	Switch, pushbutton (stop, edit)	4620144-20
9	1	Switch, pushbutton (record)	4620144-30
10	3	Socket, light	132-098
11	1	Light, indicator, amber	132-099
12	1	Light, indicator, red	132-100
13	1	Light, indicator, green	060-338
14	3	Clip, lamp holder	435-069
17	3	Resistor, fixed, comp; 180 ohms, ±10%, 1/2w; RC20GF181K	041-257
18	1	Strain Relief	264-011
19	1	Cable, assembly, remote control (captive)	4050086-01
	1	Connector, plug, 12 pins, male	145-019
	25'	Cable, 12 conductor	617-090

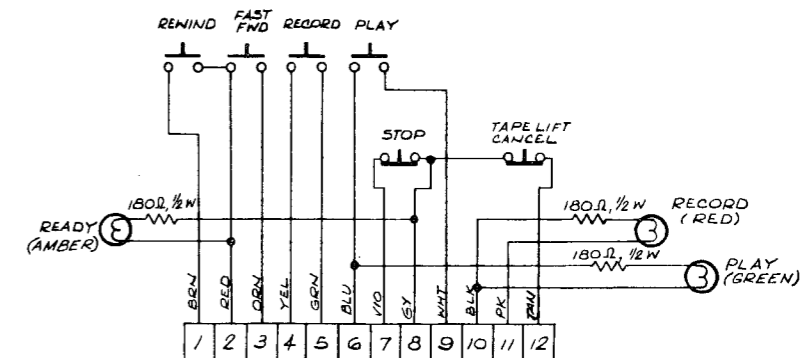
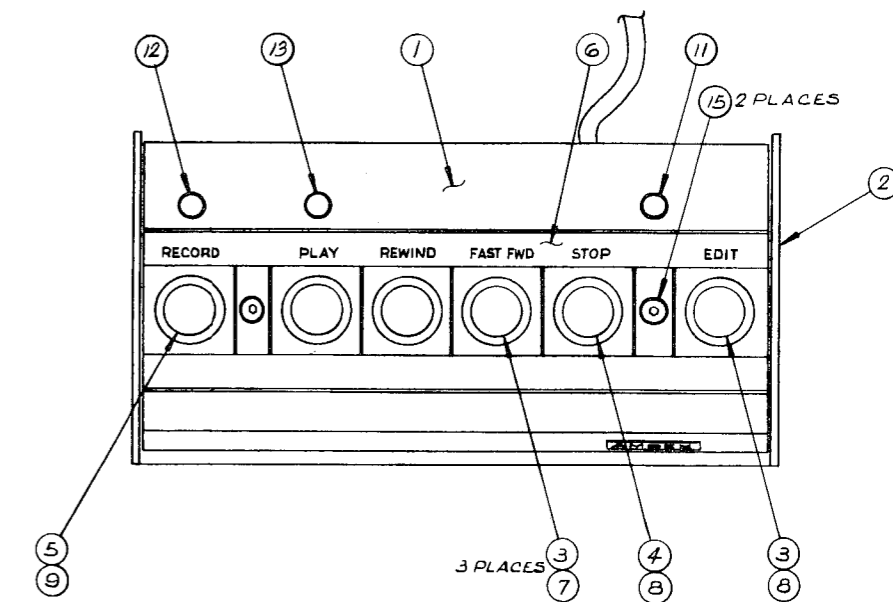
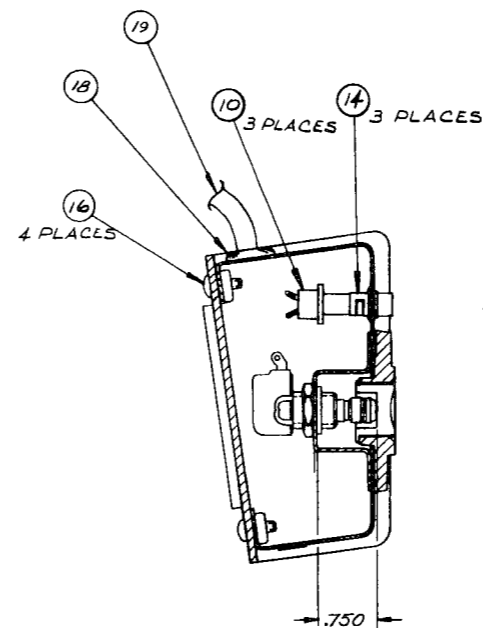
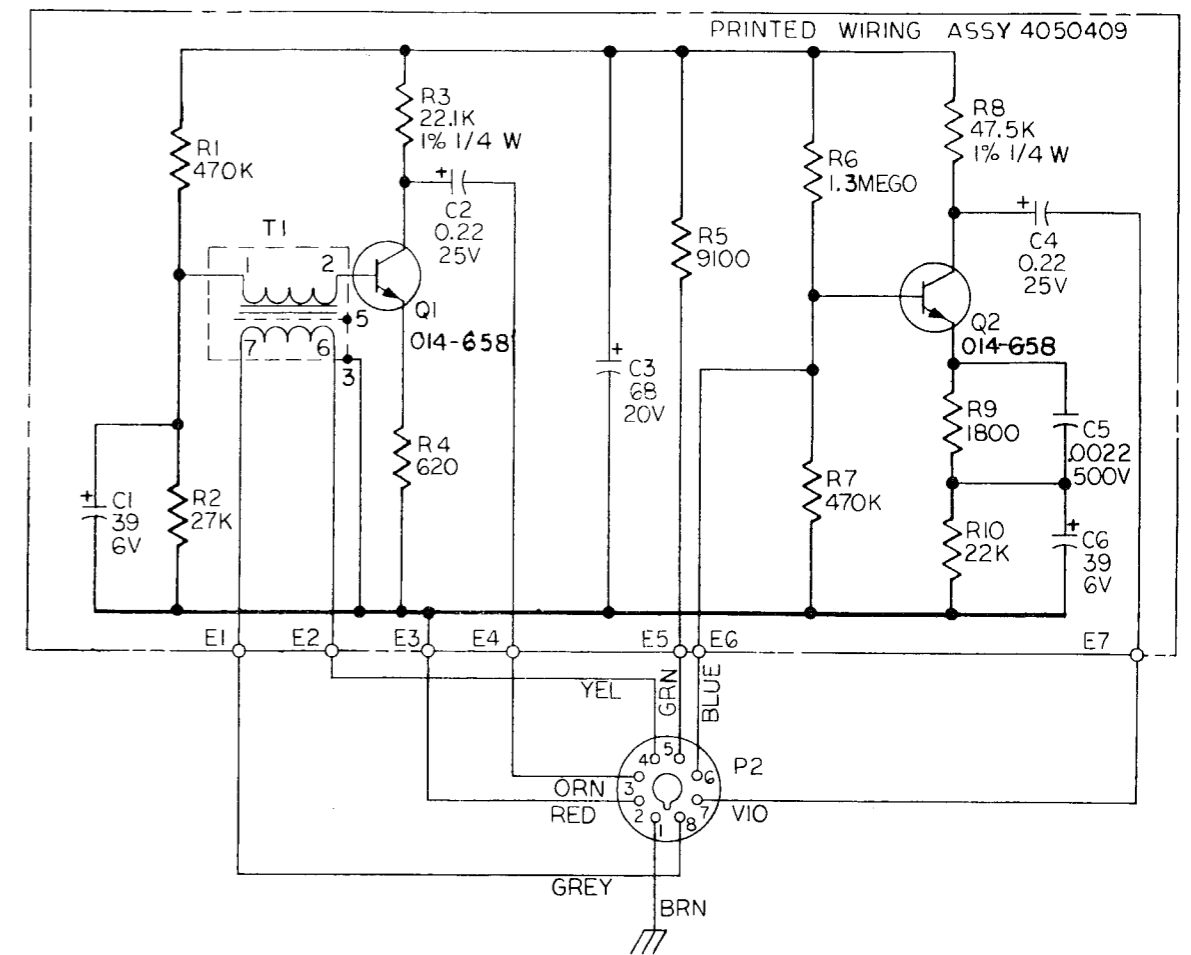
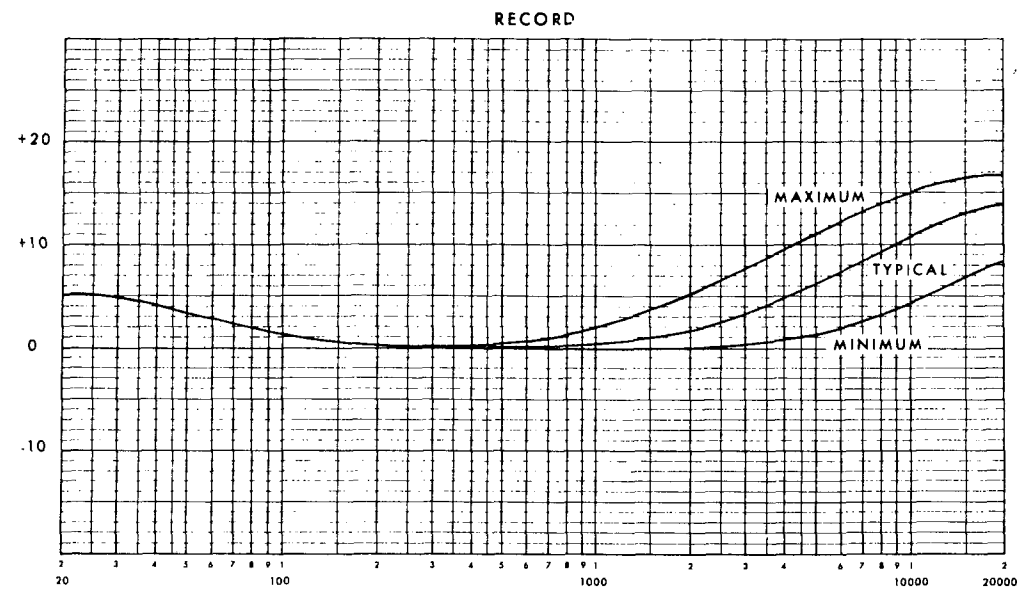


Fig. 6-30. Optional Remote Control

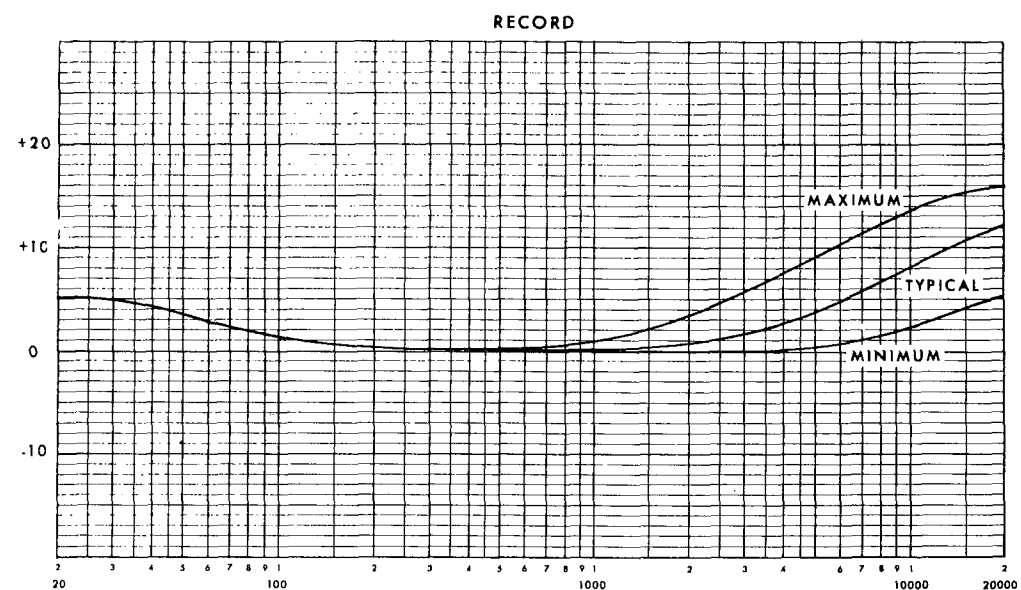
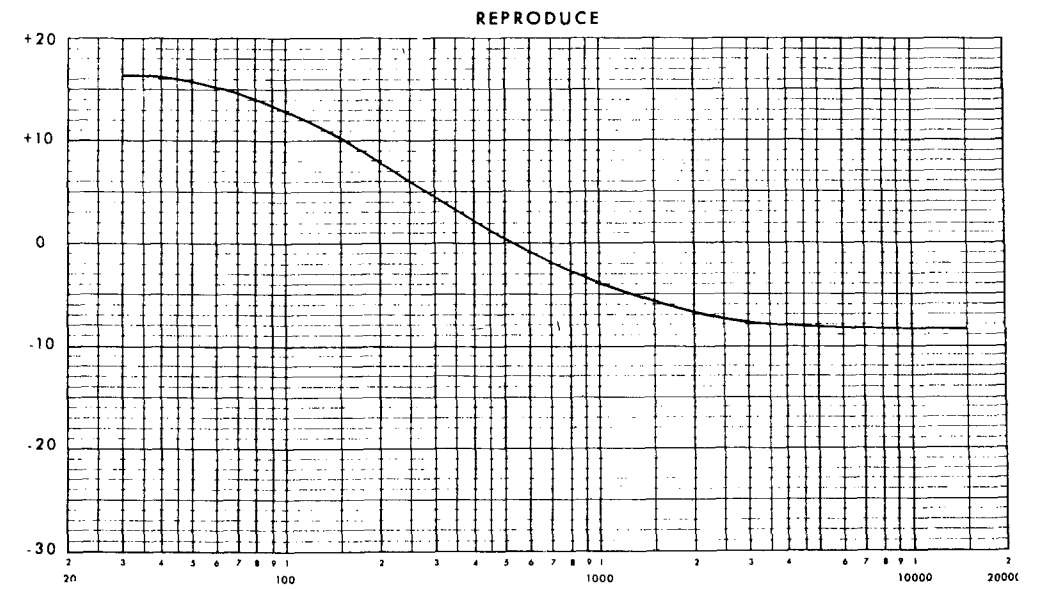
OPTIONAL ACCESSORY
MICROPHONE PREAMPLIFIER
CATALOG NO. 4010066
(see Fig. 6-31)

Ref.	Qty	DESCRIPTION	Ampex Part No.
	1	Printed Circuit Board, assembly	4050409-01
C1	2	Capacitor, tantalum; 39 mfd, ±20%, 6 vdcw	037-452
C2	2	Capacitor, tantalum; 0.22 mfd, ±20%, 25 vdcw	037-450
C3	1	Capacitor, tantalum; 68 mfd, ±20%, 20 vdcw	037-451
C4	-	Same as C2	
C5	1	Capacitor, ceramic disc; .0022 mfd, ±10%, 500 vdcw	030-102
C6	-	Same as C1	
Q1	2	Transistor, silicon; low noise, low level	014-658
Q2	-	Same as Q1	
R1	2	Resistor, fixed, comp; 470,000 ohms, ±5%, 1/2w; RC20GF474J	041-029
R2	1	Resistor, fixed, comp; 27,000 ohms, ±5%, 1/2w; RC20GF273J	041-015
R3	1	Resistor, metal film; 22,100 ohms, ±1%, 1/4w	057-208
R4	1	Resistor, fixed, comp; 620 ohms, ±5%, 1/2w; RC20GF621J	041-006
R5	1	Resistor, fixed, comp; 9,100 ohms, ±5%, 1/2w; RC20GF912J	041-373
R6	1	Resistor, fixed, comp; 1.3 meg ohms, ±5%, 1/2w; RC20GF135J	041-377
R7	-	Same as R1	
R8	1	Resistor, metal film; 47,500 ohms, ±1%, 1/4w	042-482
R9	1	Resistor, fixed, comp; 1,800 ohms, ±5%, 1/2w; RC20GF182J	041-009
R10	1	Resistor, fixed, comp; 22,000 ohms, ±5%, 1/2w; RC20GF223J	041-016
T1	1	Transformer, microphone	4580197-01
	2	Sockets, transistors	150-103
	1	Can, plug-in	4290201-10

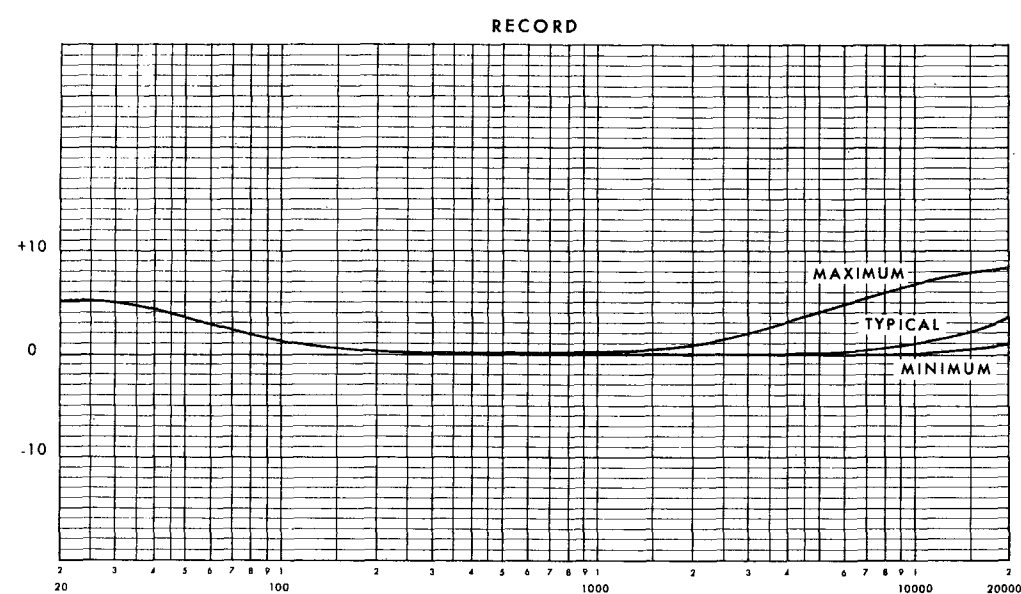
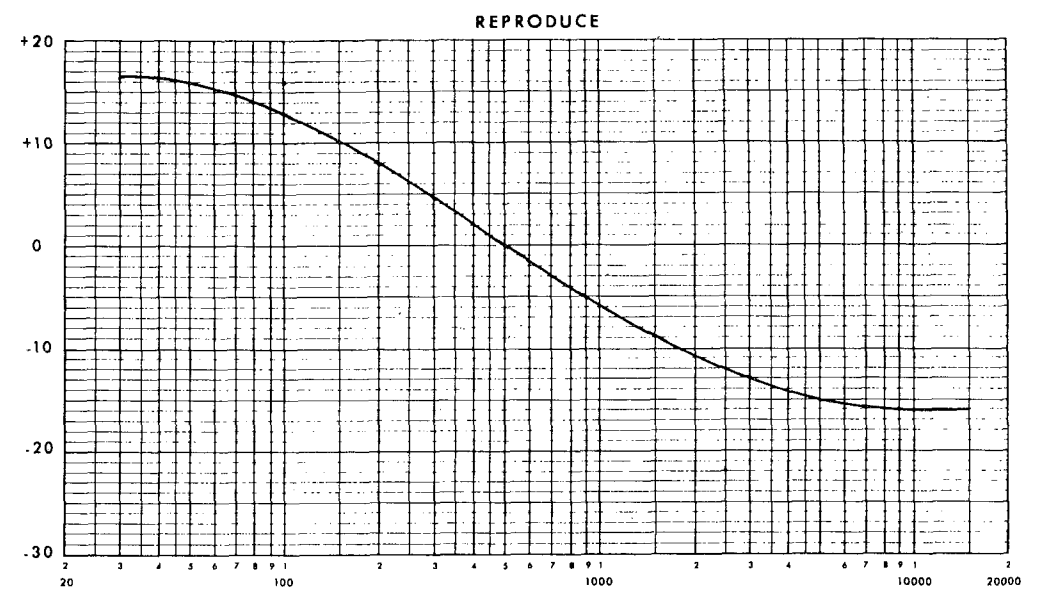




3 3/4 ips (120 usec)



7 1/2 ips NAB



15 ips NAB

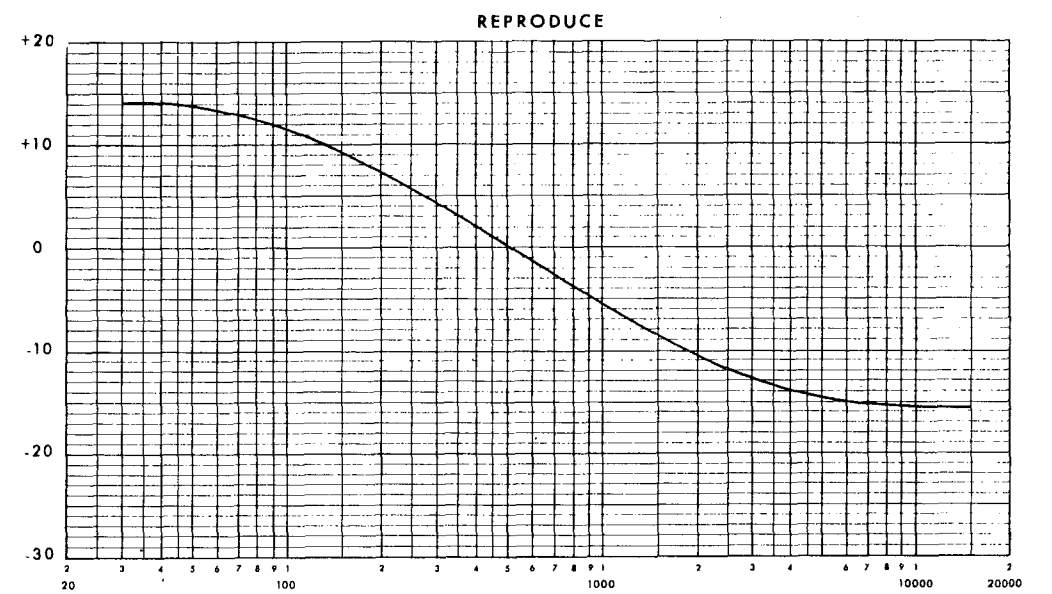
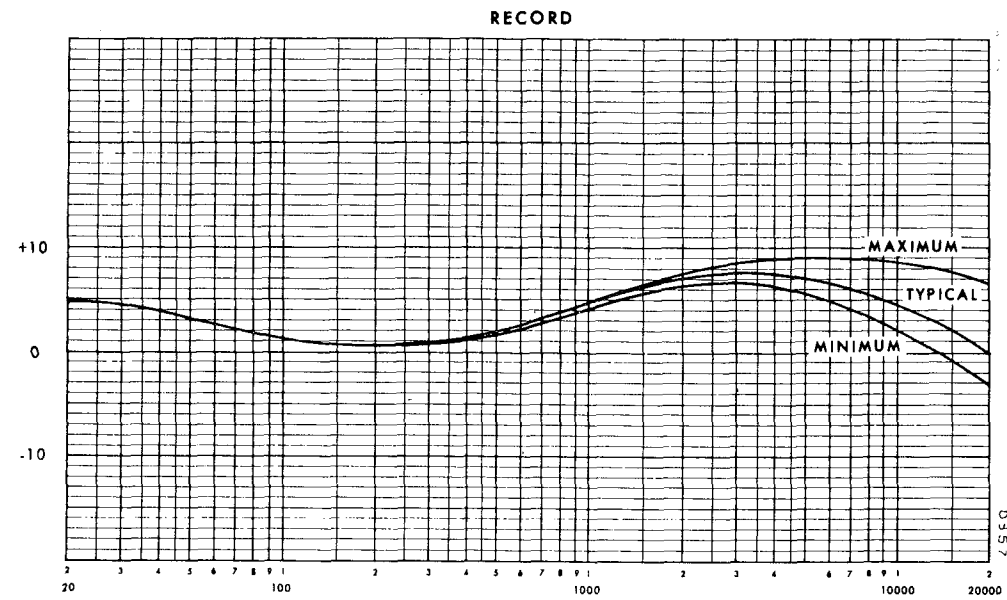
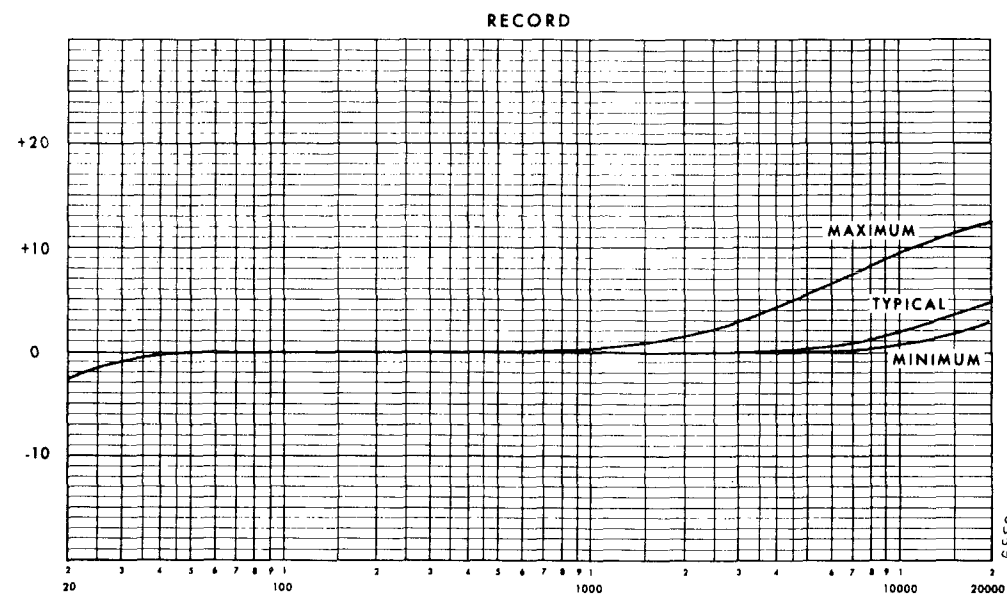
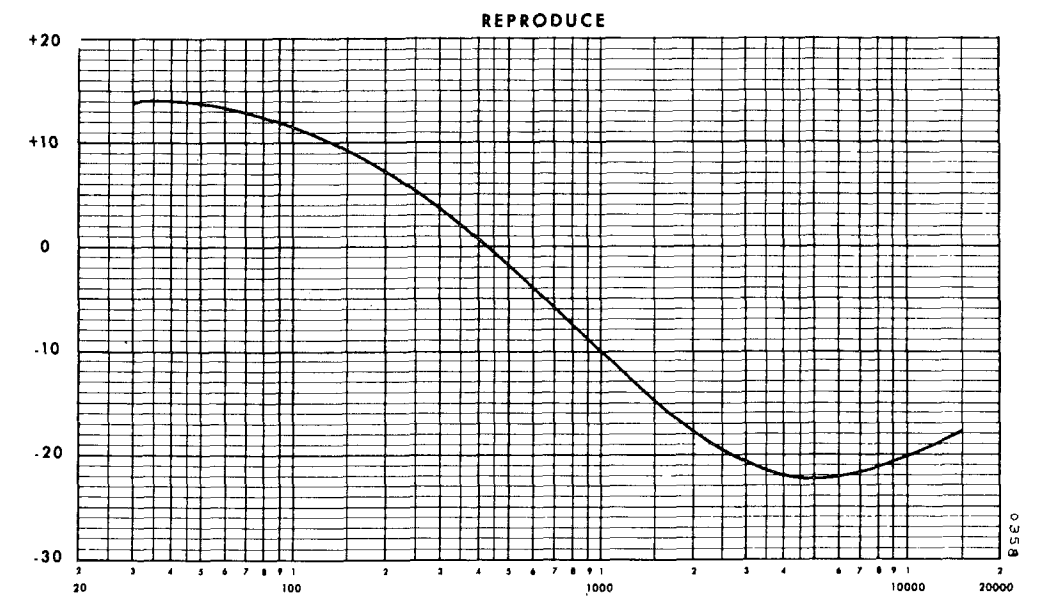


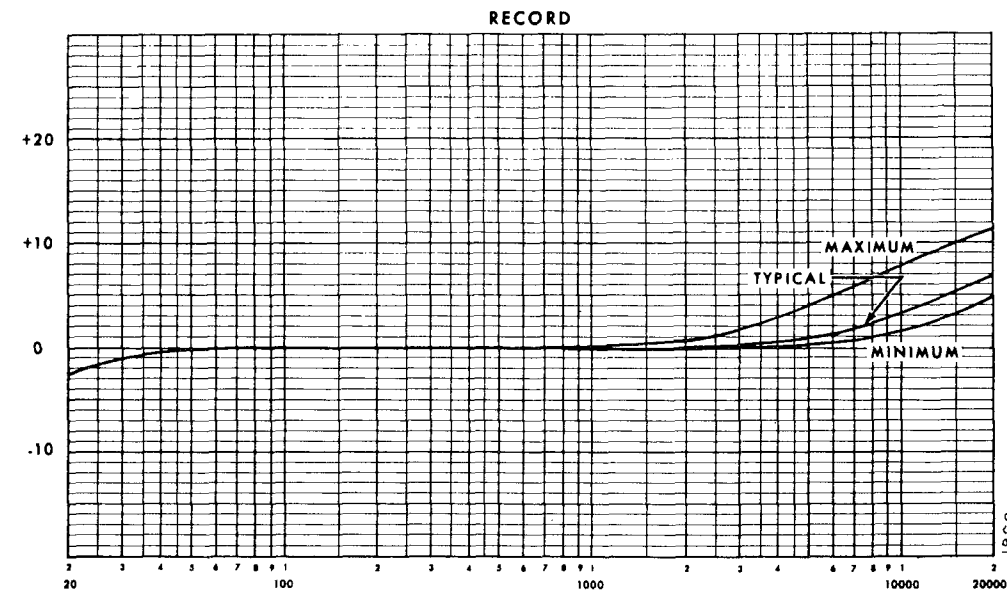
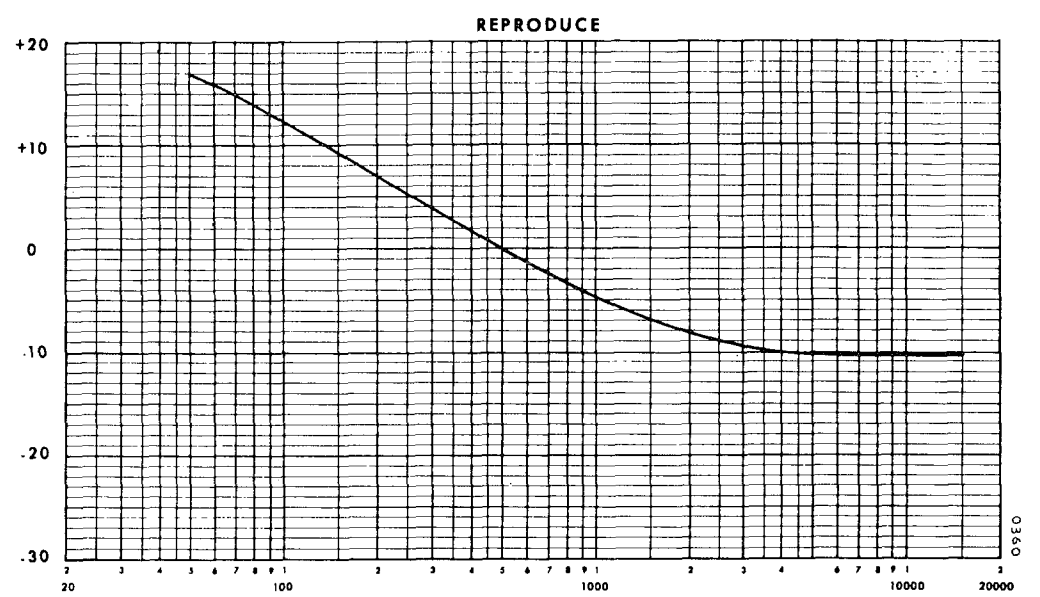
Fig. 6-32. Response Curves, Sheet 1



15 ips AME



7 1/2 ips CCIR



15 ips CCIR

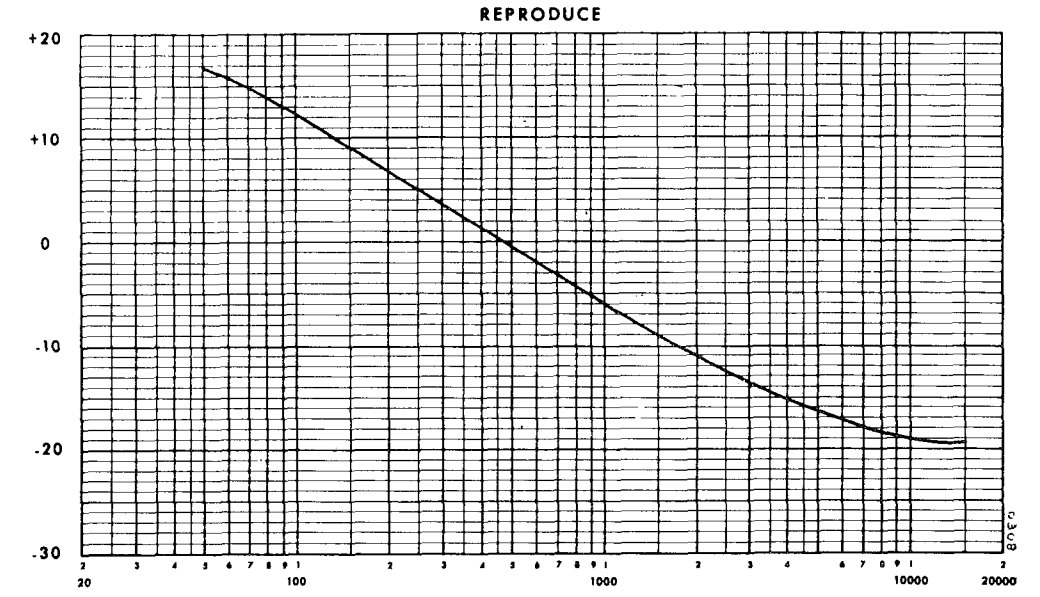
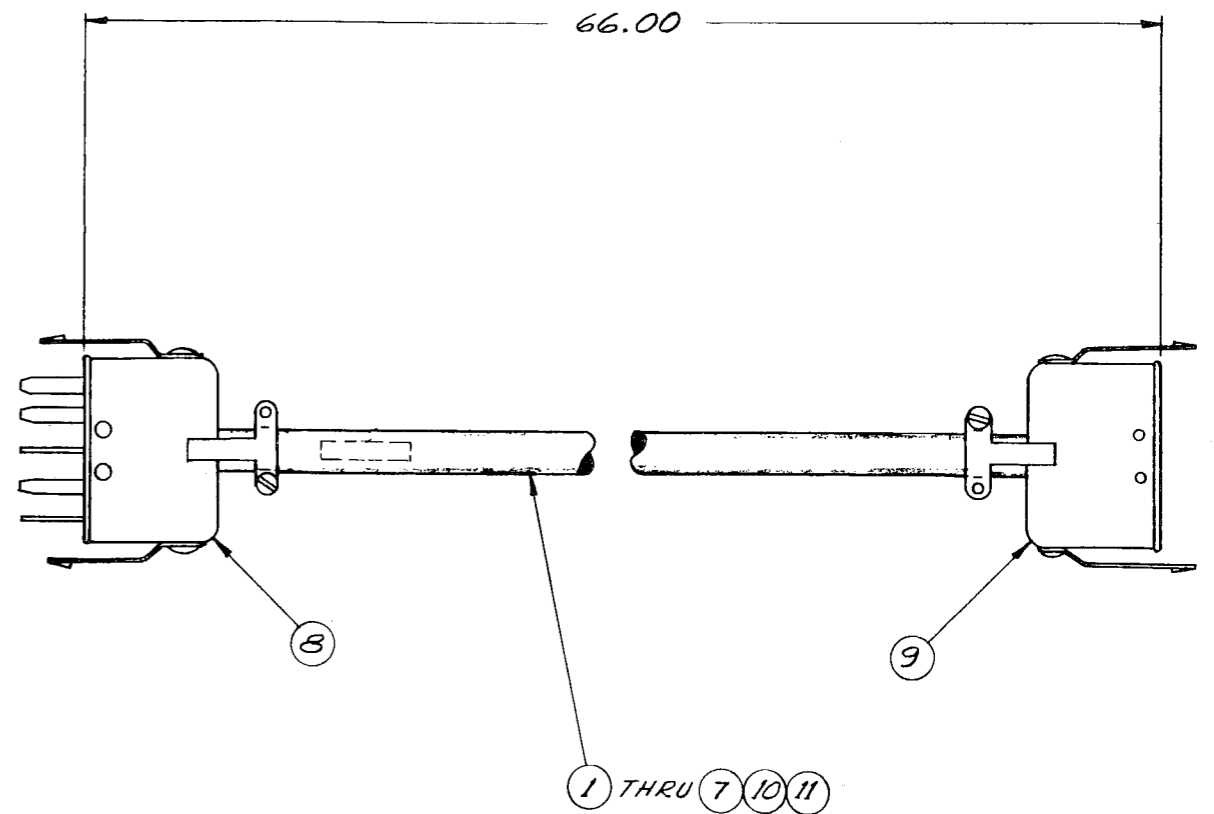


Fig. 6-33. Response Curves, Sheet 2



1		1
2		2
3	YEL	3
4		4
5	GRN	5
6	BLU	6
7	VIO	7
8	GRY	8
9	WHT	9
10	BLK	10

SCHEMATIC DIAGRAM

PART NO.	L
4050416-01	120"

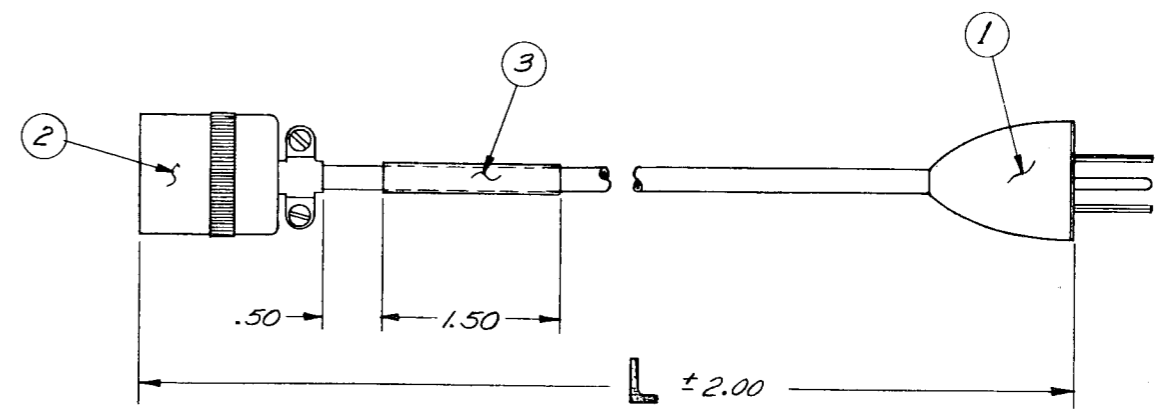
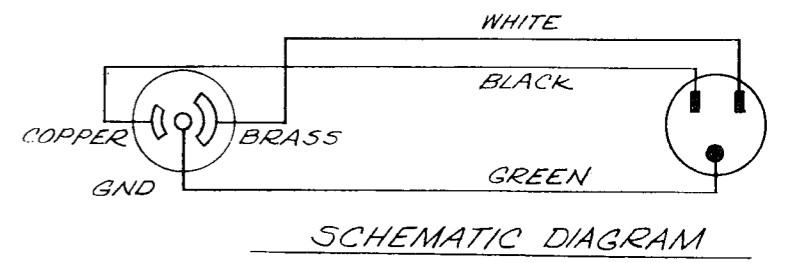


Fig. 6-35. Cable, Power