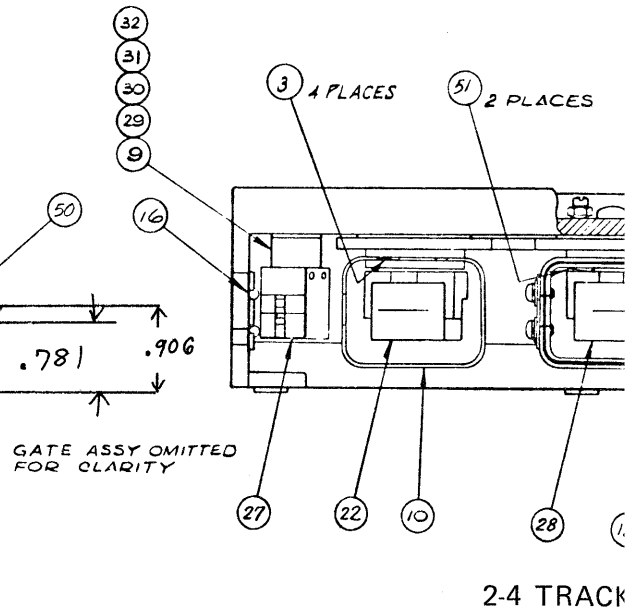
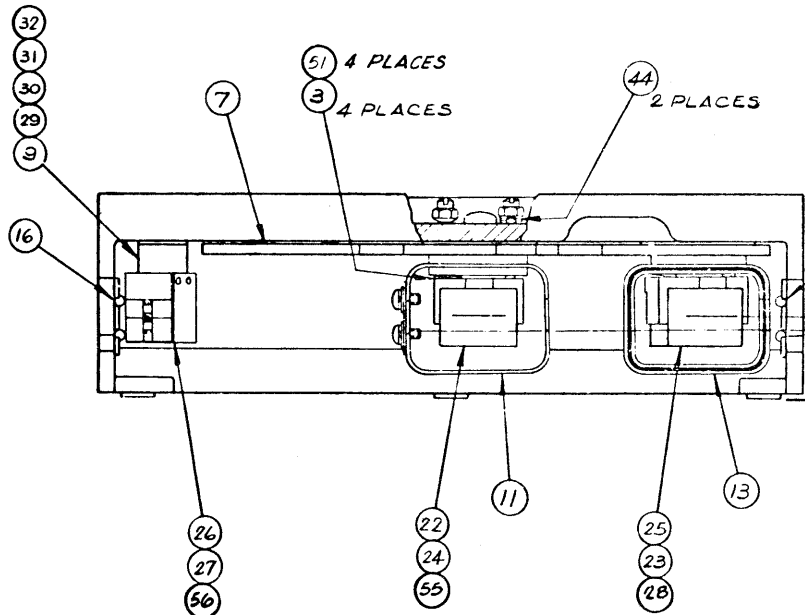
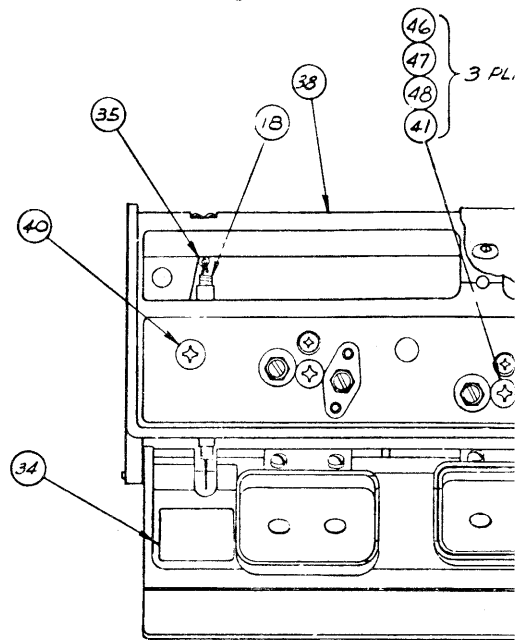
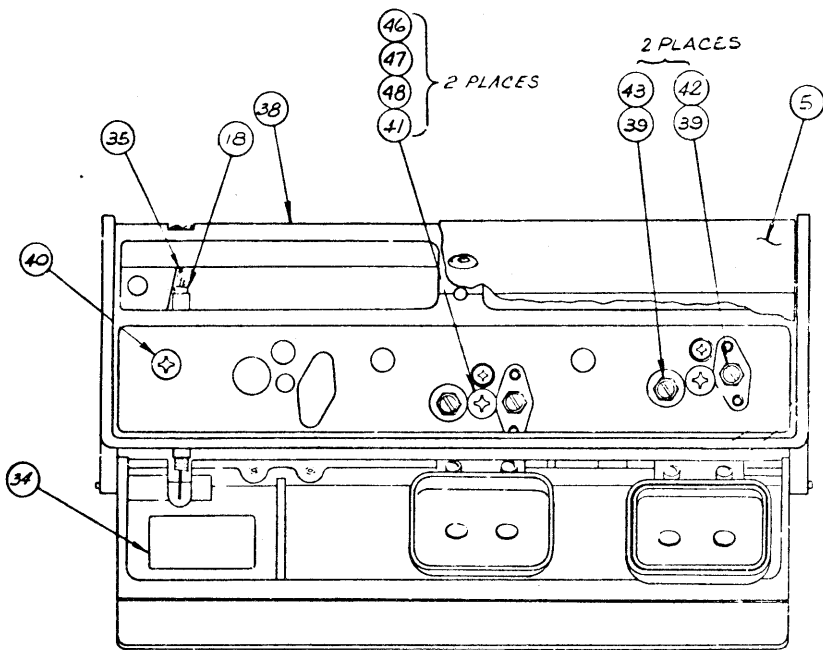


NEXT HIGHER ASSEMBLY NO. 4010202,
4010203

ITEM NO.	AMPEX PART NO.	REFERENCE NUMBER	DESCRIPTION	JEDEC NO. OR MFR. PART NO.
1	4050446-01		HEAD CONNECTOR ASSY, 1 TRACK	
2	4050446-02		HEAD CONNECTOR ASSY, 2 TRACK AND 2-4 TRACK	
3	4270167-10		SPRING, HEAD	
4	4350011-01		KNOB, 2-4 TRACK	
5	4350038-01		OVERLAY ASSY, HEAD HOUSING, 1 TRACK AND 2 TRACK	
6	4350038-02		OVERLAY ASSY, HEAD HOUSING, 2-4 TRACK	
7	4350016-01		SPACER, HEAD, 1/4" TAPE	
9	4350019-01		SPACER, ERASE HEAD	
10	4350021-01		SHIELD CAN ASSY, REC POS, NO. 2, 2-4 TRACK	
11	4350022-03		SHIELD CAN ASSY, REC POS, NO. 3, 1 TRACK AND 2 TRACK	
12	4350023-03		SHIELD CAN ASSY, P/B POS, NO. 3, 2-4 TRACK	
13	4350024-01		SHIELD CAN ASSY, P/B POS, NO. 4	
14	4350029-05		HEAD GATE ASSY, 1 TRACK AND 2 TRACK	
15	4350029-06		HEAD GATE ASSY, 2-4 TRACK	
16	4350184-01		TAPE GUIDE ASSY, 1/4"	
17	4210313-01		SWITCH, SHAFT, 2-4 TRACK	
18	4350035-01		SPRING, HEAD GATE	
22	4350094-01		HEAD STACK ASSY, REC, 2 TRACK AND 2-4 TRACK	
23	4350094-02		HEAD STACK ASSY, P/B, 2 TRACK AND 2-4 TRACK	
24	4350095-01		HEAD STACK ASSY, REC, 1 TRACK	
25	4350095-02		HEAD STACK ASSY, P/B, 1 TRACK	
26	4040829-03		HEAD STACK ASSY, ERASE, 1 TRACK	
27	4040831-03		HEAD STACK ASSY, ERASE, 2 TRACK AND 2-4 TRACK	
28	4350068-03		HEAD STACK ASSY, 2-4 TRACK	
29	4350025-01		SHIM, ERASE HEAD, 0.010 THK	
30	4350025-02		SHIM, ERASE HEAD, 0.002 THK	
31	4350025-03		SHIM, ERASE HEAD, 0.003 THK	
32	4350025-04		SHIM, ERASE HEAD, 0.005 THK	
35	401-008		PIN, COTTER, 1/16 DIA X 3/4 LG	
36	403-006		PIN, "DRIV-LOK", 3/32 DIA, TYPE C	
37	470-425		SCREW, HEX SOC, BUTTON HD, NO. 4-40 X 1/4	
38	4350017-03		BASE, HEAD MOUNTING	
39	471-481		SCREW, FILL HD SLOT, NO. 4-40 X 5/8	
40	471-041		SCREW, PN HD, XREC, NO. 10-32 X 3/4	
41	473-156		SCREW, PN HD, XREC, NO. 10-32 X 9/16	

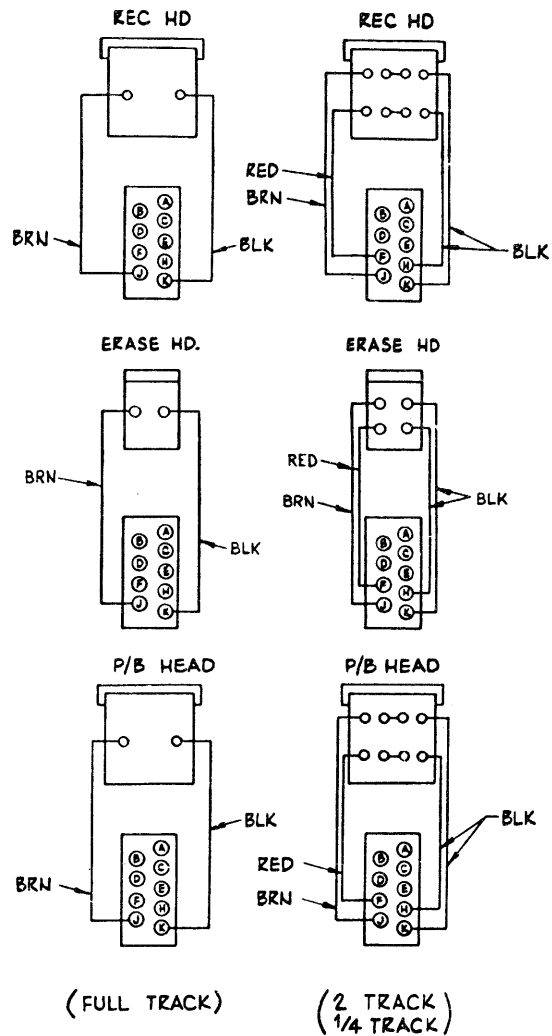
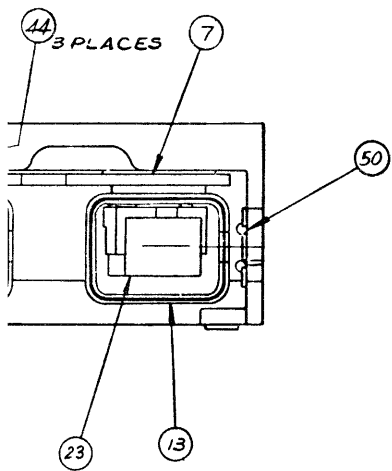
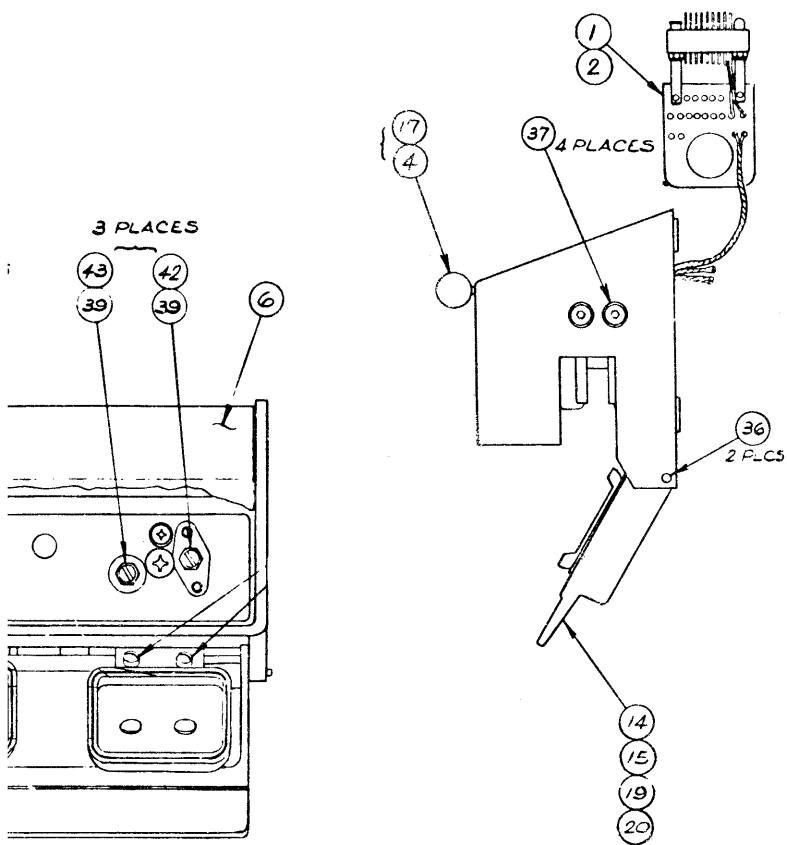
NEXT HIGHER ASSEMBLY NO. 4010202,
4010203

ITEM NO.	AMPEX PART NO.	REFERENCE NUMBER	DESCRIPTION	JEDEC NO. OR MFR. PART NO.
42	492-008		NUT, HEX, NO. 4-40	
43	493-001		NUT, SELF-LOCKING, NO. 4-40	
44	502-062		WASHER, LOCK, DOUBLE COIL, NO. 4	
46	501-054		WASHER, FLAT, 0.203 ID X 0.375 OD X 0.005 THK	
47	501-057		WASHER, FLAT, 0.203 ID X 0.375 OD X 0.010 THK	
48	501-064		WASHER, FLAT, 0.203 ID X 0.375 OD X 0.003 THK	
50	4350184-02		TAPE GUIDE ASSY, 1/4"	
51	4270167-40		SPRING, HEAD, 2-4 TRACK	
			VERSIONS: 4020355-01 1 TRACK 4020355-02 2 TRACK 4020355-03 2-4 TRACK	



FULL TRACK & 2 TRACK

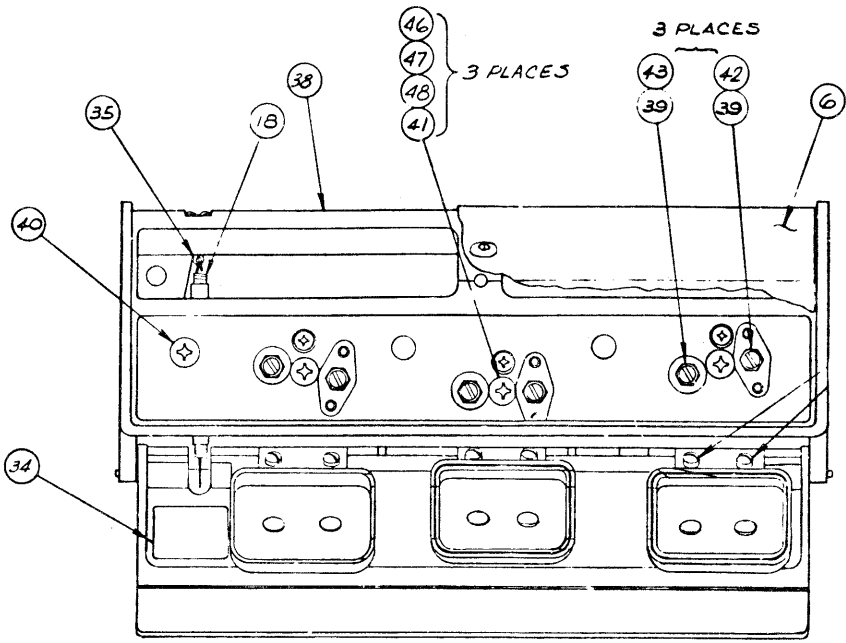
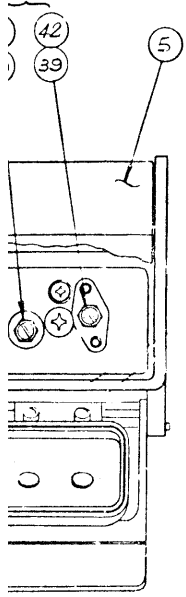
2-4 TRACK



WIZING DIAGRAM

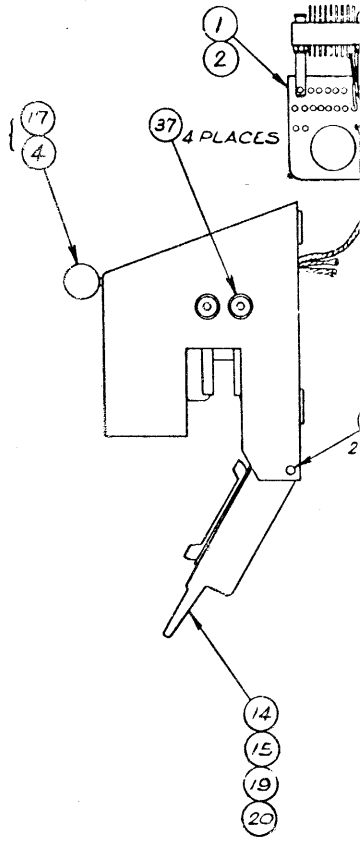
Assembly No. 4020355
 1 Track, 2 Track, 2-4 Track Head Assembly
 for 1/4-Inch Tape

2 PLACES

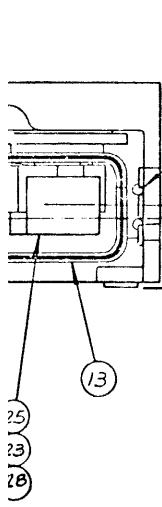


3 PLACES

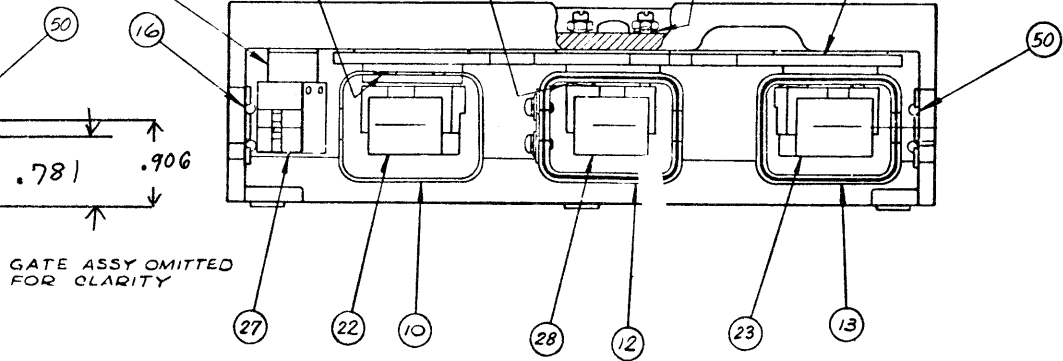
3 PLACES



2 PLACES



32
31
30
29
9



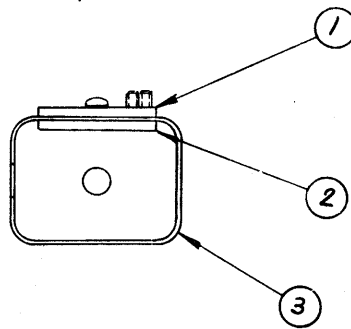
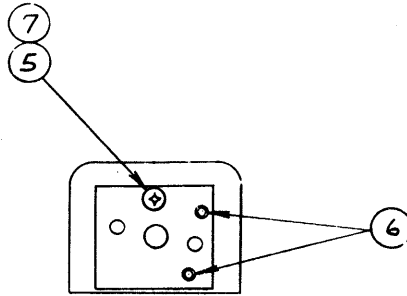
GATE ASSY OMITTED FOR CLARITY

.781
.906

2-4 TRACK

NEXT HIGHER ASSEMBLY NO. 4020355

ITEM NO.	AMPEX PART NO.	REFERENCE NUMBER	DESCRIPTION	JEDEC NO. OR MFR. PART NO.
1	4350001-01		PLATE, OUTER	
2	4350004-01		PLATE, INNER	
3	4350006-01		SHIELD CAN, 1/4"	
5	471-010		SCREW, MACH, PN HD, PHILL, NO. 4-40 X 1/4	
6	477-112		SCREW, SET, HEX SOC, NO. 4-40 X 3/8	
7	501-186		WASHER, FLAT, 0.115 ID X 0.209 OD X 0.016 THK	
VERSION: 4350021-01				



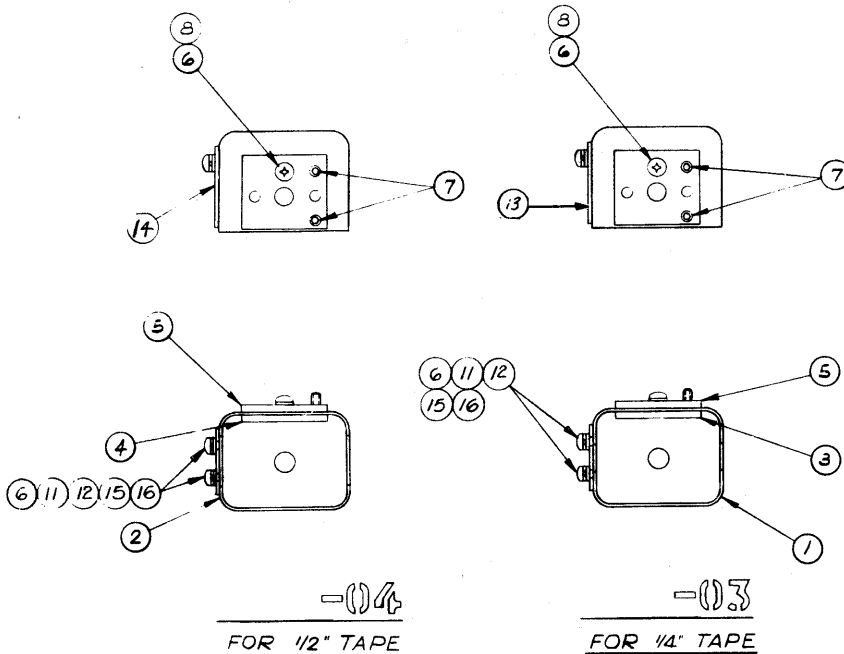
— () |

FOR 1/4" TAPE

NEXT HIGHER ASSEMBLY NO. 4020359,
4020355, 4020356

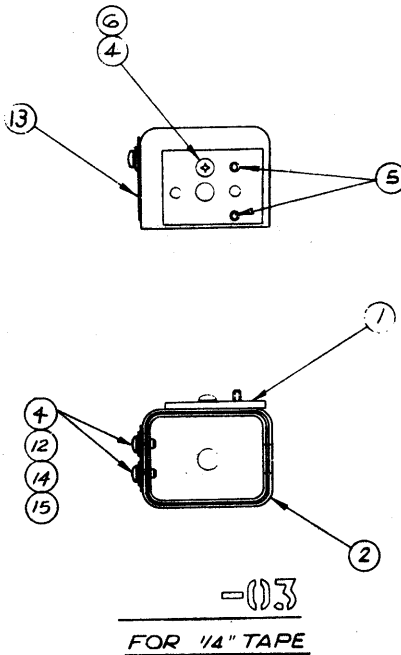
ITEM NO.	AMPEX PART NO.	REFERENCE NUMBER	DESCRIPTION	JEDEC NO. OR MFR. PART NO.
1	4350007-03		SHIELD CAN, 1/4"	
2	4350007-04		SHIELD CAN, 1/2"	
3	4350005-01		PLATE, INNER, RECORD, 1/4"	
4	4350005-02		PLATE, INNER, RECORD, 1/2"	
5	4350002-01		PLATE, TOP	
6	471-010		SCREW, MACH, PN HD, PHILL, NO. 4-40 X 1/4	
7	477-112		SCREW, SET, HEX SOC, NO. 4-40 X 3/8	
8	501-186		WASHER, FLAT, 0.115 ID X 0.209 OD X 0.016 THK	
11	501-002		WASHER, FLAT, NO. 4	
12	502-002		WASHER, LOCK, SPLIT, NO. 4	
13	4350186-01		TAPE GUIDE ASSY, 1/4"	
14	4350190-01		TAPE GUIDE ASSY, 1/2"	
15	470-425		SCREW, HEX SOC BUT HD, 4-40 X 1/4 LG	
16	501-061		WASHER, FLAT, .017 THK, NO. 4	

VERSION: 4350022-03 1/4 INCH TAPE
4350022-04 1/2 INCH TAPE



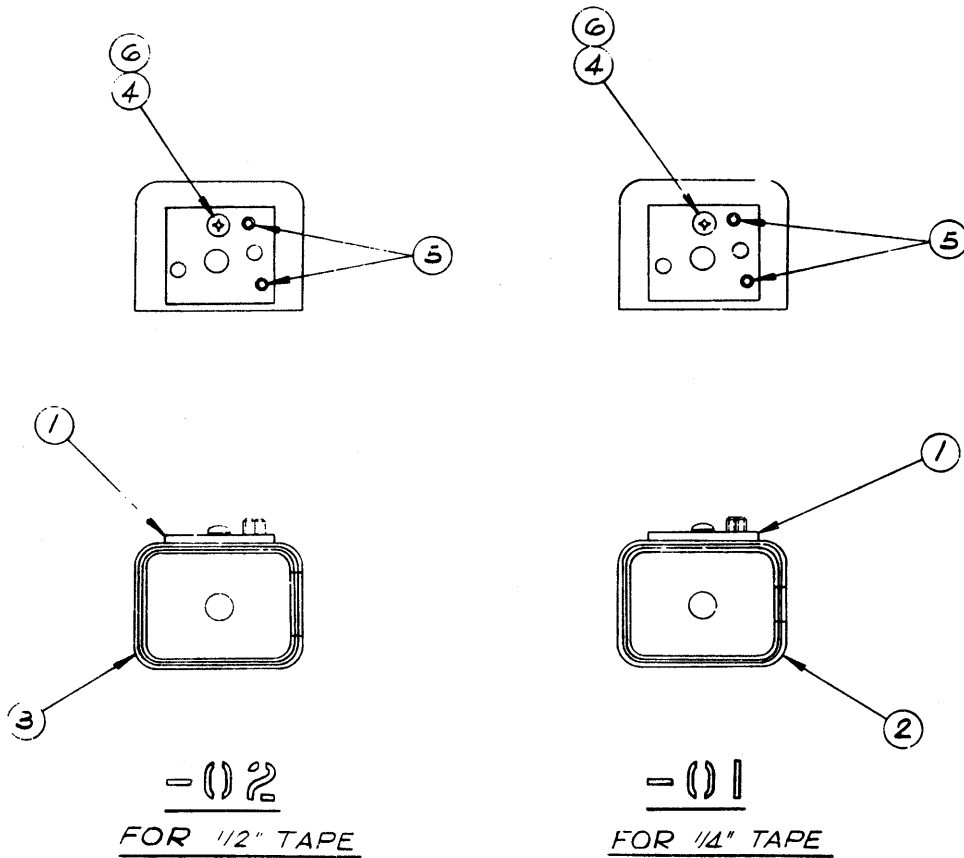
NEXT HIGHER ASSEMBLY NO. 4020355

ITEM NO.	AMPEX PART NO.	REFERENCE NUMBER	DESCRIPTION	JEDEC NO. OR MFR. PART NO.
1	4350002-01		PLATE	
2	4350008-03		SHIELD CAN, 1/4"	
4	471-010		SCREW, MACH, PN HD, PHILL, NO. 4-40 X 1/4	
5	477-112		SCREW, SET, HEX SOC, NO. 4-40 X 3/8	
6	501-186		WASHER, FLAT, 0.115 ID X 0.209 OD X 0.016 THK	
12	502-002		WASHER, LOCK, SPLIT, NO. 14	
13	4350186-01		TAPE GUIDE ASSY, 1/4"	
14	470-425		SCREW, HEX SOC BUT HD, 4-40 X 1/4 LG	
15	501-061		WASHER, FLAT, .017 THK, NO. 4	
VERSION: 4350023-03				



NEXT HIGHER ASSEMBLY NO. 4020359, 4020355, 4020356

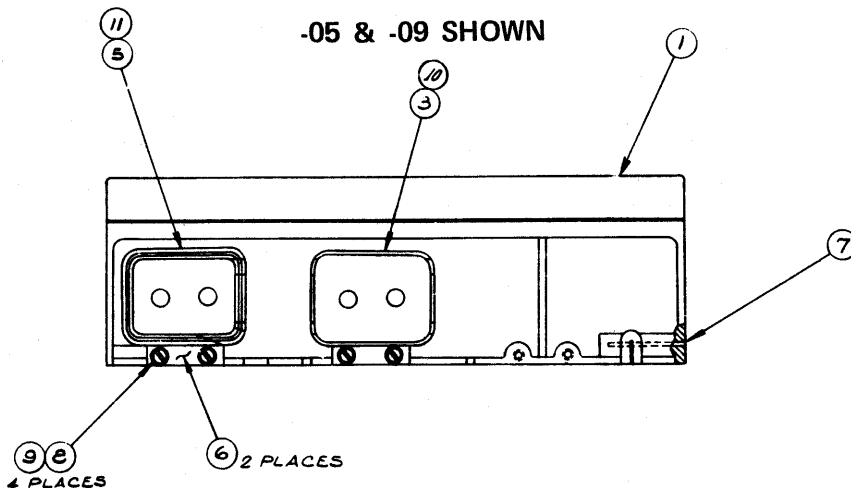
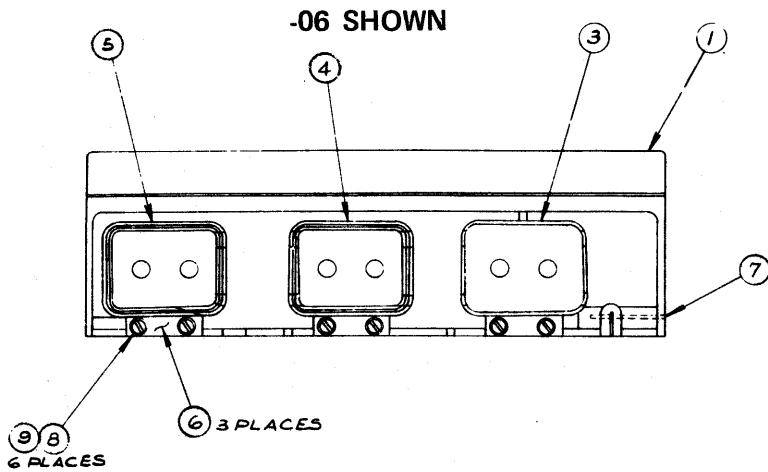
ITEM NO.	AMPEX PART NO.	REFERENCE NUMBER	DESCRIPTION	JEDEC NO. OR MFR. PART NO.
1	4350003-01		PLATE	
2	4350009-01		SHIELD CAN, 1/4"	
3	4350009-02		SHIELD CAN, 1/2"	
4	471-010		SCREW, MACH, PN HD, PHILL, NO. 4-40 X 1/4	
5	477-112		SCREW, SET, HEX SOC, NO. 4-40 X 3/8	
6	501-186		WASHER, FLAT, 0.115 ID X 0.209 OD X 0.016 THK	
VERSION: 4350024-01 1/4 INCH TAPE 4350024-02 1/2 INCH TAPE				



NEXT HIGHER ASSEMBLY NO. 4020359, 4020355, 4020356

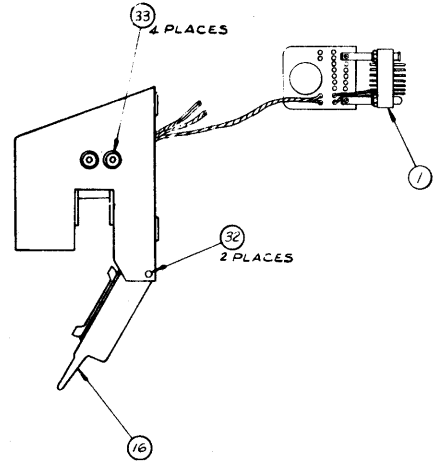
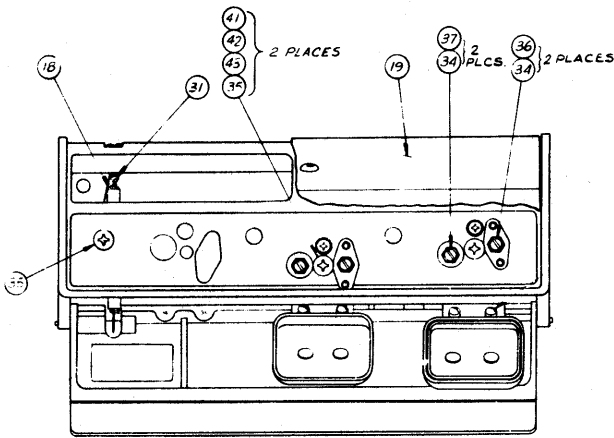
ITEM NO.	AMPEX PART NO.	REFERENCE NUMBER	DESCRIPTION	JEDEC NO. OR MFR. PART NO.
1	4350013-02		GATE	
3	4350026-01		SHIELD COVER ASSY, 1/4" TAPE	
4	4350027-01		SHIELD COVER ASSY, 2-4 TRACK	
5	4350028-01		SHIELD COVER ASSY, 1/4" TAPE	
6	4270155-10		PLATE	
7	406-046		PIN, "ROLLPIN", 0.062 DIA X 1.00 LG	
8	471-478		SCREW, MACH, FL HD, SLOTTED, NO. 4-40 X 3/16	
9	502-002		WASHER, LOCK, SPRING, NO. 4	
10	4350026-02		SHIELD COVER ASSY, 1/2" TAPE	
11	4350028-02		SHIELD COVER ASSY, 1/2" TAPE	

VERSIONS: 4350029-05 1 TRACK
4350029-06 2 TRACK
4350029-09 4 TRACK

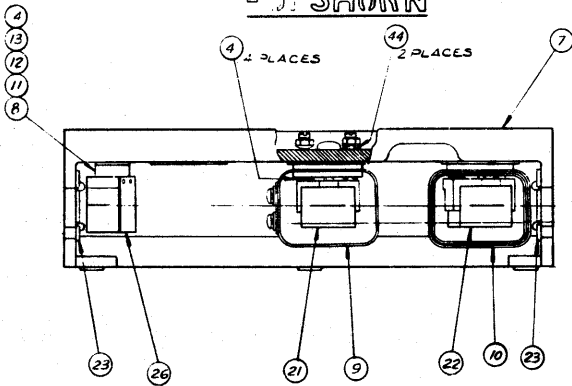


NEXT HIGHER ASSEMBLY NO. 4010204

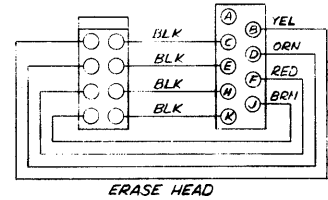
ITEM NO.	AMPEX PART NO.	REFERENCE NUMBER	DESCRIPTION	JEDEC NO. OR MFR. PART NO.
1	4050446-04		HEAD CONNECTOR ASSY	
4	4270167-10		SPRING, HEAD ADJUST	
7	4350017-03		BASE, HEAD MOUNTING	
8	4350019-02		SPACER, ERASE HEAD	
9	4350022-04		RECORD SHIELD CAN ASSY, POS, NO. 3	
10	4350024-02		PLAYBACK SHIELD CAN ASSY, POS, NO. 4	
11	4350025-01		SHIM ERASE HEAD 0.010 THK	
12	4350025-02		SHIM ERASE HEAD	
13	4350025-03		SHIM, ERASE HEAD, 0.003 THK	
14	4350025-04		SHIM, ERASE HEAD, 0.005 THK	
16	4350029-09		HEAD GATE ASSY	
18	4350035-01		SPRING, EXTENSION HEAD GATE	
19	4350038-01		OVERLAY ASSY, HEAD HOUSING	
21	4350096-01		HEAD STACK ASSY, 4 CHANNEL, REC, 4 TRACK	
22	4350096-02		HEAD STACK ASSY, 4 CHANNEL, P/B, 4 TRACK	
23	4350188-01		TAPE GUIDE ASSY	
26	1231888-04		ERASE HEAD ASSY, 1/2", 4 TRACK	
31	401-008		PIN, COTTER, 1/16 DIA X 3/4 LG	
32	403-006		PIN, "DRIV-LOK", TYPE C, 3/32 DIA	
33	470-425		SCREW, CAP, HEX SOC, BUT HD, NO. 4-40 X 1/4	
34	471-481		SCREW, MACH, FILL HD, SLOT, NO. 4-40 X 5/8	
35	473-098		SCREW, MACH, PN HD, XREC, NO. 10-32 X 7/16	
36	492-008		NUT, HEX, NO. 4-40	
37	493-001		NUT, SELF-LOCKING, HEX, NO. 4-40	
41	501-054		WASHER, FLAT, 0.203 DIA X 0.375 OD X 0.005 THK	
42	501-057		WASHER, FLAT, 0.203 ID X 0.375 OD X 0.010 THK	
43	501-064		WASHER, FLAT, 0.203 ID X 0.375 OD X 0.003 THK	
44	502-062		WASHER, LOCK, DOUBLE COIL, NO. 4	
VERSION: 4020356-01				



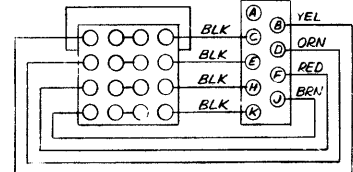
AS SHOWN



GATE ASSY (ITEM 9) OMITTED FOR DRAWING CLARITY



ERASE HEAD



P/B HEAD & REC HEAD

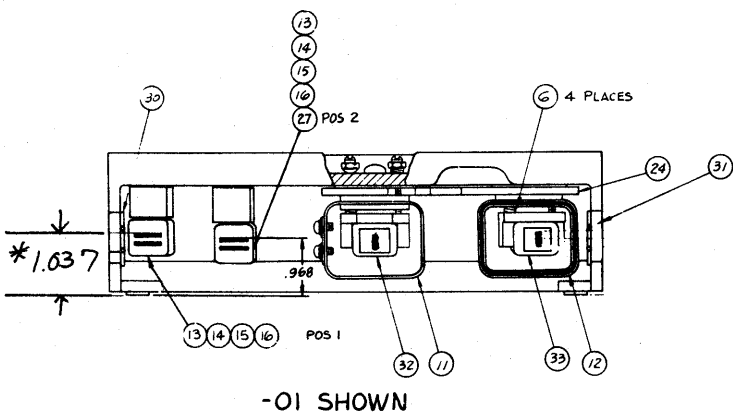
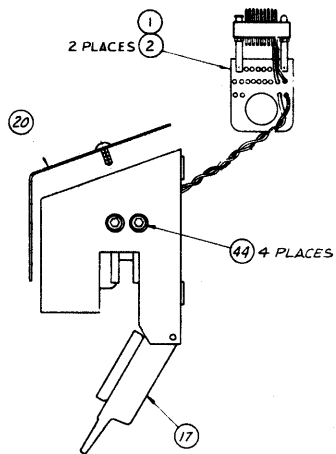
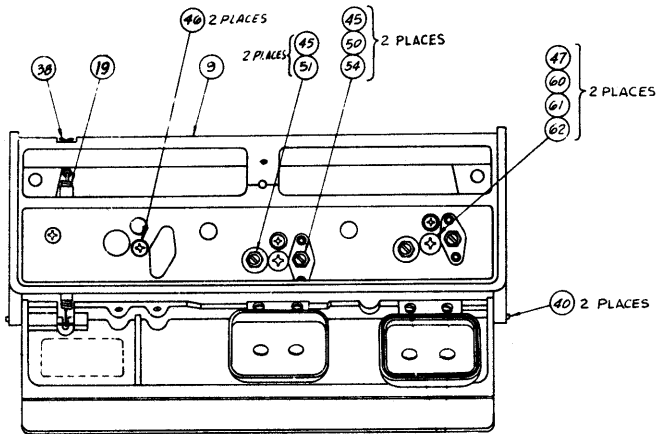
WIRING DIAGRAM

Assembly No. 4020356, 4 Track Head Assembly, 1/2-Inch Tape

NEXT HIGHER ASSEMBLY NO. 4010204

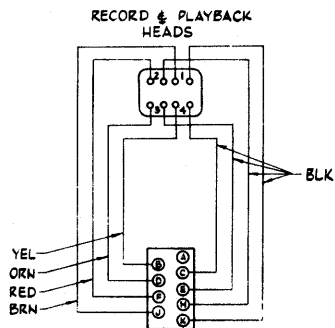
ITEM NO.	AMPEX PART NO.	REFERENCE NUMBER	DESCRIPTION	JEDEC NO. OR MFR. PART NO.
1	4050446-04		HEAD CONNECTOR ASSY	
2	4050446-05		HEAD CONNECTOR ASSY	
6	4270167-10		SPRING, HEAD	
9	4350017-03		BASE, HEAD MOUNTING	
11	4350022-03		SHIELD, CAN ASSY, REC POS 3	
12	4350024-01		SHIELD, CAN ASSY, P/B, POS 4	
13	4350025-01		SHIM, ERASE HEAD, .010 THK	
14	4350025-02		SHIM, ERASE HEAD, .002 THK	
15	4350025-03		SHIM, ERASE HEAD, .003 THK	
16	4350025-04		SHIM, ERASE HEAD, .005 THK	
17	4350029-05		HEAD GATE ASSY	
19	4350035-01		SPRING, HEAD GATE	
20	4350038-01		OVERLAY ASSY, HEAD HOUSING	
24	4350063-01		SPACER, HEAD, 1/4" TAPE	
26	4350117-01		ERASE HEAD ASSY, TR 1 AND 3	
27	4350117-02		ERASE HEAD ASSY, TR 2 AND 4	
30	4350184-01		TAPE GUIDE ASSY, 1/4"	
31	4350184-02		TAPE GUIDE ASSY, 1/4"	
32	4350194-01		HEAD STACK ASSY, RECORD	
33	4350194-02		HEAD STACK ASSY, REPRO	
38	401-008		PIN, COTTER, 0.062 DIA X 0.750 LG	
40	403-006		PIN, GROOVED, HEADLESS, 0.094 DIA X 0.625 LG	
44	470-425		SCREW, HEX SOC, NO. 4-40 X 1/4 LG	
45	471-481		SCREW, FL HD, SLOT, NO. 4-40 X 5/8 LG	
46	471-088		SCREW, PN HD, XREC, NO. 10-32 X 3/4 LG	
47	473-156		SCREW, PN HD, XREC, NO. 10-32 X 9/16 LG	
50	492-008		NUT, HEX, NO. 4-40	
51	493-001		NUT, HEX, SELF LOCKING, NO. 4-40	
54	502-062		WASHER, LOCK, DOUBLE COIL	
60	501-054		SHIM, 0.203 ID X 0.375 OD X 0.005 THK	
61	501-057		SHIM, 0.203 ID X 0.375 OD X 0.10 THK	
62	501-064		SHIM, 0.203 ID X 0.375 OD X 0.003 THK	

VERSION: 4020359-01

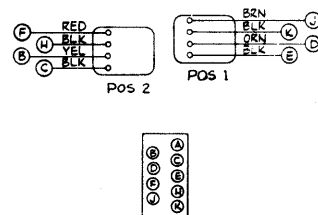


-OI SHOWN

* 1.031 FOR RECORD + PLAY



EKASE HEADS

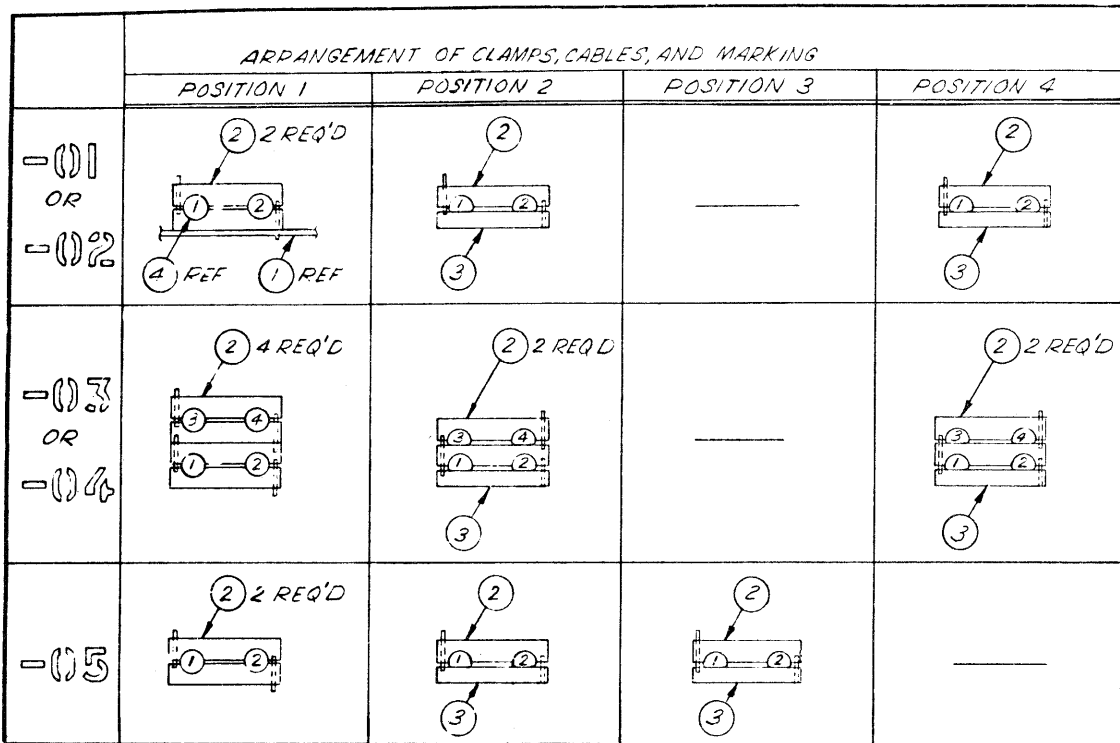


WIRING DIAGRAM OF HEADS

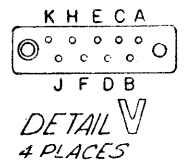
Assembly No. 4020359, 4 Track Head Assembly, 1/4-Inch Tape

NEXT HIGHER ASSEMBLY NO. 4010202, 4010203, 4010204

ITEM NO.	AMPEX PART NO.	REFERENCE NUMBER	DESCRIPTION	JEDEC NO. OR MFR. PART NO.
1	4040947-02		BRACKET, HEAD CABLE MOUNTING	
2	4040951-01		CLAMP ASSY, CABLE	
3	4040952-01		CLAMP ASSY, CABLE PLAYBACK	
4	4050143-60		HEAD CABLE ASSY, ERASE	
5	4050445-01		HEAD CABLE ASSY, REPRODUCE	
6	4050651-01		HEAD CABLE ASSY, RECORD	
7	4041090-01		SHIELD, 2-4 TRACK	
8	4260110-01		BRACKET, HEAD SWITCH	
9	4290644-01		COVER, HEAD CABLE	
13	4350034-01		ROD, CONNECTING, 2-4 TRACK	
15	4600055-01		SHIELD, HEAD SWITCH, 2-4 TRACK	
16	4620124-20		SWITCH, SLIDE, 2-4 TRACK	
21	143-301		CONNECTOR, RECT RECP, 9 SOCKET	
22	180-983		STRIP, TERMINAL	
29	471-060		SCREW, PN HD, PHILL, XREC, NO. 4-40 X 0.250 LG	
30	471-069		SCREW, PN HD, PHILL, XREC, NO. 6-32 X 0.375 LG	
32	476-200		SCREW, SELF-TAP, HEX WASH HD, NO. 6 X 0.188 LG	
33	493-001		NUT, SELF-LOCKING, HEX, NO. 4-40	
34	493-007		NUT, SELF-LOCKING, NO. 8-32	
35	496-005		NUT, KEP, NO. 6-32	
38	501-009		WASHER, FLAT, NO. 6	
39	501-010		WASHER, FLAT, NO. 8	
VERSION: 4050653-01 1 TRACK 4050653-02 2 TRACK 4050653-04 4 TRACK 4050653-05 2-4 TRACK				



- (1) 1 THRU
3 PLACES (



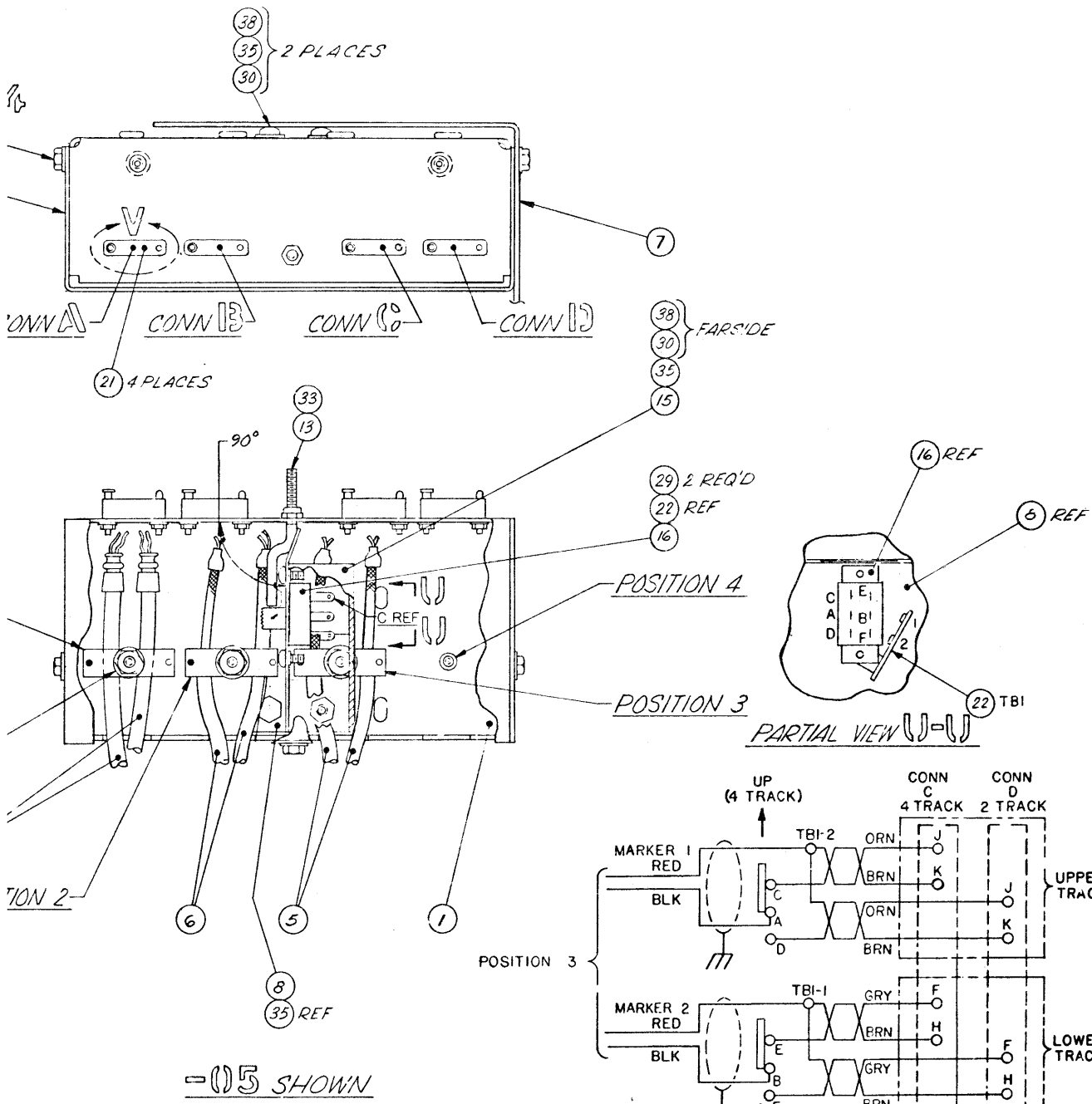
POSITION.

		CONN A	
ITEM NO.	MARKER NO.	WIRE COLOR	PIN LETTER
(4) (ERASE)	1	WHT	J
		BLK	K
	2	WHT	F
		BLK	H
	3	WHT	D
		BLK	E
	4	WHT	B
		BLK	C

		CONN D	
ITEM NO.	MARKER NO.	WIRE COLOR	PIN LETTER
(5) (REP)	1	RED	J
		BLK	K
	2	RED	F
		BLK	H
	3	RED	D
		BLK	E
	4	RED	B
		BLK	C

		CONN B	
ITEM NO.	MARKER NO.	WIRE COLOR	PIN LETTER
(6) (REC)	1	RED	J
		BLK	K
	2	RED	F
		BLK	H
	3	RED	D
		BLK	E
	4	RED	B
		BLK	C

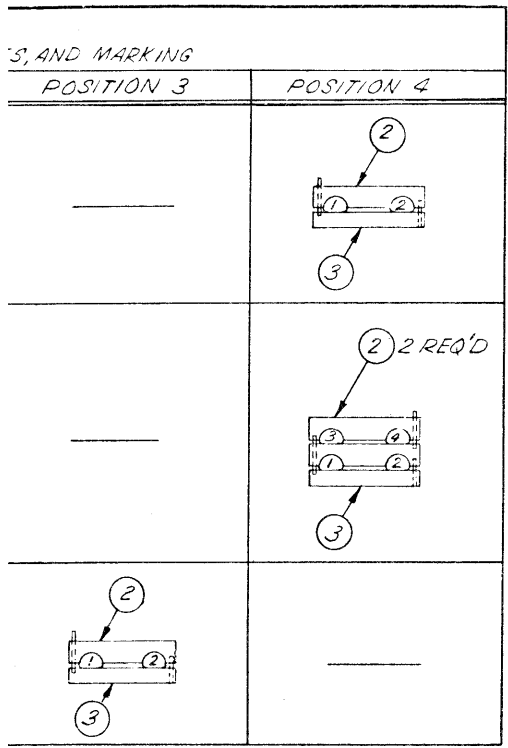
- (1) 5 ONLY
 FOR HOOKUP TO
 CONNECTORS C & D
 SEE SCHEMATIC



- (1) 5 SHOWN

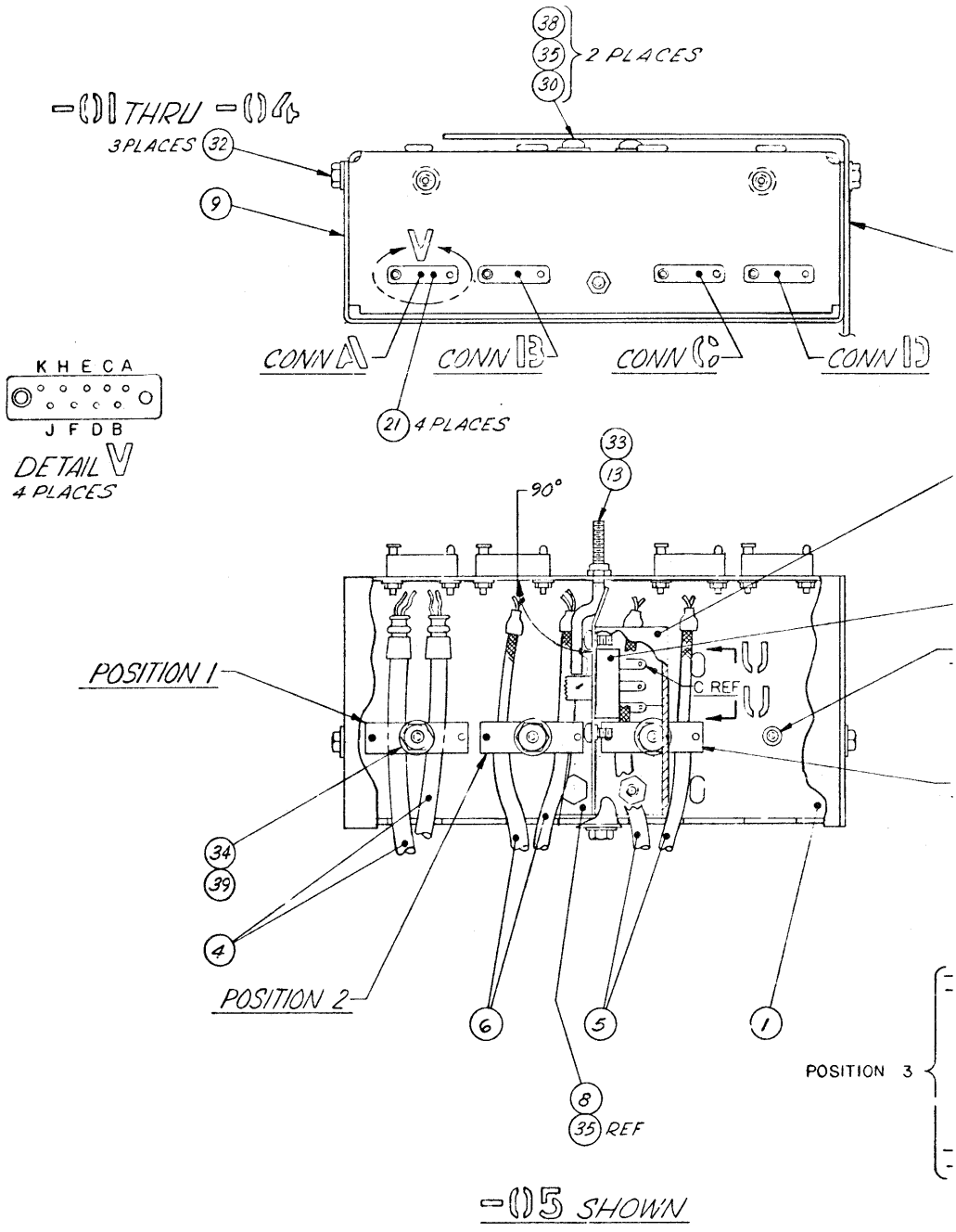
SCHEMATIC
- (1) 5 ONLY

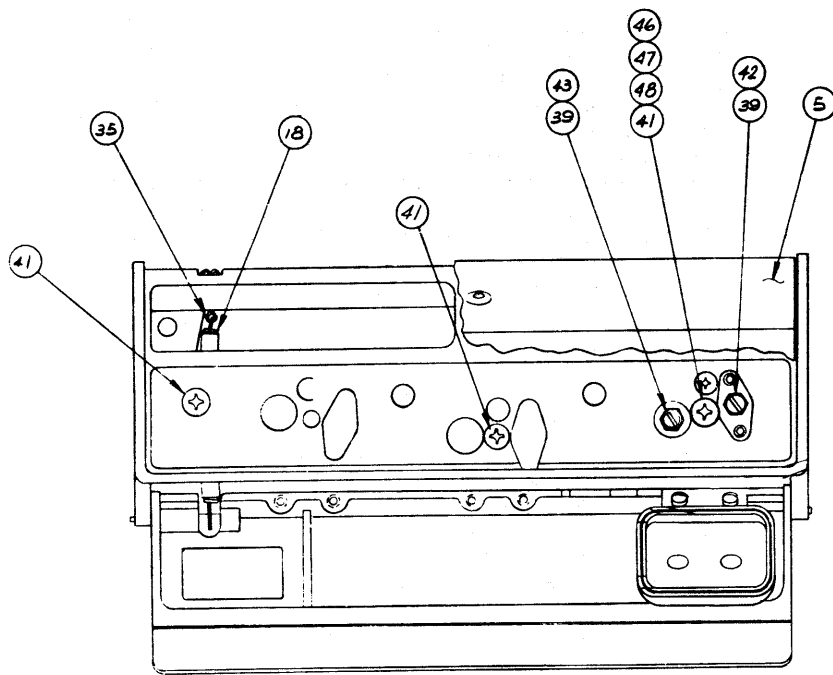
Assembly No. 4050653
Head Cable Mounting Box Assembly



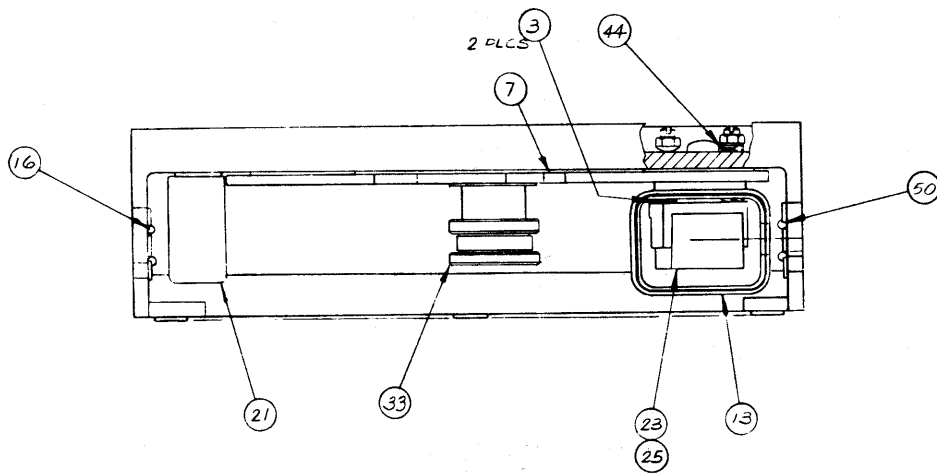
MARKER NO.	WIRE COLOR	CONN D
		PIN LETTER
1	RED	J
	BLK	K
2	RED	F
	BLK	H
3	RED	D
	BLK	E
4	RED	B
	BLK	C

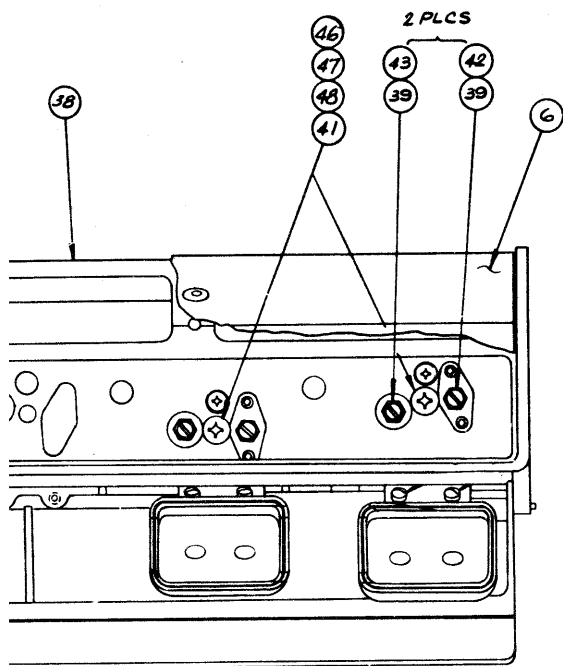
-05 ONLY
 FOR HOOKUP TO
 CONNECTORS C & D
 SEE SCHEMATIC



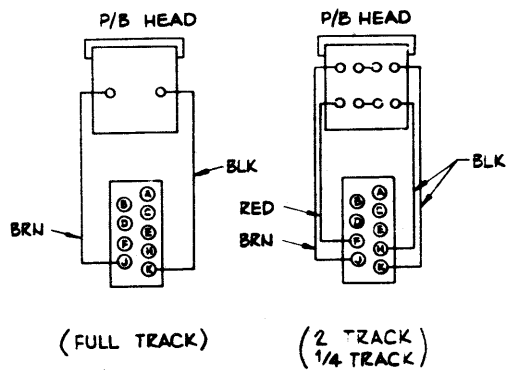
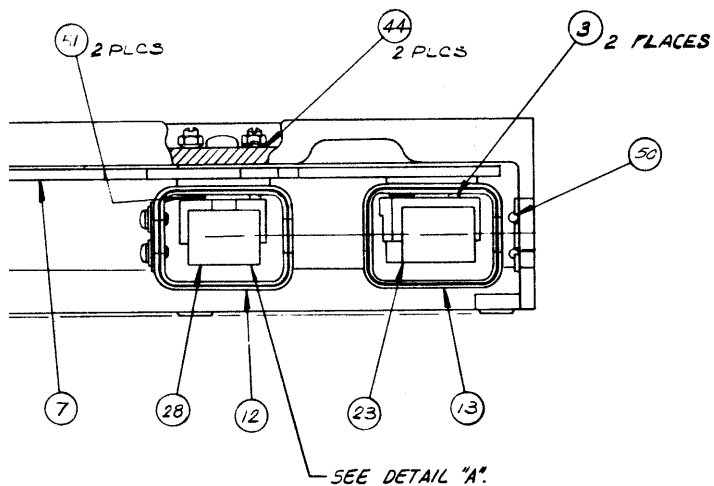
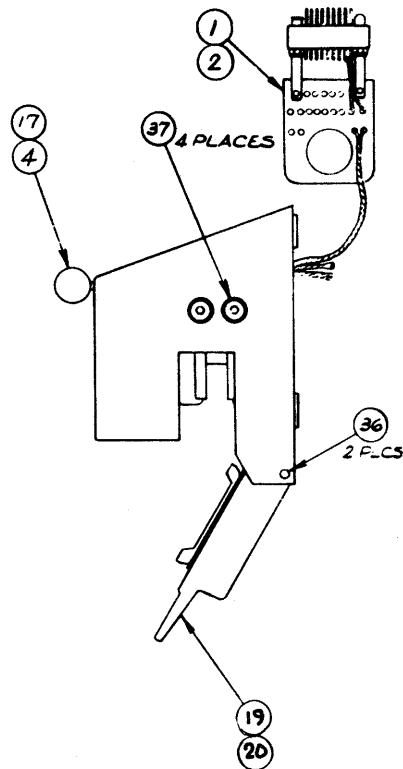


-04, -05



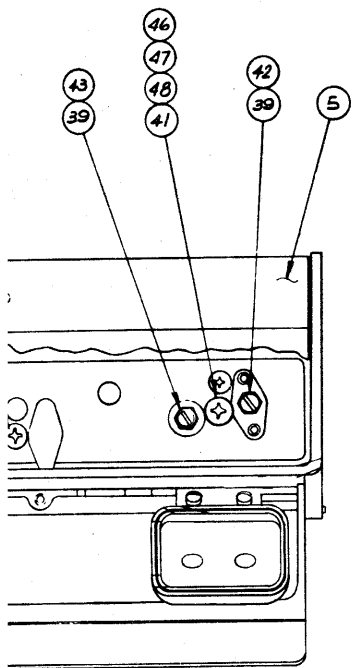


-06

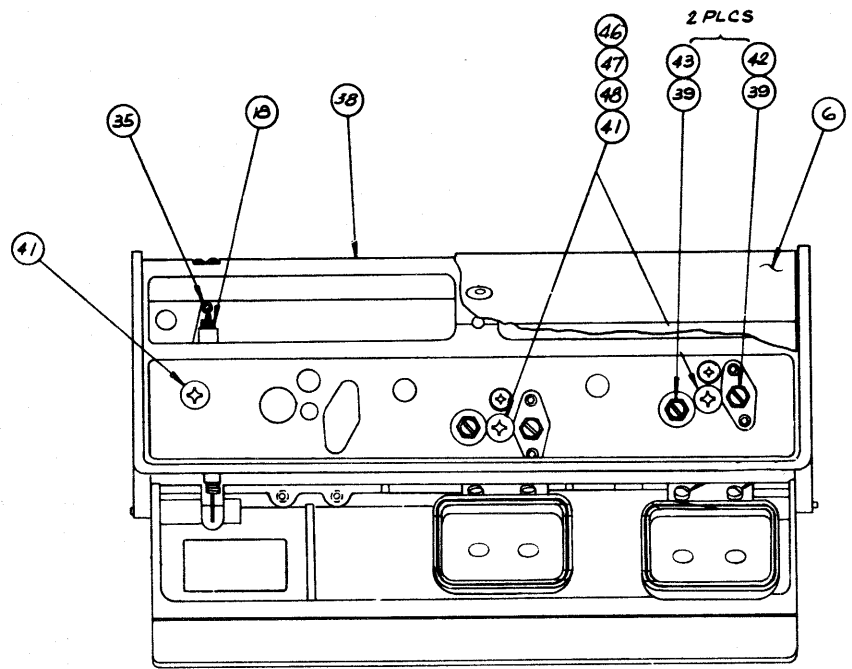


WIZING DIAGRAM

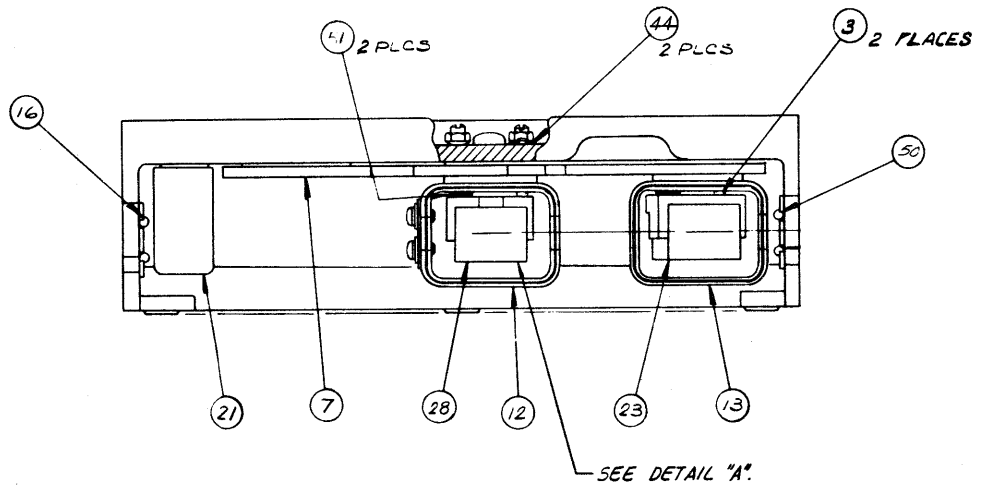
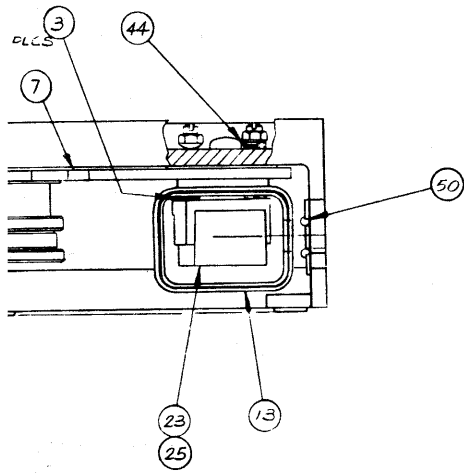
1 Track, 2 Track and 2-4 Track Head
Assemblies for 1/4" Tape
Assy No. 4020355



-05



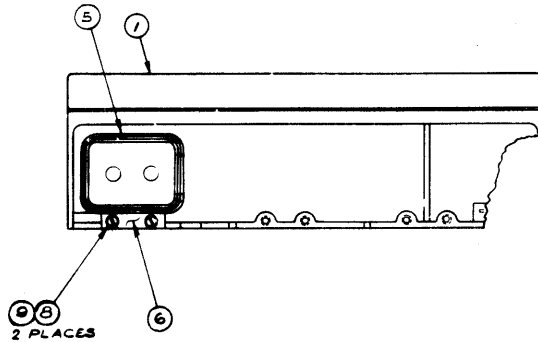
-06



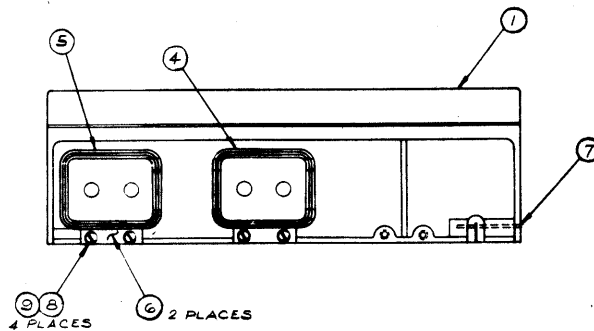
NEXT HIGHER ASSEMBLY NO. 4010297, 4010208

ITEM NO.	AMPEX PART NO.	REFERENCE NUMBER	DESCRIPTION	JEDEC NO. OR MFR PART NO.
1	4050446-01		HEAD CONNECTOR ASSY, 1 TRACK ONLY	
2	4050446-02		HEAD CONNECTOR ASSY, 2 AND 2-4 TRACK	
3	4270167-10		SPRING, HEAD	
4	4350011-01		KNOB, 2-4 TRACK ONLY	
5	4350038-01		OVERLAY ASSEMBLY, HEAD HOUSING, 1 AND 2 TRACK ONLY	
6	4350038-02		OVERLAY ASSEMBLY, HEAD HOUSING, 2-4 TRACK ONLY	
7	4350016-01		SPACER, HEAD 1/4" TAPE	
12	4350023-03		SHIELD, CAN ASSY, P/B POS. NO. 3, 2-4 TRACK ONLY	
13	4350024-01		SHIELD CAN ASSY, P/B POS. NO. 4	
16	4350184-01		TAPE GUIDE ASSY, 1/4"	
17	4210313-01		SHAFT, SWITCH 2-4 TRACK ONLY	
18	4350035-01		SPRING, HEAD GATE	
19	4350029-07		HEAD GATE ASSY, 1 AND 2 TRACK ONLY	
20	4350029-08		HEAD GATE ASSY, 2-4 TRACK ONLY	
21	4210136-01		POST, DUMMY HEAD	
23	4350094-22		HEAD STACK ASSY, P/B 2 TRACK	
25	4350095-02		HEAD STACK ASSY, 1 TRACK	
28	4350068-03		HEAD STACK ASSY. <i>1/4 TRACK SPAN 50 R 02/10</i>	
33	4210193-30		GUIDE, TAPE, 1 AND 2 TRACK ONLY	
35	401-008		PIN, COTTER, 1/16 DIA X 3/4 LG	
36	403-006		PIN, 'DRIV-LOK', 3/32 DIA, TYPE C	
37	470-425		SCREW, HEX SOC. BUT. HD. NO. 4-40 X 1/4	
39	471-481		SCREW, FILL. HD. SLOT, NO. 4-40 X 5/8	
41	473-156		SCREW, PAN HD. XREC, NO. 10-32 X 9/16	
42	492-008		NUT, HEX, NO. 4-40	
43	493-001		NUT, SELF LOCKING, NO. 4-40	
44	502-062		LOCKWASHER, DOUBLE COIL, NO.4	
46	501-054		WASHER, FLAT, 0.203 ID X 0.375 OD X 0.005 THK.	
47	501-057		WASHER, FLAT, 0.203 ID X 0.375 OD X 0.010 THK.	
48	501-064		WASHER, FLAT, 0.203 ID X 0.375 OD X 0.003 THK.	
50	4350184-02		TAPE GUIDE ASSY, 1/4"	
51	4270167-40		SPRING, HEAD, 2 AND 2-4 TRACK	
			VERSIONS: 4020355-04, 1 TRACK 4020355-05, 2 TRACK 4020355-06, 2 CHANNEL, 2-4 TRACK	

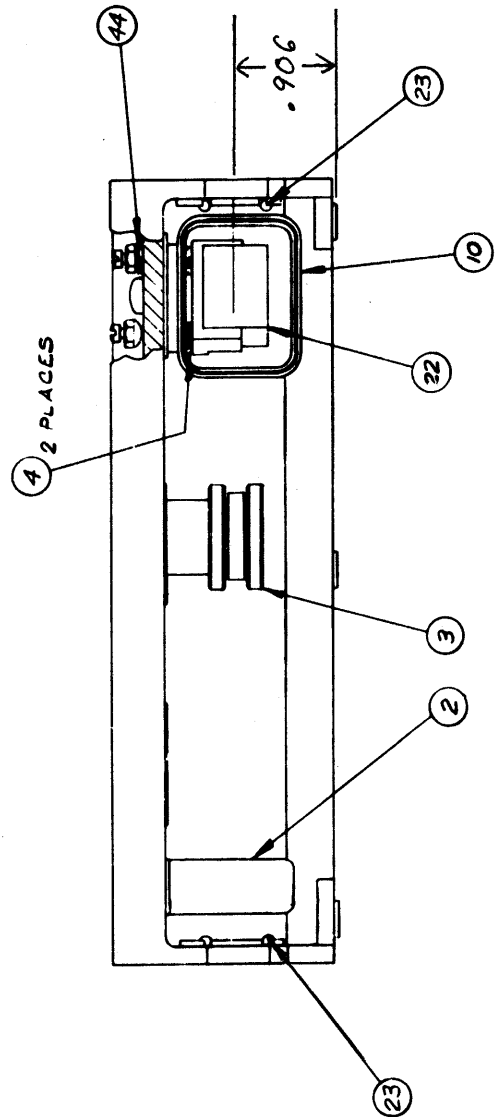
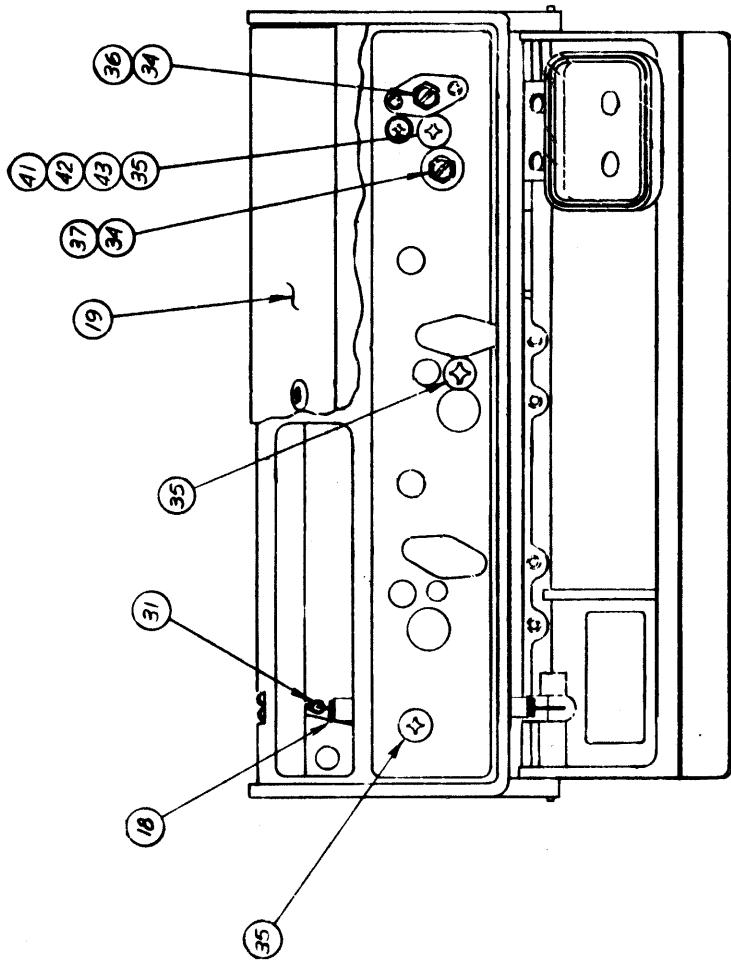
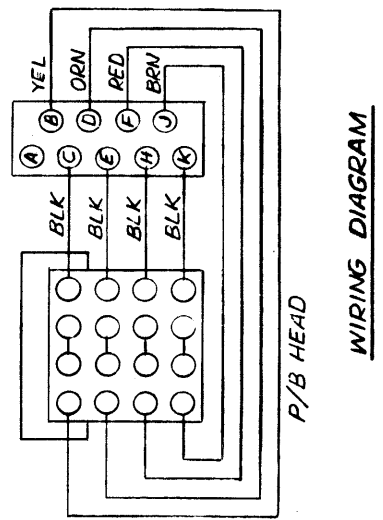
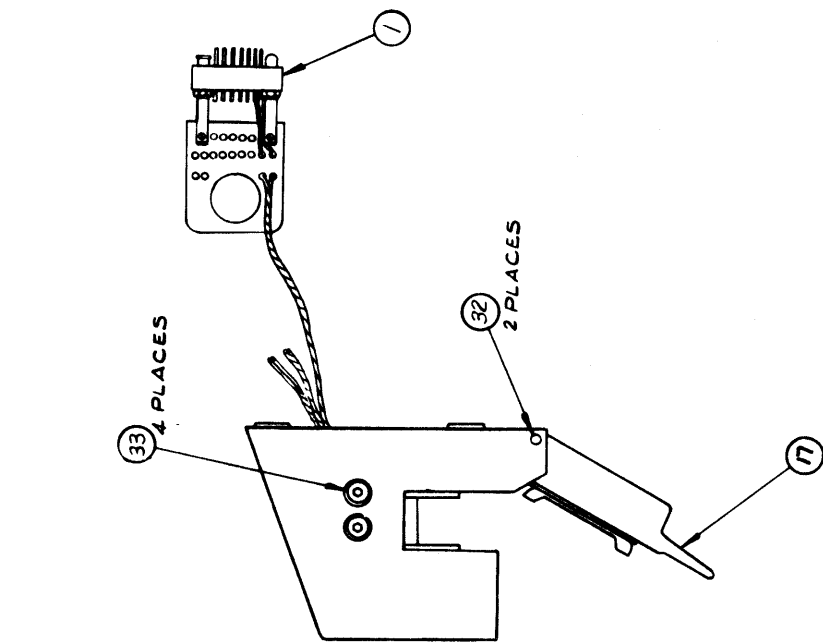
ITEM NO.	AMPEX PART NO.	REFERENCE NUMBER	DESCRIPTION	JEDEC NO. OR MFR PART NO.
1	4350018-02		GATE	
4	4350027-01		SHIELD COVER ASSY.	
5	4350028-01		SHIELD COVER ASSY.	
6	4270155-10		PLATE	
7	406-046		PIN, "ROLLPIN", 0.062 DIA X 1.00 LG	
8	471-478		SCREW, MACH. FIL. HD. SLOTTED (NO. 4-40 X 3/16)	
9	502-002		WASHER, LOCK SPRING NO. 4	
			VERSION: 4350029-07, 1 AND 2 TRACK 4350029-08, 2-4 TRACK	



1 AND 2 TRACK



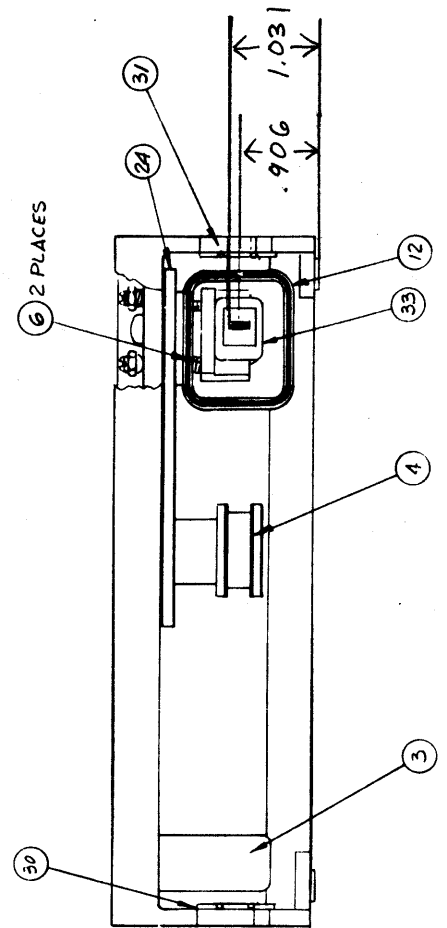
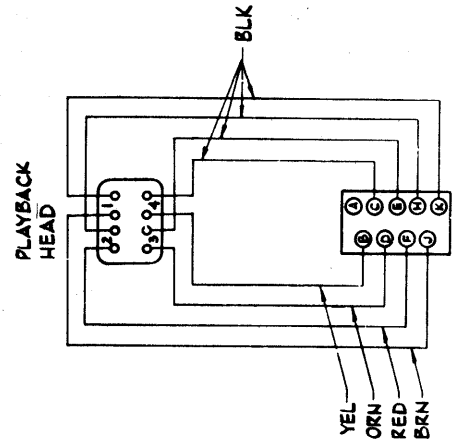
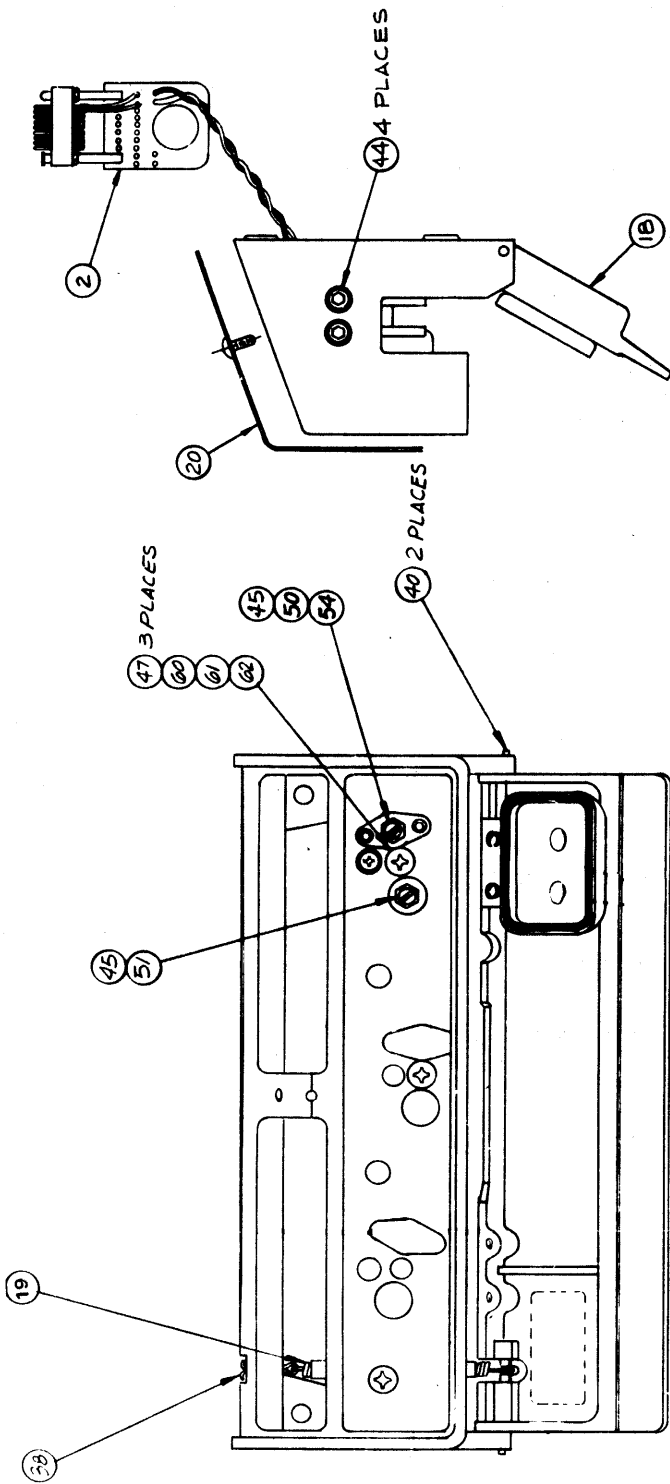
2-4 TRACK



4 Track Head Assembly for 1/2" Tape
Assy No. 4020356

NEXT HIGHER ASSEMBLY NO. 4010209

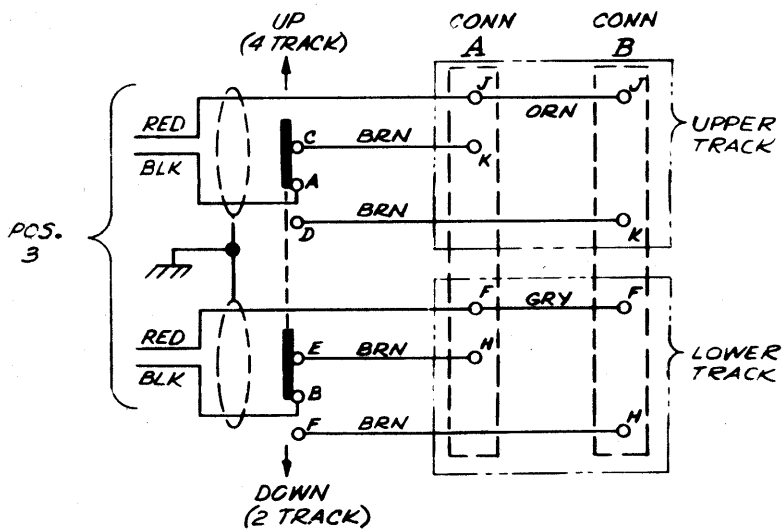
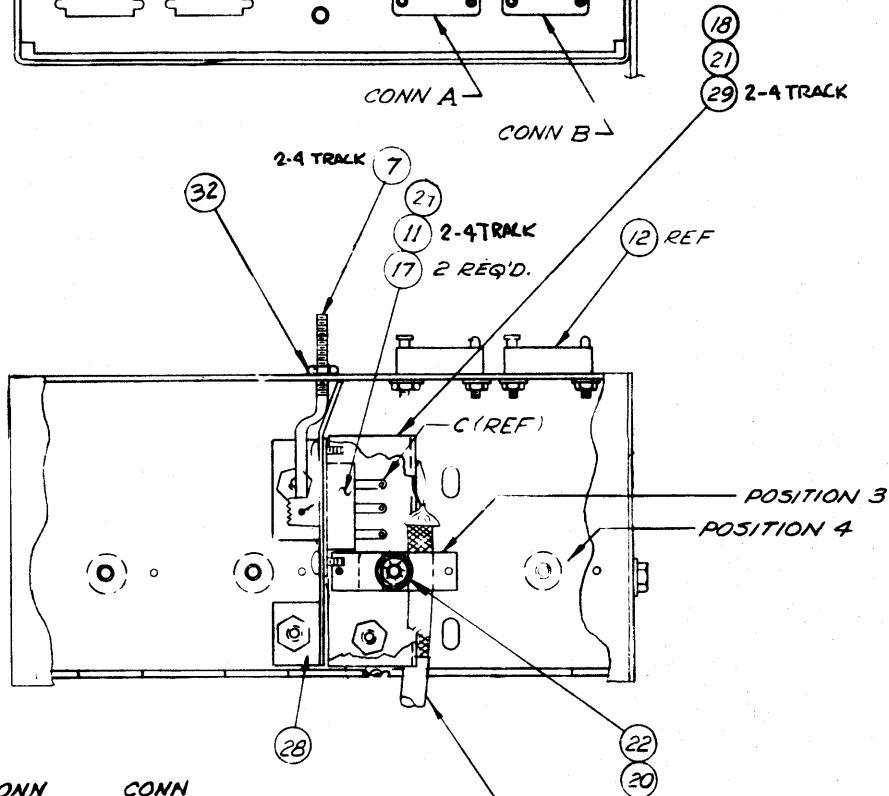
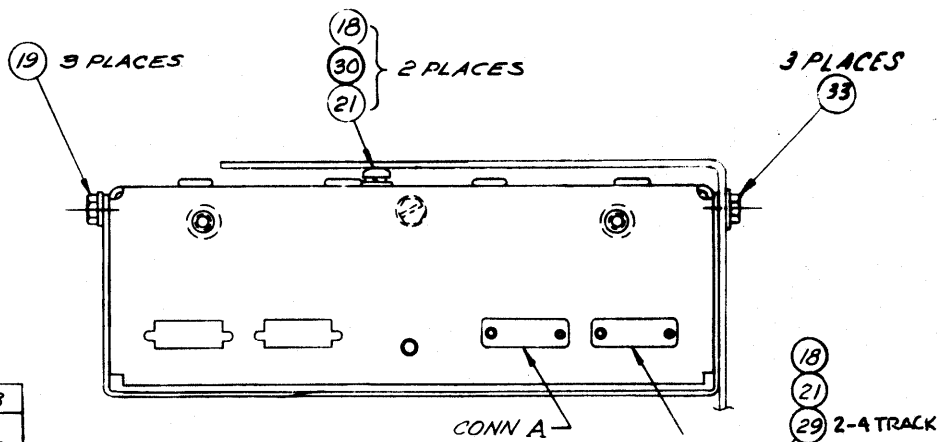
ITEM NO.	AMPEX PART NO.	REFERENCE NUMBER	DESCRIPTION	JEDEC NO. OR MFR PART NO.
1	4050446-04		HEAD CONNECTOR ASSY.	
2	4210136-01		POST, DUMMY HEAD	
3	4210193-40		GUIDE, TAPE	
4	4270167-10		SPRING, HEAD ADJUST	
10	4350024-02		SHIELD CAN ASSY, P/B POS. NO. 4	
11	4350025-01		SHIM, ERASE HEAD 0.010 THK	
12	4350025-02		SHIM, ERASE HEAD, 0.002 THK	
13	4350025-03		SHIM, ERASE HEAD, 0.003 THK	
14	4350025-04		SHIM, ERASE HEAD, 0.005 THK	
16	4350029-09		GATE ASSY. HEAD	
17	4350029-10		HEAD GATE ASSY	
18	4350035-01		SPRING, EXTENSION HEAD GATE	
19	4350038-01		OVERLAY ASSY HEAD HOUSING	
22	4350096-02		HEAD STACK ASSY, 4 CHANNEL P/B 4 TRACK	
23	4350188-01		TAPE GUIDE ASSY	
31	401-008		PIN, COTTER, 1/16 DIA. X 3/4 LG	
32	403-006		PIN, "DRIV-LOK", TYPE C 3/32 DIA.	
33	470-425		SCREW, CAP, HEX, SOC. BUT. HD, NO. 4-40 X 1/4	
34	471-481		SCREW, MACH, FILL. HD. SLOT., NO. 4-40 X 5/8	
35	473-098		SCREW, MACH. PAN HD. XREC., NO. 10-32 X 7/16	
36	492-008		NUT, HEX, NO. 4-40	
37	493-001		NUT, SELF LOCKING, HEX, NO. 4-40	
41	501-054		WASHER, 0.203 DIA X 0.375 OD X 0.005 THK, FLAT	
42	501-057		WASHER, 0.203 ID X 0.375 OD X 0.010 THK, FLAT	
43	501-064		WASHER, 0.203 ID X 0.375 OD X 0.003 THK, FLAT	
44	502-062		WASHER, LOCK, DOUBLE COIL, NO. 4	
			VERSION: 4020356-02	



4 Track Head Assembly for 1/4" Tape
 Assy No. 4020359

ITEM NO.	AMPEX PART NO.	REFERENCE NUMBER	DESCRIPTION	JEDEC NO. OR MFR PART NO.
2	4050446-05		HEAD CONNECTOR ASSY	
3	4210136-01		POST, DUMMY HEAD	
4	4210193-30		GUIDE, TAPE	
6	4270167-10		SPRING, HEAD	
12	4350024-01		SHIELD CAN ASSY, P/B, POS NO. 4	
13	4350025-01		SHIN, ERASE HEAD, 0.010 THK	
14	4350025-02		SHIN, ERASE HEAD, 0.002 THK	
15	4350025-03		SHIN, ERASE HEAD, 0.003 THK	
16	4350025-04		SHIN, ERASE HEAD, 0.005 THK	
18	4350029-07		HEAD GATE ASSY.	
19	4350035-01		SPRING, HEAD GATE	
20	4350038-01		OVERLAY ASSY, HEAD HOUSING	
24	4350063-01		SPACER, HEAD, 1/4" TAPE	
30	4350184-01		TAPE GUIDE ASSY 1/4"	
31	4350184-02		TAPE GUIDE ASSY 1/4"	
33	4350194-02		HEAD STACK ASSY, REPRO.	
38	401-008		PIN, COTTER, 0.062 DIA X 0.750 LG	
40	403-006		PIN, GROOVED, HEADLESS, 0.094 DIA X 0.625 LG	
44	470-425		SCREW, HEX SOC, NO. 4-40 X 1/4 LG	
45	471-481		SCREW, FIL. HD, SLOT, NO. 4-40 X 5/8 LG	
47	473-156		SCREW PAN HD, XREC, NO. 10-32 X 9/16 LG	
50	492-008		NUT, HEX, NO. 4-40	
51	493-001		NUT, HEX SELF LOCKING, NO. 4-40	
54	502-062		LOCKWASHER, DOUBLE COIL	
60	501-054		SHIM, 0.203 I.D. X 0.375 O.D. X 0.005 THK	
61	501-057		SHIM, 0.203 I.D. X 0.375 O.D. X 0.10 THK	
62	501-064		SHIM, 0.203 I.D. X 0.375 O.D. X 0.003 THK	
			VERSION: 4020359-02	

ITEM NO.	MARKER NO.	WIRE COLOR	PIN LETTER	CONN B
⑥ (REP)	1	RED	J	
		BLK	K	
	2	RED	F	
		BLK	H	
	3	RED	D	
		BLK	E	
	4	RED	B	
		BLK	C	



SCHMATIC
2-4 TRACK

Head Cable Mounting Box Assembly
(1, 2 and 4 Channel)
Assy No. 4050448

NEXT HIGHER ASSEMBLY NO. 4010207, 4010206, 4010209

ITEM NO.	AMPEX PART NO.	REFERENCE NUMBER	DESCRIPTION	JEDEC NO. OR MFR PART NO.
2	4040951-01		CLAMP ASSY, CABLE	
3	4040952-01		CLAMP ASSY, PLAYBACK CABLE	
6	4050445-01		REPRODUCE, HEAD CABLE ASSY.	
7	4350034-01		ROD, SWITCH, U/O, 2-4 TRACK ONLY	
11	4620124-20		SWITCH, SLIDE, U/O 2-4 TRACK ONLY	
12	143-301		CONNECTOR, RECP, 9 SOCKET, RECTANGULAR	
17	471-060		SCREW, PAN HD, XREC, NO. 4-40 X 1/4	
18	471-069		SCREW, PAN HD, XREC, NO. 6-32 X 3/8	
19	476-200		SCREW, SELF TAP, HEX WASHER HD, NO. 6 X 3/16	
20	493-007		NUT, SELF LOCK, NO. 8-32	
21	501-009		WASHER, FLAT, NO. 6	
22	501-010		WASHER, FLAT, NO. 8	
27	180-983	TB1	STRIP, TERM, U/O 2 CHANNEL ONLY	
28	4260110-01		BRACKET, HEAD SWITCH	
29	4600055-01		SHIELD, HEAD SWITCH, U/ 2-4 TRACK ONLY	
30	496-005		NUT, KEP, NO. 6-32	
32	493-001		NUT, SELF LOCK, HEX, 4-40	
33	476-998		SCREW, SELF TAP, NO. 6 X 0.250	
			VERSIONS: 4050448-06 SINGLE CHANNEL 4050448-09 FOUR CHANNEL 4050448-11 2 CHANNEL	