

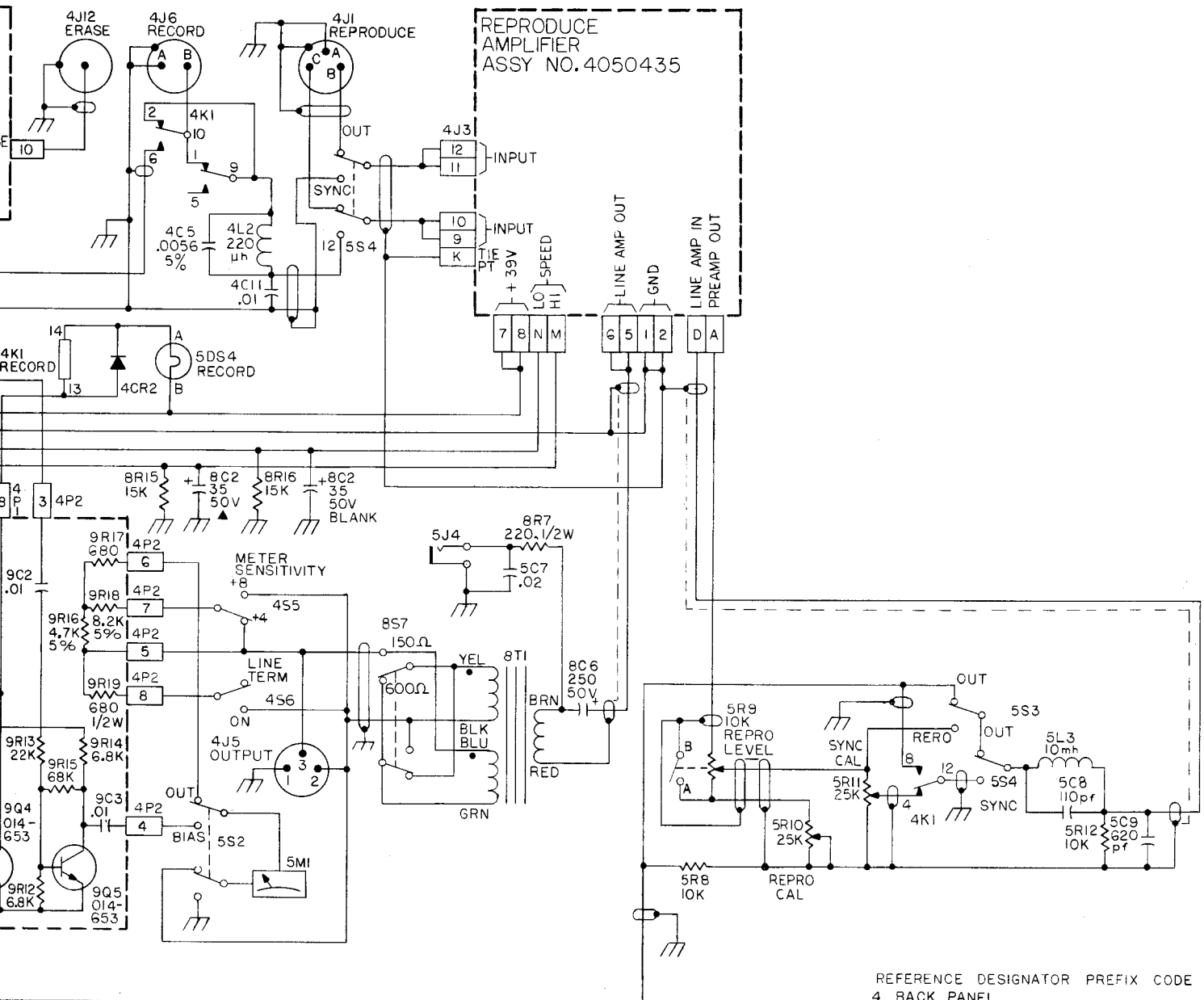
- NOTES UNLESS OTHERWISE SPECIFIED
- 1 ALL RESISTOR VALUES ARE IN OHMS, 1/4W, 10%
  - 2 ALL CAPACITOR VALUES ARE IN MICROFARADS AT INDICATED VOLTAGE
  - 3 ALL DIODES ARE TYPE O13-678
  - 4 SEE TABLE I FOR FIELD SERVICE TRANSISTOR

TABLE I  
FOR FIELD SERVICE ONLY

AMPEX PART NO.	NEAREST COM'L EQUIVALENT
O13-599	1N914
O14-364	2N2905A
O14-653	2N3904
O14-781	MPS 6518
O13-678	1N4385

LAST REF DES USED	
R16	P2
C11	CR2
DS4	VRI
L3	FI
T1	K1
M1	S7
J13	

REF DES NOT USED	
DS2	

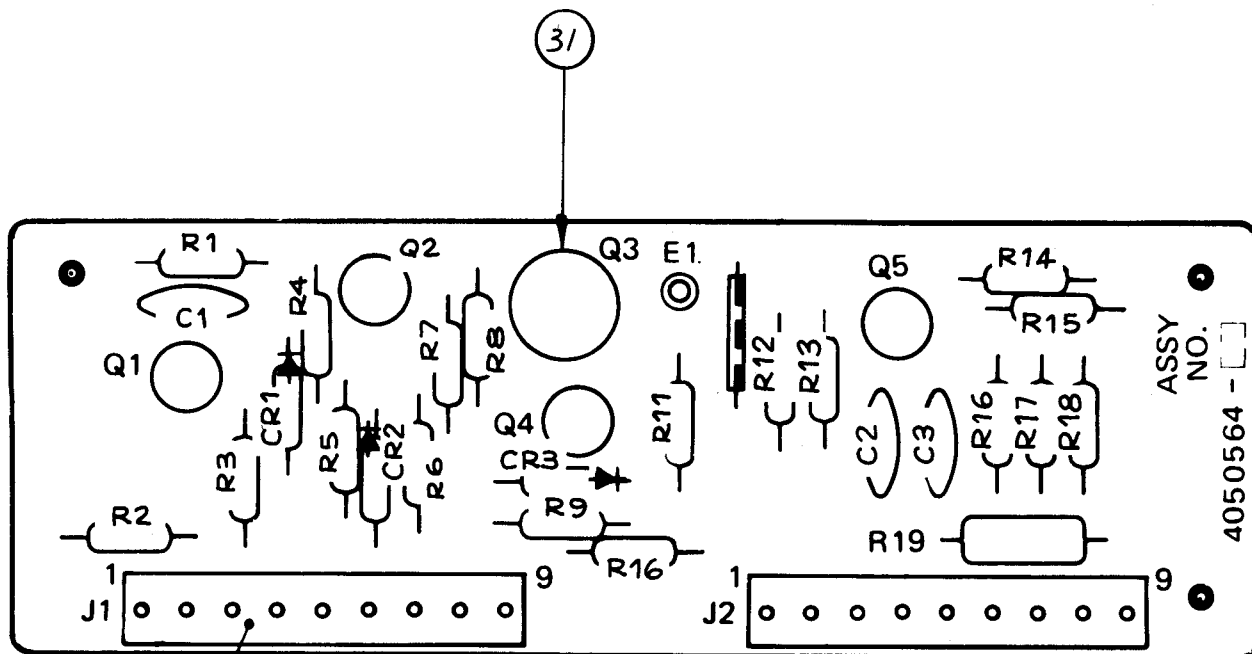


- REFERENCE DESIGNATOR PREFIX CODE
- 4 BACK PANEL
  - 5 FRONT PANEL
  - 6 TRANSPORT
  - 7 POWER SUPPLY
  - 8 SIDE PANELS
  - 9 RECORD CONTROL BOARD

EQUIVALENT
4
905A
104
5518
85

NOT USED

**Schematic No. 4840248**  
**Record/Reproduce Electronics and**  
**Record Control PWA**



Assembly No. 4050564, Record Control PWA

ASSEMBLY NO. 4050564B

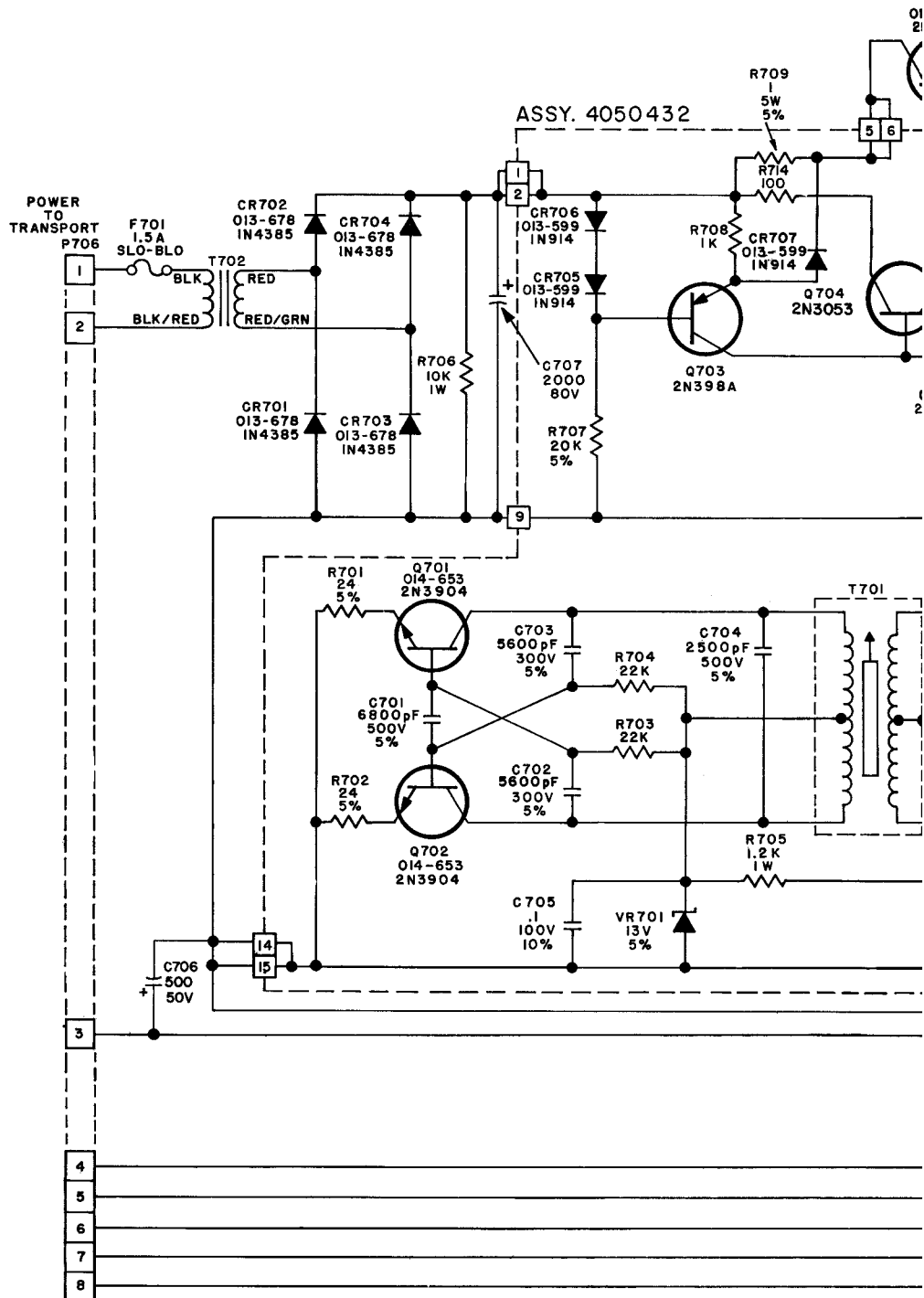
TITLE RECORD CONTROL PWA

SHEET 1 OF 1

NEXT HIGHER ASSEMBLY NO. 4020337

ITEM NO.	AMPEX PART NO.	REFERENCE NUMBER	DESCRIPTION	JEDEC NO. OR MFR. PART NO.
4	139-633	J1, 2	CONNECTOR, 9 PIN	
6	013-599	CR1, 2, 3	DIODE	1N914
8	014-364	Q3	TRANSISTOR	2N2905A
9	014-653	Q1, 4, 5	TRANSISTOR	2N3904
10	014-781	Q2	TRANSISTOR	MPS 6518-5
13	030-057	C1, 2, 3	CAPACITOR, CER, 0.01 UF, 100V, 20%	
16	041-046	R19	RESISTOR, COMP, 680 OHM, 1/2W, 10%	
17	041-412	R16	RESISTOR, COMP, 4.7K, 1/4W, 5%	
18	041-495	R18	RESISTOR, COMP, 8.2K, 1/4W, 5%	
19	041-626	R4	RESISTOR, COMP, 100K, 1/4W, 10%	
20	041-628	R15	RESISTOR, COMP, 68K, 1/4W, 10%	
21	041-630	R6, 8, 13	RESISTOR, COMP, 22K, 1/4W, 10%	
23	041-633	R1, 7, 9, 11	RESISTOR, COMP, 10K, 1/4W, 10%	
24	041-635	R12, 14	RESISTOR, COMP, 6.8K, 1/4W, 10%	
25	041-639	R2, 3, 10	RESISTOR, COMP, 2.2K, 1/4W, 10%	
27	049-334	R17	RESISTOR, COMP, 680 OHM, 1/4W, 10%	
28	049-372	R5	RESISTOR, COMP, 47K, 1/4W, 10%	
31	280-009		PAD, MOUNTING, TRANSISTOR	
32	4840248		SCHEMATIC	

VERSION: 4050564-01

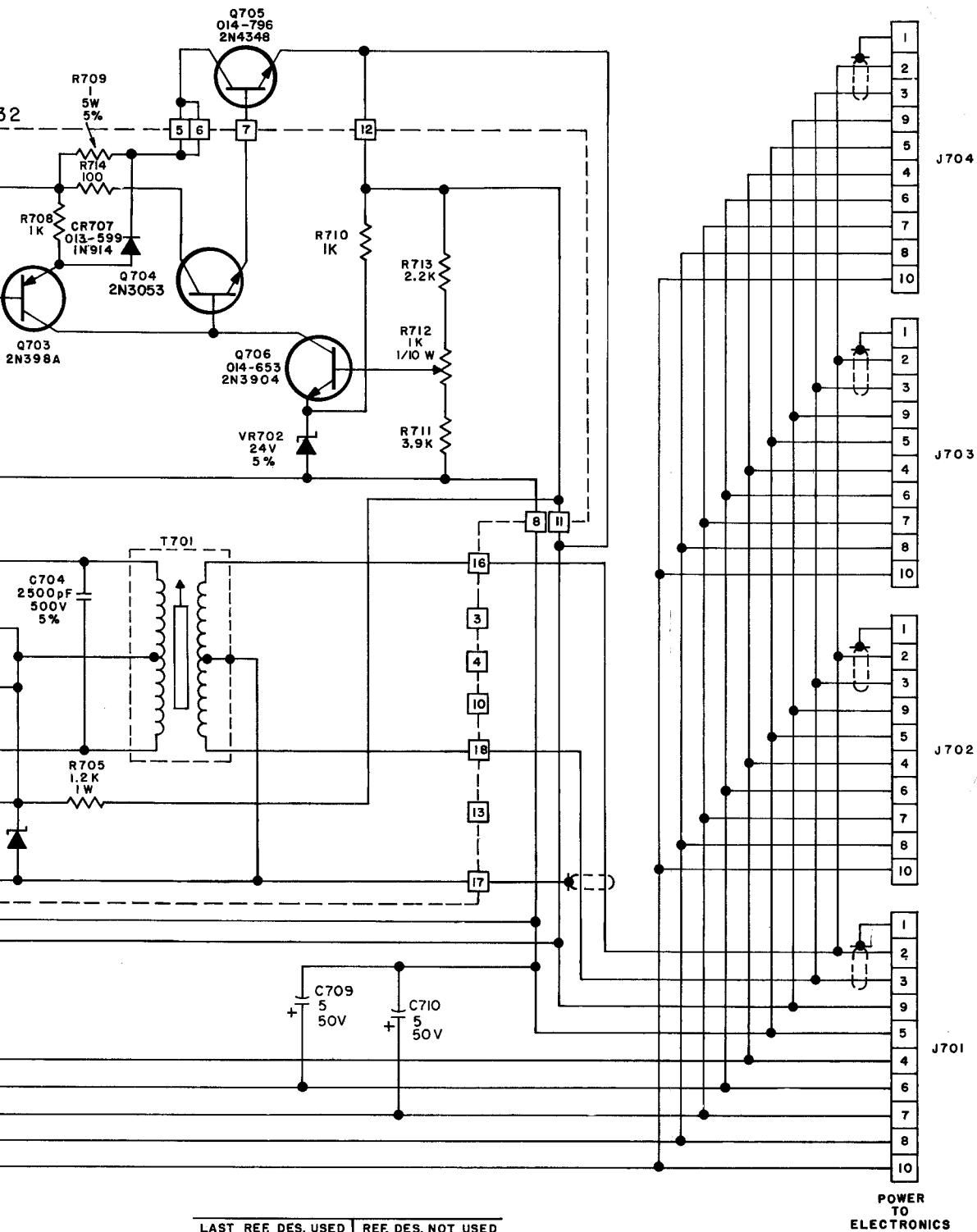


NOTES:

UNLESS OTHERWISE SPECIFIED

1. ALL CAPACITOR VALUES ARE IN MICROFARADS, RATINGS AS INDICATED.
2. ALL RESISTORS VALUES ARE IN OHMS, 1/2 WATT, 10%.

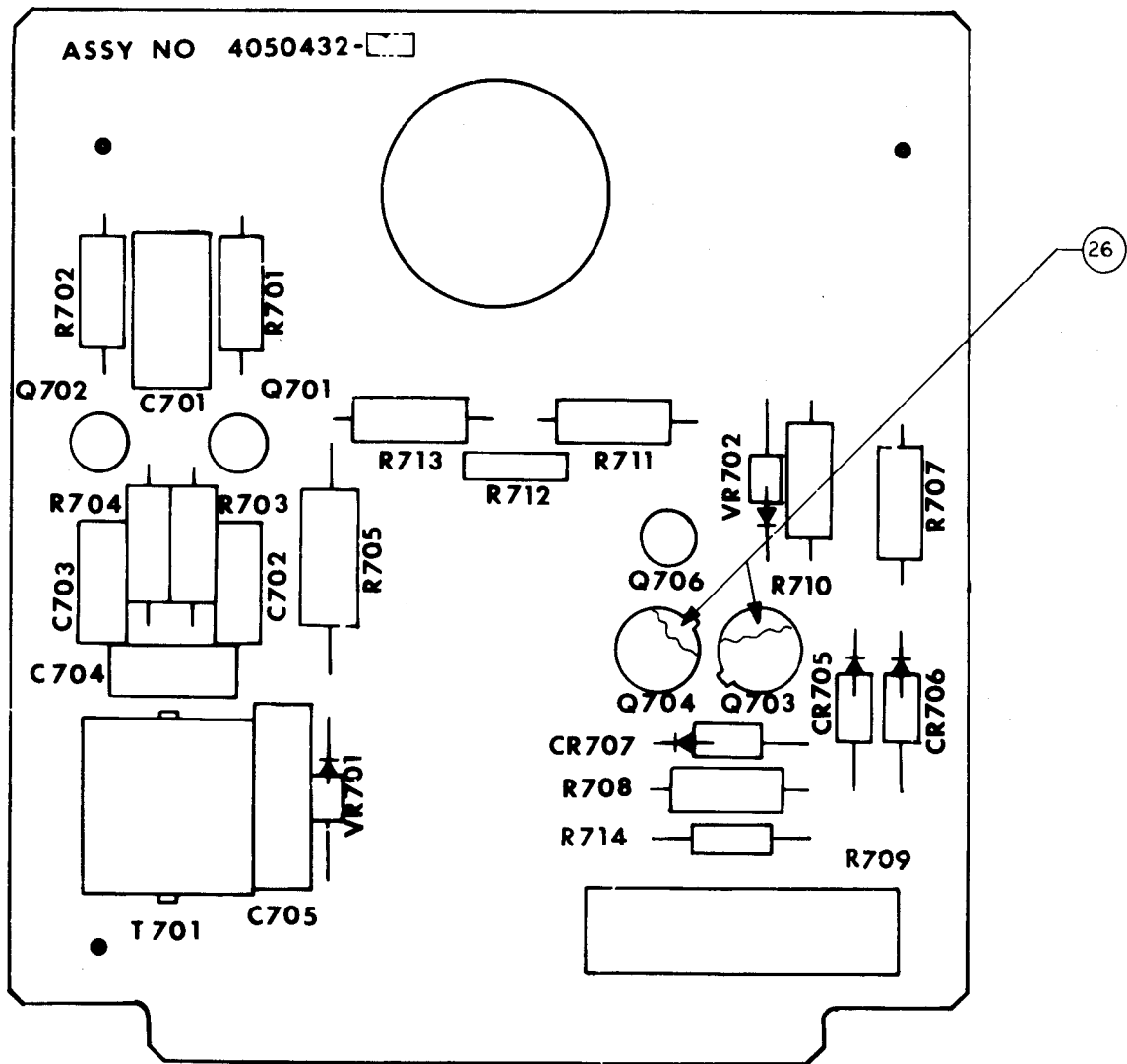
LAST



LAST REF. DES. USED	REF. DES. NOT USED
C710	C708
CR707	
Q706	
VR702	
T702	
R714	

Schematic No. 4840168  
Power Supply

-07



Assembly No. 4050432, Regulator and Oscillator PWA

ASSEMBLY NO. 4050432M

TITLE REGULATOR AND OSCILLATOR PWA

SHEET 1 OF 1

NEXT HIGHER ASSEMBLY NO. 4020274

ITEM NO.	AMPEX PART NO.	REFERENCE NUMBER	DESCRIPTION	JEDEC NO. OR MFR. PART NO.
2	4580123-01	T701	COIL, BIAS OSCILLATOR	
3	013-599	CR705, 706,707	DIODE	1N914
4	013-712	VR702	DIODE	LMAZ-24-OA
5	013-747	VR701	DIODE	2EZ13,OD5
6	014-590	Q704	TRANSISTOR	2N3053
7	014-653	Q701,702,706	TRANSISTOR	2N3904
9	014-704	Q703	TRANSISTOR	2N398A
11	034-994	C704	CAPACITOR, MICA, 2500 PF, 500V, 5%	
12	034-507	C702,703	CAPACITOR, MICA, 5600 PF, 300V, 5%	
15	041-055	R711	RESISTOR, FIXED, 3.9K, 1/2W, 10%	
16	041-064	R703, 704	RESISTOR, FIXED, 22K, 1/2W, 10%	
18	041-147	R705	RESISTOR, FIXED, 1.2K, 1W, 10%	
19	041-533	R701, 702	RESISTOR, FIXED, 24 OHM, 1/2W, 5%	
20	044-370	R712	RESISTOR, VAR, 1K, 1/10W	
21	055-106	C705	CAPACITOR, MYLAR, 0.1 UF, 100V, 10%	
22	056-108	C701	CAPACITOR, MICA, 6800 PF, 500V, 5%	
23	059-016	R709	RESISTOR, 1 OHM, 5W, 5%	
24	041-529	R707	RESISTOR, 20K, 1/2W, 5%	
26	280-131		PAD, TRANSISTOR	
27	041-038	R714	RESISTOR, FIXED, 100 OHM, 1/2W, 10%	
28	041-048	R708,710	RESISTOR, FIXED, 1K, 1/2W, 10%	
29	041-052	R713	RESISTOR, FIXED, 2.2K, 1/2W, 10%	
30	103307-01		STANDOFF	
37	4840168		SCHEMATIC	

VERSION: 4050432-07