

Table 5-13. Overall Signal-to-Noise Ratio Specifications

TAPE SPEED AND EQUALIZATION	TRACK FORMAT	30 Hz – 18 kHz UNWEIGHTED	ANSI "A" WEIGHTED	CCIR REC 468 WEIGHTED
30 in/s AES	Full Track	77 dB	81 dB	73 dB
	2 Track and 4 Track	72 dB	76 dB	67 dB
15 in/s IEC/CCIR	Full Track	74 dB	78 dB	70 dB
	2 Track and 4 Track	70 dB	74 dB	65 dB
15 in/s NAB	Full Track	73 dB	77 dB	69 dB
	2 Track and 4 Track	69 dB	73 dB	63 dB
7.5 in/s NAB	Full Track	75 dB	78 dB	70 dB
	2 Track and 4 Track	71 dB	74 dB	63 dB
7.5 in/s IEC/CCIR	Full Track	71 dB	76 dB	67 dB
	2 Track and 4 Track	68 dB	71 dB	62 dB
3.75 in/s IEC/NAB*	Full Track	68 dB	72 dB	64 dB
	2 Track and 4 Track	64 dB	66 dB	57 dB

*At 3.75 in/s, overall signal-to-noise ratio is measured with respect to a record level of 740 nWb/m (6 dB above operating level of 370 nWb/m). At 740 nWb/m, mid-frequency, third harmonic distortion is less than 3%.

All signal-to-noise ratio figures given are with respect to a level 9 dB above 370 nWb/m when using Ampex 456 tape or its direct equivalent.

Table 5-14. Typical Standby Signal-to-Noise Ratio Specifications

TAPE SPEED AND EQUALIZATION	TRACK FORMAT	30 Hz – 18 kHz UNWEIGHTED	ANSI "A" WEIGHTED	CCIR REC 468 WEIGHTED
30 in/s AES	Full Track	82 dB	90 dB	88 dB
	2 Track and 4 Track	78 dB	86 dB	85 dB
15 in/s IEC/CCIR or NAB	Full Track	80 dB	90 dB	84 dB
	2 Track and 4 Track	76 dB	86 dB	80 dB
7.5 in/s IEC/CCIR or NAB	Full Track	78 dB	86 dB	82 dB
	2 Track and 4 Track	75 dB	83 dB	76 dB
3.75 in/s IEC/NAB*	Full Track	74 dB	80 dB	77 dB
	2 Track and 4 Track	70 dB	76 dB	70 dB

*At 3.75 in/s, overall signal-to-noise ratio is measured with respect to a record level of 740 nWb/m (6 dB above operating level of 370 nWb/m). At 740 nWb/m, mid-frequency, third harmonic distortion is less than 3%.

All signal-to-noise ratio figures given are with respect to a level 9 dB above 370 nWb/m when using Ampex 456 tape or its direct equivalent.

SECTION 6

PARTS LISTS AND SCHEMATICS

This section of the manual provides parts lists, assembly drawings and schematic diagrams for the ATR-100 Series Recorder/Reproducer, Part No. 4010260, 4010261, 4010262.

Three indexes list the assemblies as follows:

- **Indented List of Assemblies** – List of assemblies in sequence of appearance in the manual.
- **Numerical List of Assemblies** – List of assemblies in numeric sequence.
- **Numerical List of Schematics** – List of schematics in numeric sequence.

INDENTURED LIST OF ASSEMBLIES

TITLE	ASSEMBLY NO.	PAGE NO.
SYSTEM		
ATR-100 Tape Recorder/Reproducer, Full Track	4010260	6-1
ATR-100 Tape Recorder/Reproducer, Two Track	4010261	6-2
ATR-100 Tape Recorder/Reproducer, Four Track	4010262	6-3
TRANSPORT		
Transport Assembly	4020400	6-5
Capstan Assembly	4030390	6-9
Capstan Shaft Assembly	4041264	6-10
Tension Arm Solenoid Housing Assembly	4030397	6-11
Head Gate Latch Assembly	4030411	6-12
Turntable Assembly	4030398	6-13
Tape Lifter Assembly	4030400	6-14
Tape Tension Solenoid Assembly	4030412	6-15
Tape Timer Wheel Assembly	4041230	6-16
Speed Switch Bracket Assembly	4041242	6-17
Reel Drive Motor Assembly	4030408	6-18
Transport Harness Assembly	4050814	6-19
Transport to Power Supply Harness Assembly	4050815	6-23
Tachometers No. 2 Harness Assembly	4050818	6-24
Capstan Tachometer Sensor PWA	4050832	6-25
Capstan Tachometer LED PWA	4050833	6-26
Tension Transducer LED PWA	4050834	6-27
Tension Transducer Sensor PWA	4050835	6-28
Timer Tachometer PWA	4050836	6-29
Head Gate Assembly	4041229	6-30
ELECTRONICS		
Electronics Chassis Assembly	4020404	6-31
Motherboard PWA	4050799	6-35
Tachometers No. 1 Harness Assembly	4050817	6-36
Reel Drive Harness Assembly	4050819	6-37
Input/Output Harness Assembly	4050823	6-38
Head Connector and Cable Assembly	4050824	6-39
Main Audio PWA, No. 1, 2, 3, 4	4050754	6-40
PADNET PWA	4050755	6-45
Audio Control PWA, No. 5	4050788	6-49

INDENTURED LIST OF ASSEMBLIES (Continued)

TITLE	ASSEMBLY NO.	PAGE NO.
ATR-100 Tape Recorder/Reproducer (Continued)		
ELECTRONICS (Continued)		
Transport Logic and Tape Timer PWA, No. 7 (Transport Control)	4050787	6-53
Capstan Servo PWA, No. 8	4050776	6-59
Reel Servo PWA, No. 9	4050778	6-65
POWER SUPPLY		
Power Supply Assembly	4020406	6-71
Power Supply and Dynamic Brakes PWA	4050794	6-75
Power Supply Harness Assembly	4050813	6-78
CONTROL UNIT		
Control Unit, 4 Channel	4020405	6-79
Control Unit No. 1 PWA, 4 Channel	4050784	6-81
Control Unit No. 2 PWA, 4 Channel	4050785	6-85
Control Unit Harness Assembly	4050786	6-88
HEAD ASSEMBLIES		
Full Track Head Assembly, 1/4 Inch	4020413	6-89
Scrape Flutter Idler Assembly	4030402	6-91
Head Connector PWA, 1 - 2 Channel	4050846	6-92
Two Track Head Assembly, 1/4 Inch	4020417	6-93
Scrape Flutter Idler Assembly (See Page 6-91)	4030402	
Head Connector PWA (See Page 6-92)	4050846	
Four Track Head Assembly, 1/2 Inch	4020418	6-97
Scrape Flutter Idler Assembly (See Page 6-91)	4030402	
Head Connector PWA, 4 Channel	4050837	6-99
MISCELLANEOUS		
Miscellaneous Parts Kit, 1/4 Inch	4010255	6-101
Miscellaneous Parts Kit, 1/2 Inch	4010267	6-102
Reel Knob Assembly	4040492	6-103
Tape Guide Assembly, 1/4 Inch	4041239	6-104
Tape Guide Assembly, 1/2 Inch	4041240	6-105
ACCESSORIES		
Input/Output Main Frame Assembly	4010254	6-107
Input/Output Module Assembly	4020409	6-111
Input/Output Module PWA	4050827	6-115
Bias and Erase Indicators PWA	4050828	6-118

INDENTURED LIST OF ASSEMBLIES (Continued)

TITLE	ASSEMBLY NO.	PAGE NO.
ATR-100 Tape Recorder/Reproducer (Continued)		
ACCESSORIES (Continued)		
Input/Output Main Frame Harness	4050840	6-119
Pedestal Assembly	4020426	6-120
Remote Control Unit, 4 Channel	4010264	6-122
Remote Control Cable Assembly	4050849	6-123
Control Unit No. 1 PWA, 4 Channel (See Page 6-81)	4050784	
Control Unit No. 2 PWA, 4 Channel (See Page 6-85)	4050785	
Two-Way Extension Connector Assembly	4020432	6-124

NUMERICAL LIST OF ASSEMBLIES

ASSEMBLY NO.	REV.	TITLE	PAGE NO.
4010254	H	Input/Output Main Frame Assembly	6-107
4010255	—	Miscellaneous Parts Kit, 1/4 Inch	6-101
4010260	G	ATR-100 Tape Recorder/Reproducer, Full Track . . .	6-1
4010261	F	ATR-100 Tape Recorder/Reproducer, Two Track . . .	6-2
4010262	F	ATR-100 Tape Recorder/Reproducer, Four Track . . .	6-3
4010264	B	Remote Control Unit, 4 Channel	6-122
4010267	—	Miscellaneous Parts Kit, 1/2 Inch	6-102
4020400	H	Transport Assembly	6-5
4020404	E	Electronics Chassis Assembly	6-31
4020405	C	Control Unit, 4 Channel	6-79
4020406	F	Power Supply Assembly	6-71
4020409	F	Input/Output Module Assembly	6-111
4020413	B	Full Track Head Assembly, 1/4 Inch	6-89
4020417	B	Two Track Head Assembly, 1/4 Inch	6-93
4020418	B	Four Track Head Assembly, 1/2 Inch	6-97
4020426	—	Pedestal Assembly	6-120
4020432	—	Two-Way Extension Connector Assembly	6-124
4030390	B	Capstan Assembly	6-9
4030397	B	Tension Arm Solenoid Housing Assembly	6-11
4030398	B	Turntable Assembly	6-13
4030400	—	Tape Lifter Assembly	6-14
4030402	B	Scrape Flutter Idler Assembly	6-91
4030408	A	Reel Drive Motor Assembly	6-18
4030411	—	Head Gate Latch Assembly	6-12
4030412	A	Tape Tension Solenoid Assembly	6-15
4040492	L	Reel Knob Assembly	6-103
4041229	B	Head Gate Assembly	6-30
4041230	A	Tape Timer Wheel Assembly	6-16
4041239	C	Tape Guide Assembly, 1/4 Inch	6-104
4041240	C	Tape Guide Assembly, 1/2 Inch	6-105
4041242	C	Speed Switch Bracket Assembly	6-17
4041264	—	Capstan Shaft Assembly	6-10
4050754	J	Main Audio PWA, No. 1, 2, 3, 4	6-40
4050755	D	PADNET PWA	6-45
4050776	K	Capstan Servo PWA, No. 8	6-59
4050778	G	Reel Servo PWA, No. 9	6-65
4050784	—	Control Unit No. 1 PWA, 4 Channel	6-81
4050785	—	Control Unit No. 2 PWA, 4 Channel	6-85
4050786	D	Control Unit Harness Assembly	6-88
4050787	F	Transport Logic and Tape Timer PWA, No. 7 (Transport Control)	6-53

NUMERICAL LIST OF ASSEMBLIES (Continued)

ASSEMBLY NO.	REV.	TITLE	PAGE NO.
4050788	H	Audio Control PWA, No. 5	6-49
4050794	E	Power Supply and Dynamic Brakes PWA	6-75
4050799	—	Motherboard PWA	6-35
4050813	E	Power Supply Harness Assembly	6-78
4050814	F	Transport Harness Assembly	6-19
4050815	B	Transport to Power Supply Harness Assembly	6-23
4050817	D	Tachometers No. 1 Harness Assembly	6-36
4050818	D	Tachometers No. 2 Harness Assembly	6-24
4050819	C	Reel Drive Harness Assembly	6-37
4050823	D	Input/Output Harness Assembly	6-38
4050824	D	Head Connector and Cable Assembly	6-39
4050827	D	Input/Output Module PWA	6-115
4050828	B	Bias and Erase Indicators PWA	6-118
4050832	B	Capstan Tachometer Sensor PWA	6-25
4050833	B	Capstan Tachometer LED PWA	6-26
4050834	B	Tension Transducer LED PWA	6-27
4050835	B	Tension Transducer Sensor PWA	6-28
4050836	B	Timer Tachometer PWA	6-29
4050837	—	Head Connector PWA, 4 Channel	6-99
4050840	F	Input/Output Main Frame Harness	6-119
4050846	—	Head Connector PWA, 1 - 2 Channel	6-92
4050849	—	Remote Control Cable Assembly	6-123

NUMERICAL LIST OF SCHEMATICS

SCHEMATIC NO.	REV.	TITLE	PAGE NO.
4840378	A	Main Audio PWA, No. 1, 2, 3, 4	6-43
4840379	B	PADNET PWA	6-47
4840390	H	Capstan Servo PWA, No. 8	6-63
4840395	F	Reel Servo PWA, No. 9	6-69
4840396	D	Control Unit Assembly	6-83
4840397	B	Transport Logic and Tape Timer PWA, No. 7 (Transport Control)	6-55
4840398	E	Audio Control PWA, No. 5	6-51
4840412	D	Power Supply and Dynamic Brakes	6-73
4840421	D	Input/Output PWA	6-113
4840422	C	Electronics Wiring Diagram	6-33
4840423	B	Transport Interconnect Diagram	6-21
4840427	A	Input/Output Mainframe	6-109

ITEM NO.	AMPEX PART NO.	REFERENCE NUMBER	DESCRIPTION	JEDEC NO. OR MFR. PART NO.
	4010260-00		ATR-100 TAPE RECORDER/REPRODUCER, FULL TRACK (NHA CATALOG)	
1	4010255-01		MISCELLANEOUS PARTS KIT	
3	4020400-02		TRANSPORT ASSEMBLY	
5	4020405-02		CONTROL UNIT, 4 CHANNEL	
8	4020413-02		FULL TRACK HEAD ASSEMBLY, 1/4 INCH	
9	4041256-01		COVER ASSY, HEAD	
12	4041239-AC		TAPE GUIDE ASSEMBLY, 1/4 INCH, SUPPLY	
13	4041239-AD		TAPE GUIDE ASSEMBLY, 1/4 INCH, TAKE UP	
17	4050754-06		AUDIO MAIN BOARD PWA	
18	4050755-01		PADNET PWA	
19	4050776-07		CAPSTAN SERVO PWA	
20	4050778-03		REEL SERVO PWA	
21	4050787-02		TRANSPORT LOGIC AND TAPE TIMER PWA	
22	4050788-04		AUDIO CONTROL PWA	
23	4050800-01		EXTENDER CARD PWA	
27	4170339-AA		LINE VOLTAGE WARNING CARD, 115V	
28	4170339-AB		LINE VOLTAGE WARNING CARD, 230V	
30	4170330-AA		LABEL, AUDIO BOARD POSITION (1)	
32	4020426-01		PEDESTAL ASSEMBLY	
34	4010258-AC		CABINET (1 & 2 CH) (OPTION) ✕	
35	4010259-01		CASE, PORTABLE —	
36	4010252-01		RACK MOUNT KIT (FIXED)	
37	4010253-01		RACK MOUNT KIT (SLIDES)(OPTION)	
38	4010254-04		INPUT/OUTPUT MAIN FRAME (ACCESSORY)	
39	4020409-04		INPUT/OUTPUT MODULE ASSEMBLY (ACCESSORY)	
40	4041247-02		PANEL, BLANK (ACCESSORY)	
41	4010264-02		REMOTE CONTROL, 4 CHANNEL (ACCESSORY)	
42	4020429-01		RISER KIT (I/O) (ACCESSORY)	
43	4020428-01		COVER KIT (RACK MOUNT ONLY (ACCESSORY)	
46	4041240-AC		TAPE GUIDE ASSY, 1/2 INCH, SUPPLY (ACCESSORY)	
47	4041240-AD		TAPE GUIDE ASSY, 1/2 INCH, TAKE UP (ACCESSORY)	
48	4020417-02		TWO TRACK HEAD ASSEMBLY, 1/4 INCH (ACCESSORY)	
49	4020418-02		FOUR TRACK HEAD ASSEMBLY, 1/2 INCH (ACCESSORY)	
50	4020432-01		TWO WAY EXTENSION CONNECTOR ASSEMBLY (ACCESSORY)	
60	4020404-02		ELECTRONICS CHASSIS ASSEMBLY	
61	4020406-03		POWER SUPPLY ASSEMBLY	

G

SHEET 1 OF 1

ITEM NO.	AMPEX PART NO.	REFERENCE NUMBER	DESCRIPTION	JEDEC NO. OR MFR. PART NO.
	4010261-00		ATR-100 TAPE RECORDER/REPRODUCER, TWO TRACK (NHA CATALOG)	
1	4010255-01		MISCELLANEOUS PARTS KIT	
3	4020400-02		TRANSPORT ASSEMBLY	
5	4020405-02		CONTROL UNIT, 4 CHANNEL	
9	4020417-02		TWO TRACK, HEAD ASSEMBLY, 1/4 INCH	
12	4041239-AC		TAPE GUIDE ASSEMBLY, 1/4 INCH SUPPLY	
13	4041239-AD		TAPE GUIDE ASSEMBLY, 1/4 INCH TAKEUP	
14	4041256-01		COVER ASSY, HEAD	
15	4170339-AA		LINE VOLTAGE WARNING CARD, 115V	
16	4170339-AB		LINE VOLTAGE WARNING CARD, 230V	
17	4050754-06		AUDIO MAIN BOARD PWA	
18	4050755-01		PADNET PWA	
19	4050776-07		CAPSTAN SERVO PWA	
20	4050778-03		REEL SERVO PWA	
21	4050787-02		TRANSPORT LOGIC AND TAPE TIMER PWA	
22	4050788-04		AUDIO CONTROL PWA	
23	4050800-01		EXTENDER CARD PWA	
27	4170330-AA		LABEL, AUDIO BOARD POSITION (1)	
28	4170330-AB		LABEL, AUDIO BOARD POSITION (2)	
32	4010252-01		RACK MOUNT KIT (FIXED) (OPTION)	
33	4010253-01		RACK MOUNT KIT (SLIDES) (OPTION)	
34	4010258-AC		CABINET (1 & 2 CH) (OPTION)	
35	4010259-01		CASE, PORTABLE (OPTION)	
37	4020426-01		PEDESTAL ASSEMBLY	
38	4010254-02		INPUT/OUTPUT MAIN FRAME (ACCESSORY)	
39	4020409-01		INPUT/OUTPUT MODULE ASSEMBLY (ACCESSORY)	
42	4010264-02		REMOTE CONTROL, 4 CHANNEL (ACCESSORY)	
43	4020429-01		RISER KIT (I/O) (ACCESSORY)	
44	4020428-01		COVER, KIT (RACK MOUNT ONLY) (ACCESSORY)	
47	4041240-AC		TAPE GUIDE ASSEMBLY, 1/2 INCH, SUPPLY (ACCESSORY)	
48	4041240-AD		TAPE GUIDE ASSEMBLY, 1/2 INCH, TAKE UP (ACCESSORY)	
49	4020413-02		FULL TRACK HEAD ASSEMBLY, 1/4 INCH (ACCESSORY)	
50	4020418-02		FOUR TRACK HEAD ASSEMBLY, 1/2 INCH (ACCESSORY)	
51	4020432-01		TWO WAY EXTENSION CONNECTOR ASSEMBLY (ACCESSORY)	
60	4020404-02		ELECTRONICS CHASSIS ASSEMBLY	
61	4020406-03		POWER SUPPLY ASSEMBLY	

F

SHEET 1 OF 1

ITEM NO.	AMPEX PART NO.	REFERENCE NUMBER	DESCRIPTION	JEDEC NO. OR MFR. PART NO.
	4010262-00		ATR-100 TAPE RECORDER/REPRODUCER, FOUR TRACK (NHA CATALOG)	
1	4010267-01		MISCELLANEOUS PARTS KIT	
3	4020400-02		TRANSPORT ASSEMBLY	
5	4020405-02		CONTROL UNIT, 4 CHANNEL	
6	4170330-AA		LABEL, AUDIO BOARD POSITION (1)	
7	4170330-AB		LABEL, AUDIO BOARD POSITION (2)	
8	4170330-AC		LABEL, AUDIO BOARD POSITION (3)	
9	4170330-AD		LABEL, AUDIO BOARD POSITION (4)	
10	4020418-02		FOUR TRACK, HEAD ASSEMBLY, 1/2 INCH	
11	4041256-01		COVER ASSY, HEAD	
12	4170339-AA		LINE VOLTAGE WARNING CARD, 115V	
13	4170339-AB		LINE VOLTAGE WARNING CARD, 230V	
14	4041240-AC		TAPE GUIDE ASSEMBLY, 1/2 INCH, SUPPLY	
15	4041240-AD		TAPE GUIDE ASSEMBLY, 1/2 INCH, TAKE UP	
17	4050754-06		AUDIO MAIN BOARD PWA	
18	4050755-01		PADNET PWA	
19	4050776-07		CAPSTAN SERVO PWA	
20	4050778-03		REEL SERVO PWA	
21	4050787-02		TRANSPORT LOGIC AND TAPE TIMER PWA	
22	4050788-04		AUDIO CONTROL PWA	
23	4050800-01		EXTENDER CARD PWA	
32	4010252-01		RACK MOUNT KIT (FIXED) (OPTION)	
33	4010253-01		RACK MOUNT KIT (SLIDES) (OPTION)	
34	4010258-AD		CABINET (4 CH) (OPTION)	
35	4010259-01		CASE, PORTABLE (OPTION)	
37	4020426-01		PEDESTAL ASSEMBLY (ACCESSORY)	
38	4010254-04		INPUT/OUTPUT MAIN FRAME	
39	4020409-04		INPUT/OUTPUT MODULE ASSEMBLY	
42	4010264-02		REMOTE CONTROL, 4 CHANNEL (ACCESSORY)	
44	4020428-01		COVER, KIT, (RACK MOUNT ONLY) (ACCESSORY)	
46	4041239-AA		TAPE GUIDE ASSY, 1/4 INCH, SUPPLY (ACCESSORY)	
47	4041239-AB		TAPE GUIDE ASSY, 1/4 INCH, TAKE UP (ACCESSORY)	
48	4020413-02		FULL TRACK HEAD ASSEMBLY, 1/4 INCH (ACCESSORY)	
49	4020417-02		TWO TRACK HEAD ASSEMBLY, 1/2 INCH (ACCESSORY)	
50	4020432-01		TWO WAY EXTENSION CONNECTOR ASSEMBLY (ACCESSORY)	
60	4020404-02		ELECTRONICS CHASSIS ASSEMBLY	
61	4020406-03		POWER SUPPLY ASSEMBLY	

F

SHEET 1 OF 1

ITEM NO.	AMPEX PART NO.	REFERENCE NUMBER	DESCRIPTION	JEDEC NO. OR MFR. PART NO.
	4020400-02		TRANSPORT ASSEMBLY (NHA 4010260, 4010261, 4010262)	
3	4030390-02		CAPSTAN ASSEMBLY	
4	4030394-AA		ARM ASSY, TAPE LIFTER	
7	4030398-01		TURNABLE ASSEMBLY	
8	4030394-AB		ARM ASSY, TAPE LIFTER	
9	4030400-01		TAPE LIFTER ASSEMBLY	
11	4041232-01		FILLER PANEL ASSY	
12	4041219-01		SHAFT ASSY, TIMER	
13	4041226-01		STOP, ASSY SUPPLY ARM	
14	4041227-02		BAR, CAPSTAN SENSOR	
15	4041229-02		HEAD GATE ASSEMBLY	
16	4041230-01		TAPE TIMER WHEEL ASSEMBLY	
17	4041231-01		CAPSTAN/TACH ASSY	
18	4041241-01		TRANSPORT TOP PLATE ASSEMBLY	
19	4041242-01		SPEED SWITCH BRACKET ASSEMBLY	
20	4050832-02		CAPSTAN TACH SENSOR PWA	
21	4050833-02		CAPSTAN TACH LED PWA	
22	4050834-03		TENSION TRANSDUCER SENSOR LED PWA	
23	4050835-01		TENSION TRANSDUCER SENSOR PWA	
24	4050836-01		TIMER TACHOMETER PWA	
25	4110295-01		OVERLAY, TRANSPORT REAR	
26	4110296-01		OVERLAY, TRANSPORT FRONT	
27	4200076-AA		INSERT, OVERLAY	
28	4200076-AB		INSERT, OVERLAY	
30	4100086-01		KNOB, CAPSTAN	
31	4230258-02		ACTUATOR, SWITCH	
32	4230277-01		ROD, POWER SWITCH	
34	4290872-AA		COVER, REEL INSERT	
35	4290872-AB		COVER, REEL INSERT	
36	4290933-02		COVER, TACH FRONT	
38	4030408-01		MOTOR REEL DRIVE ASSEMBLY	
39	4041258-01		BAR ASSY, HEAD GATE	
40	4260537-01		BRACKET, ELECTR, MTG.	
41	4041249-01		PEELER ASSY, TAPE	
42	4041250-02		SHIELD ASSY, REEL DRIVE	
43	4600162-01		SHIELD, REEL MOTOR END	
44	4050814-03		TRANSPORT HARNESS ASSEMBLY	
45	4050815-01		TRANSPORT TO POWER SUPPLY HARNESS ASSEMBLY	
46	4050818-01		TACHOMETERS NO. 2 HARNESS ASSEMBLY	
47	4030411-01		HEAD GATE LATCH LASSY	
49	4130065-01		PAD, TRANSPORT	
51	4260562-01		BRACKET, SWITCH MOUNTING	
53	4290949-01		COVER, TACH REAR	
55	4320057-01		RETAINER, POWER BAR	
56	4320061-01		RETAINER, ACTUATOR	
62	4030412-AC		TAPE TENSION, SOLENOID ASSEMBLY TAKE UP	
63	4030412-AD		TAPE TENSION, SOLENOID ASSEMBLY SUPPLY	
65	013-678		DIODE	IN4005
66	014-630		TRANSISTOR	2N3055
69	059-583		RESISTOR, W W, .33 OHM 5%, 10W	
70	059-584		RESISTOR, W W, 2.5 OHM, 5%, 10W	
75	120-436		SWITCH, SENSITIVE, SPOT ✓	
76	145-539		PLUG, BANANA	SMITH NO. 103
78	172-004		LUG, SOLDER, NO. 4	
79	180-954		TERMINAL STRIP, 4 POS	H

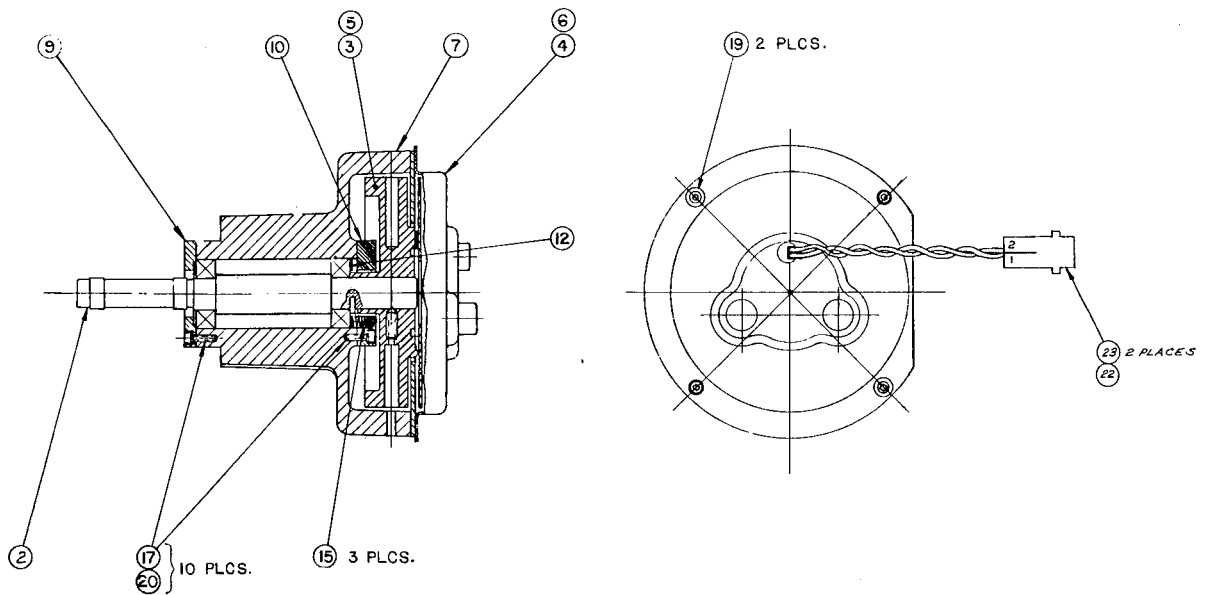
SHEET 1 OF 2

ITEM NO.	AMPEX PART NO.	REFERENCE NUMBER	DESCRIPTION	JEDEC NO. OR MFR. PART NO.
88	302-395		STRAP, CABLE "MOUSE TAIL"	TRUARC 5103-37
90	352-290		SPRING, COMPRESSION, 0.480 DIA X 0.50 LG	
91	352-382		SPRING, COMPRESSION, 0.300 DIA X 0.37 LG	
92	352-441		SPRING, EXTENSION, 0.094 DIA X 1.00 LG	
94	430-517		RING, RETAINING	
97	470-005		SCREW, CAP, HEX SOC, NO. 2-56 X 7/16	2N6254
98	470-008		SCREW, CAP, HEX SOC, NO. 4-40 X 1/4	
99	470-009		SCREW, CAP, HEX SOC, NO. 4-40 X 5/16	
100	470-010		SCREW, CAP, HEX SOC, NO. 4-40 X 3/8	
101	470-012		SCREW, CAP, HEX SOC, NO. 4-40 X 1/2	
102	470-018		SCREW, CAP, HEX SOC, NO. 6-32 X 3/8	
103	470-020		SCREW, CAP, HEX SOC, NO. 6-32 X 1/2	
104	470-022		SCREW, CAP, HEX SOC, NO. 6-32 X 3/4	
105	470-039		SCREW, CAP, HEX SOC, NO. 10-32 X 5/8	
106	470-049		SCREW, CAP, HEX SOC, NO. 1/4-20 X 1	
107	470-105		SCREW, CAP, HEX SOC, NO. 10-32 X 1 1/2	
108	470-136		SCREW, CAP, HEX SOC, NO. 4-40 X 7/8	
110	470-536		SCREW, CAP, FLAT HD, HEX SOC, NO. 8-32 X 3/8	
111	470-635		SCREW, CAP, HEX SOC, NO. 4-40 X 1 1/4	
112	470-642		SCREW, CAP, FLAT HD, HEX SOC, NO. 4-40 X 1/2	
113	476-505		SCREW, SELF TAP, NO. 4-40 X 1/4 LG	
114	477-556		SCREW, SET CONE PT, NO. 6-32 X 1/2	
115	477-525		SCREW, SET, CUP PT, NO. 6-32 X 3/8	
117	496-004		NUT, ASSEMBLED WASHER, NO. 4	
119	496-007		NUT, ASSEMBLED WASHER, NO. 10	
120	501-008		WASHER, FLAT, NO. 4	
121	501-009		WASHER, FLAT, NO. 6	
122	501-169		WASHER, FLAT, NO. 4, SM PATT	
123	501-184		WASHER, FLAT, NO. 2	
124	502-001		WASHER, SPRING, NO. 2	
125	502-002		WASHER, SPRING, NO. 4	
126	502-003		WASHER, SPRING, NO. 6	
127	502-005		WASHER, SPRING, NO. 10	
129	502-389		WASHER, FLAT, NO. 4, 0.375 OD	
131	502-014		WASHER, LOCK, EXT TOOTH, NO. 6	
132	502-025		WASHER, LOCK, INT TOOTH, NO. 6	
133	580-781		TRANSISTOR	
134	580-801		INSULATOR, POWER TRANSISTOR	
135	280-327		SPACER, HEX NO. 4-40 X 1/2 LG	
136	502-027		WASHER, LOCK, INT TOOTH NO. 10	
137	302-335		STRAP, CABLE, TY RAP, 0.09 WD	
142	408-170		PIN, GROOVED, 0.094 DIA X 0.50 LG	
145	502-028		WASHER, LOCK, INT, 1/4	
150	4041239-AC		TAPE GUIDE ASSEMBLY, 1/4 INCH, SUPPLY	
151	4041239-AD		TAPE GUIDE ASSEMBLY, 1/4 INCH, TAKEUP	

H

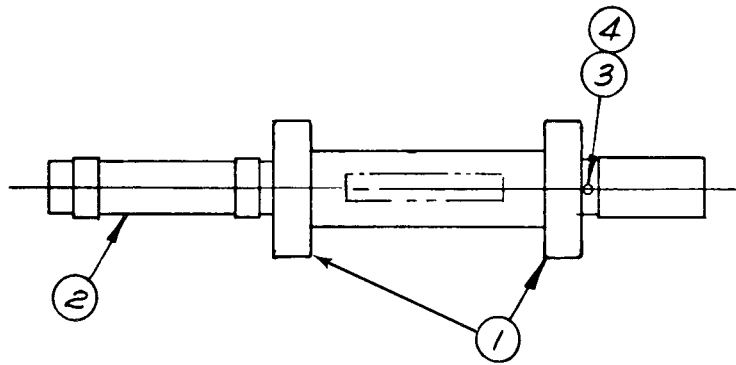
ITEM NO.	AMPEX PART NO.	REFERENCE NUMBER	DESCRIPTION	JEDEC NO. OR MFR. PART NO.
	4030390-01		CAPSTAN ASSEMBLY (NHA 4020400)	
2	4041264-01		CAPSTAN SHAFT ASSEMBLY	
3	4041215-01		ROTOR ASSY, CAPSTAN, VENDOR: PMI	
4	4590074-01		PLATE, BRUSH, MOD	
5	4041224-01		ROTOR ASSY, CAPSTAN, VENDOR: YASKAWA	
6	4590080-01		PLATE, BRUSH, MOD	
7	4290832-01		HOUSING, CAPSTAN	
9	4320036-01		RETAINER, BEARING FACE	
10	4320056-01		RETAINER, SPRING	
12	4330342-01		PLATE, BEARING PRESSURE	
15	352-209		SPRING, COMPRESSION, 0.180 OD X 0.500 LG	
17	470-010		SCREW, CAP, HEX SOC, NO. 4-40 X 0.375 LG	
19	501-008		WASHER, PLAIN, NO. 4	
20	502-002		WASHER, LOCK, NO. 4	
22	167-347		CONNECTOR, FEMALE	
23	167-349		CONTACT, PIN	B

SHEET 1 OF 1



ITEM NO.	AMPEX PART NO.	REFERENCE NUMBER	DESCRIPTION	JEDEC NO. OR MFR. PART NO.
1	4041264-01		CAPSTAN SHAFT ASSEMBLY (NHA 4030390)	
2	4200075-01		BEARING, BALL	
3	4210388-01		SHAFT, CAPSTAN	
4	018-450		ADHESIVE, LOCTITE NO. 290	
4	406-020		PIN, SPRING, 0.062 DIA X 0.25 LG	

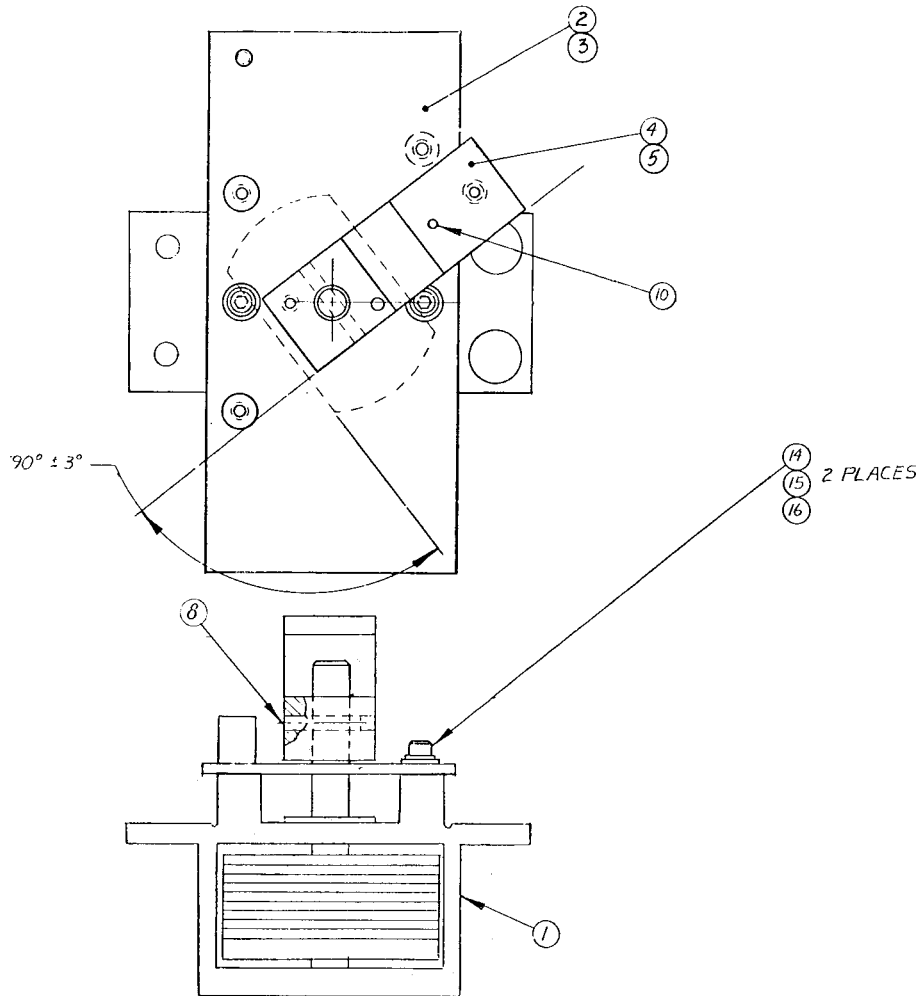
SHEET 1 OF 1



ITEM NO.	AMPEX PART NO.	REFERENCE NUMBER	DESCRIPTION	JEDEC NO. OR MFR. PART NO.
	4030397-AA 4030397-AB		TENSION ARM SOLENOID HOUSING ASSEMBLY, TAKEUP TENSION ARM SOLENOID HOUSING ASSEMBLY, SUPPLY (NHA 4020400)	
1	4030391-01		SOLENOID BEARING ASSY	
2	4600094-AA		SHIELD, SOLENOID (TAKEUP)	
3	4600094-AB		SHIELD, SOLENOID (SUPPLY)	
4	4230275-AA		ARM, TAPE TENSION (TAKEUP)	
5	4230275-AB		ARM, TAPE TENSION (SUPPLY)	
8	406-284		PIN, SPRING, 0.094 DIA X 0.50 LG	
10	402-159		PIN, DOWEL, 0.062 DIA X 0.25 LG	
14	470-010		SCREW, CAP, HEX SOC, NO. 4-40 X 3/8 LG	
15	501-008		WASHER, FLAT, NO. 4	
16	502-002		WASHER, LOCK, SPRING, NO. 4	

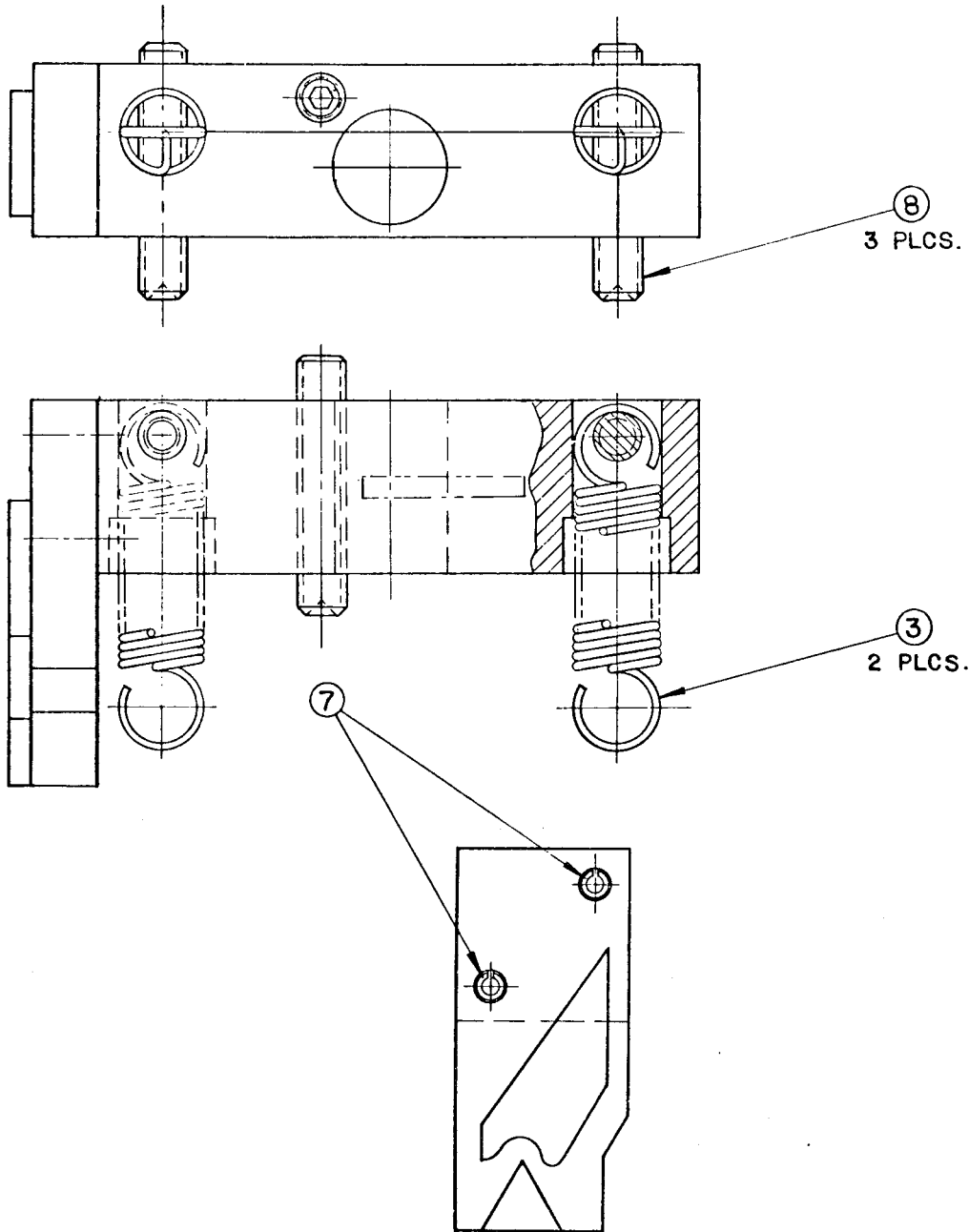
B

SHEET 1 OF 1



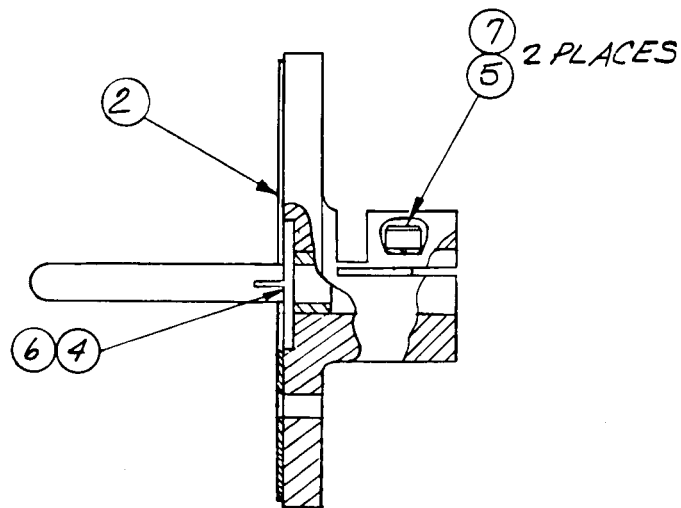
ITEM NO.	AMPEX PART NO.	REFERENCE NUMBER	DESCRIPTION	JEDEC NO. OR MFR. PART NO.
	4030411-01		HEAD GATE LATCH ASSEMBLY (NHA 4020400)	
1	4120035-01		LATCH, HEAD GATE	
3	4270271-01		SPRING, EXTENSION, HEAD GATE	
7	406-280		PIN, SPRING, 0.094 DIA X 0.31 LG	
8	477-143		SCREW, SET NO. 6-32 X 0.75 LG	

SHEET 1 OF 1



ITEM NO.	AMPEX PART NO.	REFERENCE NUMBER	DESCRIPTION	JEDEC NO. OR MFR. PART NO.
	4030398-01		TURNTABLE ASSEMBLY (NHA 4020400)	
2	4130062-01		PAD, TURNTABLE	
4	4320128-10		PLATE, DRIVE	
5	470-040		SCREW, HEX SOC, NO. 10-32 X 0.75 LG	
6	470-382		SCREW, CAP, BUTTON HEAD, NO. 4-40 X 0.19 LG	
7	502-005		WASHER, LOCK, SPLIT, NO. 10	B

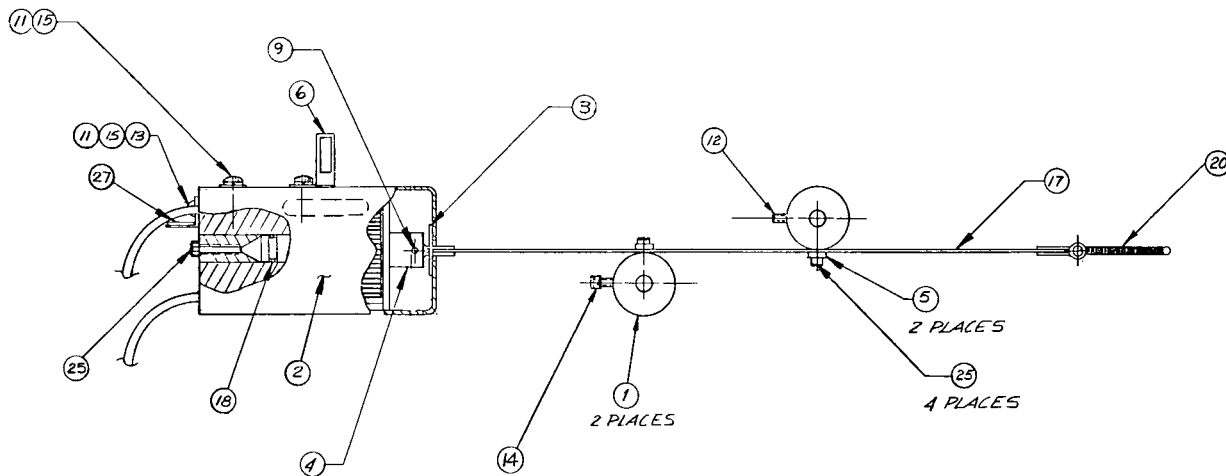
SHEET 1 OF 1



ITEM NO.	AMPEX PART NO.	REFERENCE NUMBER	DESCRIPTION	JEDEC NO. OR MFR. PART NO.
	4030400-01		TAPE LIFTER ASSEMBLY	
1	4250092-01		ROLLER, LIFTER	
2	4290899-01		SHIELD, SOLENOID LIFTER	
3	4440319-01		WASHER, CORK COMPOSITION	
4	4590081-01		SOLENOID, TAPE LIFTER	
5	4600096-01		CLAMP, LIFTER CABLE	
6	4260560-02		BRACKET, TACH INTERCONNECT	
8	172-008		LUG, SOLDER, NO. 4	
9	406-013		PIN, SPRING	
11	471-891		SCREW, CAP, BUTTON HD, NO. 8-32 X 1/4	
12	477-524		SCREW, SET, CUT POINT, NO. 6-32 X 5/16 LG	
13	501-190		WASHER, PLAIN, FLAT, NO. 8	
14	470-020		SCREW, CAP, HEX SOC, NO. 6-32 X 1/2 LG	
15	502-004		WASHER, LOCK, SPLIT, NO. 8	
17	4050845-01		CABLE ASSY, LIFTER	
18	432-189		O-RING	
20	352-346		SPRING, EXTENSION, 1.25 LG	
25	470-625		SCREW, LOCKING, CAP, HEX SOC, NO. 4-40 X 3/8	
27	180-265		TERMINAL STRIP	

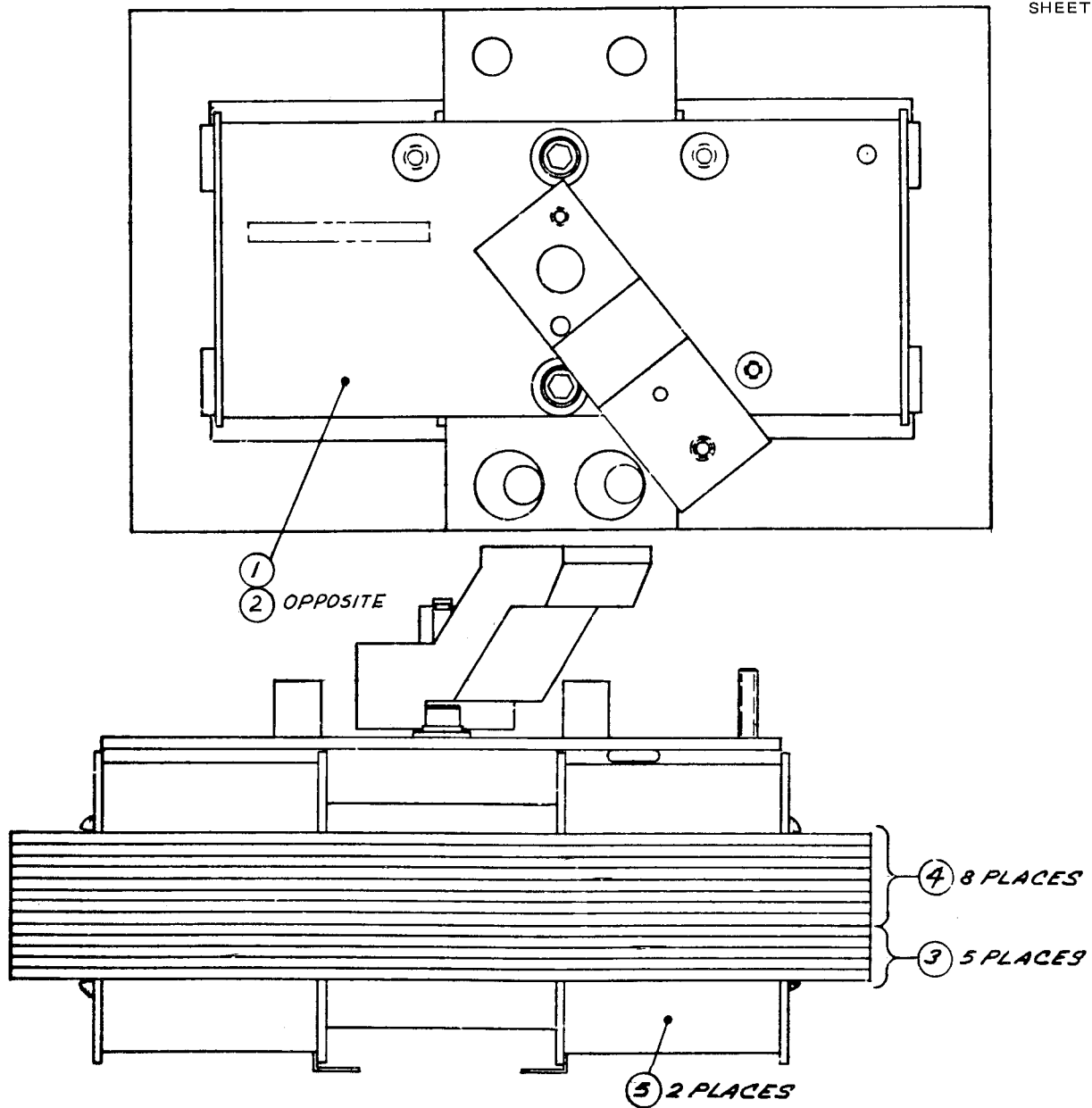
E

SHEET 1 OF 1



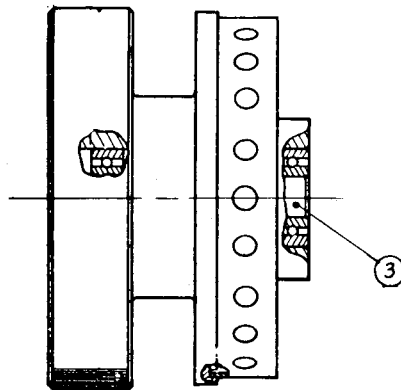
ITEM NO.	AMPEX PART NO.	REFERENCE NUMBER	DESCRIPTION	JEDEC NO. OR MFR. PART NO.
	4030412-AC 4030412-AD		TAPE TENSION SOLENOID ASSEMBLY, TAKEUP TAPE TENSION SOLENOID ASSEMBLY, SUPPLY (NHA 4020400)	
1	4030397-AA		SOLENOID HOUSING ASSY, TAKEUP	
2	4030397-AB		SOLENOID HOUSING ASSY, SUPPLY	
3	4590078-01		STATOR, SOLENOID	
4	4590079-01		STATOR, SOLENOID	
5	4590082-01		COIL, SOLENOID	A

SHEET 1 OF 1



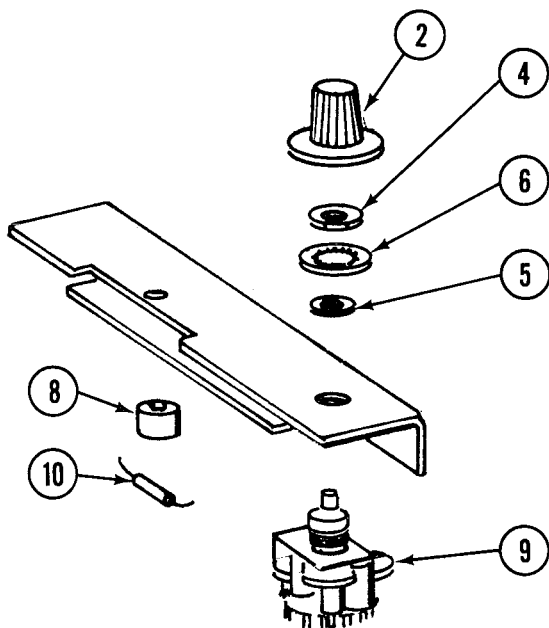
ITEM NO.	AMPEX PART NO.	REFERENCE NUMBER	DESCRIPTION	JEDEC NO. OR MFR. PART NO.
3	4041230-01 4200082-01		TAPE TIMER WHEEL ASSEMBLY (NHA 4020400) BEARING, BALL, R-4	ABEC 5 A

SHEET 1 OF 1



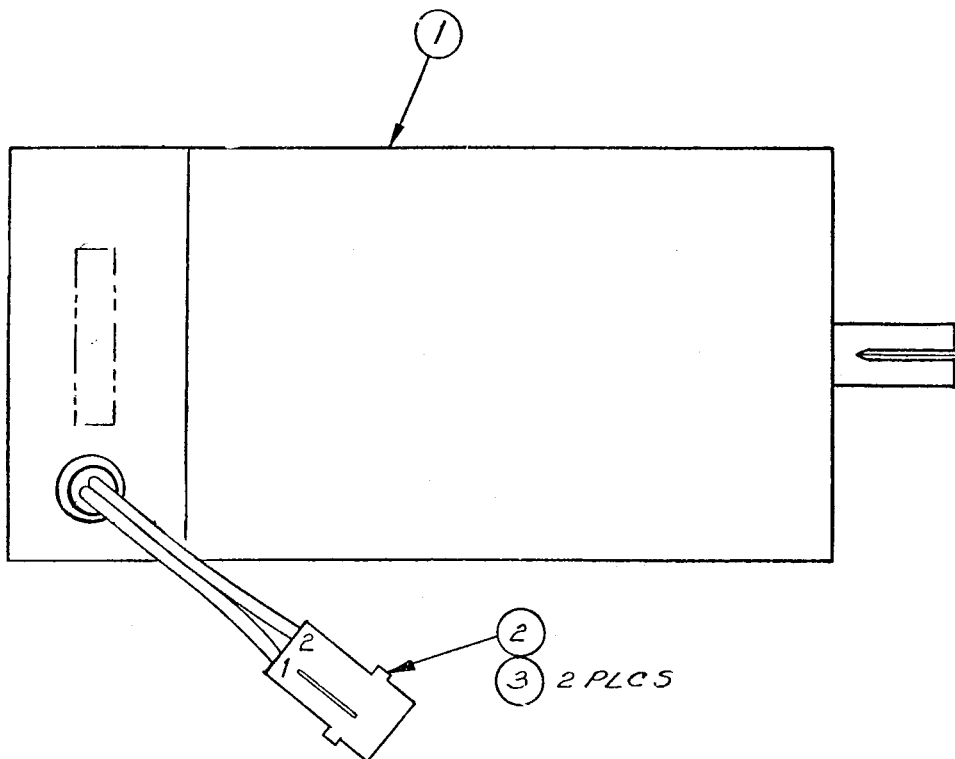
ITEM NO.	AMPEX PART NO.	REFERENCE NUMBER	DESCRIPTION	JEDEC NO. OR MFR. PART NO.
	4041242-01		SPEED SWITCH BRACKET ASSEMBLY (NHA 4020400)	
2	6000002-20		KNOB, SKIRTED, 1/2 INCH SERIES, BLACK	
4	492-095		NUT, HEX, 3/8-32	
5	501-627		WASHER, FLAT, 3/8 ID	
6	502-083		WASHER, LOCK, 3/8 ID, COARSE TOOTH	
8	581-440		DIODE, RED	HP 5082-4850
9	4620088-01		SWITCH, SPEED SELECTOR	
10	076-004		RESISTOR, CF, 180 OHM, 5%, 1/4W	C

SHEET 1 OF 1



ITEM NO.	AMPEX PART NO.	REFERENCE NUMBER	DESCRIPTION	JEDEC NO. OR MFR. PART NO.
1	4030408-01		REEL DRIVE MOTOR ASSEMBLY (NHA 4020400)	
2	4590031-01		MOTOR, REEL DRIVE	
3	167-347		CONNECTOR, FEMALE	
	167-349		CONTACT, PIN	A

SHEET 1 OF 1



ITEM NO.	AMPEX PART NO.	REFERENCE NUMBER	DESCRIPTION	JEDEC NO. OR MFR. PART NO.
	4050814-03		TRANSPORT HARNESS ASSEMBLY (NHA 4020400)	
2	4840423		TRANSPORT INTERCONNECT DIAGRAM, REV B	
4	013-878		DIODE	IN4935
9	167-024		BODY, CONNECTOR, FEMALE SHELL, 12 CONTACT	
10	167-028		BODY, CONNECTOR, FEMALE SHELL, 36 CONTACT	
11	167-335		CONTACT, PIN, 24 AWG	
12	167-336		CONTACT, PIN, 22 AWG	
13	167-337		CONTACT, PIN, 18 AWG	
14	167-340		CONTACT, SOCKET	
15	167-348		BODY, CONNECTOR, MALE SHELL, 2 CONTACT	
16	167-350		CONTACT, SOCKET, 14-20 AWG	
17	167-451		CONNECTOR BODY, MALE SHELL, 3 POS	
19	180-021		TERMINAL STRIP, 3 POSITION, A1, G, A1	
21	302-540		STRAP, CABLE, 4.0 LG	

F

ITEM NO.	AMPEX PART NO.	REFERENCE NUMBER	DESCRIPTION	JEDEC NO. OR MFR. PART NO.
4 5 6 7	4050815-01 167-024 167-335 167-336 167-337		TRANSPORT TO POWER SUPPLY HARNESS ASSEMBLY (NHA 4020400) BODY, CONNECTOR, FEMALE SHELL CONTACT, PIN, 24 AWG CONTACT, PIN 20 AWG CONTACT, PIN 18 AWG	

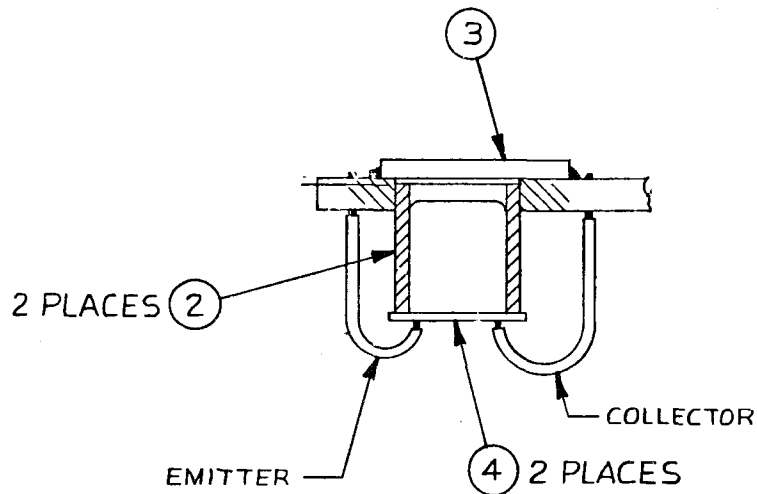
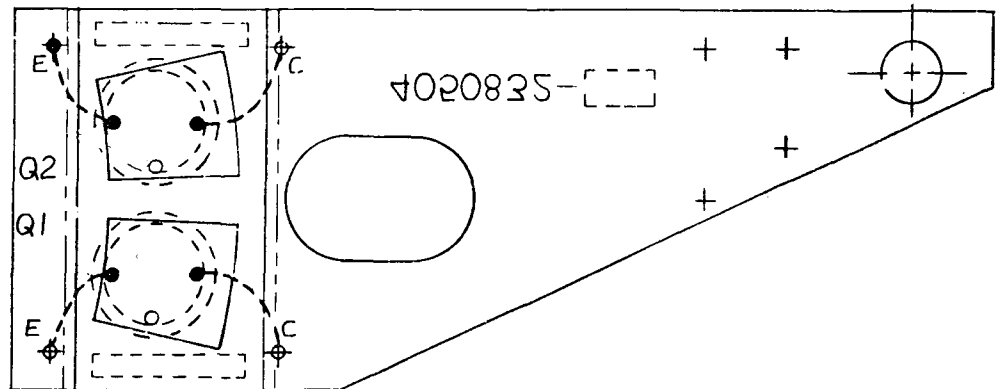
B

ITEM NO.	AMPEX PART NO.	REFERENCE NUMBER	DESCRIPTION	JEDEC NO. OR MFR. PART NO.
4 5 6	4050818-01 167-025 167-335 167-337	J16	TACHOMETERS NO. 2 HARNESS ASSEMBLY (NHA 4020400) BODY, CONNECTOR, MALE SHELL CONTACT, PIN, 24-26 AWG CONTACT, PIN, 16-18 AWG	

D

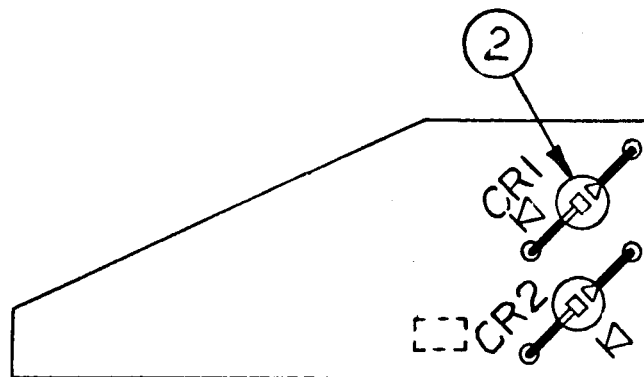
ITEM NO.	AMPEX PART NO.	REFERENCE NUMBER	DESCRIPTION	JEDEC NO. OR MFR. PART NO.
	4050832-02		CAPSTAN TACHOMETER SENSOR PWA (NHA 4020400)	
2	4250097-01		TUBE, CAPSTAN SENSOR	
3	4250214-01		GRATING, ENCODER	
4	014-942	Q1,Q2	TRANSISTOR, PHOTO	MRD-300 B

SHEET 1 OF 1



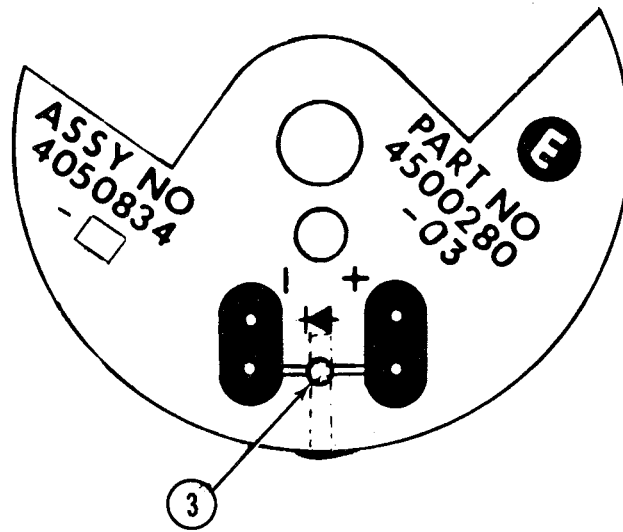
ITEM NO.	AMPEX PART NO.	REFERENCE NUMBER	DESCRIPTION	JEDEC NO. OR MFR. PART NO.
2	4050833-02 581-276	CR 1,2	CAPSTAN TACHOMETER LED PWA (NHA 4020400) DIODE, LIGHT EMITTING	MLED 900 C

SHEET 1 OF 1



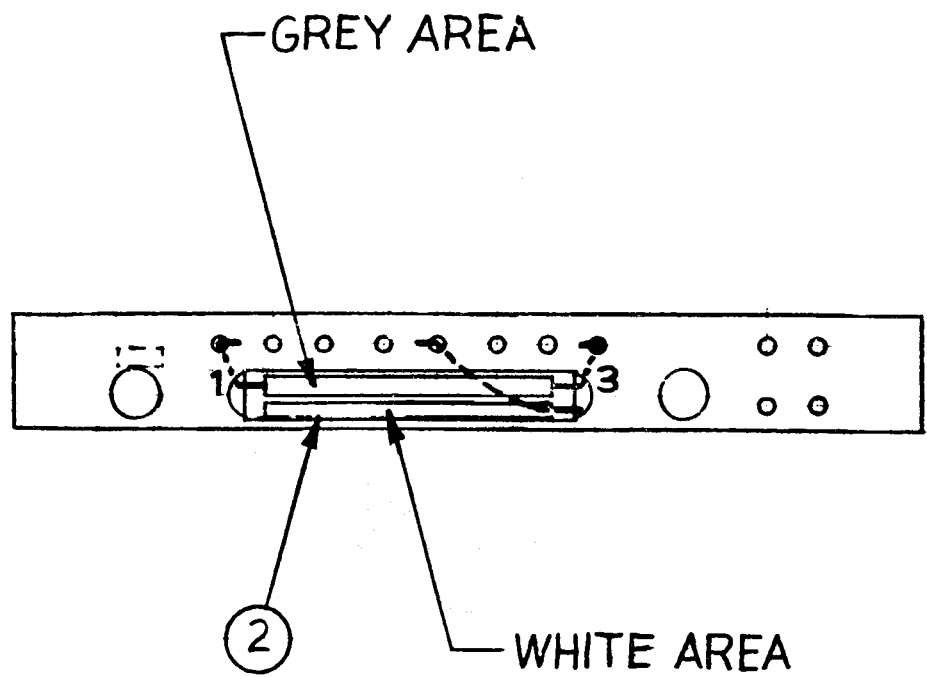
ITEM NO.	AMPEX PART NO.	REFERENCE NUMBER	DESCRIPTION	JEDEC NO. OR MFR. PART NO.
3	4050834-03 581-131	CR1	TENSION TRANSDUCER LED PWA (NHA 4020400) DIODE, LIGHT EMITTING, RED	MV50 B

SHEET 1 OF 1



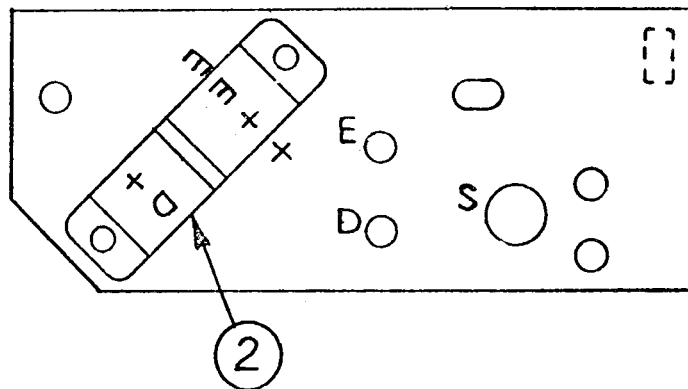
ITEM NO.	AMPEX PART NO.	REFERENCE NUMBER	DESCRIPTION	JEDEC NO. OR MFR. PART NO.
2	4050835-01 058-978		TENSION TRANSDUCER SENSOR PWA (NHA 4020400) POTENTIOMATIC	MPC1051 B

SHEET 1 OF 1



ITEM NO.	AMPEX PART NO.	REFERENCE NUMBER	DESCRIPTION	JEDEC NO. OR MFR. PART NO.
2	4050836-01 581-337		TIMER TACHOMETER PWA (NHA 4020400) TRANSDUCER	H13B1 B

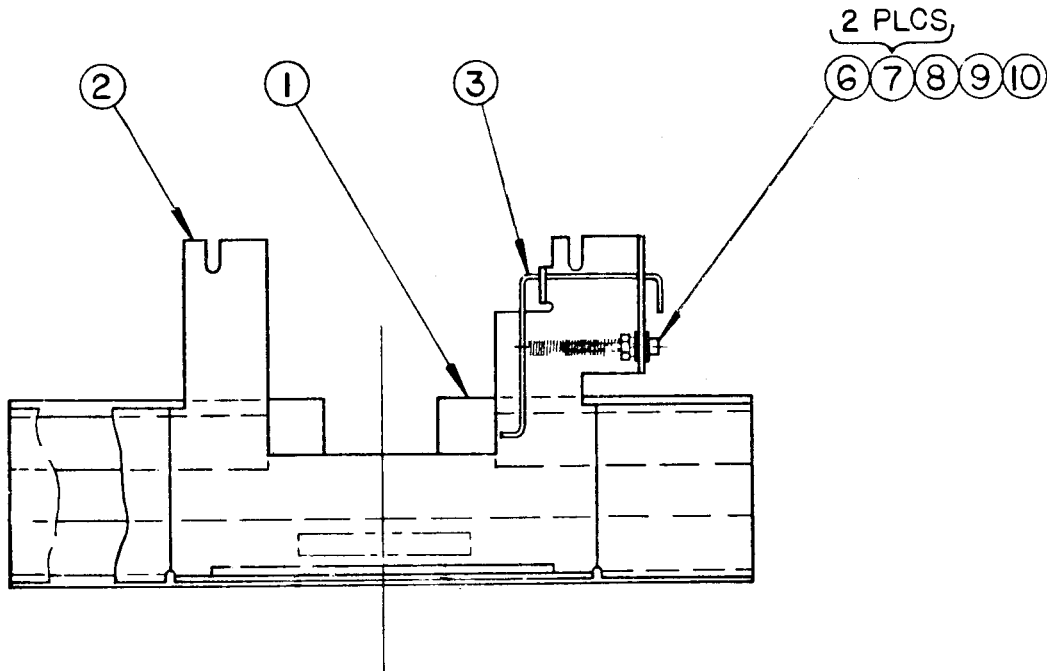
SHEET 1 OF 1



ITEM NO.	AMPEX PART NO.	REFERENCE NUMBER	DESCRIPTION	JEDEC NO. OR MFR. PART NO.
	4041229-02		HEAD GATE ASSEMBLY (NHA 4020400)	
1	4600095-01		SHIELD, HEAD, FRONT	
2	4290955-01		GATE, HEAD	
3	4120036-01		CATCH, HEAD GATE	
6	470-418		SCREW, CAP, HEX SOC, NO. 2-56 X 0.750 LG	
7	501-155		WASHER, PLAIN, NO. 2	
8	502-001		WASHER, LOCK, NO. 2	
9	492-007		NUT, PLAIN, HEX, NO. 2-56	
10	352-216		SPRING, EXTENSION, 0.125 OD X 1.00 LG	

B

SHEET 1 OF 1

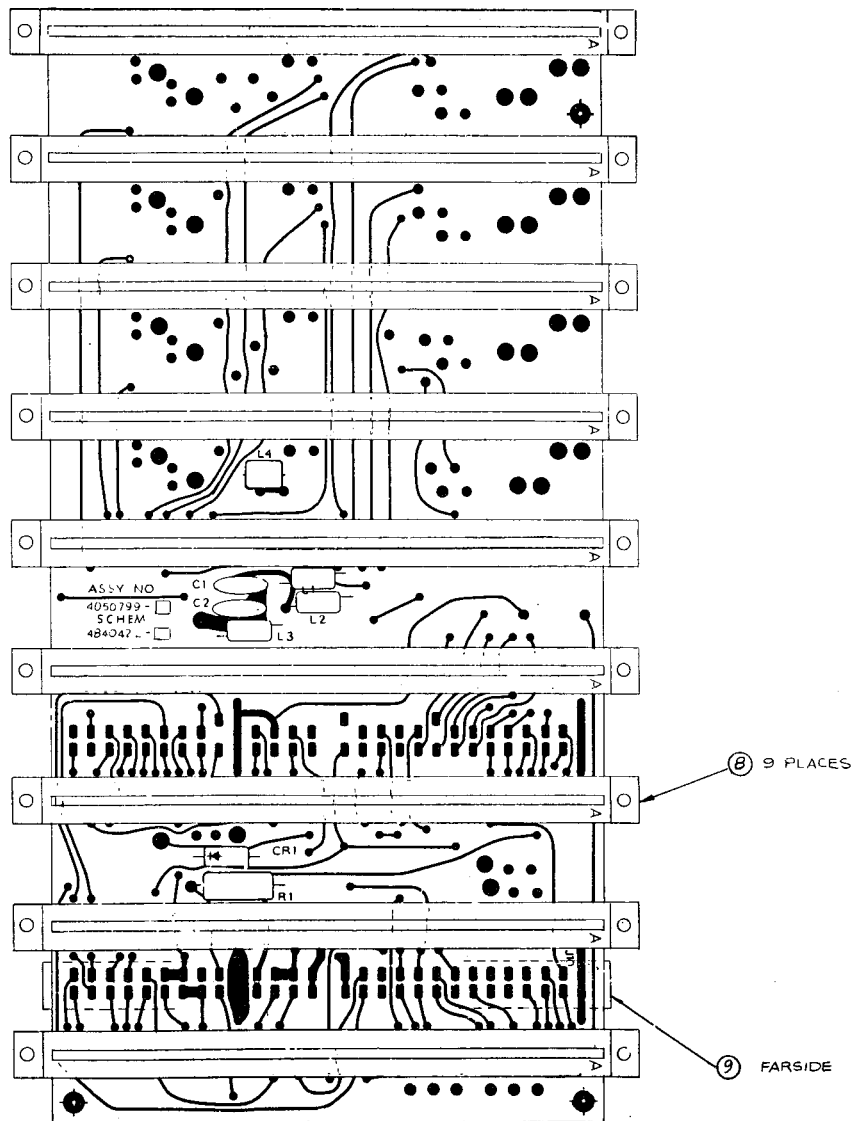


ITEM NO.	AMPEX PART NO.	REFERENCE NUMBER	DESCRIPTION	JEDEC NO. OR MFR. PART NO.
	4020404-02		ELECTRONICS CHASSIS ASSEMBLY (NHA 4020400)	
1	4050799-01		MOTHERBOARD PWA	
2	4050817-01		TACHOMETERS NO. 1 HARNESS ASSEMBLY	
3	4050819-01		REEL DRIVE HARNESS ASSEMBLY	
4	4050820-01		CONTROL/ACCESSORY HARNESS	
5	4050823-01		INPUT/OUTPUT HARNESS	
6	4050824-01		HEAD CONNECTOR AND CABLE ASSEMBLY	
7	4041257-01		REAR PANEL ASSY, ELECTRONICS	
13	171-016		LUG, CRIMP, NO. 10	
14	471-061		SCREW, PAN HEAD, NO. 4-40 X 5/16	
15	471-065		SCREW, PAN HEAD, NO. 4-40 X 5/8	
16	4840422		WIRING DIAGRAM	
17	171-160		LUG, CRIMP	
18	172-004		LUG, SOLDER, NO. 4	
21	302-335		STRAP, CABLE 0.09 WD X 4.0 LG	
22	302-379		STRAP, CABLE, 0.14 WD X 5.4 LG	
23	310-991		PLUNGER, LATCH	
24	310-992		GROMMET, LATCH	
25	421-374		BEARING, SLEEVE, 0.379 ID X 0.56 OD	
28	470-440		SCREW, FLAT HEAD, HEX SOC, NO. 4-40 X 3/8 LG	
29	496-004		NUT, WITH ASSEMBLED WASHER, NO. 4-40	
30	476-998		SCREW, SELF TAPPING, NO. 6	
32	501-008		WASHER, FLAT, NO. 4	
33	502-002		WASHER, SPRING LOCK, NO. 4	
34	530-361		GUIDE, PC	RICHCO-PGG-3 7 1/2 INCH LG
38	4050858-01		STRAP, GROUND	

E

ITEM NO.	AMPEX PART NO.	REFERENCE NUMBER	DESCRIPTION	JEDEC NO. OR MFR. PART NO.
	4050799-01		MOTHERBOARD PWA (NHA 4020404)	
2	4840422		SCHEMATIC	
3	013-678	CR-1	DIODE	IN4005
4	041-141	R1	RESISTOR, COMP, 470 OHM, 1W, 5%	
5	068-025	L4	INDUCTOR, 100 UF, 5%	
6	051-770	L1,2,3	CHOKE, FERRITE	
7	064-115	C1,2	CAPACITOR, CERAMIC, 0.1 UF, 50V	
8	139-841	J1-9	CONNECTOR, PC, 56 PIN	
9	139-844	J10	CONNECTOR, PC, 56 PIN	

SHEET 1 OF 1



ITEM NO.	AMPEX PART NO.	REFERENCE NUMBER	DESCRIPTION	JEDEC NO. OR MFR. PART NO.
4 5 6	4050817-01 167-024 167-338 167-340	P16	TACHOMETERS NO. 1 HARNESS ASSEMBLY (NHA 4020404) BODY, CONNECTOR, FEMALE SHELL CONTACT, SOCKET, 24-26 AWG CONTACT, SOCKET, 16-18 AWG	D

SHEET 1 OF 1

ITEM NO.	AMPEX PART NO.	REFERENCE NUMBER	DESCRIPTION	JEDEC NO. OR MFR. PART NO.
3 4	4050819-01 167-025 167-339	P15	REEL DRIVE HARNESS ASSEMBLY (NHA 4020404) BODY, CONNECTOR, MALE SHELL CONTACT, SOCKET	

C

SHEET 1 OF 1

ITEM NO.	AMPEX PART NO.	REFERENCE NUMBER	DESCRIPTION	JEDEC NO. OR MFR. PART NO.
	4050823-01		INPUT/OUTPUT HARNESS ASSEMBLY (NHA 4020404)	
3	4840422		WIRING DIAGRAM	
5	145-079	013,14	CONNECTOR, RECEPTACLE, 24 PIN	
6	172-004		LUG, SOLDER, NO. 4	
10	470-002		SCREW, CAP, NO. 2-56 X 1/4	
11	470-008		SCREW, CAP, NO. 4-40 X 1/4	
13	492-008		NUT, PLAIN, HEX, NO. 4-40	
15	502-001		WASHER, SPRING LOCK, NO. 2	

D

ITEM NO.	AMPEX PART NO.	REFERENCE NUMBER	DESCRIPTION	JEDEC NO. OR MFR. PART NO.
	4050824-01		HEAD CONNECTOR AND CABLE ASSEMBLY (NHA 4020404)	
1	4170333-01		INSULATOR, ELECT. HEAD CONN.	
2	4260564-01		BRACKET, CONNECTOR GROUNDING	
4	4290903-01		COVER, SHIELD	
5	4600091-01		SHIELD, HEAD CABLE	
7	143-198		CONNECTOR, 22 PIN	
25	470-008		SCREW, CAP, HEX, SOCKET, NO. 4-40 X 1/4	
26	470-012		SCREW, CAP, HEX, SOCKET, NO. 4-40 X 1/2	
29	502-002		WASHER, LOCK, SPRING, NO. 4	
30	502-024		WASHER, LOCK, INT, NO. 4	
31	501-169		WASHER, PLAIN, FLAT, NO. 4, SM. PATT	

D

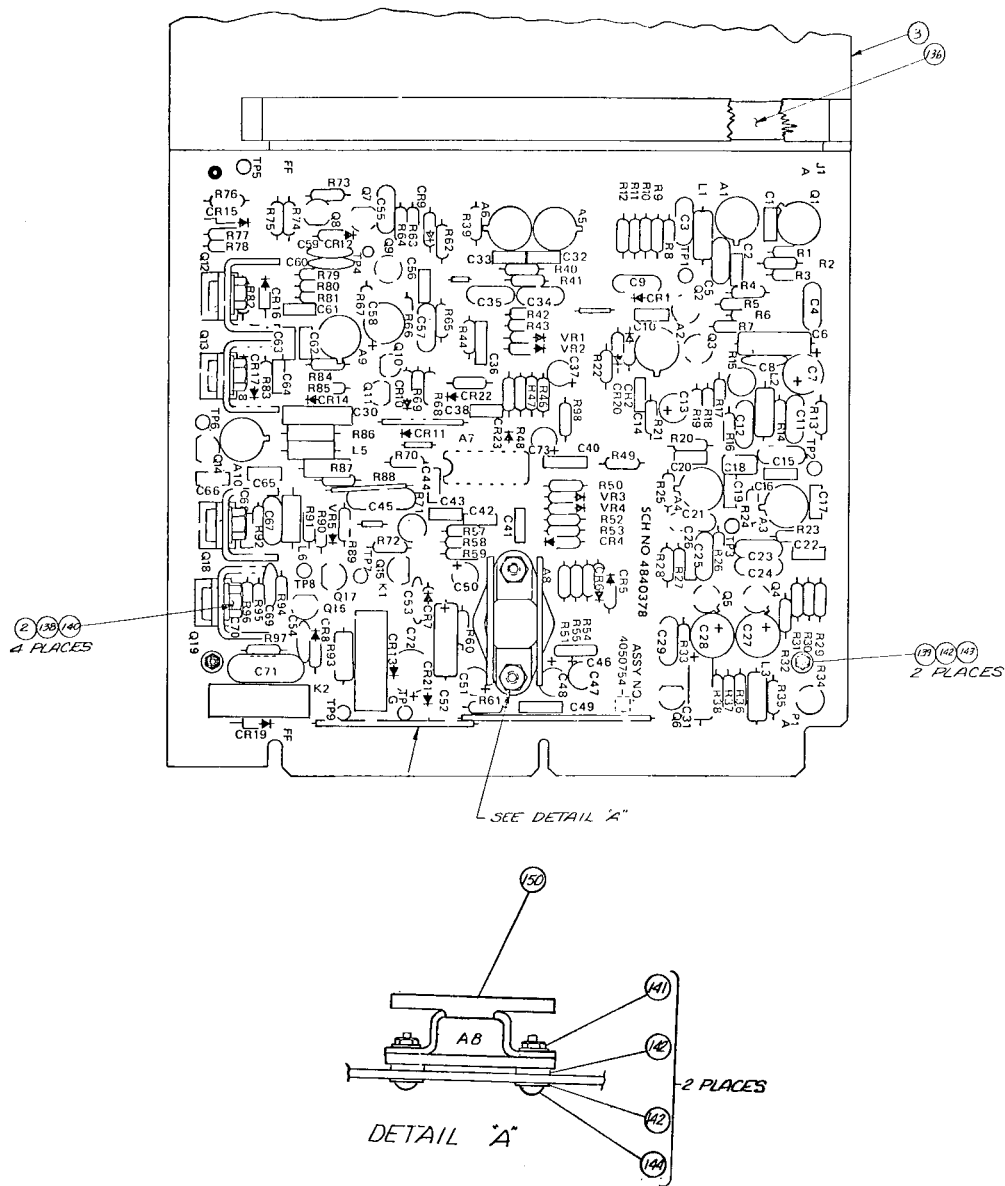
ITEM NO.	AMPEX PART NO.	REFERENCE NUMBER	DESCRIPTION	JEDEC NO. OR MFR. PART NO.
	4050754-06		MAIN AUDIO PWA NOS. 1, 2, 3, 4 (NHA 4010260, 4010261, 4010262)	
2	4290857-01		HEATSINK	
3	4600097-01		SHIELD, AUDIO	
4	4840378		SCHEMATIC	
7	013-166	VR5	DIODE	IN764A
8	013-332	VR1	DIODE	IN750A
9	013-450	VR3,4	DIODE	IN961B
10	013-703	VR2	DIODE	IN968B
13	013-689	CR15-CR16	DIODE	CD6016
15	014-631	Q1	TRANSISTOR	2N3536
16	014-652	Q6,8,14	TRANSISTOR	2N3906
17	014-653	Q7,10,11,15-17	TRANSISTOR	2N3904
18	580-304	Q2,3,9	TRANSISTOR	P1087E
19	580-760	Q12,18	TRANSISTOR	D44C9
20	580-761	Q13,19	TRANSISTOR	D45C9
21	580-646	Q4,5	TRANSISTOR	CD701
22	013-599	CR1,2,4-14,17-23	DIODE	IN914
24	014-914	A1-6,9,10,Q1	PAD, MOUNTING, 8-PIN	
25	280-130	Q2-5,9	PAD, TRANSISTOR	
28	020-829	K1,2	RELAY, REED, 12V	
31	034-156	C57	CAPACITOR, MICA, 5pF, $\pm 0.5\text{pF}$, 500V	
32	034-215	C4,15,25,34,35	CAPACITOR, MICA, 10pF, $\pm 0.5\text{pF}$, 500V	
33	034-963	C21,23	CAPACITOR, MICA, 15pF, 5%, 500V	
34	034-180	C9	CAPACITOR, MICA, 39pF, 5%, 500V	
35	034-181	C11,24	CAPACITOR, MICA, 47pF, 5%, 500V	
36	034-940	C5	CAPACITOR, MICA, 82pF, 5%, 500V	
38	034-283	C67	CAPACITOR, MICA, 820pF, 5%, 300V	
39	056-291	C29	CAPACITOR, MICA, 470pF, 1%, 500V	
40	034-222	C55	CAPACITOR, MICA, 100pF, 1%, 500V	
41	034-319	C3	CAPACITOR, MICA, 270pF, 5%, 500V	
42	034-228	C12	CAPACITOR, MICA, 620pF, 5%, 300V	
44	034-363	C71	CAPACITOR, MICA, 2000pF, 1%, 500V	
45	034-730	C45	CAPACITOR, MICA, 1800pF, 1%, 500V	
46	037-812	C13,37,47,50	CAPACITOR, TANT, DIPPED, 10 UF, 25V, 20%	
47	037-740	C52	CAPACITOR, TANT, TUBULAR, 33 UF, 10V, 10%	
50	037-745	C6,31	CAPACITOR, TANT, TUBULAR, 47 UF, 10%, 6V	
52	037-931	C48,51	CAPACITOR, TANT, DIPPED, 6.8 UF, 35V, 20%	
55	037-973	C27,28,58	CAPACITOR, TANT, DIPPED, 330 UF, 6V, 20%	
56	037-970	C7	CAPACITOR, TANT, DIPPED, 150 UF, 6V, 20%	
57	055-712	C30	CAPACITOR, MYLAR, 0.15 UF, 5%, 50V	
58	055-166	C36,40,46,49	CAPACITOR, MYLAR, 0.001 UF, 5%, 50V	
59	064-116	C8,53,54,59,60,69	CAPACITOR, CERAMIC, 0.01 UF, +80-20%, 50V	
60	037-893	C73	CAPACITOR, TANT, DIPPED, 15 UF, 20%, 20V	
61	037-960	C72	CAPACITOR, TANT, DIPPED, 150 UF, 20%, 15V	
64	064-193	C18,38,41,43	CAPACITOR, CER, MONO, 0.22 UF, 10%, 50V	
65	064-062	C1,2,10,14,16,17,19,20,22,26,32,33,42,56,61-66,68,70	CAPACITOR, CER, MONO, 0.1 UF, 20%, 100V	
68	041-657	R87	RESISTOR, CC, 2.7 OHM, 5%, 1/2W	
69	041-002	R93	RESISTOR, CC, 10 OHM, 5%, 1/2W	
70	041-489	R86	RESISTOR, CC, 33 OHM, 5%, 1/2W	
72	041-780	R42	RESISTOR, CC, 2.7 OHM, 5%, 1/4W	
74	041-789	R5	RESISTOR, CC, 6.8 OHM, 5%, 1/4W	
75	041-568	R50	RESISTOR, CC, 4.7 MEGOHM, 5%, 1/4W	
77	044-944	R15	RESISTOR, VARIABLE, 5 K, 20%, 1/2W	

J

ITEM NO.	AMPEX PART NO.	REFERENCE NUMBER	DESCRIPTION	JEDEC NO. OR MFR. PART NO.
78	058-611	R71	RESISTOR, VARIABLE, 100K, 20%, 1/2W	
79	058-001	R34	RESISTOR, VARIABLE, 50K, 20%, 1/2W	
81	066-830	R13,19,44,52,55, 92,98	RESISTOR, CF, 10K, 5%, 1/4W	
84	042-379	R8	RESISTOR, MF, 5.90K, 1%, 1/8W	
85	062-983	R27-30	RESISTOR, MF, 10.0K, 1%, 1/8W	
86	062-694	R36	RESISTOR, MF, 15.0K, 1%, 1/8W	
87	076-019	R9	RESISTOR, MF, 59.0K, 1%, 1/8W	
88	062-624	R31	RESISTOR, MF, 1.00K, 1%, 1/8W	
89	076-190	R11,22	RESISTOR, MF, 64.9K, 1%, 1/8W	
90	066-655	R24,25,39	RESISTOR, MF, 68.1K, 1%, 1/8W	
91	066-017	R1-3	RESISTOR, MF, 75.0K, 1%, 1/8W	
92	062-601	R40	RESISTOR, MF, 100K, 1%, 1/8W	
93	066-926	R41	RESISTOR, MF, 267K, 1%, 1/8W	
94	076-017	R20,23	RESISTOR, MF, 681K, 1%, 1/8W	
95	062-831	R32	RESISTOR, MF, 68.1 OHM, 1%, 1/8W	
96	062-847	R37	RESISTOR, MF, 100 OHM, 1%, 1/8W	
97	066-810	R76-82	RESISTOR, CF, 10 OHM, 5%, 1/4W	
98	066-834	R12	RESISTOR, CF, 33 OHM, 5%, 1/4W	
99	066-812	R35,38	RESISTOR, CF, 100 OHM, 5%, 1/4W	
100	076-004	R69	RESISTOR, CF, 180 OHM, 5%, 1/4W	
101	066-838	R18,49	RESISTOR, CF, 330 OHM, 5%, 1/4W	
102	066-665	R4	RESISTOR, CF, 1K, 5%, 1/4W	
103	066-816	R94,79,80	RESISTOR, CF, 390 OHM, 5%, 1/4W	
106	066-824	R16	RESISTOR, CF, 1.5K, 5%, 1/4W	
107	066-675	R75	RESISTOR, CF, 1.8K, 5%, 1/4W	
108	066-718	R64	RESISTOR, CF, 5.6K, 5%, 1/4W	
109	066-689	R89	RESISTOR, CF, 2.2K, 5%, 1/4W	
110	066-720	R77	RESISTOR, CF, 3.3K, 5%, 1/4W	
111	066-668	R43	RESISTOR, CF, 4.7K, 5%, 1/4W	
112	066-843	R17,54	RESISTOR, CF, 6.2K, 5%, 1/4W	
113	066-829	R78,81	RESISTOR, CF, 6.8K, 5%, 1/4W	
114	066-666	R53	RESISTOR, CF, 2.7K, 5%, 1/4W	
115	066-711	R59	RESISTOR, CF, 7.5K, 5%, 1/4W	
118	066-712	R57,58,68,73,84, 85,88,90,91	RESISTOR, CF, 22K, 5%, 1/4W	
120	066-669	R95	RESISTOR, CF, 8.2K, 5%, 1/4W	
121	066-866	R33	RESISTOR, CF, 27K, 5%, 1/4W	
122	066-846	R10,21	RESISTOR, CF, 30K, 5%, 1/4W	
123	076-046	R65	RESISTOR, CF, 36K, 5%, 1/4W	
124	066-860	R60	RESISTOR, CF, 39K, 5%, 1/4W	
125	066-845	R70,74	RESISTOR, CF, 24K, 5%, 1/4W	
126	066-842	R14,26	RESISTOR, CF, 5.1K, 5%, 1/4W	
127	066-717	R46,47,83	RESISTOR, CF, 47K, 5%, 1/4W	
128	066-833	R6,7	RESISTOR, CF, 56K, 5%, 1/4W	
129	066-958	R61,66	RESISTOR, CF, 75K, 5%, 1/4W	
131	066-974	R48	RESISTOR, CF, 150K, 5%, 1/4W	
132	066-652	R97	RESISTOR, CF, 470K, 5%, 1/4W	
133	066-873	R51	RESISTOR, CF, 20K, 5%, 1/4W	
134	066-849	R62,63,67,96	RESISTOR, CF, 100K, 5%, 1/4W	
136	139-842	O1	CONNECTOR, 56 PIN	
137	066-867	R72	RESISTOR, CF, 51K, 5%, 1/4W	
138	496-002		NUT, WITH ASSEMBLED WASHER, 6-32	
139	470-009		SCREW, CAP, NO. 4-40 X 5/16	
140	471-068		SCREW, PAN HD, NO. 6-32 X 5/16 INCH	
141	496-004		NUT, WITH ASSEMBLED WASHER, NO. 4-40	
142	501-169		WASHER, FLAT HEAD, NO. 4	

J

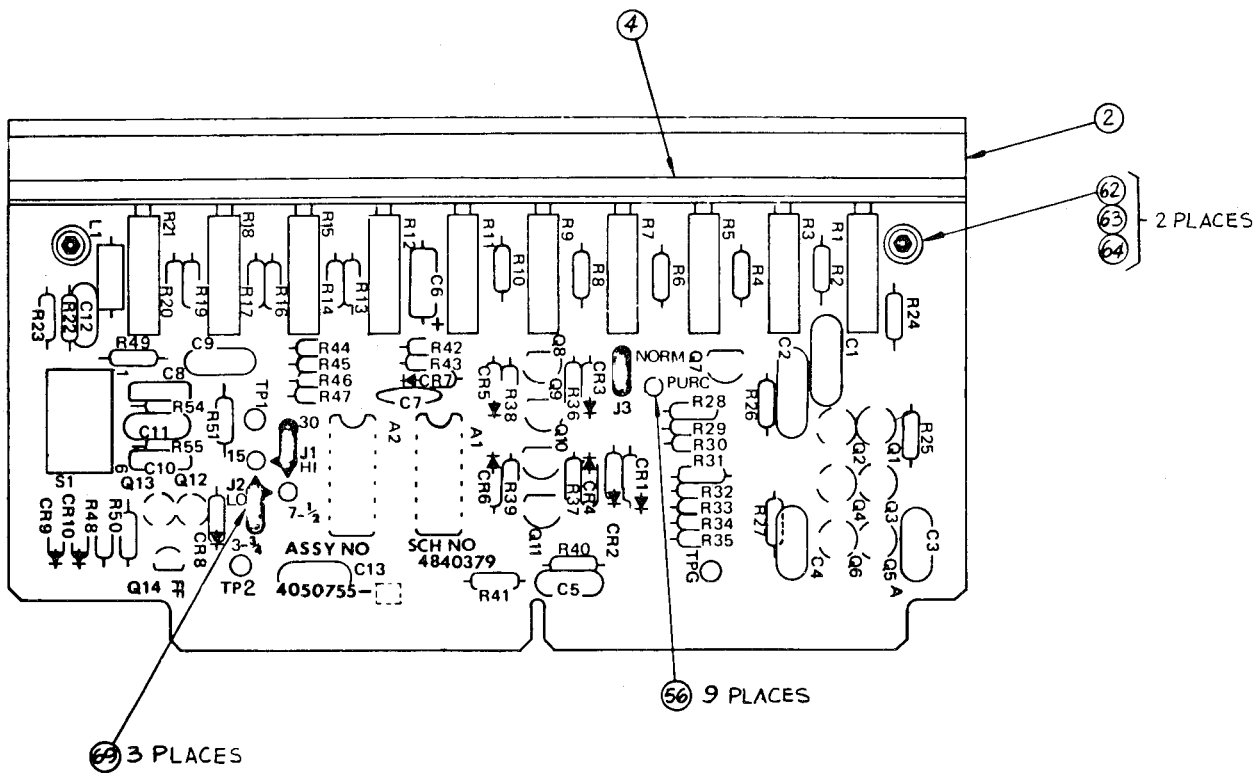
ITEM NO.	AMPEX PART NO.	REFERENCE NUMBER	DESCRIPTION	JEDEC NO. OR MFR. PART NO.
143	502-002		WASHER, SPRING, LOCK, NO. 4	
144	471-062		SCREW, PAN HD, NO. 4-40 X 3/8	
145	540-011	L3	INDUCTOR, 22 UH, 10%	
147	540-003	L2,5	INDUCTOR, 220 UH, 5%	
148	540-074	L6	INDUCTOR, 1500 UH, 10%	
149	540-059	L1	INDUCTOR, 4700 UH, 10%	
150	580-828		HEATSINK	
152	587-458	A7	INTEGRATED CIRCUIT	LM324
153	587-478	A1-6,9,10	INTEGRATED CIRCUIT	LM318H
156	587-701	A8	INTEGRATED CIRCUIT	RC4194TK J



ITEM NO.	AMPEX PART NO.	REFERENCE NUMBER	DESCRIPTION	JEDEC NO. OR MFR. PART NO.
	4050755-01		PADNET PWA (NHA 4010260, 4010261, 4010262)	
2	4120030-01		HANDLE, AUDIO	
3	4840379		SCHEMATIC	
4	4170326-01		LABEL, PWB HANDLE, AUDIO	
6	013-599	CR1-10	DIODE	IN914
7	014-652	Q7	TRANSISTOR	2N3906
8	014-653	Q14	TRANSISTOR	2N3904
10	580-156	Q8-11	TRANSISTOR	2N5461
11	580-304	Q1-6,12,13	TRANSISTOR	P1087E
13	034-371	C13	CAPACITOR, MICA, 510 PF, 1%, 300V	
14	034-213	C9,11	CAPACITOR, MICA, 150 PF, 5%, 500V	
15	034-309	C5	CAPACITOR, MICA, 560 PF, 1%, 300V	
16	034-250	C12	CAPACITOR, MICA, 620 PF, 1%, 300V	
17	034-735	C1,2	CAPACITOR, MICA, 3300 PF, 1%, 500V	
18	034-934	C3,4	CAPACITOR, MICA, 360 PF, 5%, 500V	
19	035-815	C8,10	CAPACITOR, MYLAR, 0.027 UF, 5%, 50V	
21	037-164	C6	CAPACITOR, TANT, 1.0 UF, 10%, 35V	
22	064-116	C7	CAPACITOR, CER, 0.01 UF +80-20%, 50V	
24	041-393	R27	RESISTOR, CC, 1.0M, 5%, 1/4W	
25	041-774	R36	RESISTOR, CC, 1.5M, 5%, 1/4W	
26	041-780	R25	RESISTOR, CC, 2.7M, 5%, 1/4W	
29	062-601	R16,17,20	RESISTOR, MF, 100K, 1%, 1/8W	
30	066-022	R54,55	RESISTOR, MF, 200K, 1%, 1/8W	
31	066-660	R13	RESISTOR, CF, 22 OHM, 5%, 1/4W	
32	066-818	R2,4	RESISTOR, CF, 470 OHM, 5%, 1/4W	
33	066-820	R6,8	RESISTOR, 750 OHM, 5%, 1/4W	
34	066-689	R41	RESISTOR, CF, 2.2K, 5%, 1/4W	
35	066-668	R43	RESISTOR, CF, 4.7K, 5%, 1/4W	
39	066-718	R40	RESISTOR, CF, 5.6K, 5%, 1/4W	
40	066-830	R10	RESISTOR, CF, 10K, 5%, 1/4W	
41	066-856	R44,45	RESISTOR, CF, 15K, 5%, 1/4W	
43	066-832	R22,47	RESISTOR, CF, 18K, 5%, 1/4W	
45	066-847	R23,28-34,48-51	RESISTOR, CF, 33K, 5%, 1/4W	
46	066-849	R14,35,46	RESISTOR, CF, 100K, 5%, 1/4W	
47	076-050	R38	RESISTOR, CF, 270K, 5%, 1/4W	
48	076-053	R24,26	RESISTOR, CF, 390K, 5%, 1/4W	
49	066-652	R37	RESISTOR, CF, 470K, 5%, 1/4W	
50	066-858	R42	RESISTOR, CF, 4.7M, 5%, 1/4W	
51	076-055	R39	RESISTOR, CF, 750K, 5%, 1/4W	
52	058-668	R1,3,7,11,12,15,18,21	RESISTOR, VARIABLE, 20K, 10%	
53	058-388	R5,9	RESISTOR, VARIABLE, 50K, 10%	
56	143-981	O1,2,3	CONNECTOR, JACK, PC	
58	119-327	S1	SWITCH, 6 POLE, DUAL-INLINE	
60	280-130	Q1-6,12,13	PAD, TRANSISTOR MOUNT	
62	470-010		SCREW, CAP, NO. 4/40 X 3/8	
63	501-169		WASHER, FLAT, NO. 4	
64	502-002		WASHER, SPRING LOCK, NO. 4	
66	540-003	L1	INDUCTOR, MOULDED, 220 UH 5%	
68	587-319	A1,2	INTEGRATED CIRCUIT	4011
69	602-012	P1-3	PLUG, SHORTING	

D

SHEET 1 OF 1

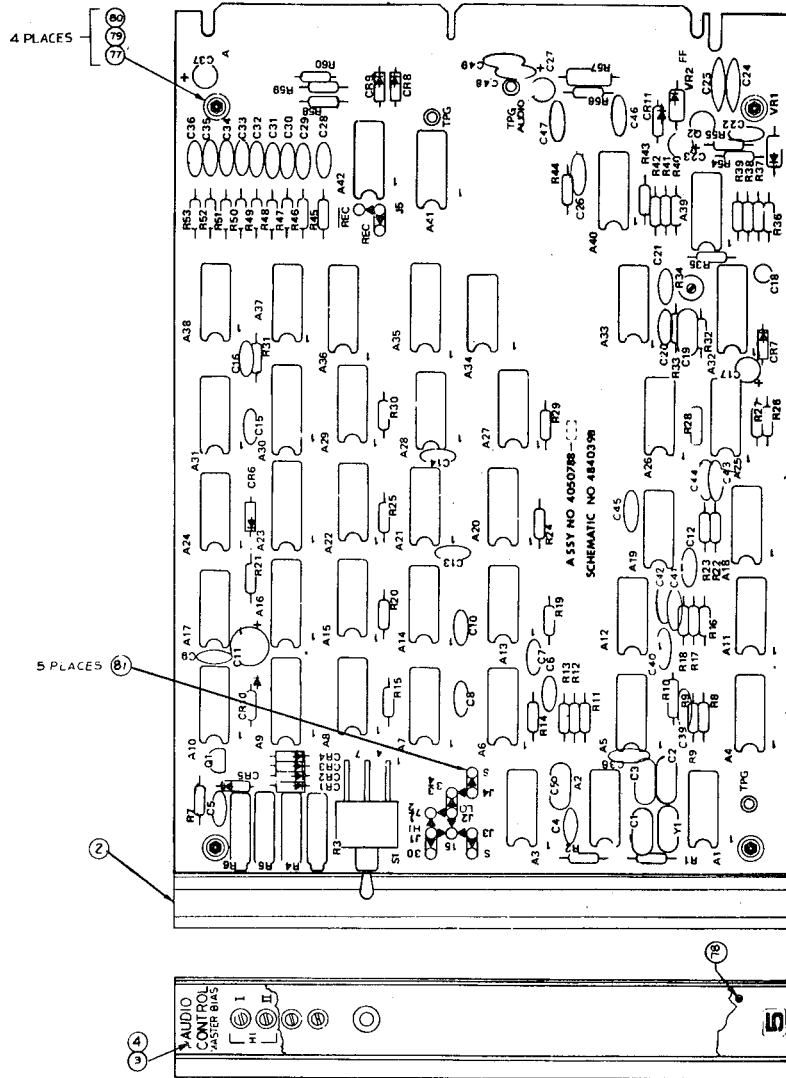


Assembly No. 4050755. PADNET PWA

ITEM NO.	AMPEX PART NO.	REFERENCE NUMBER	DESCRIPTION	JEDEC NO. OR MFR. PART NO.
	4050788-04		AUDIO CONTROL PWA, NO. 5 (NHA 4010260, 4010261, 4010262)	
2	4041254-01		SHIELD ASSEMBLY, PWA	
3	4170329-AA		LABEL, AUDIO CONTROL 2 SPEED	
4	4170329-AB		LABEL, AUDIO CONTROL, 4 SPEED	
7	4840398		SCHEMATIC	
10	013-599	CR1-9	DIODE	IN914
11	013-358	VR-1	DIODE	IN751A
12	581-290	VR2	DIODE	IN4744A
13	013-650	CR10	DIODE	IN270
14	013-678	CR11	DIODE	IN4005
15	014-248	Q2	TRANSISTOR	2N2222
16	014-653	Q1	TRANSISTOR	2N3904
19	017-149		CRYSTAL, 5.184 MHZ	
21	034-177	C19,50	CAPACITOR, MICA, 100 PF, 5%, 500V	
22	034-376	C1	CAPACITOR, MICA, 33 PF \pm 0.5 PF, 500V	
24	034-253	C3	CAPACITOR, MICA, 330 PF, 1%, 500V	
25	034-298	C2	CAPACITOR, MICA, 390 PF, 5%, 500V	
27	064-152	C26	CAPACITOR, CERAMIC, 0.001 UF, 10%, 50V	
29	064-115	C24,25	CAPACITOR, CERAMIC, 0.1 UF, +80-20%, 50V	
30	064-116	C4-10,12-16,20-22, 28-36,38-49	CAPACITOR, CERAMIC, 0.01 UF, +80-20%, 50V	
31	037-900	C18	CAPACITOR, TANT, DIPPED, 0.68 UF \pm 20%, 35V	
32	037-812	C23,27	CAPACITOR, TANT, DIPPED, 10 UF, 25V	
33	067-041	C17,37	CAPACITOR, TANT, DIPPED, 68 UF, 6V	
34	037-973	C11	CAPACITOR, TANT, DIPPED, 330 UF, 6V	
38	041-042	R57	RESISTOR, CC, 330 OHM, 10%, 1/2W	
41	066-812	R1,35,56	RESISTOR, CF, 100 OHM, 5%, 1/4W	
42	066-661	R44	RESISTOR, CF, 120 OHM, 5%, 1/4W	
43	066-821	R2	RESISTOR, CF, 820 OHM, 5%, 1/4W	
46	066-665	R11-13	RESISTOR, CF, 1.0K, 5%, 1/4W	
47	066-826	R54	RESISTOR, CF, 2.0K, 5%, 1/4W	
48	066-689	R15,20,21,25,26, 28,30,45-53	RESISTOR, CF, 2.2K, 5%, 1/4W	
49	066-668	R8-10,16-18,22,23 31,36	RESISTOR, CF, 4.7K, 5%, 1/4W	
52	066-718	R14,19,24,29	RESISTOR, CF, 5.6K, 5%, 1/4W	
53	066-829	R33	RESISTOR, CF, 6.8K, 5%, 1/4W	
54	066-856	R7	RESISTOR, CF, 15K, 5%, 1/4W	
57	066-712	R39,41	RESISTOR, CF, 22K, 5%, 1/4W	
58	066-846	R32	RESISTOR, CF, 30K, 5%, 1/4W	
59	066-848	R27	RESISTOR, CF, 43K, 5%, 1/4W	
60	066-717	R55	RESISTOR, CF, 47K, 5%, 1/4W	
61	076-009	R40	RESISTOR, CF, 68K, 5%, 1/4W	
62	066-676	R37,38,42,43	RESISTOR, CF, 560K, 5%, 1/4W	
65	058-611	R34	POTENTIOMETER, 1-TURN, 10K	
66	058-341	R3-6	POTENTIOMETER, 20-TURN, 2K	
73	119-373	S1	SWITCH, TPDT	
75	143-981		CONNECTOR, PC, TIP JACK	
77	470-009		SCREW, CAP., NO. 4-40 X 5/16	
78	473-592		SCREW, BINDER HD, NO. 2-56 X 3/16	
79	501-169		WASHER, FLAT, NO. 4	
80	502-002		WASHER, SPRING LOCK, NO. 4	
81	602-012	P1-5	PLUG, SHORTING	
82	586-075	A7,14,21,26,28, 40,42	INTEGRATED CIRCUIT	7400
83	586-326	A2,6,13,20,27	INTEGRATED CIRCUIT	7404

H

ITEM NO.	AMPEX PART NO.	REFERENCE NUMBER	DESCRIPTION	JEDEC NO. OR MFR. PART NO.
84	586-713	A5,12,19	INTEGRATED CIRCUIT, OC, HV	7407
85	586-076	A8,15,22,29	INTEGRATED CIRCUIT	7410
87	586-890	A38	INTEGRATED CIRCUIT	7417
88	586-077	A34	INTEGRATED CIRCUIT	7420
89	587-543	A3	INTEGRATED CIRCUIT	7426
90	586-918	A10,17,24,31,37	INTEGRATED CIRCUIT	7432
92	586-108	A25	INTEGRATED CIRCUIT	7474
93	586-248	A11	INTEGRATED CIRCUIT	7490
94	587-084	A1,2,18	INTEGRATED CIRCUIT	7492
95	586-785	A33,41	INTEGRATED CIRCUIT	7495
97	586-948	A35,36	INTEGRATED CIRCUIT	74153
98	587-266	A9,16,23,30	INTEGRATED CIRCUIT	74279
99	587-144	A32	INTEGRATED CIRCUIT	9602
100	587-447	A39	INTEGRATED CIRCUIT	MC14007 H



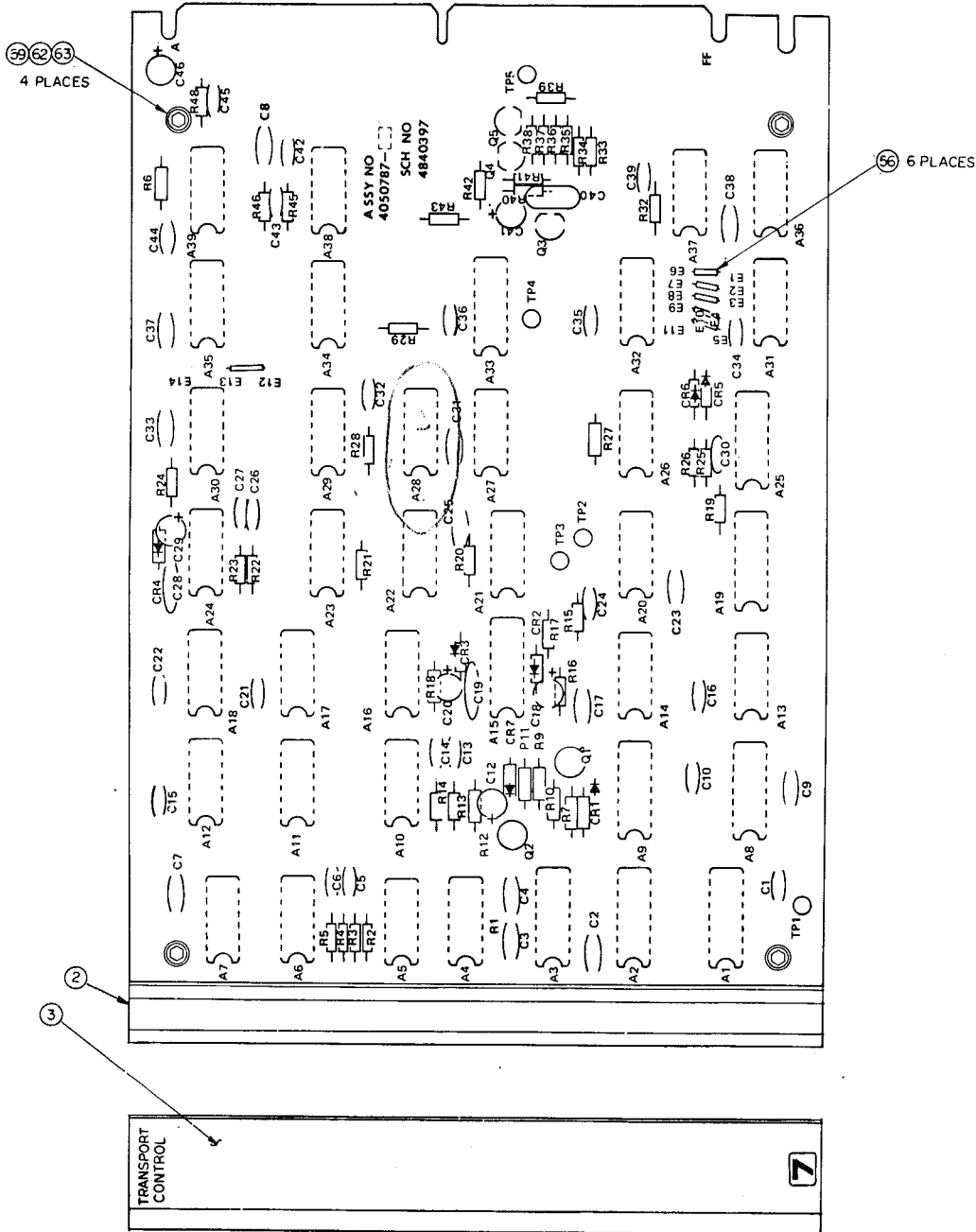
TRANSPORT LOGIC
AND TAPE TIMER
(TRANSPORT CONTROL)

ITEM NO.	AMPEX PART NO.	REFERENCE NUMBER	DESCRIPTION	JEDEC NO. OR MFR. PART NO.
	4050787-02		TRANSPORT LOGIC AND TAPE TIMER PWA, NO. 7 (TRANSPORT CONTROL) (NHA 4010260, 4010261, 4010262)	
2	4041244-01		SHIELD ASSY, PWA	
3	4170327-AA		LABEL, PWA	
4	4840397		SCHEMATIC, REV LTR B	
6	013-599	CR2-6	DIODE	IN914
7	013-650	CR1	DIODE	IN270
8	013-678	CR7	DIODE	IN4005
9	014-653	Q4,5	TRANSISTOR	2N3904
10	014-652	Q3	TRANSISTOR	2N3906
12	014-248	Q1	TRANSISTOR	2N2222
13	064-115	C19,28	CAPACITOR, CERAMIC, DISC 0.1 UF, 50V	
14	034-228	C40	CAPACITOR, MICA, DIPPED, 620 PF, 300V	
15	037-954	C12,41	CAPACITOR, TANT, DIPPED, 22 UF, 15V	
16	037-812	C20	CAPACITOR, TANT, DIPPED, 10 UF, 25V	
17	037-298	C29	CAPACITOR, TANT, DIPPED, 47 UF, 6V	
19	067-041	C46	CAPACITOR, TANT, DIPPED, 68 UF, 6V	
20	037-970	C18	CAPACITOR, TANT, 150 UF, 6V	
22	064-116	C1-10,13-17,21-27, 30-37,38,39,42-45	CAPACITOR, CERAMIC, DISC, 0.01 UF	
23	066-827	R38	RESISTOR, CF, 3.9K, 5%, 1/4W	
24	066-660	R43	RESISTOR, CF, 22 OHM, 5%, 1/4W	
25	076-003	R39	RESISTOR, CF, 56 OHM, 5%, 1/4W	
27	066-661	R1,20	RESISTOR, CF, 120 OHM, 5%, 1/4W	
28	076-004	R33	RESISTOR, CF, 180 OHM, 5%, 1/4W	
30	066-689	R4,5,13,14,22,23, 28,45,48	RESISTOR, CF, 2.2K, 5%, 1/4W	
31	066-842	R36,37,41	RESISTOR, CF, 5.1K, 5%, 1/4W	
32	066-843	R2,3,6,7,15,19,21, 25,5,26,27,29,32, 46	RESISTOR, CF, 6.2K, 5%, 1/4W	
34	066-856	R40	RESISTOR, CF, 15K, 5%, 1/4W	
35	066-847	R16,18,24	RESISTOR, CF, 33K, 5%, 1/4W	
38	586-075	A4,7,11,18,21,22, 27,34,35	INTEGRATED CIRCUIT	7400
39	586-109	A14,20	INTEGRATED CIRCUIT	7402
40	586-326	A5,17,23,38,39	INTEGRATED CIRCUIT	7404
41	586-759	A13	INTEGRATED CIRCUIT	7408
42	586-076	A6,10,12,28,29,30	INTEGRATED CIRCUIT	7410
43	586-890	A36,37	INTEGRATED CIRCUIT	7417
44	586-077	A16,31	INTEGRATED CIRCUIT	7420
45	586-078	A32	INTEGRATED CIRCUIT	7430
46	586-423	A25	INTEGRATED CIRCUIT	7442
47	586-554	A1,8,9	INTEGRATED CIRCUIT	7483
48	586-903	A19	INTEGRATED CIRCUIT	74157
49	586-450	A26	INTEGRATED CIRCUIT	74164
50	586-925	A33	INTEGRATED CIRCUIT	74175
51	586-303	A2,3	INTEGRATED CIRCUIT	9328
52	587-144	A15	INTEGRATED CIRCUIT	9602
53	587-416	A24	INTEGRATED CIRCUIT	9600
59	470-009		SCREW, CAP, NO. 4-40-5/16	
62	501-169		WASHER, FLAT, NO. 4	
63	502-002		WASHER, SPRING LOCK, NO. 4	
67	066-812	R35	RESISTOR, CF, 100 OHM, 5%, 1/4W	
68	066-665	R10,12,17,22, 34,42	RESISTOR, CF, 1K, 5%, 1/4W	

F

ITEM NO.	AMPEX PART NO.	REFERENCE NUMBER	DESCRIPTION	JEDEC NO. OR MFR. PART NO.
69	066-830	R9	RESISTOR, CF, 10K, 5%, 1/4W	2N3565 F
70	066-849	R11	RESISTOR, CF, 100K, 5%, 1/4W	
72	014-698	Q2	TRANSISTOR	

SHEET 2 OF 2

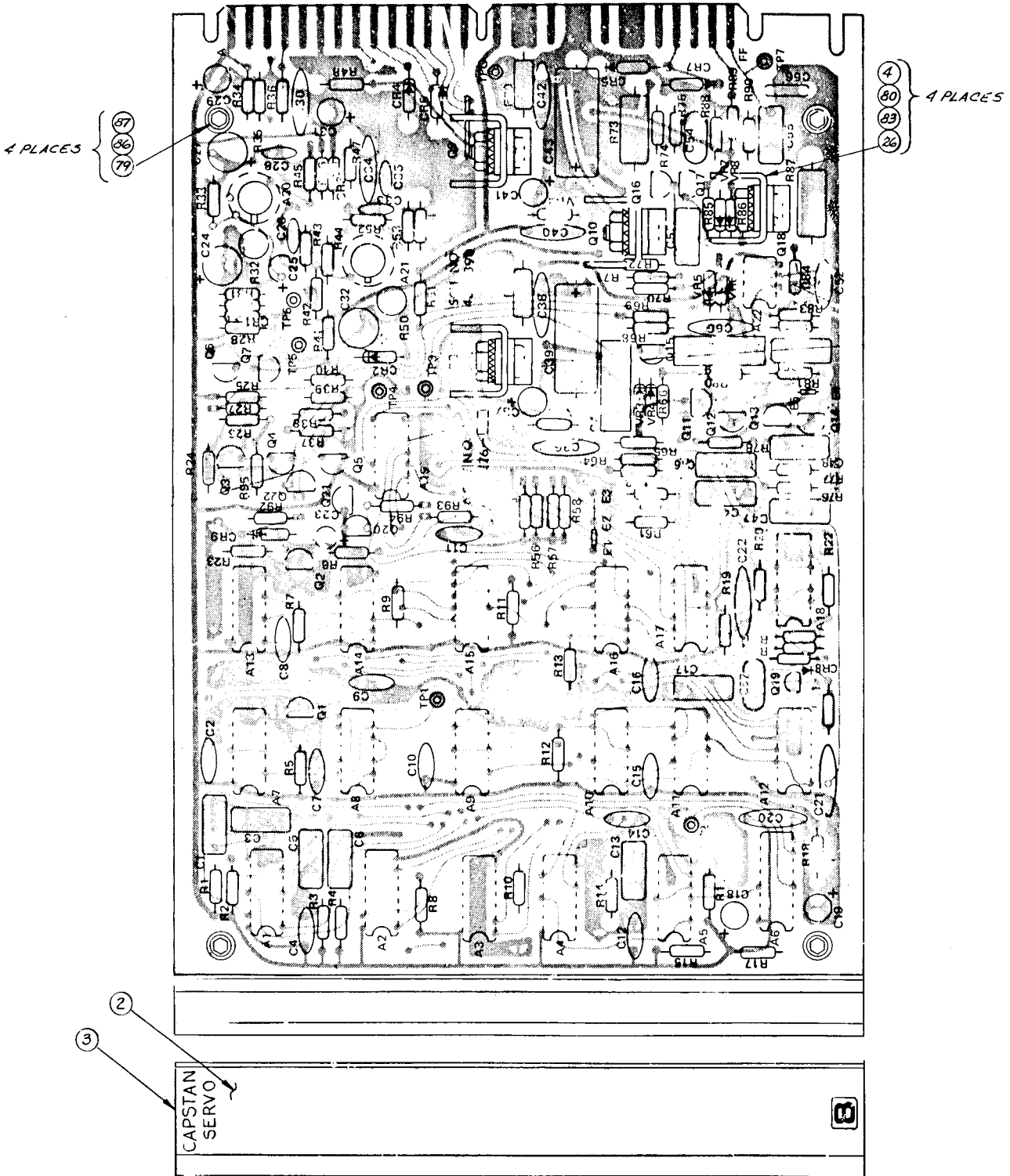


ITEM NO.	AMPEX PART NO.	REFERENCE NUMBER	DESCRIPTION	JEDEC NO. OR MFR. PART NO.
	4050776-07		CAPSTAN SERVO PWA, NO. 8 (NHA 4010260, 4010261, 4010262)	
2	4041244-01		SHIELD ASSY, PWA	
3	4170327-AC		LABEL, PWA	
4	4290857-01		HEATSINK, TRANSISTOR	
5	4840390		SCHEMATIC, REV H	
9	013-167	VR3,4	DIODE	IN756A
10	013-313	VR7,8	DIODE	IN963B
11	013-371	VR1,2	DIODE	IN864B
12	013-599	CR1-5,8,9	DIODE	IN914
13	013-678	CR6,7	DIODE	IN4005
14	013-983	VR5,6	DIODE	IN752A
16	014-653	Q1-3,6,7,12-14,16 19,20,21	TRANSISTOR	2N3904
17	014-652	Q5,17	TRANSISTOR	2N3906
19	580-760	Q8,18	TRANSISTOR	D44C9
20	580-761	Q9,10	TRANSISTOR	D45C9
22	055-163	C13,17,53	CAPACITOR, MYLAR, 0.0033 UF, 10%, 50V	
24	580-156	Q4,11,15,22	TRANSISTOR	2N5461
25	055-956	C3,5	CAPACITOR, MYLAR, 0.0068 UF, 10%, 50V	
27	037-925	C23	CAPACITOR, TANT, 1.5 UF, \pm 20%, 25V	
28	037-970	C27	CAPACITOR, TANT, 150 UF, \pm 20%, 6V	
29	034-286	C54	CAPACITOR, MICA, 200 PF, 5%, 500V	
30	037-893	C18	CAPACITOR, TANT, 15 UF, \pm 20%, 20V	
31	037-918	C19	CAPACITOR, TANT, 0.22 UF, 20%, 35V	
32	037-954	C25,31,37,41	CAPACITOR, TANT, 22 UF, \pm 20%, 15V	
33	067-041	C29	CAPACITOR, TANT, 68 UF, \pm 20%, 6V	
34	037-957	C24,32	CAPACITOR, TANT, 68 UF, \pm 20%, 15V	
36	055-955	C48	CAPACITOR, MYLAR, 0.0056 UF, \pm 10%, 50V, 75F	
37	055-161	C1,6,45,55	CAPACITOR, MYLAR, 0.01 UF, \pm 10%, 50V, 75F	
38	055-268	C46	CAPACITOR, MYLAR, 0.022 UF, \pm 10%, 50V, 75F	
39	055-159	C51	CAPACITOR, MYLAR, 0.047 UF, \pm 10%, 50V, 75F	
40	055-483	C47	CAPACITOR, MYLAR, 0.056 UF, \pm 10%, 50V, 75F	
41	069-050	C49	CAPACITOR, MYLAR, 0.082 UF, \pm 10%, 50V, 75F	
42	055-157	C44	CAPACITOR, MYLAR, 0.1UF, \pm 10%, 50V, 75F	
43	063-027	C39,43	CAPACITOR, ALUM, 25 UF, $-10 + 75\%$, 50V	
47	064-152	C35	CAPACITOR, CERAMIC, 0.001 UF, \pm 10%, 50V	
48	066-847	R6	RESISTOR, CF, 33K, 5%, 1/4W	
49	041-133	R73,87	RESISTOR, COMP, 27 OHM, 10%, 1W	
50	066-834	R35,74,89	RESISTOR, CF, 33 OHM, 5%, 1/4W	
51	066-855	R34	RESISTOR, CF, 39 OHM, 5%, 1/4W	
52	066-812	R42,48	RESISTOR, CF, 100 OHM, 5%, 1/4W	
53	066-661	R9,14,19	RESISTOR, CF, 120 OHM, 5%, 1/4W	
54	076-004	R88	RESISTOR, CF, 180 OHM, 5%, 1/4W	
55	066-663	R43,53	RESISTOR, CF, 220 OHM, 5%, 1/4W	
56	041-043	R59,60	RESISTOR, CF, 390 OHM, 10%, 1/2W	
59	066-720	R86	RESISTOR, CF, 3.3K, 5%, 1/4W	
60	066-668	R29,41,54,71, 82,85	RESISTOR, CF, 4.7K, 5%, 1/4W	
61	066-842	R1-4,37	RESISTOR, CF, 5.1K, 5%, 1/4W	
62	066-843	R5,8,10,12,13,16, 22,25,28,40,55-58	RESISTOR, CF, 6.2K, 5%, 1/4W	
63	066-711	R51	RESISTOR, CF, 7.5K, 5%, 1/4W	
66	066-845	R90	RESISTOR, CF, 24K, 5%, 1/4W	
67	066-866	R38	RESISTOR, CF, 27K, 5%, 1/4W	
69	066-867	R61,62,76,77	RESISTOR, CF, 51K, 5%, 1/4W	

K

ITEM NO.	AMPEX PART NO.	REFERENCE NUMBER	DESCRIPTION	JEDEC NO. OR MFR. PART NO.
70	066-833	R68	RESISTOR, CF, 56K, 5%, 1/4W	
71	066-912	R45,52	RESISTOR, CF, 82K, 5%, 1/4W	
72	076-011	R66	RESISTOR, CF, 180K, 5%, 1/4W	
73	066-850	R84	RESISTOR, CF, 240K, 5%, 1/4W	
74	076-012	R69,83	RESISTOR, CF, 330K, 5%, 1/4W	
78	058-469	R32,50	RESISTOR, VARIABLE, 200K, 1/2W	
79	470-009		SCREW, CAP, NO. 4-40 X 5/16	
80	471-068		SCREW, PAN, HD, NO. 6-32 X 5/16	
83	496-002		NUT, WITH ASSEMBLED WASHER, NO. 6	
86	501-169		WASHER, FLAT, NO. 4	
87	502-002		WASHER, SPRING LOCK, NO. 4	
90	586-075	A2,4,7-9,14,17,18	INTEGRATED CIRCUIT	7400
91	586-326	A16,19	INTEGRATED CIRCUIT	7404
92	586-325	A1	INTEGRATED CIRCUIT	7405
93	586-076	A3,10,13	INTEGRATED CIRCUIT	7410
94	586-077	A11	INTEGRATED CIRCUIT	7420
95	586-108	A15	INTEGRATED CIRCUIT	7474
96	586-705	A5	INTEGRATED CIRCUIT	7486
97	586-283	A12	INTEGRATED CIRCUIT	7493
98	587-144	A6	INTEGRATED CIRCUIT	9602
101	587-478	A20,21	INTEGRATED CIRCUIT	LM318H
102	586-905	A22	INTEGRATED CIRCUIT	1458
104	066-868	R31	RESISTOR, CF, 120K, 5%, 1/4W	
106	066-652	R70	RESISTOR, CF, 470K, 5%, 1/4W	
107	066-717	R15,17,26,27,64 65,95	RESISTOR, CF, 47K, 5%, 1/4W	
109	030-094	C56	CAPACITOR, MONO, 1.0 UF	
110	034-117	C57	CAPACITOR, MICA, 100 PF	
112	064-116	C2,4,7-12,14-16, 26,28,33,52	CAPACITOR, CER, 0.01 UF, +80-20%, 50V	
113	064-115	C20,21,22,30,34, 36,38,40,42,50	CAPACITOR, CER, 0.1 UF, +80-20%, 50V	
114	066-665	R11,18,75,91,92	RESISTOR, CF, 1.0K, 5%, 1/4W	
115	066-689	R7,21,33,44	RESISTOR, CF, 2.2K, 5%, 1/4W	
118	066-712	R20,23,72,78,81	RESISTOR, CF, 22K, 5%, 1/4W	
119	066-673	R80	RESISTOR, CF, 1.0 MEG, 5%, 1/4W	
120	066-830	R24,36,39,46,47, 63,79,93,94	RESISTOR, CF, 10K, 5%, 1/4W	

K



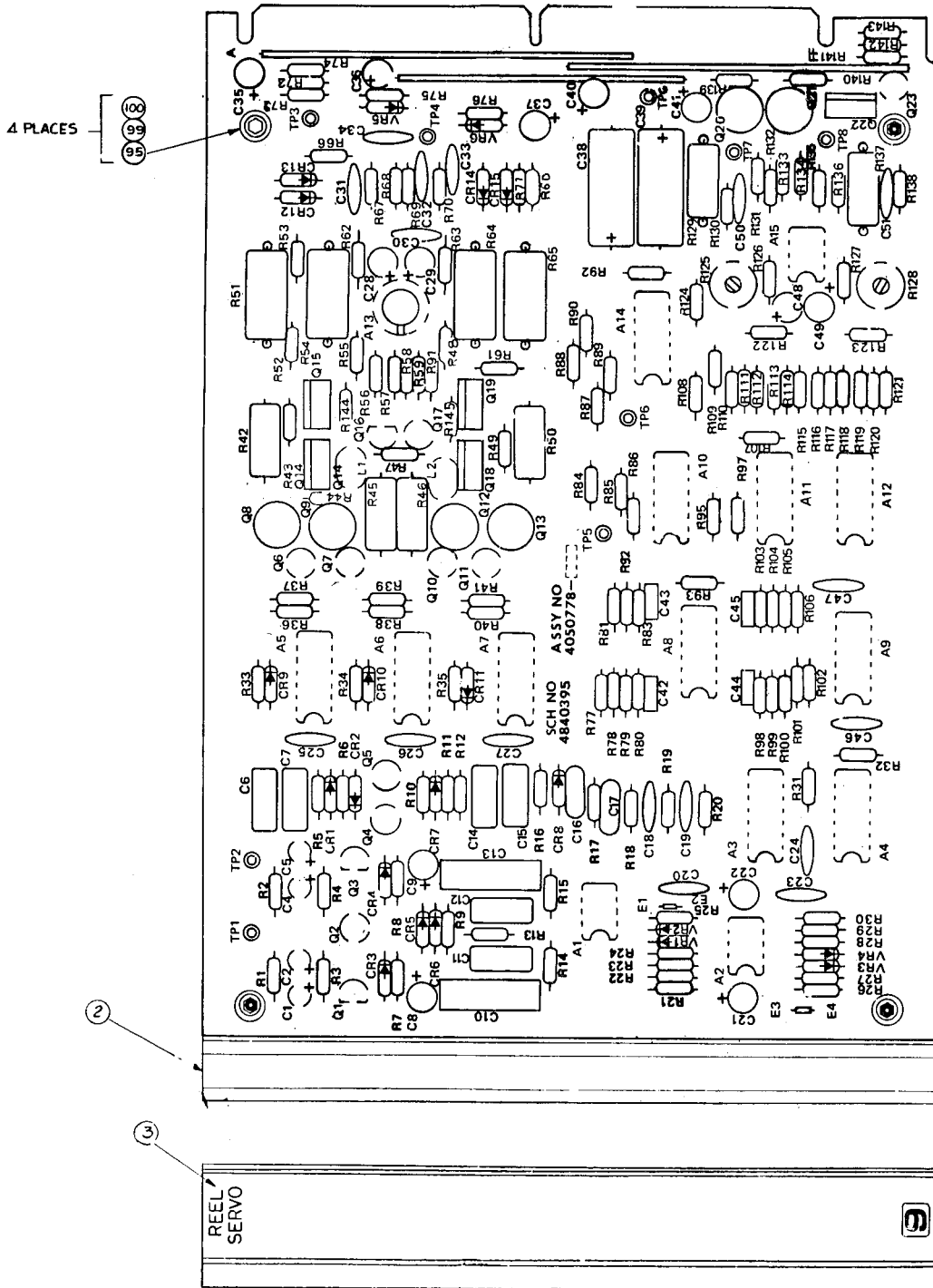
Assembly No. 4050776. Capstan Servo PWA, No. 8

ITEM NO.	AMPEX PART NO.	REFERENCE NUMBER	DESCRIPTION	JEDEC NO. OR MFR. PART NO.
	4050778-03		REEL SERVO PWA, NO. 9 (NHA 4010260, 4010261, 4010262)	
2	4041244-01		SHIELD ASSY, PWA	
3	4170327-AB		LABEL, PWA	
7	4840395		SCHEMATIC	
11	013-358	VR5,6	DIODE	IN751A
12	013-383	VR1,2,3,4	DIODE	IN757A
13	013-599	CR1-11	DIODE	IN914
14	013-878	CR12,13,14,15	DIODE	IN4935
16	014-247	Q8,13,20,21	TRANSISTOR, TO-5	2N2219
17	014-364	Q9,12	TRANSISTOR, TO-5	2N2905A
18	014-652	Q6,11	TRANSISTOR, TO-92	2N3906
19	014-653	Q2,4,5,7,10,17,23	TRANSISTOR, TO-92	2N3904
20	580-760	Q14,15,18,19,22	TRANSISTOR	D4409
21	580-156	Q1,3,16	TRANSISTOR	2N5461
23	051-971	L1,2	INDUCTOR, 56 UH, 10%	
24	064-152	C42,43,44,45	CAPACITOR, CERAMIC, DISC, 0.001 UF, + 10%, 50V	
25	034-439	C16,17	CAPACITOR, MICA, 130 PF, 5%, 500V	
26	063-027	C38,39	CAPACITOR, ALUM, TUBULAR, 25 UF + 75-10%, 50V	
27	064-116	C18-20,23-27, 30-34,46,47,50,51	CAPACITOR, CERAMIC, DISC, 0.01 UF, + 80-20%	
28	037-790	C8,9	CAPACITOR, TANT, DIPPED, 2.2 UF, 20%, 20V	
29	037-931	C28,29	CAPACITOR, TANT, DIPPED, 6.8 UF, 20%, 35V	
30	037-591	C1,2,4,5	CAPACITOR, TANT, DIPPED, 1.0 UF, 20%, 35V	
31	037-954	C21,22,40,41	CAPACITOR, TANT, DIPPED, 22 UF, 20%, 15V	
32	037-962	C48,49	CAPACITOR, TANT, DIPPED, 4.7 UF, 20%, 10V	
33	067-041	C35,36,37	CAPACITOR, TANT, DIPPED, 68 UF, 20%, 6V	
35	055-157	C10,13	CAPACITOR, MYLAR, 0.1 UF, 10%, 50V	
36	069-047	C6,15	CAPACITOR, MYLAR, 0.027 UF, 10%, 50V	
38	069-051	C7,14	CAPACITOR, MYLAR, 0.039 UF, 10%, 50V	
39	055-163	C11,12	CAPACITOR, MYLAR, 0.0033 UF, 10%, 50V	
41	059-561	R129,137	RESISTOR, WW, 1 OHM, 10%, 2W	
42	041-296	R51,54,64,65	RESISTOR, COMP, 12 OHM, 10%, 2W	
43	041-143	R42,45,46,50	RESISTOR, COMP, 680 OHM, 10%, 1W	
44	066-859	R113	RESISTOR, CF, 240 OHM, 5%, 1/4W	
45	066-664	R112	RESISTOR, CF, 510 OHM, 5%, 1/4W	
46	066-810	R132,134	RESISTOR, CF, 10 OHM, 5%, 1/4W	
47	066-660	R48,52,53,55, 60-62,71,141	RESISTOR, CF, 22 OHM, 5%, 1/4W	
48	066-812	R21,30,43,44,47, 49,139,140	RESISTOR, CF, 100 OHM, 5%, 1/4W	
49	066-661	R33,34,35,16	RESISTOR, CF, 120 OHM, 5%, 1/4W	
50	066-663	R115,118	RESISTOR, CF, 220 OHM, 5%, 1/4W	
51	066-814	R117,121	RESISTOR, CF, 270 OHM, 5%, 1/4W	
52	076-045	R74	RESISTOR, CF, 75 OHM, 5%, 1/4W	
53	066-838	R114	RESISTOR, CF, 330 OHM, 5%, 1/4W	
54	066-872	R107	RESISTOR, CF, 360 OHM, 5%, 1/4W	
55	066-817	R116,120	RESISTOR, CF, 430 OHM, 5%, 1/4W	
56	066-839	R75,76	RESISTOR, CF, 560 OHM, 5%, 1/4W	
57	066-665	R12,36,38-40,110, 111,119,142	RESISTOR, CF, 1.0K, 5%, 1/4W	
58	066-720	R1,2,133,135	RESISTOR, CF, 3.3K, 5%, 1/4W	
61	066-818	R144,145	RESISTOR, CF, 470 OHM, 5%, 1/4W	
63	066-831	R58	RESISTOR, CF, 11K, 5%, 1/4W	
65	066-832	R72	RESISTOR, CF, 18K, 5%, 1/4W	

G

ITEM NO.	AMPEX PART NO.	REFERENCE NUMBER	DESCRIPTION	JEDEC NO. OR MFR. PART NO.
66	066-712	R108	RESISTOR, CF, 22K, 5%, 1/4W	
67	066-958	R122,123	RESISTOR, CF, 75K, 5%, 1/4W	
68	066-847	R3,4,25,29,73	RESISTOR, CF, 33K, 5%, 1/4W	
69	066-860	R68	RESISTOR, CF, 39K, 5%, 1/4W	
70	066-717	R56	RESISTOR, CF, 47K, 5%, 1/4W	
72	066-866	R130,138	RESISTOR, CF, 27K, 5%, 1/4W	
73	066-849	R126,127,131,136	RESISTOR, CF, 100K, 5%, 1/4W	
74	076-010	R69	RESISTOR, CF, 130K, 5%, 1/4W	
75	076-011	R79	RESISTOR, CF, 180K, 5%, 1/4W	
76	066-913	R14,15,124	RESISTOR, CF, 220K, 5%, 1/4W	
77	066-850	R19,20	RESISTOR, CF, 240K, 5%, 1/4W	
78	076-012	R23,27	RESISTOR, CF, 330K, 5%, 1/4W	
79	066-652	R13,99,100	RESISTOR, CF, 470K, 5%, 1/4W	
80	066-676	R77	RESISTOR, CF, 560K, 5%, 1/4W	
82	066-843	R6,11,31,32,37,41 84-90,92,95,97, 102,109,143	RESISTOR, CF, 6.2K, 5%, 1/4W	
83	066-830	R5,9,10,91	RESISTOR, CF, 10K, 5%, 1/4W	
84	066-673	R17,18,81,82, 105,106	RESISTOR, CF, 1.0 MEG, 5%, 1/4W	
85	076-014	R57,59,78,93, 101,104	RESISTOR, CF, 1.5 MEG, 5%, 1/4W	
86	076-015	R7,8	RESISTOR, CF, 3.3 MEG, 5%, 1/4W	
87	041-789	R80,83,98,103	RESISTOR, COMP, 6.8 MEG, 5%, 1/4W	
88	058-977	R125,128	RESISTOR, VARIABLE, 10K	
89	066-844	R24,28,63,66,67, 70	RESISTOR, CF, 16K, 5%, 1/4W	
90	076-009	R22,26	RESISTOR, CF, 68K, 5%, 1/4W	
92	280-998		PAD, TRANSISTOR MTG, TO-5, REF: Q8,9,12,13, 20,21	
95	470-009		SCREW, CAP, NO. 4-40 X 5/16	
99	501-169		WASHER, FLAT, SM PATTERN, NO. 4	
100	502-002		WASHER, SPRING LOCK, NO. 4	
103	586-269	A13	INTEGRATED CIRCUIT	U741
104	586-905	A1,2,15	INTEGRATED CIRCUIT	1458
105	587-714	A8	INTEGRATED CIRCUIT	LM3900N
107	586-075	A4	INTEGRATED CIRCUIT	7400
108	586-326	A3,6,14	INTEGRATED CIRCUIT	7404
109	586-325	A11,12	INTEGRATED CIRCUIT	7405
110	587-505	A7,9	INTEGRATED CIRCUIT	7411
111	586-077	A5	INTEGRATED CIRCUIT	7420
113	586-276	A10	INTEGRATED CIRCUIT, TRANSISTOR ARRAY	3046

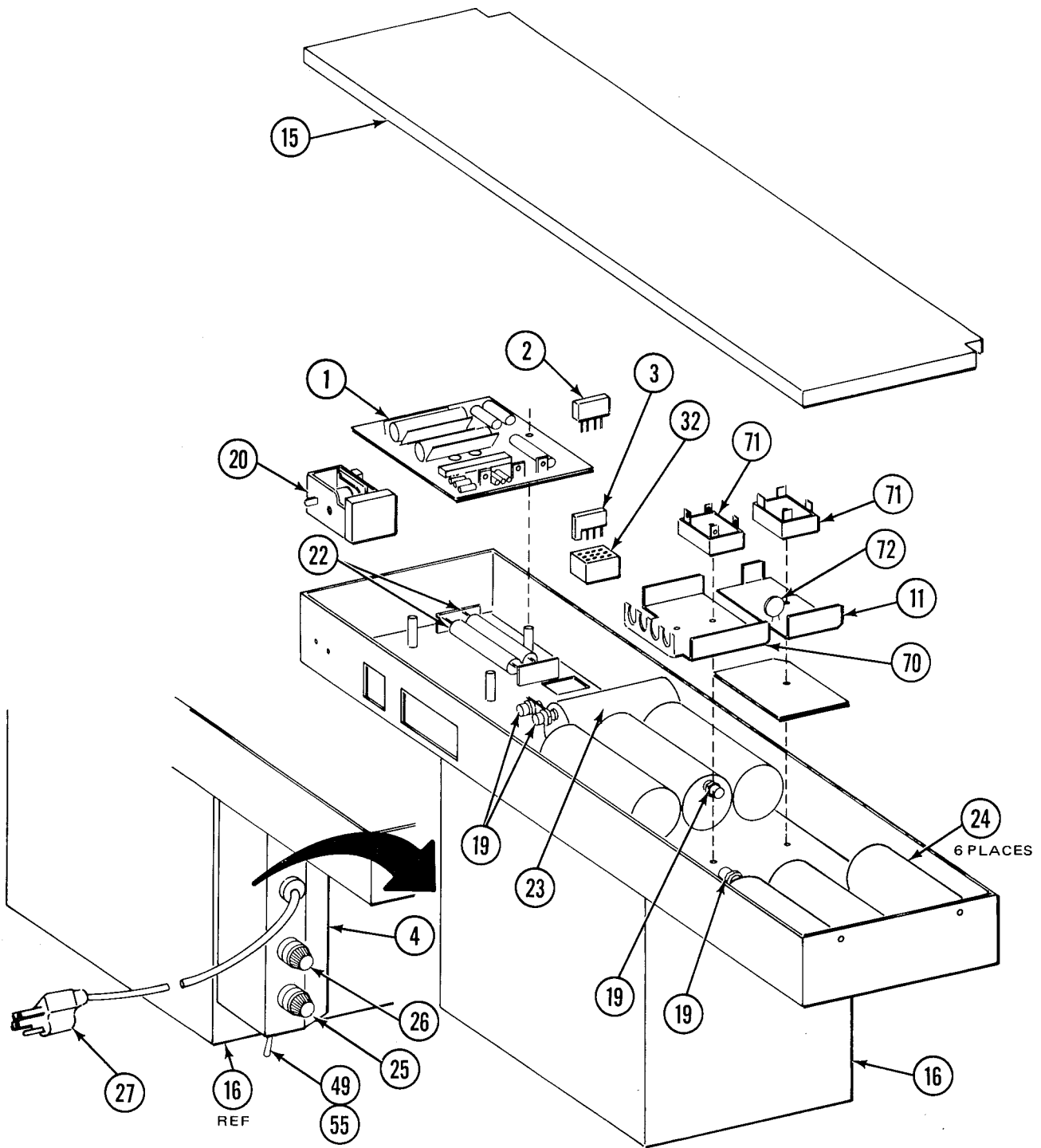
G



Assembly No. 4050778. Reel Servo PWA, No. 9

ITEM NO.	AMPEX PART NO.	REFERENCE NUMBER	DESCRIPTION	JEDEC NO. OR MFR. PART NO.
	4020406-03		POWER SUPPLY ASSEMBLY (NHA 4020400)	
1	4050794-02		POWER SUPPLY AND DYNAMIC BRAKES PWA	
2	1374214-01		PLUG, JUMPER	
3	1374214-02		PLUG, JUMPER	
4	4041266-01		BRACKET, POWER SWITCH	
6	4050813-01		HARNESS, POWER SUPPLY	
11	4160558-01		BRACKET, CAPACITOR MTG	
15	4290932-01		COVER, POWER SUPPLY	
16	4580064-01		TRANSFORMER, POWER	
17	4840412		SCHEMATIC, REV D	
18	4170332-01		INSULATOR, ELECT, REAR COVER	
19	013-231	CR1-4	DIODE, POWER	IN1200
20	020-826	K1	RELAY	
22	059-582	R1,2	RESISTOR, WW, 0.1 OHM, 5%, 10W	
23	063-076	C1	CAPACITOR, AL ELECT, 9200 UF, 15V	
24	063-157	C2-7	CAPACITOR, AL ELECT, 4000 UF, 40V	
25	070-001	F2	FUSE, 3A, FAST BLO	
26	070-020	F1	FUSE, 5A, SLOW BLO	
27	084-030		CORD, POWER, 8 FT W/MOLDED CONNECTOR	
30	085-001		POST, FUSE	
32	167-025		BLOCK, CONNECTOR, CHASSIS MOUNT, 12 POS'N	
33	167-340		CONTACT, FEMALE, 16-18 AWG	
36	4600161-01		SHIELD, TRANSFORMER, TOP	
39	172-009		LUG, SOLDER	
40	260-004		GROMMET	
41	264-019		BUSHING, STRAIN RELIEF	
43	470-010		SCREW, CAP, HEX SOC, NO. 4-40 X 0.37 LG	
45	470-017		SCREW, CAP, HEX SOC, NO. 6-32 X 0.31 LG	
46	470-020		SCREW, CAP, HEX SOC, NO. 6-32 X 0.50 LG	
48	172-012		LUG, SOLDER, NO. 6	
49	119-440		SWITCH, TOGGLE	
50	471-080		SCREW, X-REC, NO. 8-32 X 0.50 LG	
52	470-031		SCREW, CAP, HEX SOC, NO. 8-32 X 0.75 LG	
53	502-027		WASHER, LOCK, INTERNAL TOOTH, NO. 10	
54	476-998		SCREW, SELF TAPPING, NO. 6	
55	121-249		RING, LOCK, POWER SWITCH	
56	498-582		NUT, HEX, POWER SWITCH	
57	502-415		WASHER, LOCK, POWER SWITCH	
58	496-001		NUT, WITH ASSEMBLED WASHER, NO. 8-32	
59	496-002		NUT, WITH ASSEMBLED WASHER, NO. 6-32	
60	496-004		NUT, WITH ASSEMBLED WASHER, NO. 4-40	
62	501-009		WASHER, FLAT, SMALL PATTERN, NO. 6	
63	501-169		WASHER, FLAT, SMALL PATTERN, NO. 4	
64	501-205		WASHER, FLAT, SMALL PATTERN, NO. 8	
65	502-002		WASHER, SPRING LOCK, NO. 4	
66	502-003		WASHER, SPRING LOCK, NO. 6	
67	502-004		WASHER, LOCK, NO. 8	
68	503-016		WASHER, SHOULDER, NO. 4	
69	503-322		WASHER, SHOULDER, NO. 8	
70	4260540-02		BRACKET, CAPACITOR MTG	
71	581-449	A1,2	DIODE ASSY, FULL WAVE BRIDGE	SCBE2
72	064-115	C8	CAPACITOR, CER, 1 UF, 50V	

F

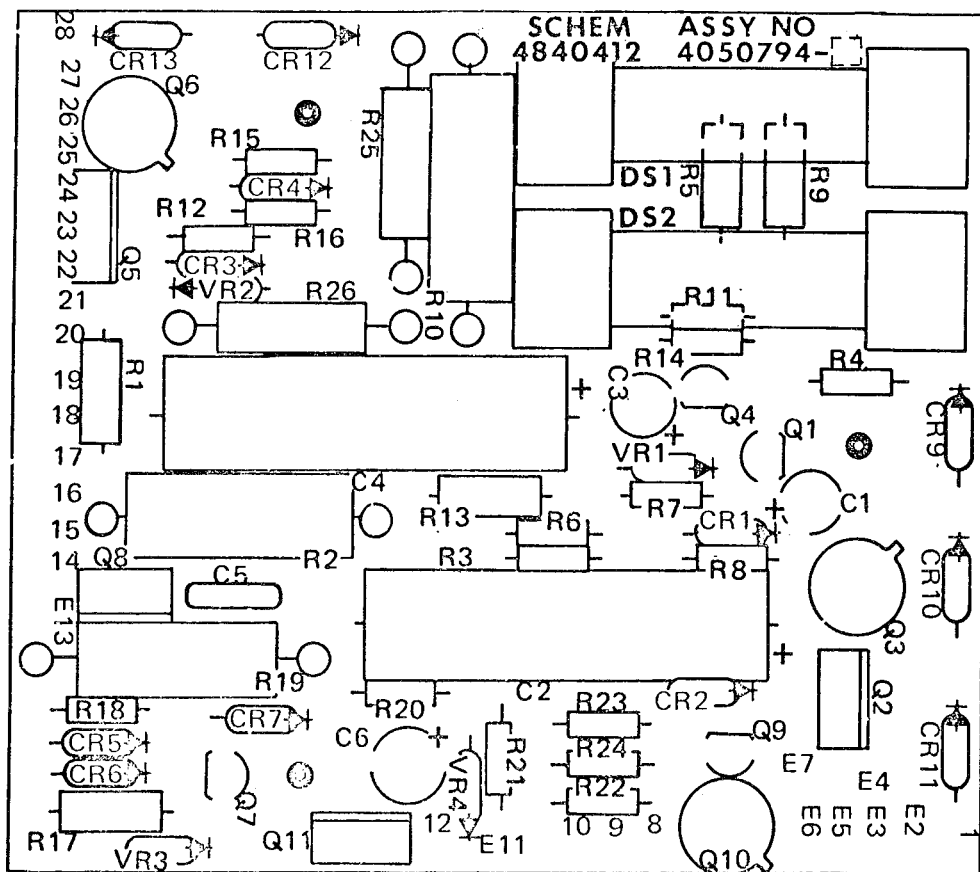


Assembly No. 4020406. Power Supply Assembly

ITEM NO.	AMPEX PART NO.	REFERENCE NUMBER	DESCRIPTION	JEDEC NO. OR MFR. PART NO.
	4050794-02		POWER SUPPLY AND DYNAMIC BRAKES PWA (NHA 4020406)	
6	013-983	VR4	DIODE	IN752A
7	013-224	VR3	DIODE	IN754A
8	581-019	VR1,2	DIODE	IN972A
9	013-599	CR1-7	DIODE	IN914
10	013-678	CR9-13	DIODE	IN4005
13	014-247	Q3,10	TRANSISTOR	2N2219
14	014-364	Q6	TRANSISTOR	2N2905A
15	014-652	Q7	TRANSISTOR	2N3906
16	014-653	Q9	TRANSISTOR	2N3904
19	580-760	Q2,8	TRANSISTOR	D44C9
20	580-761	Q5	TRANSISTOR	D45C9
21	580-568	Q1	TRANSISTOR	2N5400
22	580-800	Q4	TRANSISTOR	2N5550
23	580-799	Q11	TRANSISTOR	C122F
26	060-307	DS1,2	LAMP	NO. 211-2
29	037-298	C1,3	CAPACITOR, TANT, DIPPED, 47 UF, 6V, 20%	
30	037-894	C6	CAPACITOR, TANT, DIPPED, 100 UF, 10V, 20%	
31	063-031	C2,4	CAPACITOR, ALUM, TUBULAR, 100 UF, 50V	
32	064-116	C5	CAPACITOR, CERAMIC, DISC, 0.01 UF, 50V	
35	041-044	R17	RESISTOR, CC, 470 OHM, 10%, 1/2W	
36	041-052	R1,9	RESISTOR, CC, 2.2K, 10%, 1/2W	
37	041-014	R5,13	RESISTOR, CC, 10K, 5%, 1/2W	
40	066-660	R18	RESISTOR, CF, 22 OHM, 5%, 1/4W	
41	066-812	R20	RESISTOR, CF, 100 OHM, 5%, 1/4W	
42	066-663	R8,16	RESISTOR, CF, 220 OHM, 5%, 1/4W	
43	066-859	R3,11	RESISTOR, CF, 240 OHM, 5%, 1/4W	
44	066-665	R6,14,21,24	RESISTOR, CF, 1K, 5%, 1/4W	
45	066-843	R7,15,22	RESISTOR, CF, 6.2K, 5%, 1/4W	
46	066-830	R4,12,23	RESISTOR, CF, 10K, 5%, 1/4W	
49	059-548	R2,10	RESISTOR, WW, 0.1 OHM, 1%, 5W	
50	059-558	R19	RESISTOR, WW, 0.33 OHM, 1%, 5W	
51	059-562	R25,26	RESISTOR, WW, 2.4 OHM, 10%, 2W	

E

SHEET 1 OF 1



Assembly No. 4050794. Power Supply and Dynamic Brakes PWA

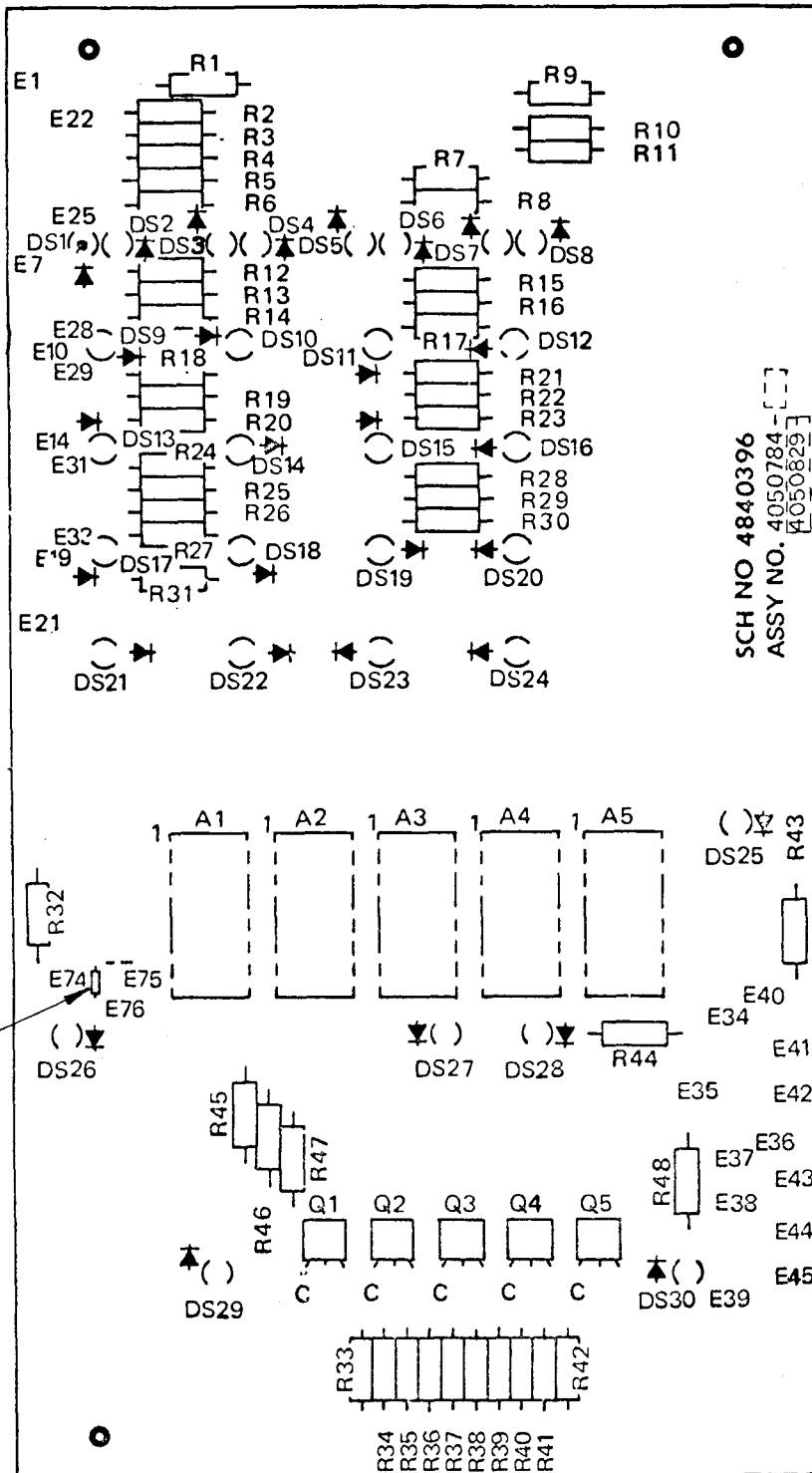
ITEM NO.	AMPEX PART NO.	REFERENCE NUMBER	DESCRIPTION	JEDEC NO. OR MFR. PART NO.
3 4 5 6 7	4050813-01 167-025 167-029 167-338 167-339 167-340	J2 J1	POWER SUPPLY HARNESS ASSEMBLY (NHA 4020406) CONNECTOR, RECEPTACLE, 12 CONTACT CONNECTOR, RECEPTACLE, 36 CONTACT CONTACT, SOCKET, 24 AWG CONTACT, SOCKET, 20 AWG CONTACT, SOCKET, 18 AWG	E

ITEM NO.	AMPEX PART NO.	REFERENCE NUMBER	DESCRIPTION	JEDEC NO. OR MFR. PART NO.
	4020405-02		CONTROL UNIT, 4 CHANNEL (NHA 4010260, 4010261, 4010262)	
1	4050786-01		CONTROL UNIT, HARNESS	
4	4100080-AA		PUSHBUTTON, LARGE, (GREY)	
5	4100080-AB		PUSHBUTTON, LARGE, (RED)	
6	4100081-01		PUSHBUTTON, SMALL, (GREY)	
9	4110299-01		OVERLAY	
11	4050784-02		CONTROL UNIT, NO. 1 PWA, 4 CHANNEL	
12	4050785-02		CONTROL UNIT, NO. 2 PWA, 4 CHANNEL	
13	180-327		SPACER, THREADED, NO. 4-40 0.500 LG	
16	501-195		WASHER, NO. 4, 0.209 OD, 0.032 THK	
17	4150351-02		CASE, TOP	
18	4150352-02		CASE, BOTTOM	
20	302-379		STRAP, CABLE, TY RAP	
21	4330357-01		PLATE, LOCKING	
23	471-575		SCREW, BINDER HD, NO. 4-40 X 5/16	

C

ITEM NO.	AMPEX PART NO.	REFERENCE NUMBER	DESCRIPTION	JEDEC NO. OR MFR. PART NO.
	4050784-02		CONTROL UNIT NO. 1 PWA, 4 CHANNEL (NHA 4010264, 4020405)	
3	4840396		SCHEMATIC, REV D	
5	066-816	R43-48	RESISTOR, CF, 390 OHM, 5%, 1/4W	
6	076-003	R33,35,37,39,41	RESISTOR, CF, 56 OHM, 5%, 1/4W	
7	066-812	R32	RESISTOR, CF, 100 OHM, 5%, 1/4W	
8	066-661	R6,8,12-16	RESISTOR, CF, 120 OHM, 5%, 1/4W	
9	066-859	R34,36,38,40,42	RESISTOR, CF, 240 OHM, 5%, 1/4W	
10	066-838	R1-5,7,9,11,17-21, 23-27,29,30	RESISTOR, CF, 330 OHM, 5%, 1/4W	
11	066-715	R10,22,28,31	RESISTOR, CF, 1.2K, 5%, 1/4W	
13	580-725	Q1-5	TRANSISTOR	MPS 6562
14	581-399	DS1,3,5,7,13-25, 27,28,30	DIODE, LED, YEL	HP 5082-4584
15	581-400	DS2,4,6,8,26	DIODE, LED, RED	HP 5082-4684
16	581-401	DS9,10,11,12,29	DIODE, LED, GRN	HP 5082-4984
18	581-357	A1,2,3,4,5	DIODE, DISPLAY, 7-SEG	HP 5082-7730

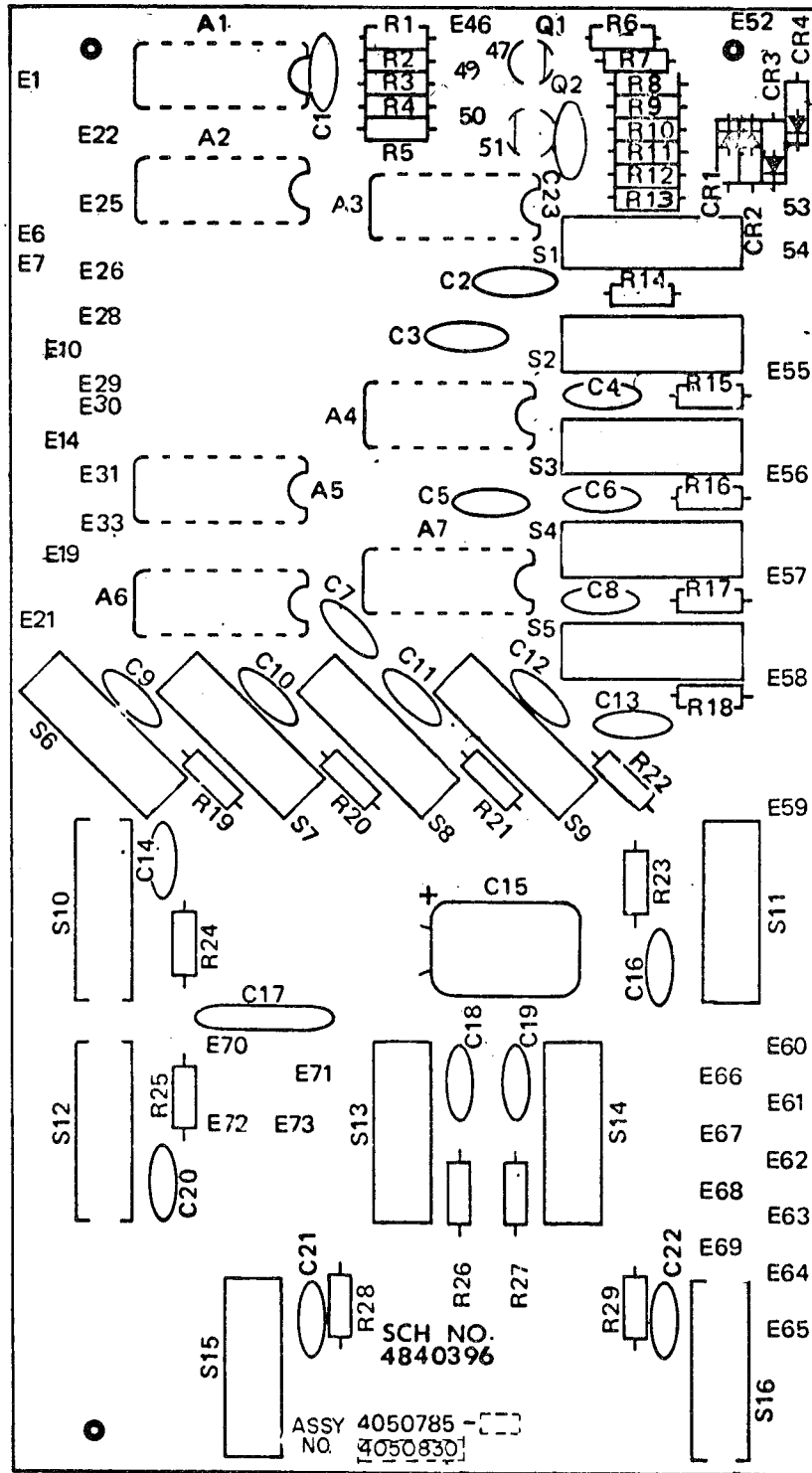
G



SCH NO 4840396
 ASSY NO. 4050784
 [4050829]

(21)

Assembly No. 4050784. Control Unit No. 1 PWA, 4 Channel



Assembly No. 4050785. Control Unit No. 2 PWA, 4 Channel

ITEM NO.	AMPEX PART NO.	REFERENCE NUMBER	DESCRIPTION	JEDEC NO. OR MFR. PART NO.
3 4 5	4050786-01 143-804 470-013 496-002		CONTROL UNIT HARNESS ASSEMBLY (NHA 4020405) CONNECTOR, PCB, 56 PIN SCREW, CAP, NO. 4-40 X 5/8 LG NUT, KEP, NO. 4-40	

D

ITEM NO.	AMPEX PART NO.	REFERENCE NUMBER	DESCRIPTION	JEDEC NO. OR MFR. PART NO.
	4050785-02		CONTROL UNIT NO. 2 PWA, 4 CHANNEL (NHA 4010264, 4020405)	
3	4840396		SCHMATIC, REV D	
5	013-599	CR1-4	DIODE	IN914
6	014-653	Q1,2	TRANSISTOR	2N3904
9	037-970	C15	CAPACITOR, TANT, DIPPED, 150 UF, 20%, 6V	
11	064-115	C17	CAPACITOR, CER, DISC, 0.1 UF, + 80-20%, 50V	
13	064-116	C1-14,16,18-23	CAPACITOR, CER, DISC, 0.01 UF, 3 80-20%, 50V	
15	066-814	R1,2,4,5	RESISTOR, CF, 270 OHM, 5%, 1/4W	
16	066-819	R7,9,10,12	RESISTOR, CF, 620 OHM, 5%, 1/4W	
17	066-826	R3	RESISTOR, CF, 2.0K, 5%, 1/4W	
18	066-689	R6,11,13-29	RESISTOR, CF, 2.2K, 5%, 1/4W	
21	119-367	S1-16	SWITCH, MOMENTARY, N.O.	7495
24	586-785	A1,2,4-7	INTEGRATED CIRCUIT	7447
25	587-544	A3	INTEGRATED CIRCUIT	

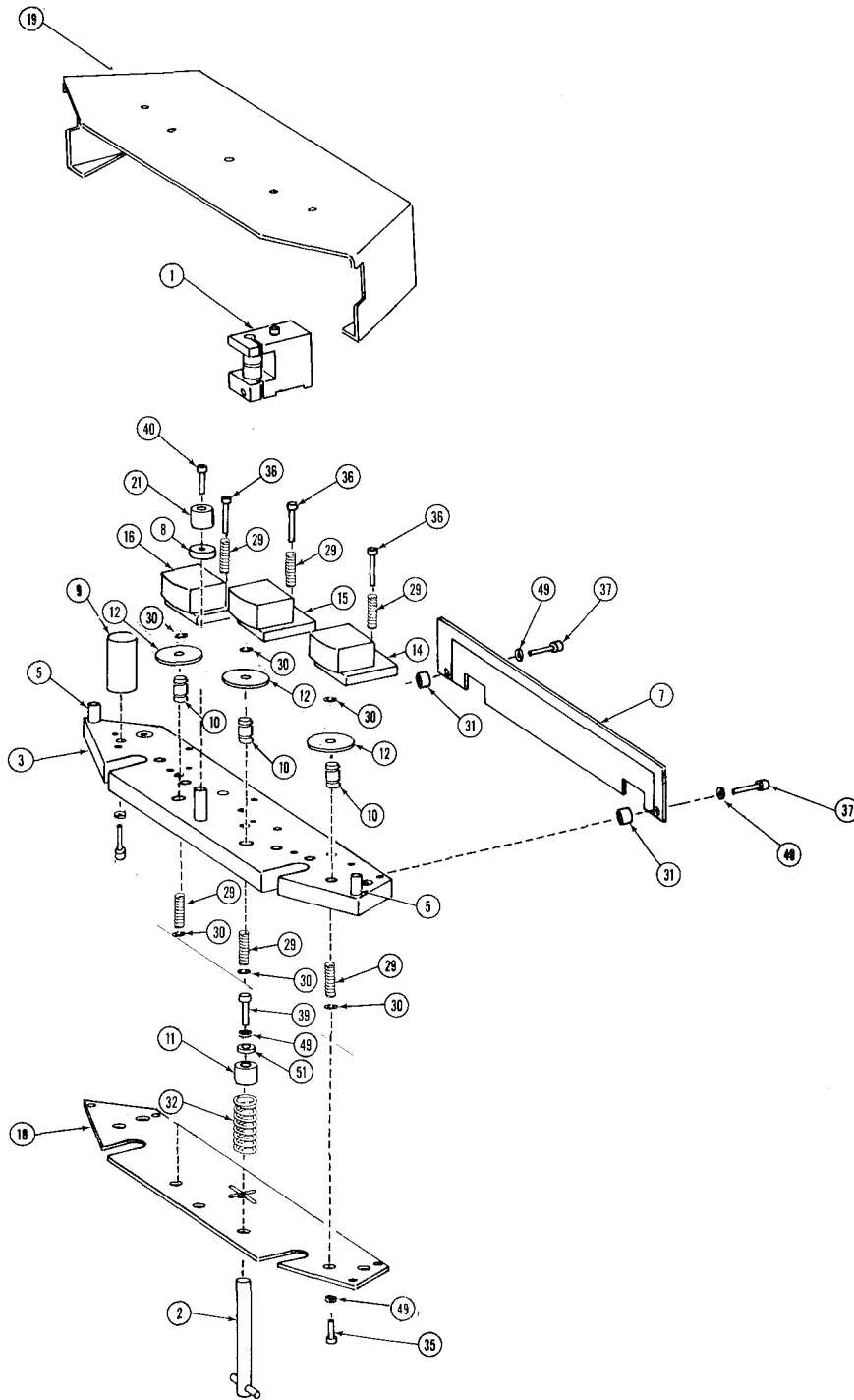
E

SHEET 1 OF 1

ITEM NO.	AMPEX PART NO.	REFERENCE NUMBER	DESCRIPTION	JEDEC NO. OR MFR. PART NO.
	4020413-02		FULL TRACK HEAD ASSEMBLY, 1/4 INCH (NHA 4010260)	
1	4030402-AA		SCRAPE FLUTTER IDLER ASSEMBLY	
2	4041225-01		SHAFT ASSEMBLY, HEAD ASSY LOCK	
3	4041237-01		PLATE ASSEMBLY, HEAD	
5	4041243-01		GUIDE ASSEMBLY, EDGE	
6	4041265-01		PINION GEAR ASSY	
7	4050846-01		HEAD CONNECTOR PWA	
8	4210361-01		GUIDE, EDGE HEAD	
9	4210362-01		POST, DUMMY HEAD	
10	4210385-01		PIN, HEAD RETAINING	
11	4220322-01		SPACER, LOCK SPRING	
12	4240018-01		GEAR, MODIFICATION	
14	4350231-01		HEAD STACK ASSY, FULL TRK, PLAY	
15	4350232-01		HEAD STACK ASSY, FULL TRK, RECORD	
16	4350233-01		HEAD STACK ASSY, FULL TRK, ERASE	
18	4600092-01		SHIELD, HEADS, BOTTOM	
19	4600093-01		SHIELD, HEADS	
21	4210390-01		DEFLECTOR, 1/4 INCH TAPE	
22	6000035-02		LABEL, IDENTIFICATION	
29	352-443		SPRING, COMPRESSION	LEE LC-024B-1-MW
30	430-152		RING, RETAINING	TRUARC NO. 5133-12
31	280-366		SPACER, PLAIN, 0.188 OD X 0.18 LG	
32	352-228		SPRING	C0360-045-1000M
35	470-009		SCREW, CAP, HEX Soc, NO. 4-40 X 5/16	
36	470-011		SCREW, CAP, HEX SOC, NO. 4-40 X 7/16	
37	470-013		SCREW, CAP, HEX SOC, NO. 4-40 X 5/8	
39	470-136		SCREW, CAP, HEX SOC, NO. 4-40 X 7/8	
40	470-476		SCREW, CAP, BUTTON HD, NO. 4-40 X 1/2	
49	502-002		WASHER, SPRING, NO. 4	
51	502-389		WASHER, FLAT, NO. 4	

B

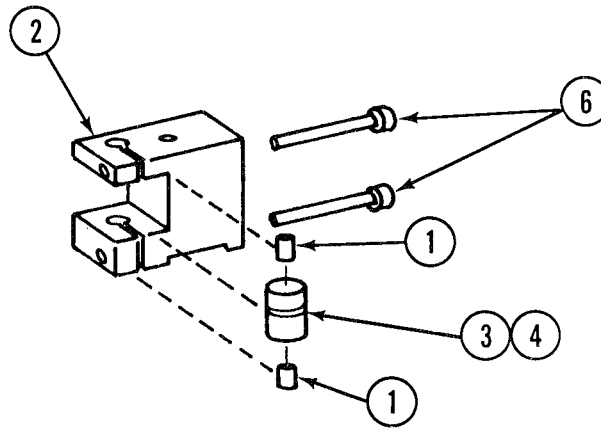
SHEET 1 OF 1



Assembly No. 4020413. Full Track Head Assembly, 1/4 Inch

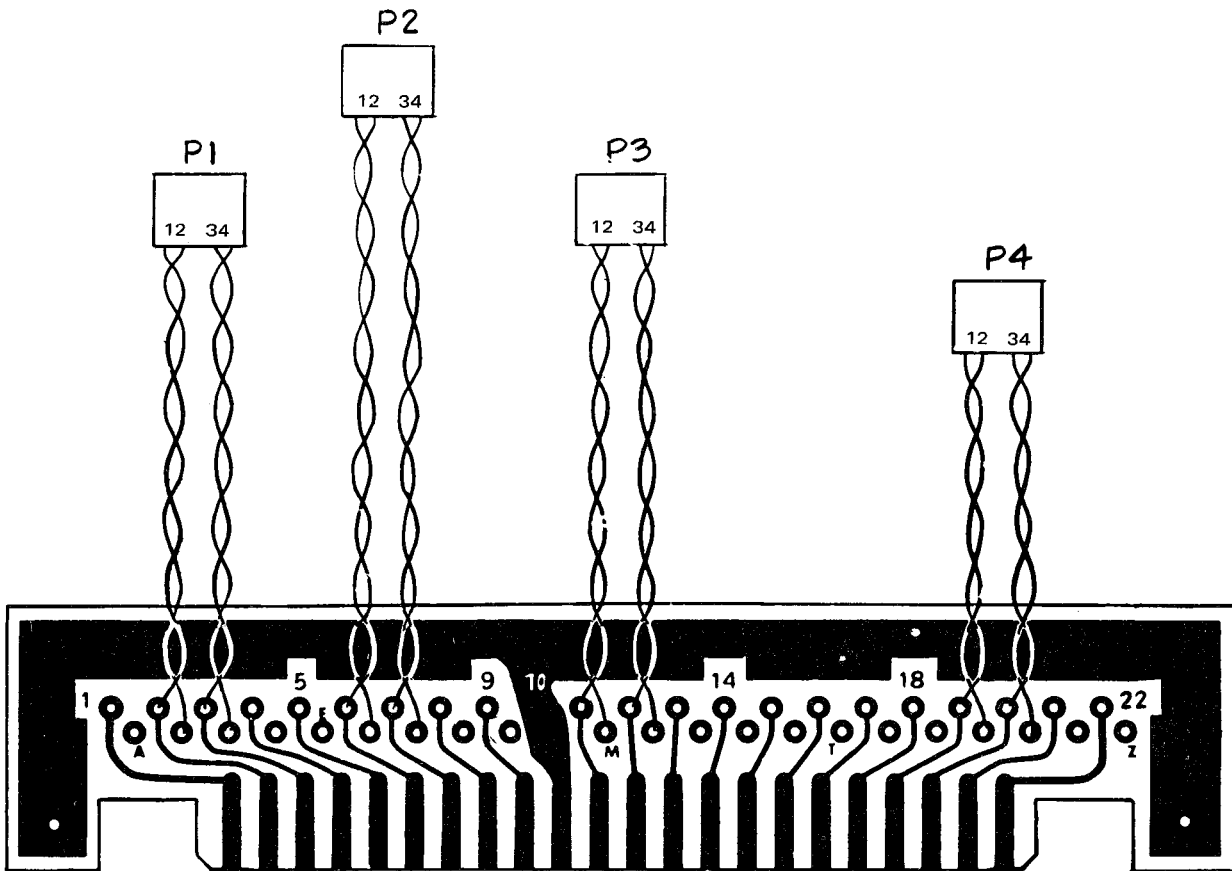
ITEM NO.	AMPEX PART NO.	REFERENCE NUMBER	DESCRIPTION	JEDEC NO. OR MFR. PART NO.
	4030402-AA 4030402-AB		SCRAPE FLUTTER IDLER ASSEMBLY, STANDARD SCRAPE FLUTTER IDLER ASSEMBLY, OPTIONAL (NHA 4020413, 4020417, 4020418)	
1	4041245-01		HOLDER, BEARING ASSY	
2	4230280-01		YOKE, SCRAPE FLUTTER	
3	4250207-01		IDLER, SCRAPE FLUTTER, STANDARD	
4	4250207-02		IDLER, SCRAPE FLUTTER, OPTIONAL	
5	087-738		OIL, PRECISION INSTRUMENT	
6	470-611		SCREW, CAP, HEX SOCKET, NO. 2-56 X 7/8	B

SHEET 1 OF 1



ITEM NO.	AMPEX PART NO.	REFERENCE NUMBER	DESCRIPTION	JEDEC NO. OR MFR. PART NO.
2	4050846-01 139-864		HEAD CONNECTOR PWA, 1-2 CHANNEL (NHA 4020413, 4020417) CONNECTOR ASSEMBLY	

SHEET 1 OF 1



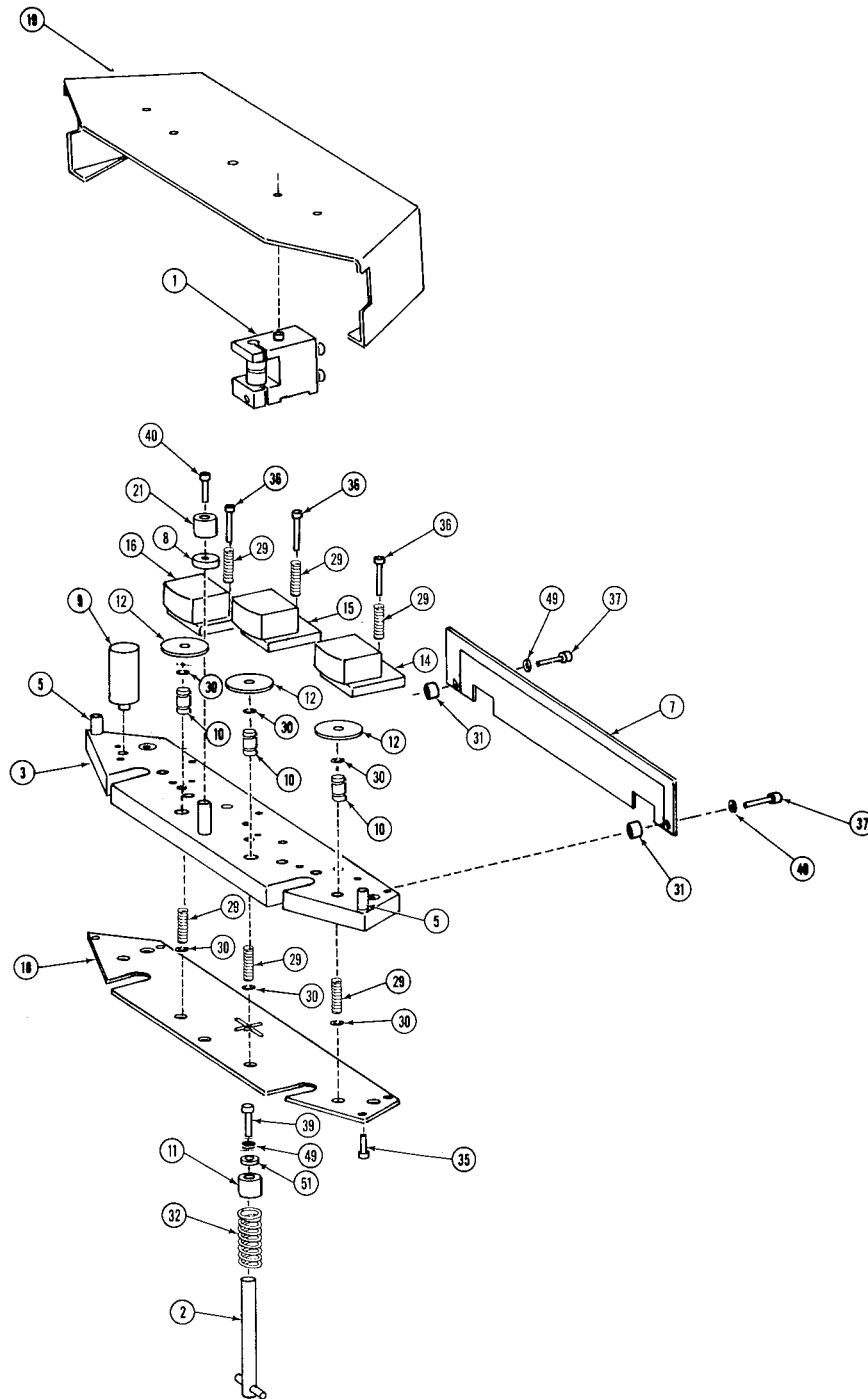
LEAD DIMENSIONS
(PRIOR TO TWISTING)

CONN	DIM A
P1	2.00
P2	2.50
P3	2.00
P4	1.50

ITEM NO.	AMPEX PART NO.	REFERENCE NUMBER	DESCRIPTION	JEDEC NO. OR MFR. PART NO.
	4020417-02		TWO TRACK HEAD ASSEMBLY, 1/4 INCH (NHA 4010261)	
1	4030402-AA		SCRAPE FLUTTER, IDLER ASSEMBLY	
2	4041225-01		SHAFT ASSEMBLY, HEAD ASSY LOCK	
3	4041237-01		PLATE ASSEMBLY, HEAD	
5	4041243-01		GUIDE ASSEMBLY, EDGE	
6	4041265-01		PINION GEAR ASSY	
7	4050846-01		HEAD CONNECTOR PWA	
8	4210361-01		GUIDE, EDGE HEAD	
9	4210362-01		POST, DUMMY HEAD	
10	4210385-01		PIN, HEAD RETAINING	
11	4220322-01		SPACER, LOCK SPRING	
12	4240018-01		GEAR, MODIFICATION	
14	4350234-01		HEAD STACK ASSY, TWO TRK, PLAY	
15	4350235-01		HEAD STACK ASSY, TWO TRK, RECORD	
16	4350236-01		HEAD STACK ASSY, TWO TRK, ERASE	
18	4600092-01		SHIELD, HEADS, BOTTOM	
19	4600093-01		SHIELDS, HEADS	
29	352-443		SPRING, COMPRESSION	LEE LC-024B-1-MW
30	430-152		RING, RETAINING	TRUARC NO. 5133-12
31	280-366		SPACER, PLAIN 0.18 OD X 0.18 LG	
32	352-228		SPRING, COMPRESSION	C0360-045-1000M
35	470-009		SCREW, CAP, HEX SOC, NO. 4-40 X 5/16	
36	470-011		SCREW, CAP, HEX SOC, NO. 4-40 X 7/16	
37	470-013		SCREW, CAP, HEX SOC, NO. 4-40 X 5/8	
39	470-136		SCREW, CAP, HEX SOC, NO. 4-40 X 7/8	
40	470-476		SCREW, CAP, BUTTON HD, NO. 4-40 X 1/2	
49	502-002		WASHER, SPRING, NO. 4	
51	502-389		WASHER, FLAT, NO. 4	

B

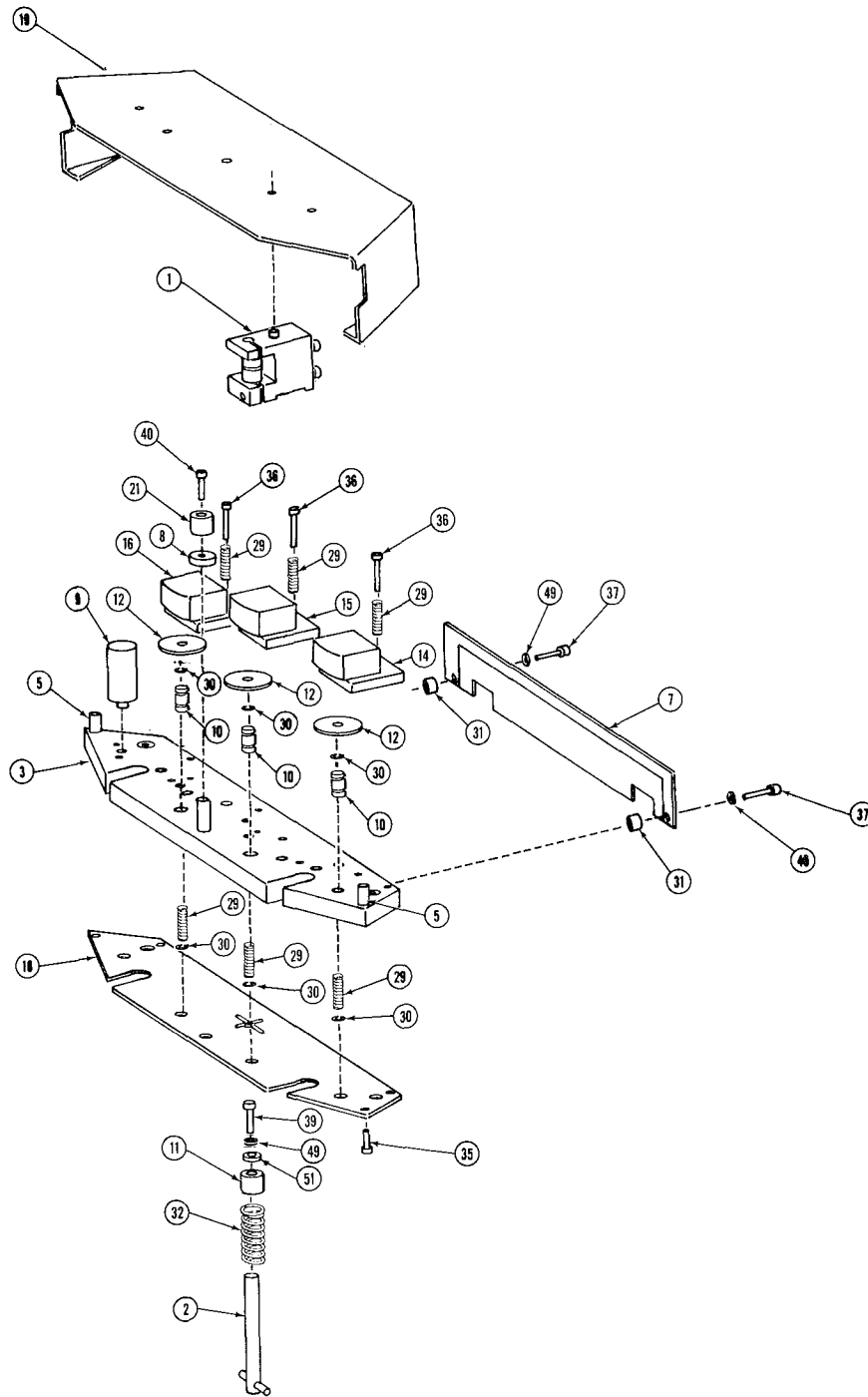
SHEET 1 OF 1



Assembly No. 4020417. Two Track Head Assembly, 1/4 Inch

ITEM NO.	AMPEX PART NO.	REFERENCE NUMBER	DESCRIPTION	JEDEC NO. OR MFR. PART NO.
	4020418-02		FOUR TRACK HEAD ASSEMBLY, 1/2 INCH (NHA 4010262)	
1	4030402-AA		SCRAPE FLUTTER, IDLER ASSEMBLY	
2	4041225-01		SHAFT ASSEMBLY, HEAD ASSY LOCK	
3	4041237-01		PLATE ASSEMBLY, HEAD	
5	4041243-01		GUIDE ASSEMBLY, EDGE	
6	4041265-01		PINION GEAR ASSY	
7	4050837-01		HEAD CONNECTOR PWA	
8	4210361-01		GUIDE, EDGE HEAD	
9	4210362-01		POST, DUMMY HEAD	
10	4210385-01		PIN, HEAD RETAINING	
11	4220322-01		SPACER, LOCK SPRING	
12	4240018-01		GEAR, MODIFICATION	
13	4290936-01		ADAPTER, 1/2 INCH TAPE	
14	4350237-01		HEAD STACK ASSY, FOUR TRK, PLAY	
15	4350238-01		HEAD STACK ASSY, FOUR TRK, RECORD	
16	4350239-01		HEAD STACK ASSY, FOUR TRK, ERASE	
18	4600092-01		SHIELD, HEADS, BOTTOM	
19	4600093-01		SHIELD, HEADS	
29	352-443		SPRING, COMPRESSION	LEE LC-024B-1-MW
30	430-152		RING, RETAINING	TRUARC NO. 5133-12
31	280-366		SPACER, PLAIN, 0.18 OD X 0.18 LG	C0360-045-1000M
32	352-228		SPRING, COMPRESSION	
35	470-009		SCREW, CAP, HEX SOC, NO. 4-40 X 5/16	
36	470-011		SCREW, CAP, HEX SOC, NO. 4-40 X 7/16	
37	470-013		SCREW, CAP, HEX SOC, NO. 4-40 X 5/8	
39	470-136		SCREW, CAP, HEX SOC, NO. 4-40 X 7/8	
40	470-643		SCREW, CAP, BUTTON HD, NO. 4-40 X 3/4	
47	501-751		WASHER, FLAT, NO. 4, FIBER	
49	502-002		WASHER, SPRING, NO. 4	
51	502-389		WASHER, FLAT, NO. 4	

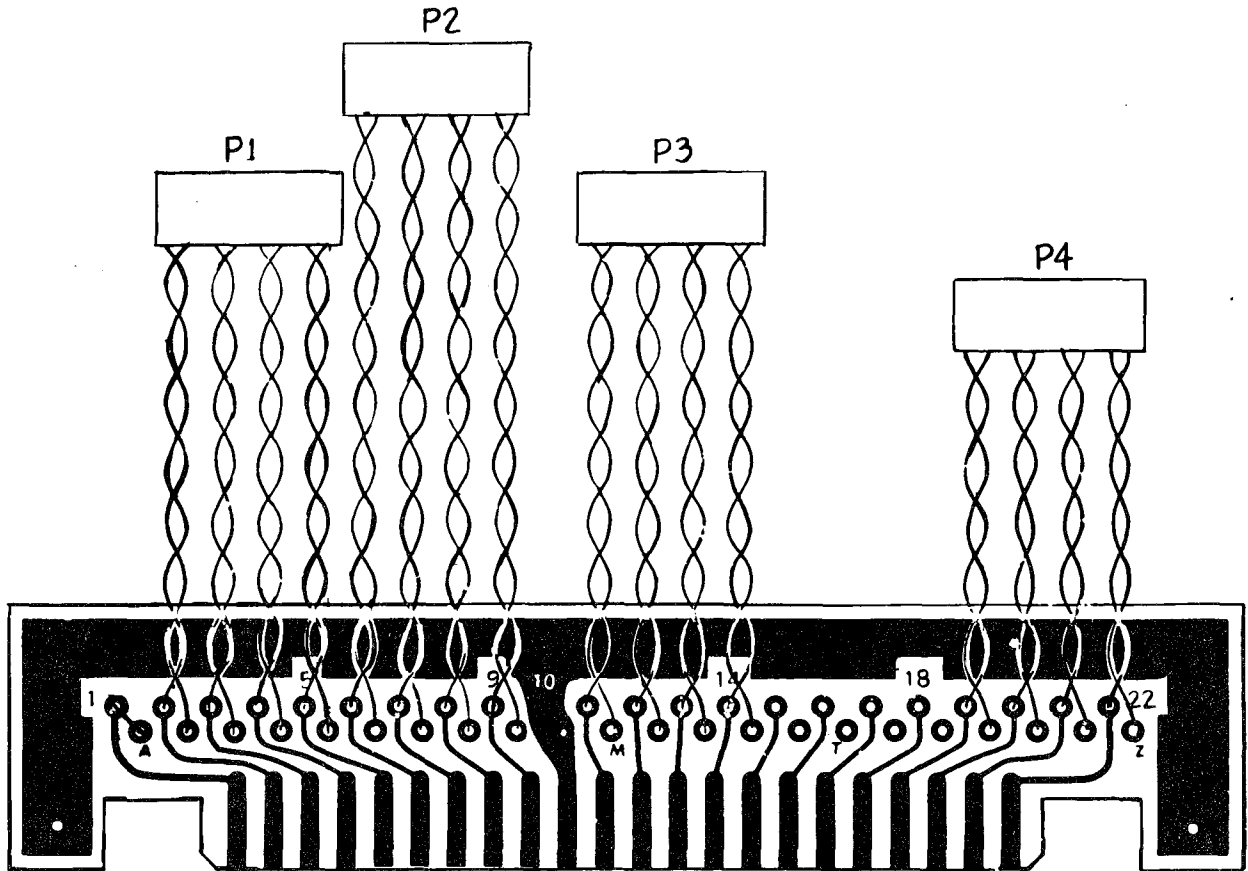
B



Assembly No. 4020418. Four Track Head Assembly, 1/2 Inch

ITEM NO.	AMPEX PART NO.	REFERENCE NUMBER	DESCRIPTION	JEDEC NO. OR MFR. PART NO.
2	4050837-01 139-865		HEAD CONNECTOR PWA, 4 CHANNEL (NHA 4020418) CONNECTOR ASSEMBLY	

SHEET 1 OF 1

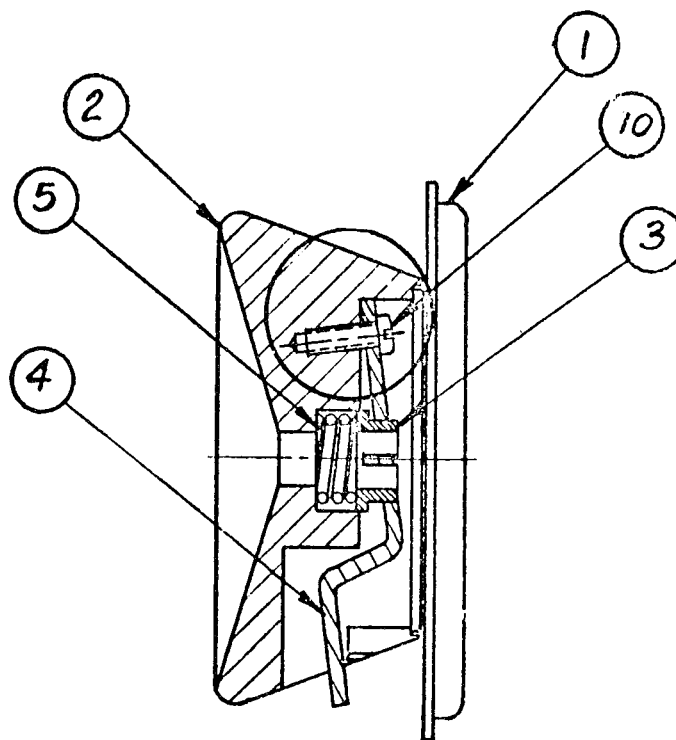


ITEM NO.	AMPEX PART NO.	REFERENCE NUMBER	DESCRIPTION	JEDEC NO. OR MFR. PART NO.
	4010255-01		MISCELLANEOUS PARTS KIT, 1/4 INCH (NHA 4010260, 4010261)	
1	4040492-10		KNOB, HOLDDOWN	
4	4690003-10		REEL, EMPTY, 1/4 INCH X 10 1/2 INCH	
6	4890407		MANUAL, INSTRUCTION	
8	139-840		CONNECTOR, I/O, 24 PIN	
10	360-005		TOOL, KEY, HEX, 0.062 AF	
11	360-006		TOOL, KEY, HEX, 0.078 AF	
12	360-003		TOOL, KEY, HEX, 0.094 AF	
13	360-436		TOOL, KEY, HEX, 0.109 AF	
14	360-435		TOOL, KEY, HEX, 0.156 AF	
15	360-434		TOOL, KEY, HEX, 0.187 AF	
18	718-089		BAG, POLYETHYLENE, 4 X 5	

ITEM NO.	AMPEX PART NO.	REFERENCE NUMBER	DESCRIPTION	JEDEC NO. OR MFR. PART NO.
	4010267-01		MISCELLANEOUS PARTS KIT, 1/2 INCH (NHA 4010262)	
1	4040492-10		KNOB, HOLDDOWN	
4	4690003-20		REEL, EMPTY, 1/2 INCH X 10 1/2 INCH	
6	4890407		MANUAL, INSTRUCTION	
8	139-840		CONNECTOR, I/O, 24 PIN	
10	360-005		TOOL, KEY, HEX, 0.062 AF	
11	360-006		TOOL, KEY, HEX, 0.078 AF	
12	360-003		TOOL, KEY, HEX, 0.094 AF	
13	360-436		TOOL, KEY, HEX, 0.109 AF	
14	360-435		TOOL, KEY, HEX, 0.156 AF	
15	360-434		TOOL, KEY, HEX, 0.187 AF	
18	718-089		BAG, POLYETHYLENE, 4 X 4	

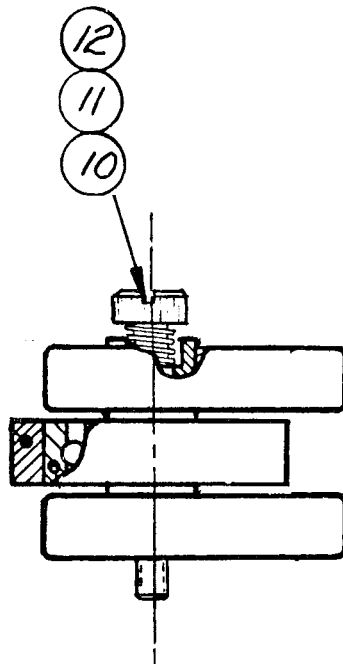
ITEM NO.	AMPEX PART NO.	REFERENCE NUMBER	DESCRIPTION	JEDEC NO. OR MFR. PART NO.
	4040492-10		REEL KNOB ASSEMBLY (NHA 4010267, 4010255)	
1	4040493-10		REEL KNOB, SUB ASSEMBLY	
2	4100136-10		REEL KNOB	
3	4220164-10		COLLET, REEL HOLD DOWN	
4	4230176-10		LEVER, REEL KNOB	
5	4270189-10		SPRING, REEL HOLD DOWN	
10	476-062		SCREW, PAN HEAD, XREC, SELF-TAPPING, NO. 6-32 X 3/8 LG	
11	476-226		SCREW, PAN HD, SLOTTED, SELF-TAPPING, NO. 8-32 X 3/8	L

SHEET 1 OF 1



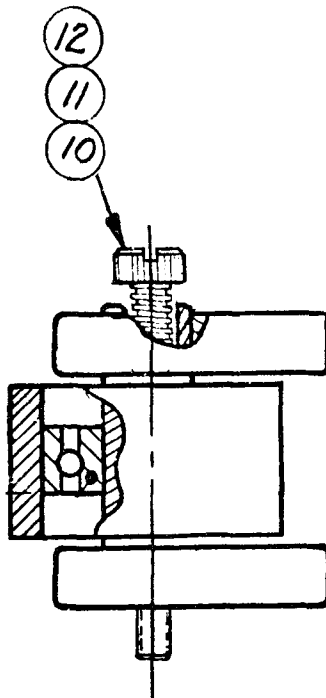
ITEM NO.	AMPEX PART NO.	REFERENCE NUMBER	DESCRIPTION	JEDEC NO. OR MFR. PART NO.
10 11 12	4041239-AC 4041239-AD 430-374 352-443 4400271-01		TAPE GUIDE ASSEMBLY, 1/4 INCH, SUPPLY TAPE GUIDE ASSEMBLY, 1/4 INCH, TAKEUP (NHA 4010260, 4010261) RING, RETAINING SPRING, COMPRESSION SCREW, 1/4 INCH TAPE GUIDE	C

SHEET 1 OF 1



ITEM NO.	AMPEX PART NO.	REFERENCE NUMBER	DESCRIPTION	JEDEC NO. OR MFR. PART NO.
10 11 12	4041240-AC 4041240-AD 430-374 352-443 4400272-01		TAPE GUIDE ASSEMBLY, 1/2 INCH, SUPPLY TAPE GUIDE ASSEMBLY, 1/2 INCH, TAKEUP (NHA 4010260, 4010261, 4010262) RING, RETAINING SPRING, COMPRESSION SCREW, 1/2 INCH, TAPE GUIDE	C

SHEET 1 OF 1



ITEM NO.	AMPEX PART NO.	REFERENCE NUMBER	DESCRIPTION	JEDEC NO. OR MFR. PART NO.
	4010254-04		INPUT/OUTPUT MAIN FRAME ASSEMBLY (NHA 4010260, 4010261, 4010262)	
5	4050840-01		INPUT/OUTPUT MAIN FRAME HARNESS	
6	4260573-01		BRACKET, COVER SUPPORT	
8	4260531-02		BRACKET	
10	4290827-02		CHASSIS, MAIN FRAME	
12	4330341-02		CASTING, FRAME	
13	4840427		SCHEMATIC	
15	041-101	R1,2	RESISTOR, 1W, 620 OHM, 5%	
17	119-196	S1,2	SWITCH, DPDT, SLIDE	
19	143-198	J17,18	CONNECTOR, PCB, 22 PIN, DUAL CONTACT	
20	146-998		CONNECTOR, AUDIO RECP, 3 SOC, XLR	
21	147-999		CONNECTOR, AUDIO RECEP, 3 PIN, XLR	
22	471-070		SCREW, PAN HD, 6-32, 0.438 LG	
23	470-012		SCREW, SOCKET HEAD, 4/40 X 1/2 INCH	
25	471-062		SCREW, PAN HD, 4/40 X 3/8 INCH	
26	471-328		SCREW, FLT HD, 4/40 X 3/8 INCH	
27	476-998		SCREW, SELF-TAP, 1/4 INCH, 6/20	
28	476-010		SCREW, SELF-TAP, 3/16 INCH, 6/20	
29	496-004		NUT, KEP, 4/40	
31	496-005		NUT, HEX, KEP, 6/32	
34	501-013		WASHER, PLAIN, NO. 2, CORR RESIST	
35	302-088		CLAMP, LOOP, OFFSET, 0.500 ID, NYLON, BLK	
36	502-003		WASHER, LOCK, NO. 6, HELICAL SPRING	
37	501-009		WASHER, PLAIN, NO. 6	
40	6000035-01		LABEL	
41	470-018		SCREW, CAP, SOCKET HD, 6-32, 0.375 LG	

H

SHEET 1 OF 1

ITEM NO.	AMPEX PART NO.	REFERENCE NUMBER	DESCRIPTION	JEDEC NO. OR MFR. PART NO.
	4020409-04		INPUT/OUTPUT MODULE ASSEMBLY (NHA 4010260, 4010261, 4010262)	
2	4050828-01	P3	BIAS AND ERASE INDICATORS PWA	
3	4110292-02		OVERLAY	
6	4140028-01		METER	
7	4290828-02		CHASSIS, MODULE	
9	4840421		SCHEMATIC, REV D	
10	4140026-02		FLAG, SCALE INDICATOR	
12	6000006-20		KNOB, BLACK	
13	058-980	R2	POTENTIOMETER, 50K, Z TAPER (REPRO LEVEL)	
14	058-981	R1	POTENTIOMETER, 100K, Z TAPER (RECORD LEVEL)	
15	060-019	DS3,4	LAMP, (VU METER)	NO. 327
17	139-872	J4	CONNECTOR, SIGNAL CIRCUIT, JACK	
18	167-369		CONTACT, SPRING, PUSH-ON	
19	167-370	P1	BODY, CONNECTOR, PLUG, 6-POSITION	
20	167-404	P2	BODY, CONNECTOR, PLUG, 2-POSITION	
21	280-344		SPACER, UNTHREADED, PLAIN, NO. 6, 0.250 OD X 0.125 LG	
22	172-009		LUG, SOLDER	
24	496-004		NUT, WITH ASSEMBLED WASHER, 4-40	
25	470-010		SCREW, SOCKET HEAD, 4-40 X 3/8	
27	470-023		SCREW, SOCKET HEAD, 6-32 X 7/8	
28	471-061		SCREW, PAN HEAD, 4-40 X 5/16	
29	502-002		WASHER, SPRING LOCK, NO. 4	
30	280-659		SPACER, UNTHREADED, 0.375 LG	
33	4050827-03		INPUT/OUTPUT MODULE PWA	

F

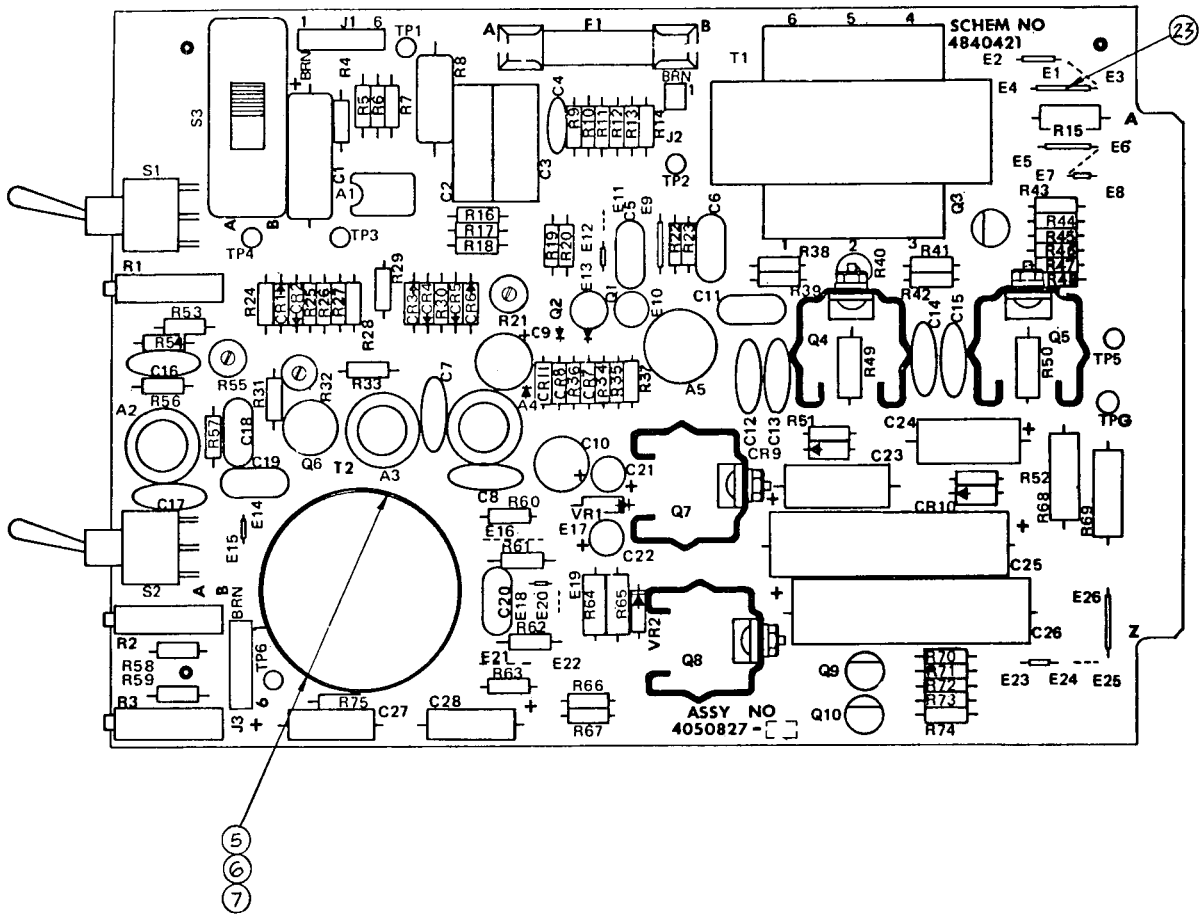
ITEM NO.	AMPEX PART NO.	REFERENCE NUMBER	DESCRIPTION	JEDEC NO. OR MFR. PART NO.
	4050827-03		INPUT/OUTPUT MODULE PWA (NHA 4020409)	
2	4840421		SCHEMATIC, REV D	
5	4290941-01		COVER, INPUT TRANSFORMER	
6	4290942-01		CAN, INPUT TRANSFORMER	
7	4580066-01	T2	TRANSFORMER, INPUT	
8	4580067-01	T1	TRANSFORMER, OUTPUT	
10	070-011	F1	FUSE, FAST BLOW, 0.5 AMP	
12	013-599	CR1-8,11	DIODE	IN914
14	013-678	CR9,10	DIODE	IN4005
15	581-291	VR1,2	DIODE	IN4745A
18	014-247	Q6	TRANSISTOR	2N2219
19	014-652	Q3,9,10	TRANSISTOR	2N3906
20	580-304	Q1,2	TRANSISTOR	P1087E
21	580-760	Q7	TRANSISTOR	GE D44C9
22	580-761	Q8	TRANSISTOR	GE D45C9
23	580-859	Q5	TRANSISTOR	TIP41B
24	580-860	Q4	TRANSISTOR	TIP42B
25	587-478	A2-5	INTEGRATED CIRCUIT	318H
26	586-905	A1	INTEGRATED CIRCUIT	1458
29	122-423	S1	SWITCH, TOGGLE, SPDT	
30	119-368	S2	SWITCH, TOGGLE, DPDT	
31	119-377	S3	SWITCH, SLIDE, DPDT	
33	034-215	C19	CAPACITOR, MICA, 10 PF, 500V, ± 0.5 PF	
34	034-156	C6	CAPACITOR, MICA, 5 PF, 500V, ± 0.5 PF	
36	034-181	C5	CAPACITOR, MICA, 47 PF, 500V, 5%	
37	034-182	C11	CAPACITOR, MICA, 56 PF, 500V, 5%	
38	034-183	C18	CAPACITOR, MICA, 62 PF, 500V, 5%	
39	037-996	C23,24	CAPACITOR, TANT, TUBULAR, 10 UF, 35V, 10%	
40	037-991	C27,28	CAPACITOR, TANT, TUBULAR, 22 UF, 15V, 10%	
41	037-812	C21,22	CAPACITOR, TANT, DIPPED, 10 UF, 25V, 10%	
42	037-746	C1	CAPACITOR, TANT, TUBULAR, 47 UF, 20V, 10%	
43	037-967	C9,10	CAPACITOR, TANT, DIPPED, 220 UF, 10V, 10%	
45	055-193	C2	CAPACITOR, MYLAR, 0.27 UF, 50V, 5%	
46	055-853	C3	CAPACITOR, MYLAR, 0.33 UF, 50V, 5%	
48	063-031	C25,26	CAPACITOR, ALUM, 100 UF, 50V, + 75%-10%	
50	064-116	C4	CAPACITOR, CER, 0.01 UF, 50V, + 80-20%	
51	064-115	C7,8,12-17	CAPACITOR, CER, 0.1 UF, 50V, + 80-20%	
54	041-789	R6	RESISTOR, COMP, 6.8M, 1/4W 5%	
55	041-032	R49,50	RESISTOR, COMP, 10 OHM, 1/2W, 10%	
56	049-572	R68,69	RESISTOR, COMP, 18 OHM, 1W, 10%	
57	041-473	R64,65	RESISTOR, COMP, 240 OHM, 1/2W, 5%	
58	041-405	R15	RESISTOR, COMP, 1.2K, 1/2W, 5%	
61	041-885	R8	RESISTOR, COMP, 200 OHM, 1W, 5%	
63	066-599	R60-63	RESISTOR, METAL FILM, 12.7 OHM, 1/4W, 1%	
64	076-019	R16-18,29	RESISTOR, METAL FILM, 59K, 1/4W, 1%	
65	066-803	R5	RESISTOR, METAL FILM, 182K, 1/4W, 1%	
67	076-070	R11	RESISTOR, METAL FILM, 210K, 1/4W, 1%	
68	076-064	R9	RESISTOR, METAL FILM, 309K, 1/4W, 1%	
69	076-063	R12	RESISTOR, METAL FILM, 374K, 1/4W, 1%	
71	066-810	R51,52	RESISTOR, CARBON FILM, 10 OHM, 1/4W, 5%	
72	076-041	R74	RESISTOR, CARBON FILM, 27 OHM, 1/4W, 5%	
73	066-938	R24	RESISTOR, CARBON FILM, 47 OHM, 1/4W, 5%	
74	076-004	R42,48	RESISTOR, CARBON FILM, 180 OHM, 1/4W, 5%	
75	066-663	R14,43	RESISTOR, CARBON FILM, 220 OHM, 1/4W, 5%	
76	066-841	R19	RESISTOR, CARBON FILM, 1.3K, 1/4W, 5%	

D

SHEET 1 OF 2

ITEM NO.	AMPEX PART NO.	REFERENCE NUMBER	DESCRIPTION	JEDEC NO. OR MFR. PART NO.
77	066-842	R38,56	RESISTOR, CARBON FILM, 5.1K, 1/4W, 5%	
78	066-715	R66,67	RESISTOR, CARBON FILM, 1.2K, 1/4W, 5%	
79	066-830	R20	RESISTOR, CARBON FILM, 10K, 1/4W, 5%	
80	066-689	R30	RESISTOR, CARBON FILM, 2.2K, 1/4W, 5%	
81	066-666	R58	RESISTOR, CARBON FILM, 2.7K, 1/4W, 5%	
82	066-718	R13	RESISTOR, CARBON FILM, 5.6K, 1/4W, 5%	
83	066-863	R41,47	RESISTOR, CARBON FILM, 3.6K, 1/4W, 5%	
84	066-830	R25,70,72	RESISTOR, CARBON FILM, 10K, 1/4W, 5%	
85	066-865	R33	RESISTOR, CARBON FILM, 12K, 1/4W, 5%	
86	066-856	R28	RESISTOR, CARBON FILM, 15K, 1/4W, 5%	
87	066-832	R34,36	RESISTOR, CARBON FILM, 18K, 1/4W, 5%	
88	066-712	R45,46,71,73	RESISTOR, CARBON FILM, 22K, 1/4W, 5%	
89	066-866	R22	RESISTOR, CARBON FILM, 27K, 1/4W, 5%	
90	066-847	R35,37	RESISTOR, CARBON FILM, 33K, 1/4W, 5%	
91	066-717	R26,27	RESISTOR, CARBON FILM, 47K, 1/4W, 5%	
92	066-833	R4,54,57,59	RESISTOR, CARBON FILM, 56K, 1/4W, 5%	
93	076-009	R44	RESISTOR, CARBON FILM, 68K, 1/4W, 5%	
94	066-868	R7,53	RESISTOR, CARBON FILM, 120K, 1/4W, 5%	
95	076-011	R23,31	RESISTOR, CARBON FILM, 180K, 1/4W, 5%	
96	066-586	R39	RESISTOR, CARBON FILM, 220K, 1/4W, 5%	
97	076-012	R10	RESISTOR, CARBON FILM, 330K, 1/4W, 5%	
98	066-812	R75	RESISTOR, CARBON FILM, 100 OHM, 1/4W, 5%	
100	058-388	R1-3	RESISTOR, VAR, CERMET, 50K, 0.75W	
102	058-001	R21	RESISTOR, VAR, CERMET, 50K, 1/2W, 20%	
103	058-251	R55	RESISTOR, VAR, CERMET, 100K, 1/2W, 20%	
104	058-469	R32,40	RESISTOR, VAR, CERMET, 200K, 1/2W, 10%	
111	070-399	XF1	CLIP, FUSE	
118	471-060		SCREW, PAN HD, XREC, NO. 4-40 X 1/4 LG	
120	496-004		NUT, KEP, NO. 4-40	

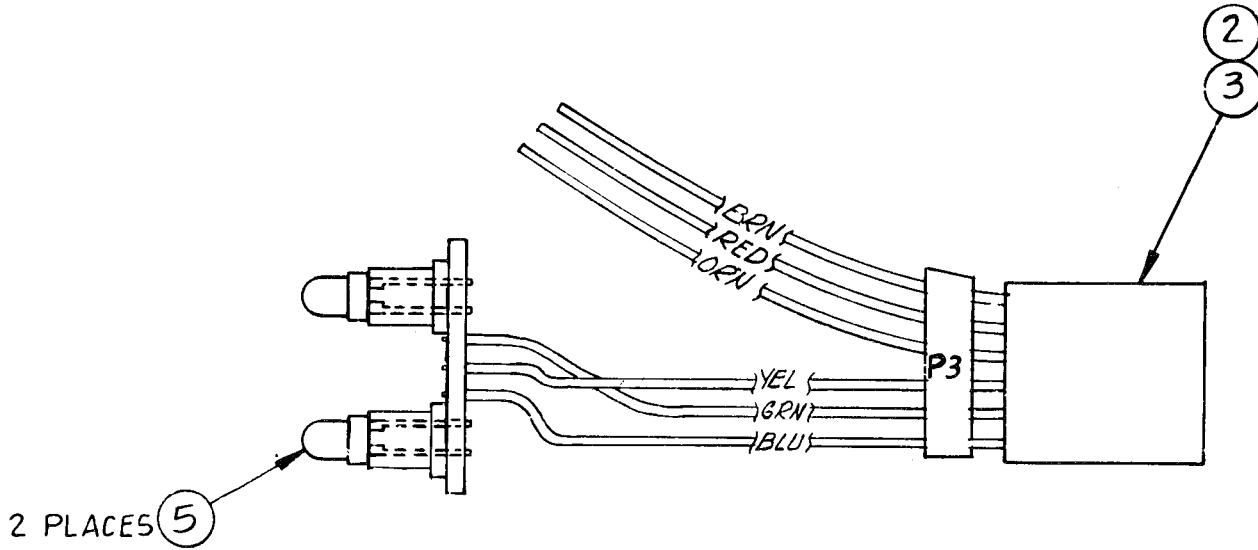
D



Assembly No. 4050827. Input/Output Module PWA

ITEM NO.	AMPEX PART NO.	REFERENCE NUMBER	DESCRIPTION	JEDEC NO. OR MFR. PART NO.
2 3 5	4050828-01 167-369 167-370 581-400	P3 DS1,2	BIAS AND ERASE INDICATORS PWA CONTACT BODY, CONNECTOR DIODE, LIGHT EMITTING, RED	B

SHEET 1 OF 1

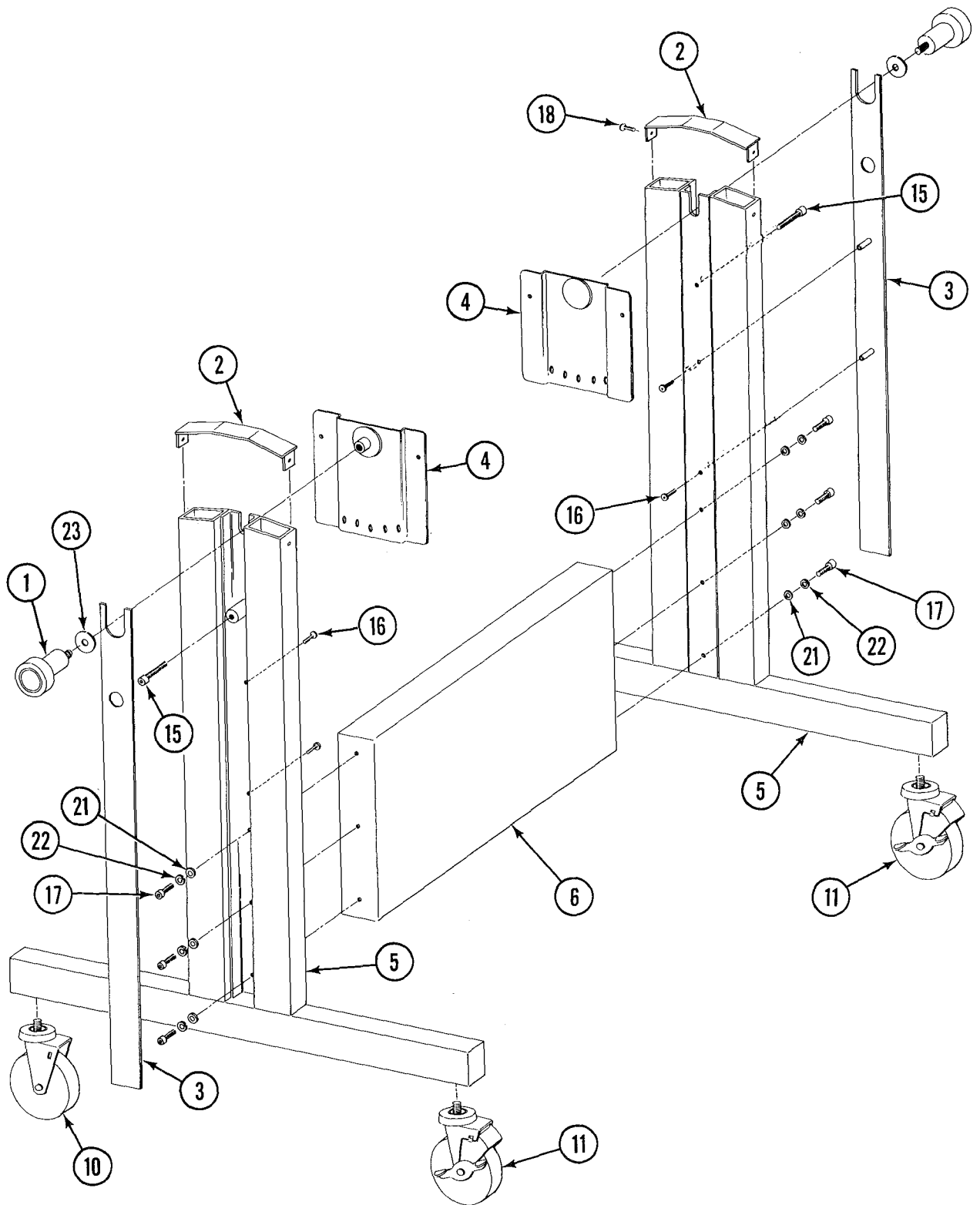


ITEM NO.	AMPEX PART NO.	REFERENCE NUMBER	DESCRIPTION	JEDEC NO. OR MFR. PART NO.
1 4 6	4050840-01 4840427 139-840 265-082		INPUT/OUTPUT MAIN FRAME HARNESS SCHEMATIC, REV A CONNECTOR, PLUG, 24 PIN BUSHING, CABLE 7/16 ID	HEYCO SB 625-7

F

ITEM NO.	AMPEX PART NO.	REFERENCE NUMBER	DESCRIPTION	JEDEC NO. OR MFR. PART NO.
	4020426-01		PEDESTAL ASSEMBLY (NHA 4010260, 4010261, 4010262)	
1	4041268-01		KNOB ASSY	
2	4150362-01		CAP, TOP	
3	4150368-01		TRIM STRIP	
4	4150369-01		PLATE, PIVOT	
5	4150370-01		WELDMENT	
6	4041267-01		PANEL ASSY	
10	082-066		CASTER, WITHOUT BRAKE SWIVEL	
11	082-065		CASTER, WITH BRAKE SWIVEL	
15	470-655		SCREW, CAP HD HEX SOC, 1/4-20-1, BLK OXIDE	
16	470-531		SCREW, BUTTON HD HEX SOC, 10-32 X 1/2, BLK OXIDE	
17	470-045		SCREW, CAP HD HEX SOC, 1/4-20 X 1/2 INCH, CAD PLATE	
18	472-954		SCREW, BUTTON HD HEX SOC, 6-32 X 0.375, BLK OXIDE	
21	501-067		WASHER, PLAIN, 1/4	
22	502-006		WASHER, LOCK, SPLIT, 1/4	
23	502-426		WASHER, PLAIN, NYLON, 0.562 ID X 1.12 OD X 0.031	

A



Assembly No. 4020426. Pedestal Assembly

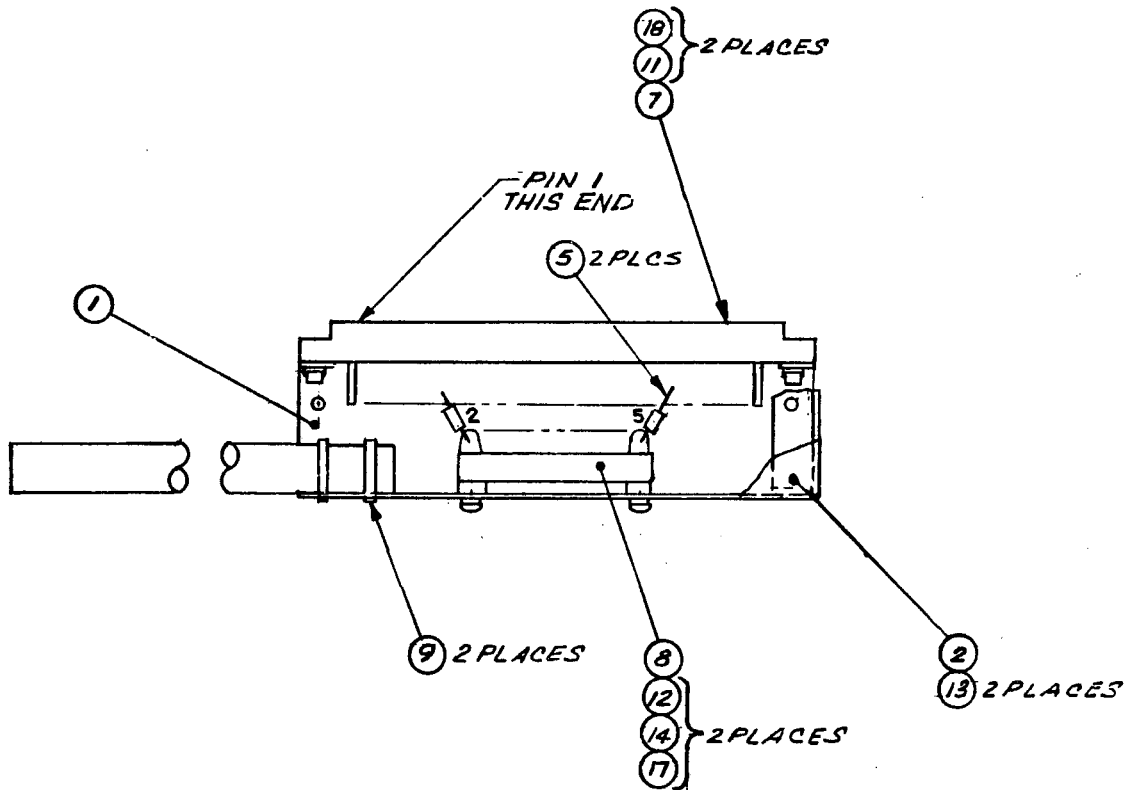
ITEM NO.	AMPEX PART NO.	REFERENCE NUMBER	DESCRIPTION	JEDEC NO. OR MFR. PART NO.
	4010264-02		REMOTE CONTROL UNIT, 4 CHANNEL (NHA 4010262, 4010261, 4010260)	
4	4100080-AA		PUSHBUTTON, LARGE, GREY	
5	4100080-AB		PUSHBUTTON, LARGE, RED	
6	4100081-01		PUSHBUTTON, SMALL, GREY	
9	4110299-01		OVERLAY	
11	4050784-02		CONTROL UNIT NO. 1 PWA, 4 CHANNEL	
12	4050785-02		CONTROL UNIT NO. 2 PWA, 4 CHANNEL	
13	280-327		SPACER, THREADED, 4-40 0.500 LG	
14	471-061		SCREW, PAN HEAD, 0.312 LG	
16	501-195		WASHER, NO. 4, 0.209 OD, 0.032 THK	
17	4150351-02		CASE, TOP	
18	4150352-02		CASE, BOTTOM	
21	302-379		STRAP, CABLE, TY RAP	
22	4330357-01		PLATE, LOCKING	
24	471-575		SCREW, BINDER HD, NO. 4-40 X 5/16	
25	250-180		BUMPER, RUBBER, SELF ADHESIVE	

B

ITEM NO.	AMPEX PART NO.	REFERENCE NUMBER	DESCRIPTION	JEDEC NO. OR MFR. PART NO.
	4050849-02		REMOTE CONTROL CABLE ASSEMBLY (NHA 4010264)	
1	4260574-01	TB-1	BRACKET, ACCESSORY CONNECTOR COVER; ACCESSORY CONNECTOR RESISTOR, CF, 47 OHM, 1/4W, 5% CONNECTOR, PCB, 56 PIN TERMINAL STRIP, 6 CONTACT TIE WRAP SCREW, CAP, SKT HEAD, NO. 4-40 X 0.250 SCREW, PAN HEAD, NO. 2-56 X 0.188 LG SCREW, SHEET METAL, NO. 6-20 X 0.125 NUT, NO. 2-56 WASHER, PLAIN, NO. 2 WASHER, LOCK, NO. 2 WASHER, LOCK, NO. 4	
2	4290958-01			
5	066-938			
7	143-804			
8	180-223			
9	302-379			
11	470-008			
12	472-451			
13	476-998			
14	492-007			
16	501-084			
17	502-001			
18	502-002			

A

SHEET 1 OF 1



ITEM NO.	AMPEX PART NO.	REFERENCE NUMBER	DESCRIPTION	JEDEC NO. OR MFR. PART NO.
	4020432-01		TWO-WAY EXTENSION CONNECTOR ASSEMBLY (NHA 4010260, 4010261, 4010262)	
2	4290960-01		COVER, ACCESSORY CONNEC EXTENSION	
4	4260574-01		BRACKET, ACCESSORY CONNECTOR	
5	4290958-01		COVER, ACCESSORY CONNECTOR	
6	143-804		CONNECTOR, PCB, 56 PIN	
7	302-379		TIE-WRAP	
11	470-008		SCREW, CAP, SKT HEAD, NO. 4-40 X 0.250	
12	476-998		SCREW, SHEET METAL, NO. 6-20 X 0.25	
13	502-002		WASHER, LOCK, NO. 4	
14	471-060		SCREW, PAN HEAD, NO. 4-40 X 0.250	
18	6000035-02		LABEL, IDENTIFICATION	

SHEET 1 OF 1

