

Control unit schematic
 Figure 4-1
 Page 4-3

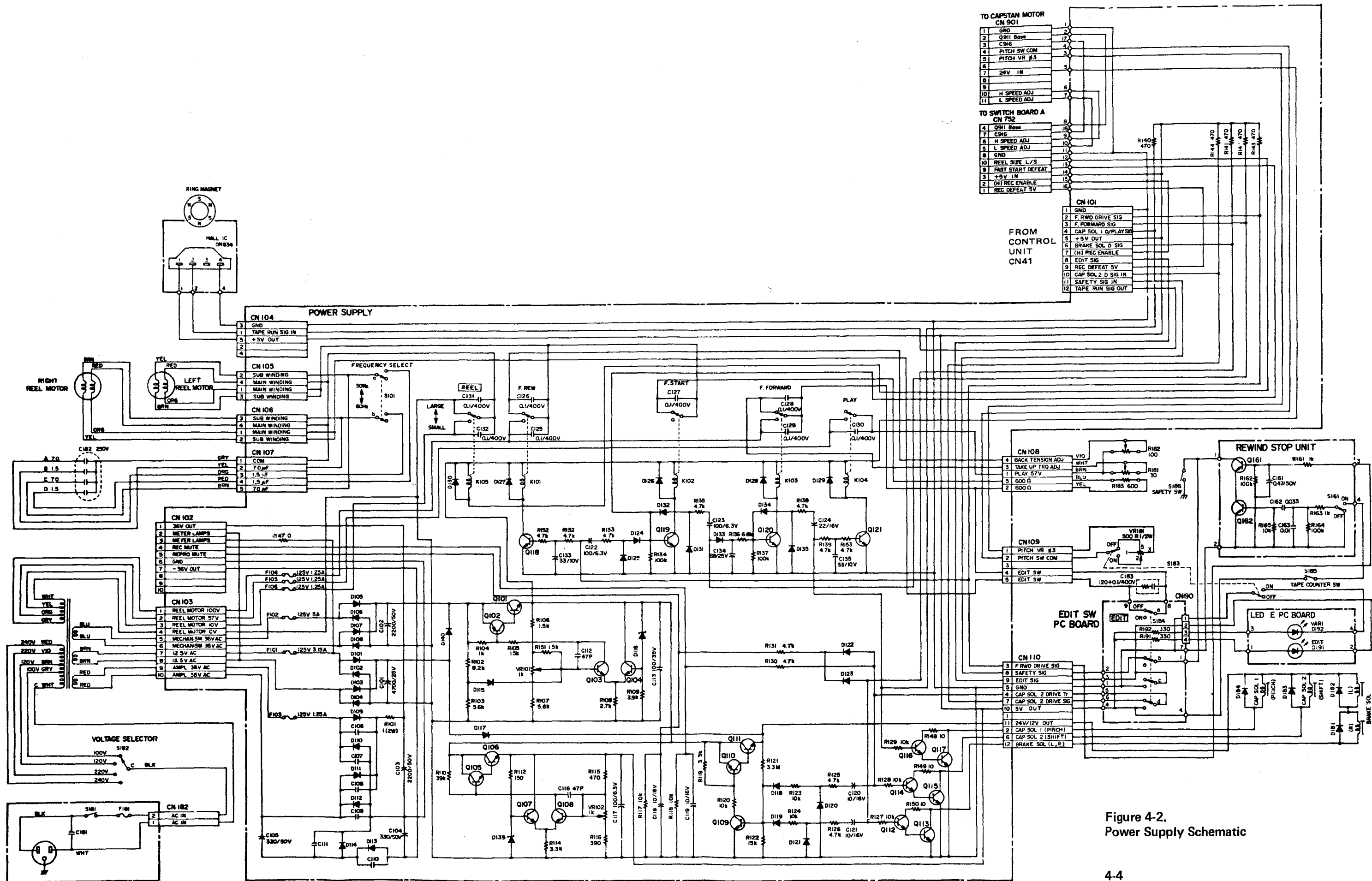
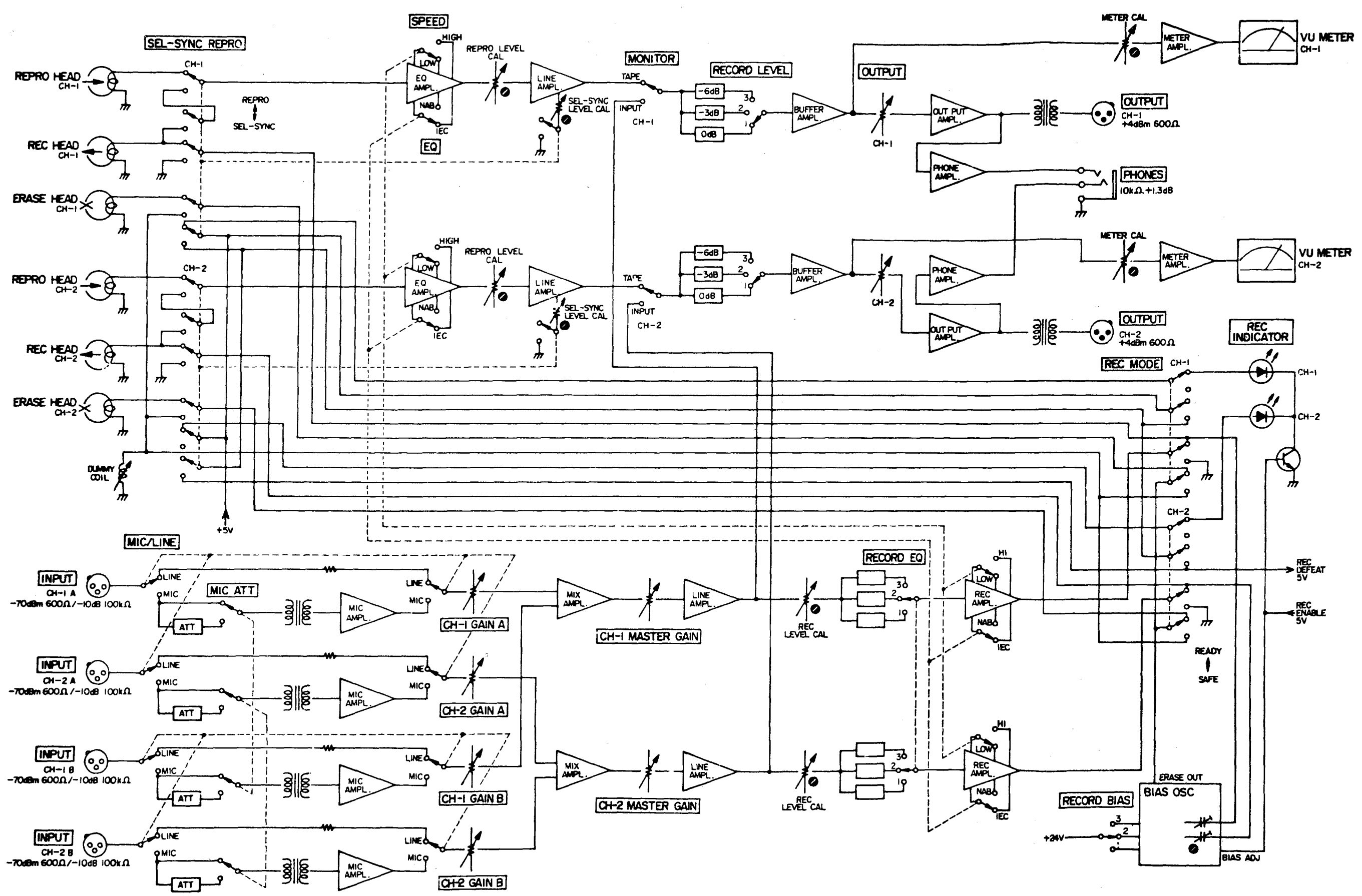


Figure 4-2.
Power Supply Schematic



4-11 / Figure 4.5 Signal System Block Diagram

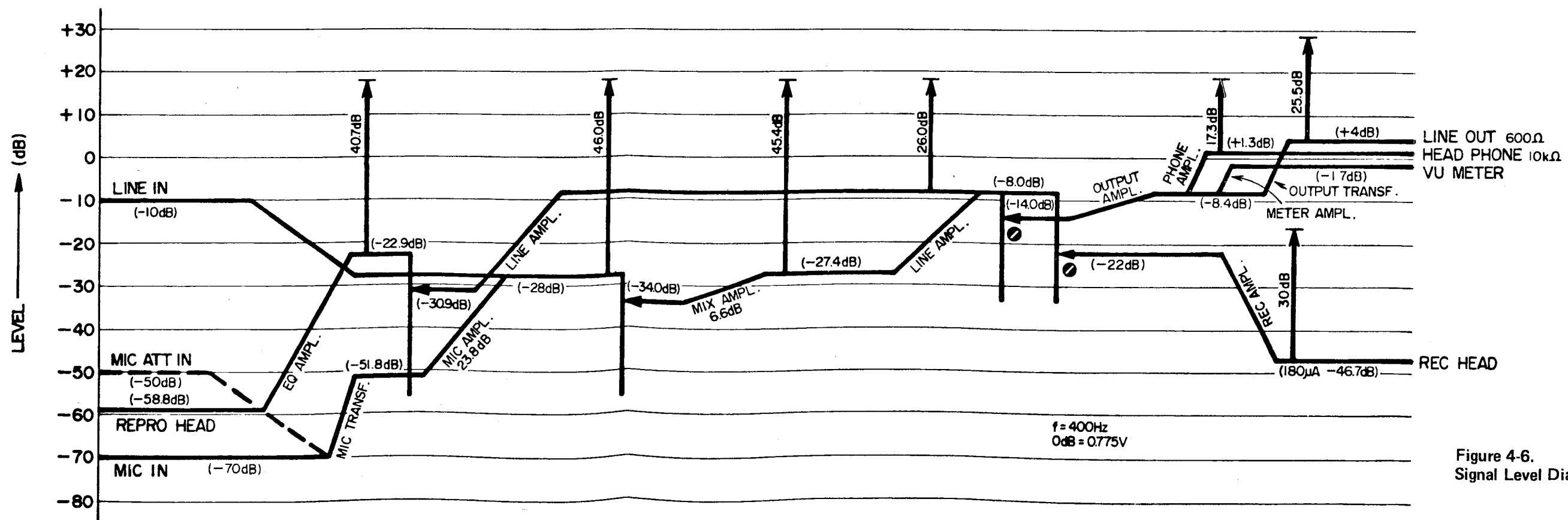
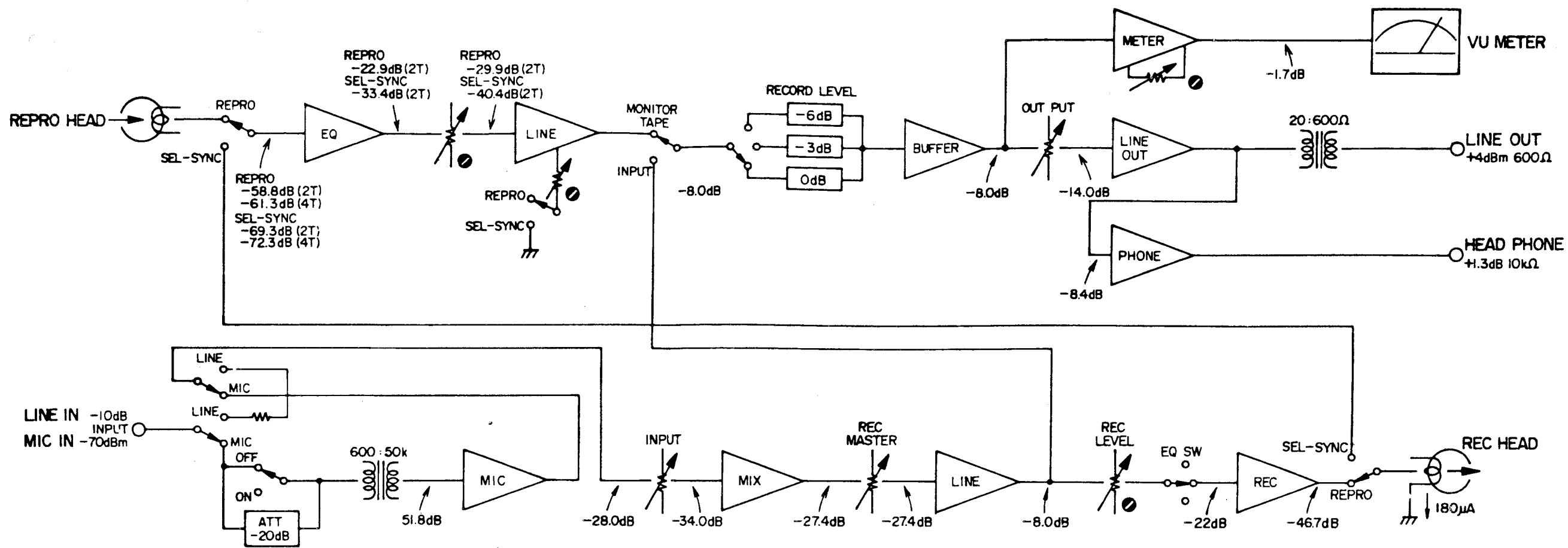
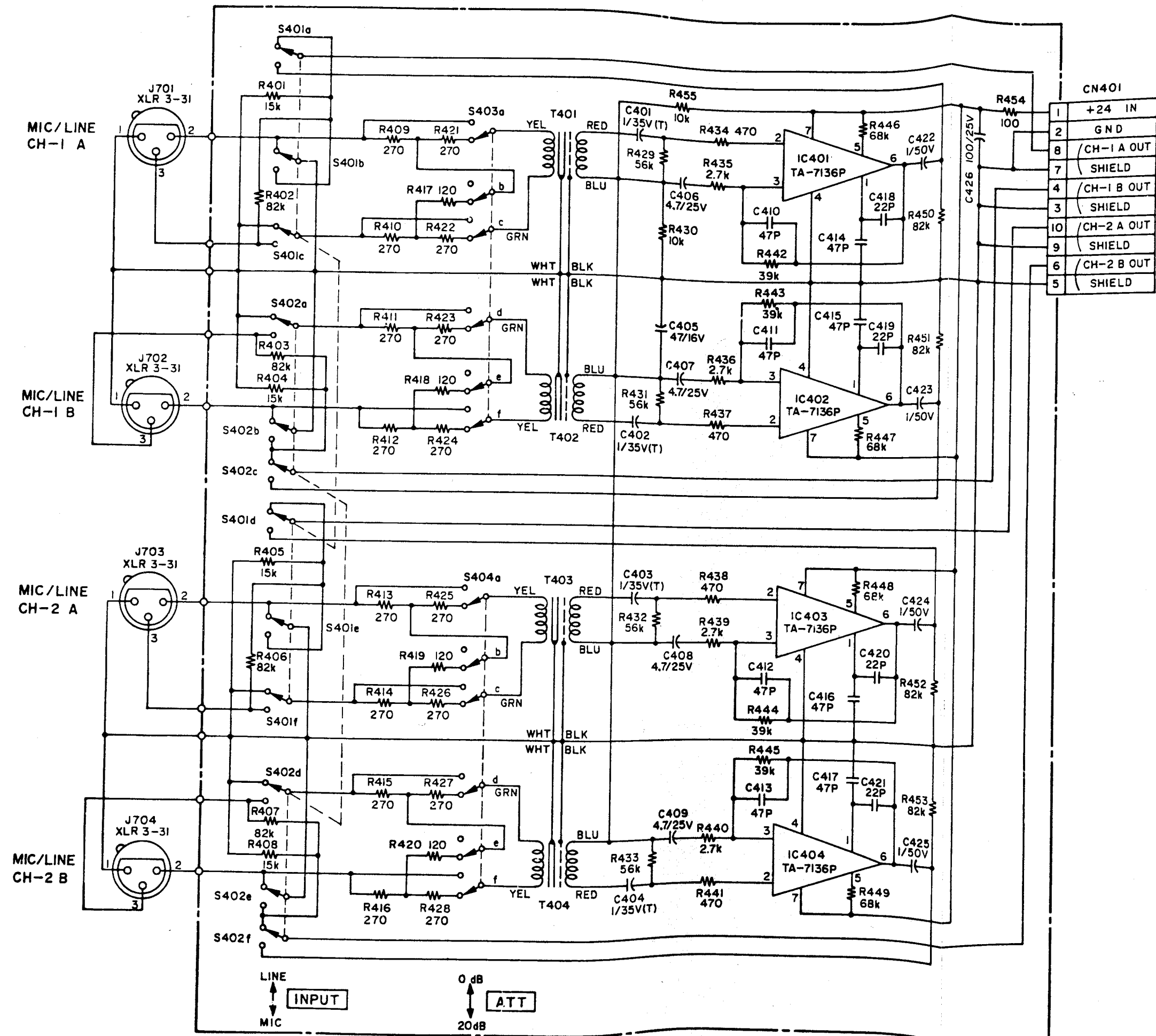


Figure 4-6.
Signal Level Diagram



CN401	
1	+24 IN
2	GND
8	CH-1 A OUT
7	SHIELD
4	CH-1 B OUT
3	SHIELD
10	CH-2 A OUT
9	SHIELD
6	CH-2 B OUT
5	SHIELD

Figure 4-11.
Input Selector PWA Schematic

NOTE: THE PIN NUMBERS WITH THE CONNECTORS (CN) NO. ARE FOR CHANNEL 1. THE NUMBERS IN PARENTHESES ARE FOR CHANNEL 2 (IN PARENTHESES).

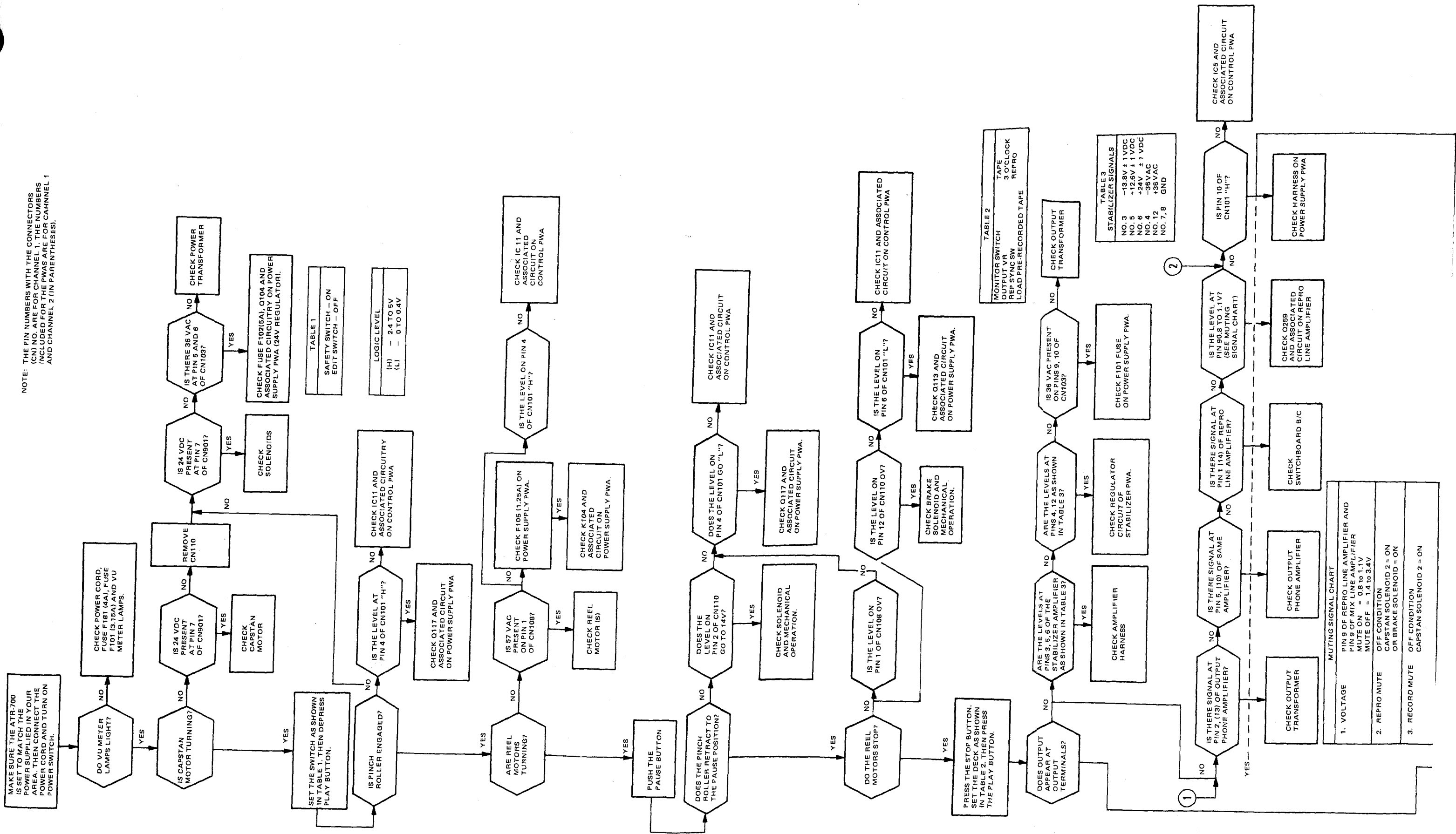


Figure 5-29
 Troubleshooting flow
 chart part I
 5-37/5-38

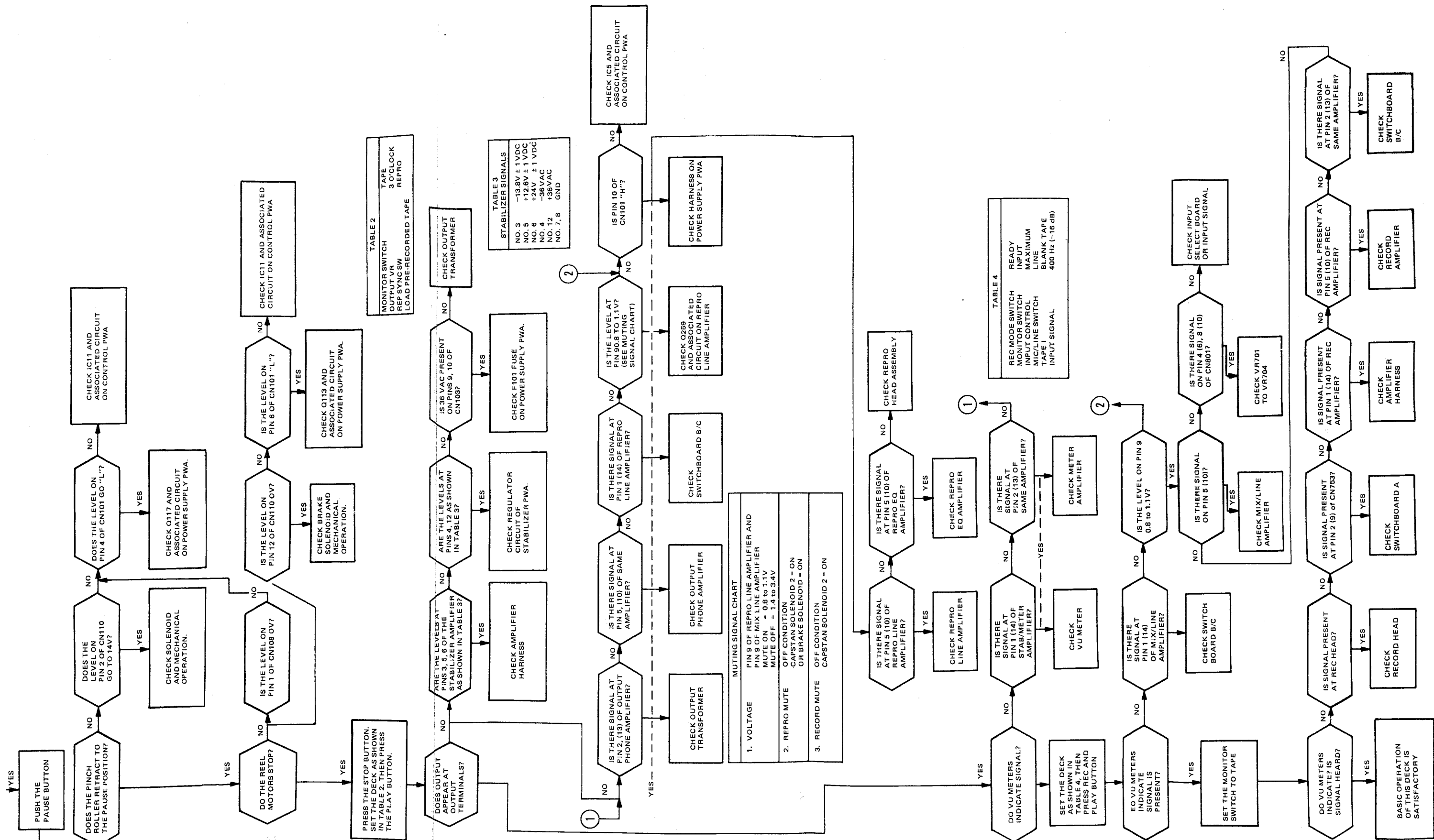
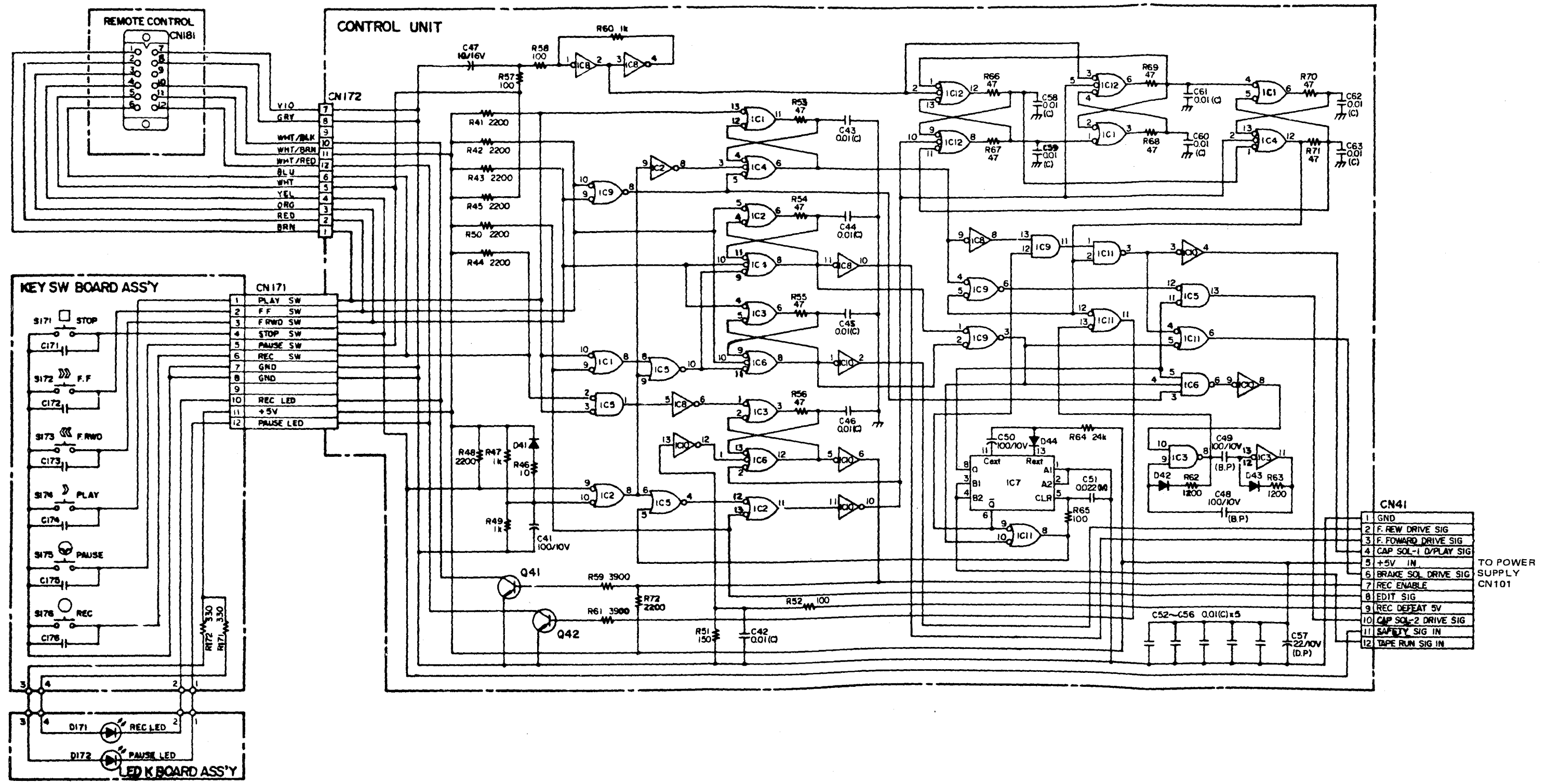


Figure 5-29. Troubleshooting Flow Chart

Part II

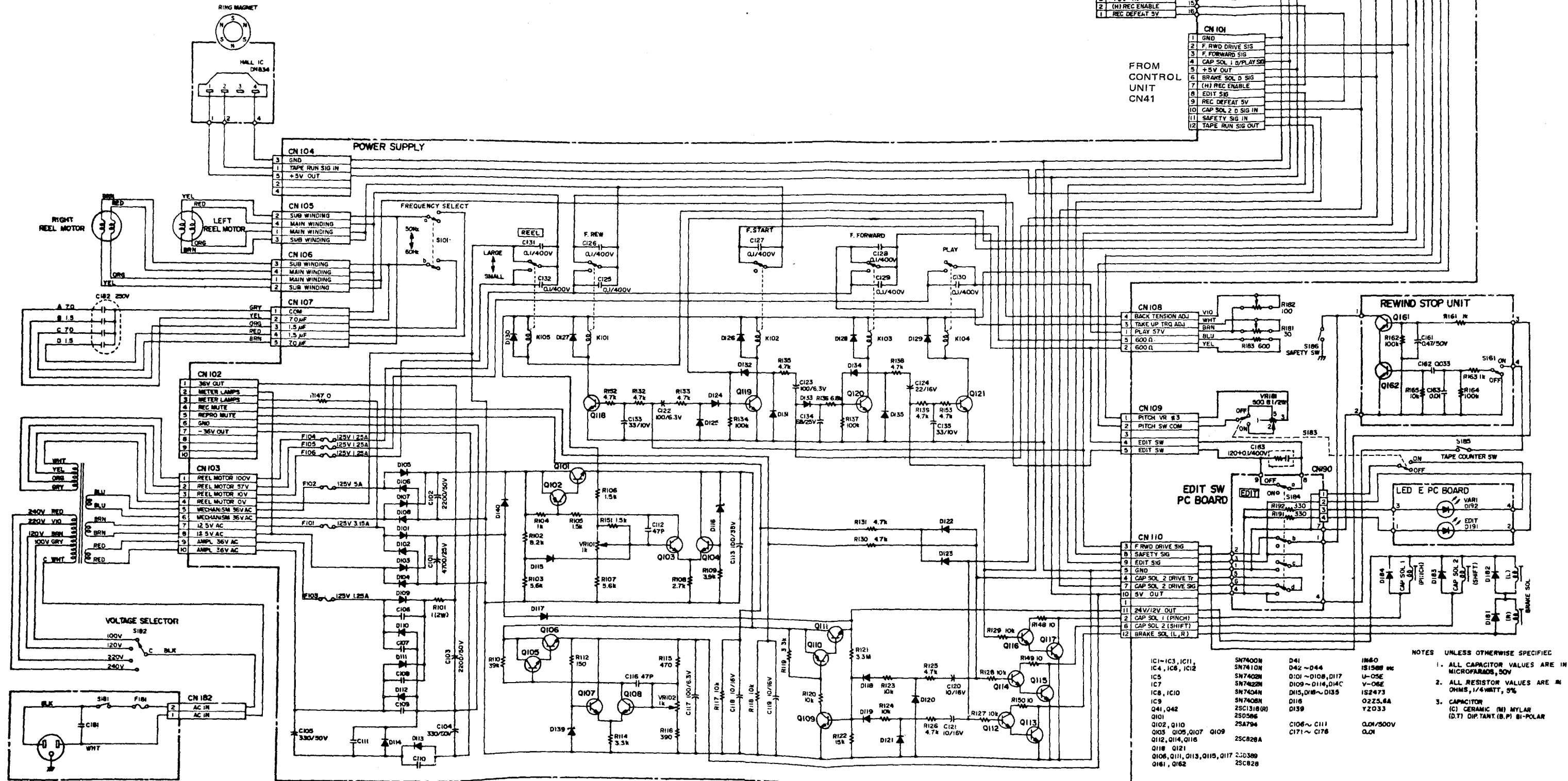
DF 1



Schematic No. 1418946 Control Unit, Power Supply, Rewind Stop Unit, and Hall IC PWAs (Sheet 1 of 2)

Schematic No. 1418946

Control Unit, Power Supply, Rewind Stop Unit and Hall IC PWA's (Sheet 2 of 2)



TO CAPSTAN MOTOR
CN 901

1	GND
2	Q911 Base
3	C916
4	PITCH SW COM
5	PITCH VR #3
6	24V IN
7	H SPEED ADJ
8	L SPEED ADJ

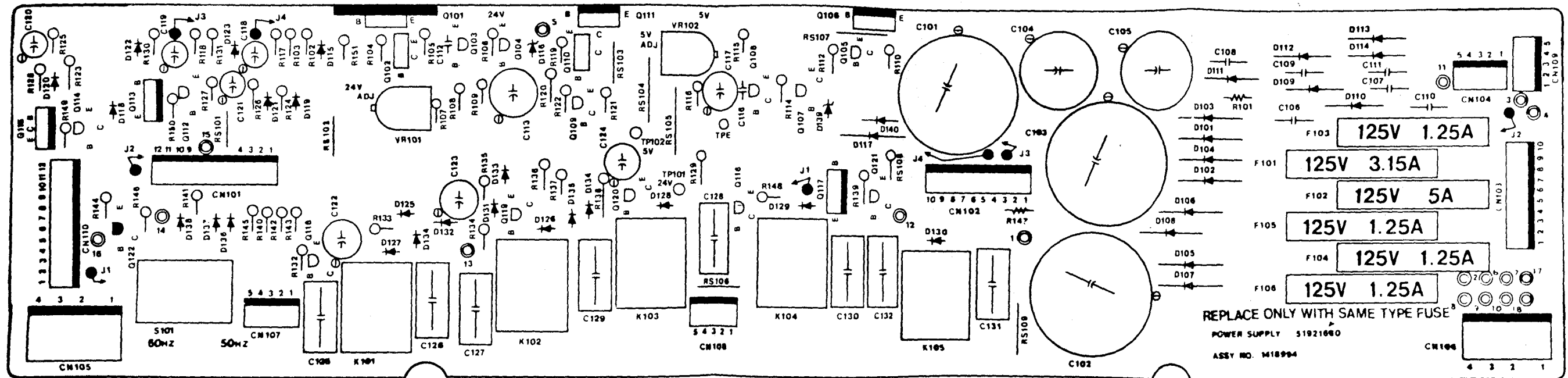
TO SWITCH BOARD A
CN 752

4	Q911 Base
7	C916
6	H SPEED ADJ
5	L SPEED ADJ
8	GND
10	REEL SIZE L/S
9	FAST START DEFEAT
3	+5V IN
2	(H) REC ENABLE
1	REC DEFEAT 5V

FROM CONTROL UNIT
CN 41

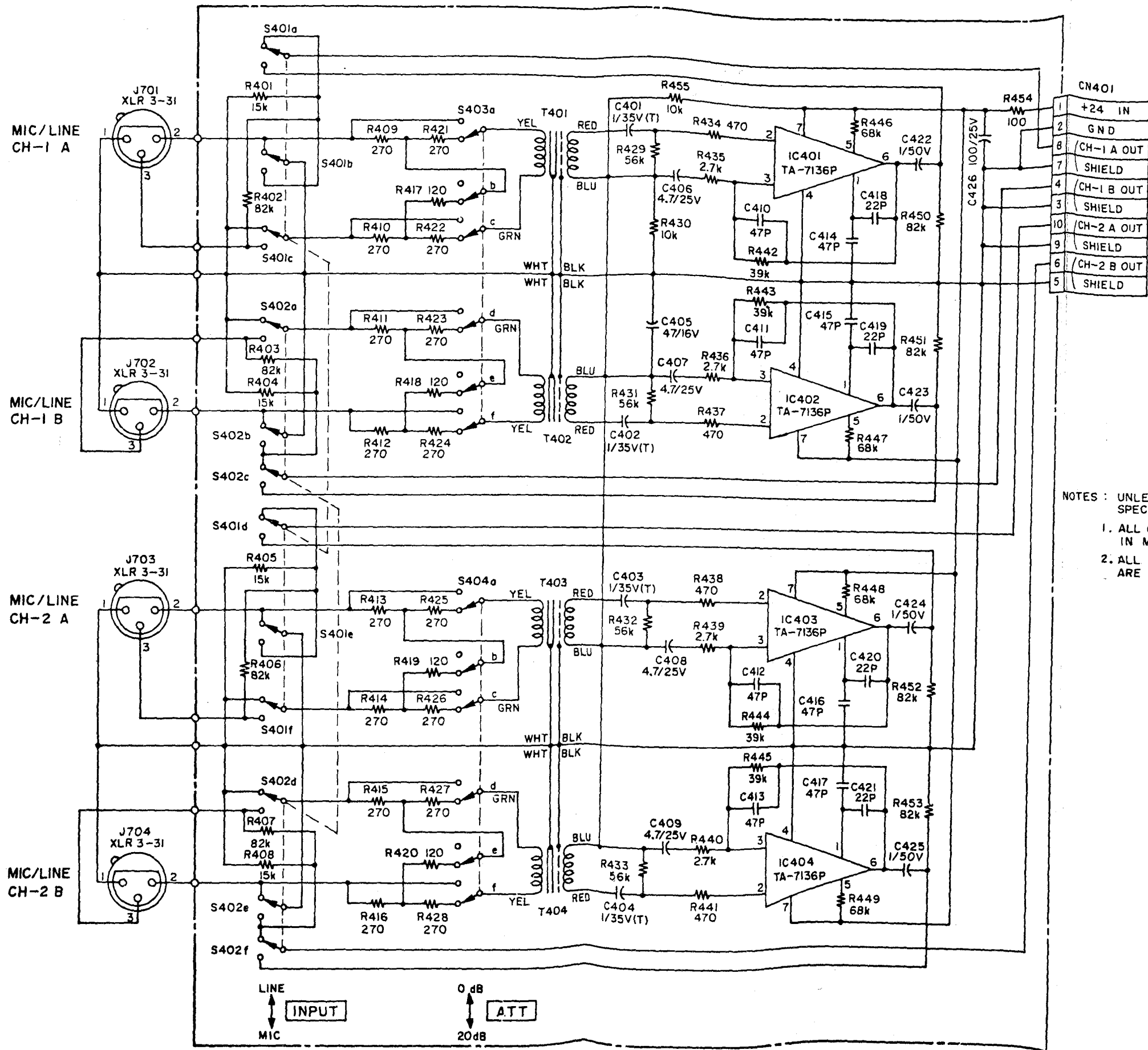
1	GND
2	F. RWD DRIVE SIG
3	F. FORWARD SIG
4	CAP SOL 1 D/PLAY SIG
5	+5V OUT
6	BRAKE SOL D SIG
7	(H) REC ENABLE
8	EDIT SIG
9	REC DEFEAT 5V
10	CAP SOL 2 D SIG IN
11	SAFETY SIG IN
12	TAPE RUN SIG OUT

- NOTES UNLESS OTHERWISE SPECIFIED
- ALL CAPACITOR VALUES ARE IN MICROFARADS, 50V
 - ALL RESISTOR VALUES ARE IN OHMS, 1/4 WATT, 5%
 - CAPACITOR (C) CERAMIC (M) MYLAR (D.T) DIP TANT (B.P) BI-POLAR
- | | | | |
|---|---|--|---|
| IC1-IC3, IC11, IC4, IC8, IC12 | SN7400N
SN7410N
SN7402N
SN74022N
SN7404N
SN7408N | D41
D42 ~ D44
D101 ~ D108, D117
V-06E
D109 ~ D114, D14C
D115, D116 ~ D135 | 1N60
1S1588 MC
U-05E
V-06E
IS2473
O225.8A
Y2033 |
| IC9
Q41, Q42
Q101
Q102, Q110
Q103, Q105, Q107, Q109
Q112, Q114, Q115
Q116, Q121
Q106, Q111, Q113, Q115, Q117
Q161, Q162 | 2SC1318(R)
2SD596
2SA794
2SC828A
2SC399
2SC828 | D116
D119
C106 ~ C111
C171 ~ C176 | 0.01/500V
0.01 |



6-37

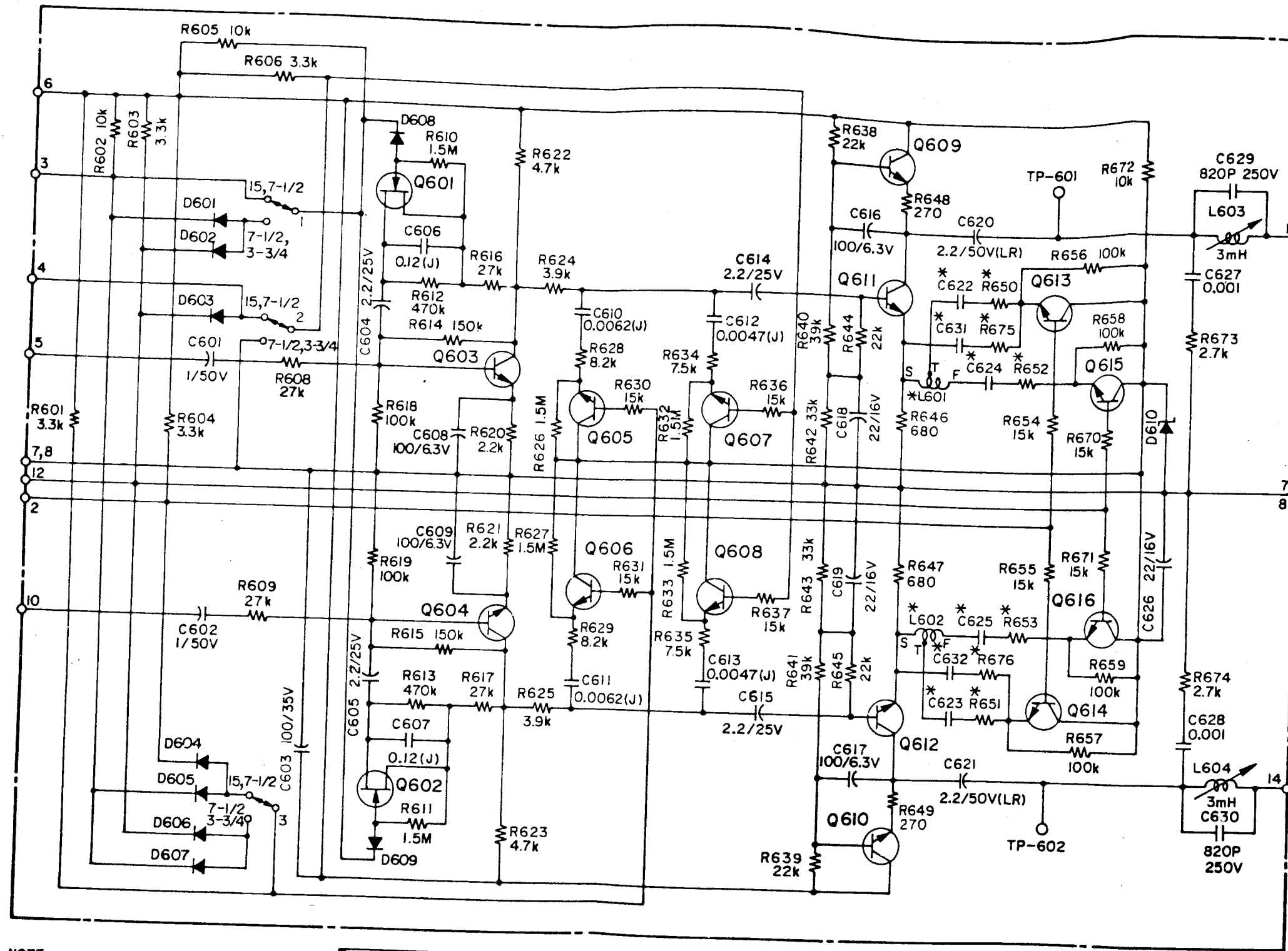
Assembly No. 1418943
Power Supply Unit PWA



- NOTES: UNLESS OTHERWISE SPECIFIED
1. ALL CAPACITOR VALUES ARE IN MICROFARADS, 50V
 2. ALL RESISTOR VALUES ARE IN OHMS, 1/4WATT, 5%

6-47/6-48

Schematic No. 1418966.
Input Select



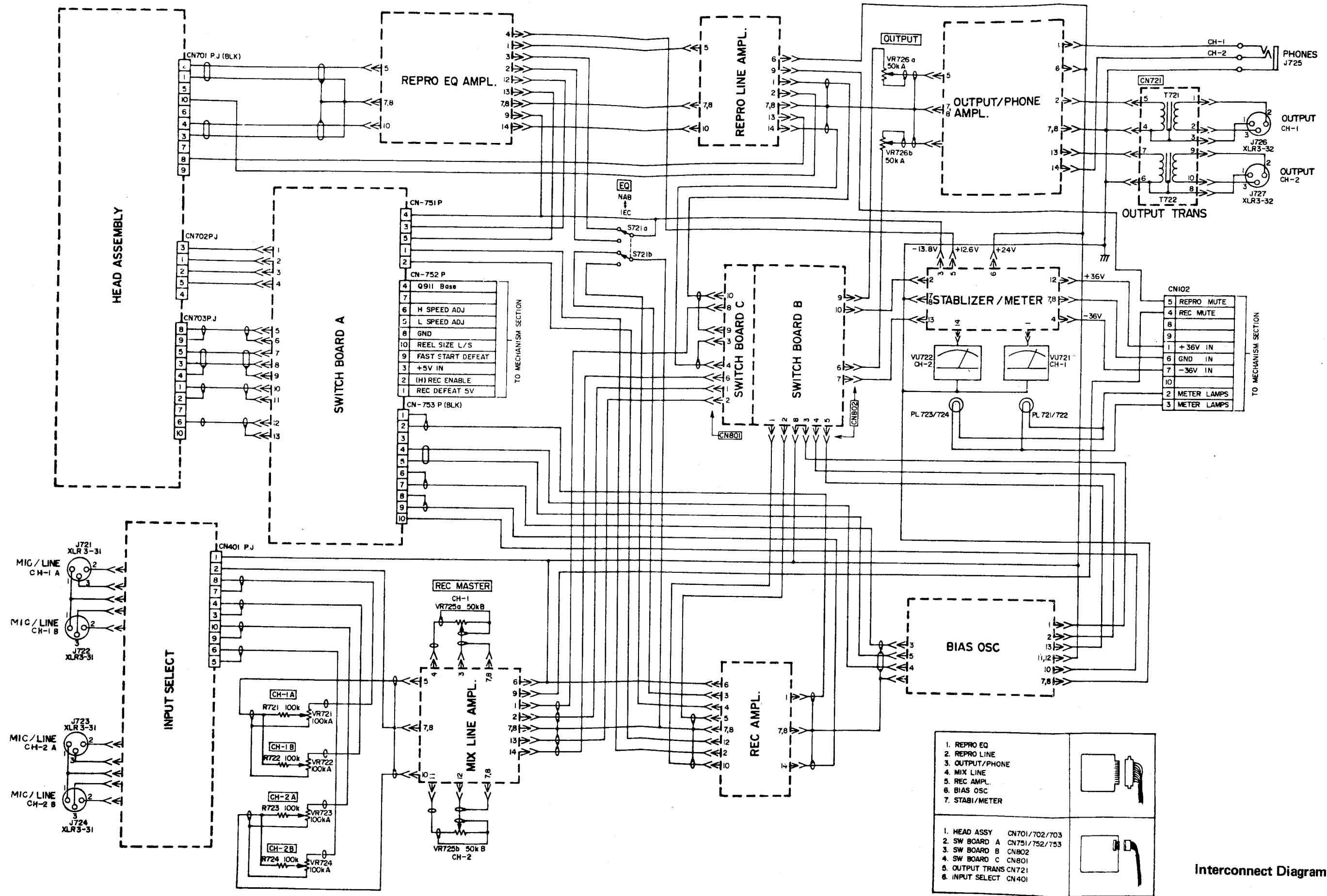
NOTE

- D601~D609 IS1588
- D610 02Z5.6A
- Q601, 602 2SK30A
- Q603, 604
Q609, 610
Q611, 612 2SC1000
- Q605, 606
Q607, 608
Q613, 614
Q615, 616 2SC828

SPEED	HIGH SPEED MODEL	LOW SPEED MODEL
* L601 . 602	2.4/4.2mH	1.5/2.4mH
R650 . 651	180	100
R652 . 653	470	180
R675 . 676	1.8k	
C622 . 623	0.018	0.039
C624 . 625	0.0047	0.015
C631 . 632	0.022	

NOTES: UNLESS OTHERWISE SPECIFIED

1. ALL CAPACITOR VALUES ARE IN MICROFARADS, 50V
2. ALL RESISTOR VALUES ARE IN OHMS, 1/4 WATT, 5%



- | | |
|-----------------|--|
| 1. REPRO EQ | |
| 2. REPRO LINE | |
| 3. OUTPUT/PHONE | |
| 4. MIX LINE | |
| 5. REC AMPL. | |
| 6. BIAS OSC | |
| 7. STABI/METER | |
-
- | | |
|-----------------|---------------|
| 1. HEAD ASSY | CN701/702/703 |
| 2. SW BOARD A | CN751/752/753 |
| 3. SW BOARD B | CN802 |
| 4. SW BOARD C | CN801 |
| 5. OUTPUT TRANS | CN721 |
| 6. INPUT SELECT | CN401 |

Interconnect Diagram No. 1418948.
ATR-700