

PRODUCT DATA BULLETIN

AMPEX

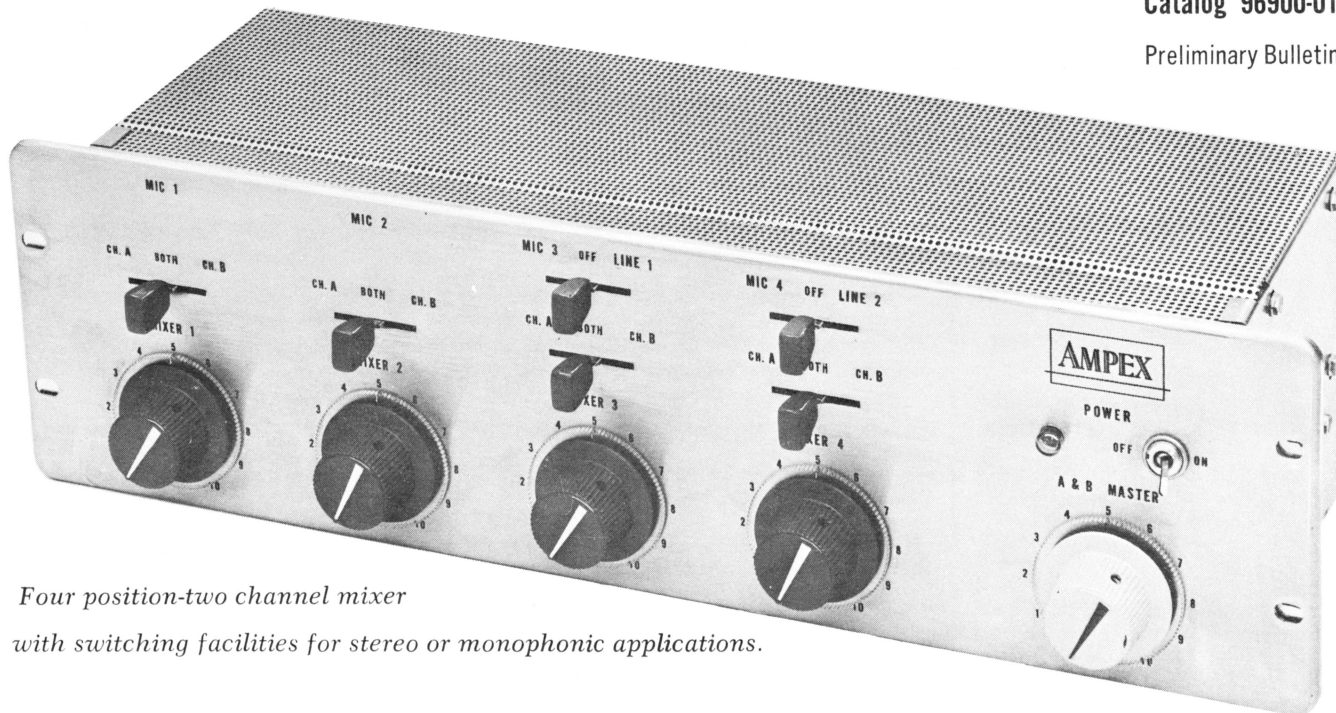
AMPEX PROFESSIONAL PRODUCTS COMPANY AUDIO PRODUCTS DIVISION

MOST FLEXIBLE ADVANCED DESIGN MIXER

Model MX10

Catalog 96900-01

Preliminary Bulletin



*Four position-two channel mixer
with switching facilities for stereo or monophonic applications.*

GENERAL DESCRIPTION

A compact four position, two channel mixer with unique switching facilities found only in expensive custom designed studio consoles. Special coupling connectors are provided to give additional facilities where up to four MX10's can be coupled together with overall Master Gain controlled by the last unit in the system. Each mixer position has a reset indicator which permits return to a previous level and is supplied with a key switch which feeds channels "A" or "B" or "BOTH". In the latter position, this permits feeding the solo mike (as in the case of stereo recording) equally to both left and right channels while other mikes are feeding either the left or right channels. Above mixer positions No. 3 and No. 4 are two additional keys to select mike or line input from appropriate receptacles located on the back of the unit. All switching regardless of combination maintains proper balance and isolation between channels.

The MX10 operates from four low impedance microphone inputs and two unbalanced line inputs: (balanced input when using No. 96134-01 plug-in transformer), feeding two independent program amplifiers controlled by a two gang master gain control. Advanced design amplifier circuitry permits very high input and output levels without distortion. Power supply is self-contained and all heaters are fed by a dc supply. Conservatively rated components maintain quality and long operating life without need for service or repair.

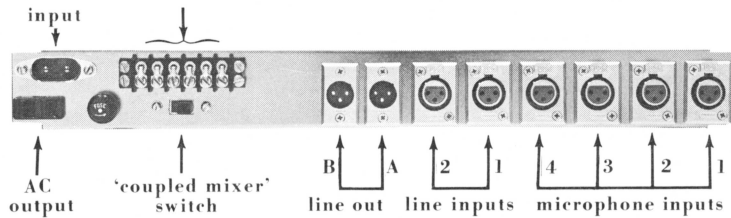
Although designed primarily to feed Ampex Professional recorders, this unit can be used with other audio recorders and sound equipment such as speech input systems, public address or sound systems where the unique control facilities of the MX10 make it a flexible audio tool.

FEATURES

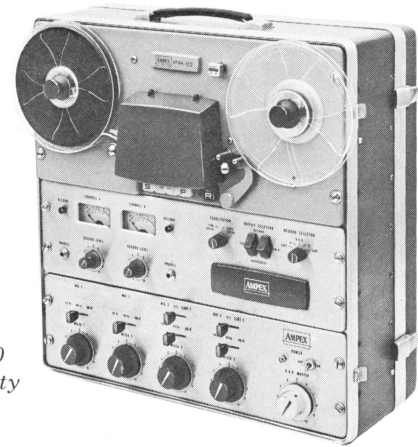
1. Ability to be strapped with other like mixers to handle up to sixteen microphones or eight lines still retaining all of its unique switching facilities. A "coupled mixer" switch lifts the master gain out of the circuit so that the last mixer in the system controls the overall gain of both channels.
2. Internal gain-set on each program amplifier

allows ± 10 db level set for balance adjustment.

3. Premium quality tubes are employed for low noise stable operation. Four calibrated potentiometers are available at extra cost.
4. Matches design and appearance of PR series Ampex recorders.



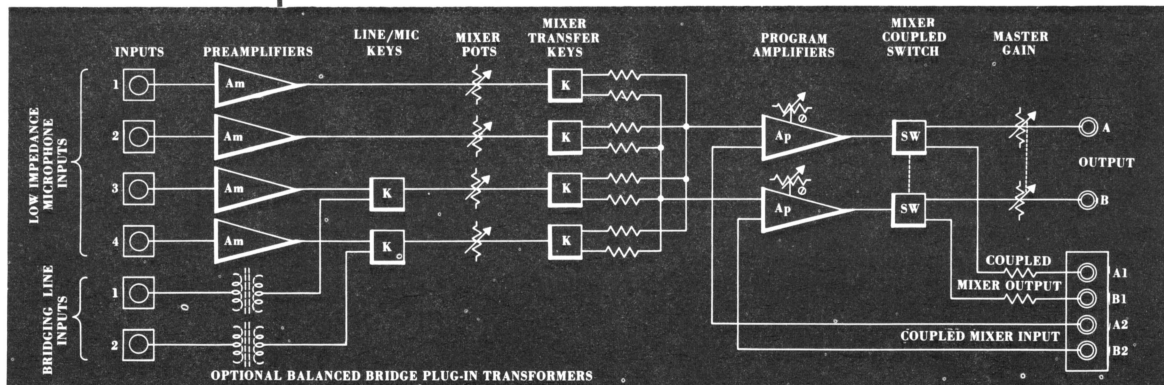
Terminal portion rear of chassis.



The PR-10-2 with the MX-10
A Complete Recording Facility

SPECIFICATIONS

INPUTS:	Four microphone level inputs and two line high level inputs incorporating high level mixing.
INPUT IMPEDANCE:	Microphone; 200 ohm non-terminating; line: 100 k ohms bridging. (With optional plug-in balanced line transformer 20,000 ohms.)
OUTPUTS:	Two, 1 volt normal; 30 volts maximum unbalanced to feed bridging input of recorder.
GAIN:	With internal and external control settings at maximum, -67 dbm on any mic channel or -27 dbm on any line channel will produce 1 volt output. 1 volt input to the PR 10 electronics corresponds to 0 vu.
FREQUENCY RESPONSE:	±1 db 40 to 15,000 cycles
NOISE:	65 db below signal for inputs of -55 dbm. This represents a noise equivalent to an input signal of -120 dbm.
DISTORTION:	At 500 cycles, less than 0.3% with -43 dbm mic input level, 1v output level; less than 1% with -29 dbm mic input level, 25v output level.
CROSSTALK REJECTION:	65 db at 500 cycles, 50 db at 10 kc.
CONTROLS:	Four AB pots (calibrated step type available on special order); master gain (two gang) pot; key switches for selection of mic or line on two input positions; key switches for channel A, both or Channel B on each mixer position; AC line switch; mixer coupling switch (located on the back of the chassis).
CONNECTORS:	Rugged "XL" type on all inputs and outputs except mixer coupling strip.
POWER INPUT:	105-125 volts, 50-60 cycles, 30 watts.
TUBES:	Six EF86's and one 12AU7.
DIMENSION:	5-7/32" H, 19" L, 5-3/16" D (for 5-1/4" rack space or portable case).
FINISH:	Brushed stainless steel with grey knobs.
ACCESSORIES:	Plug-in balanced bridge line input transformer (Cat. No. 96134-01).
PRICE:	Unmounted \$395.00 net.



AMPEX

Offices and Representatives in
Principal Cities Throughout the World

MX 10 Ampex Mixer Block Diagram

Audio Products Division
AMPEX PROFESSIONAL PRODUCTS COMPANY
934 CHARTER STREET • REDWOOD CITY, CALIFORNIA