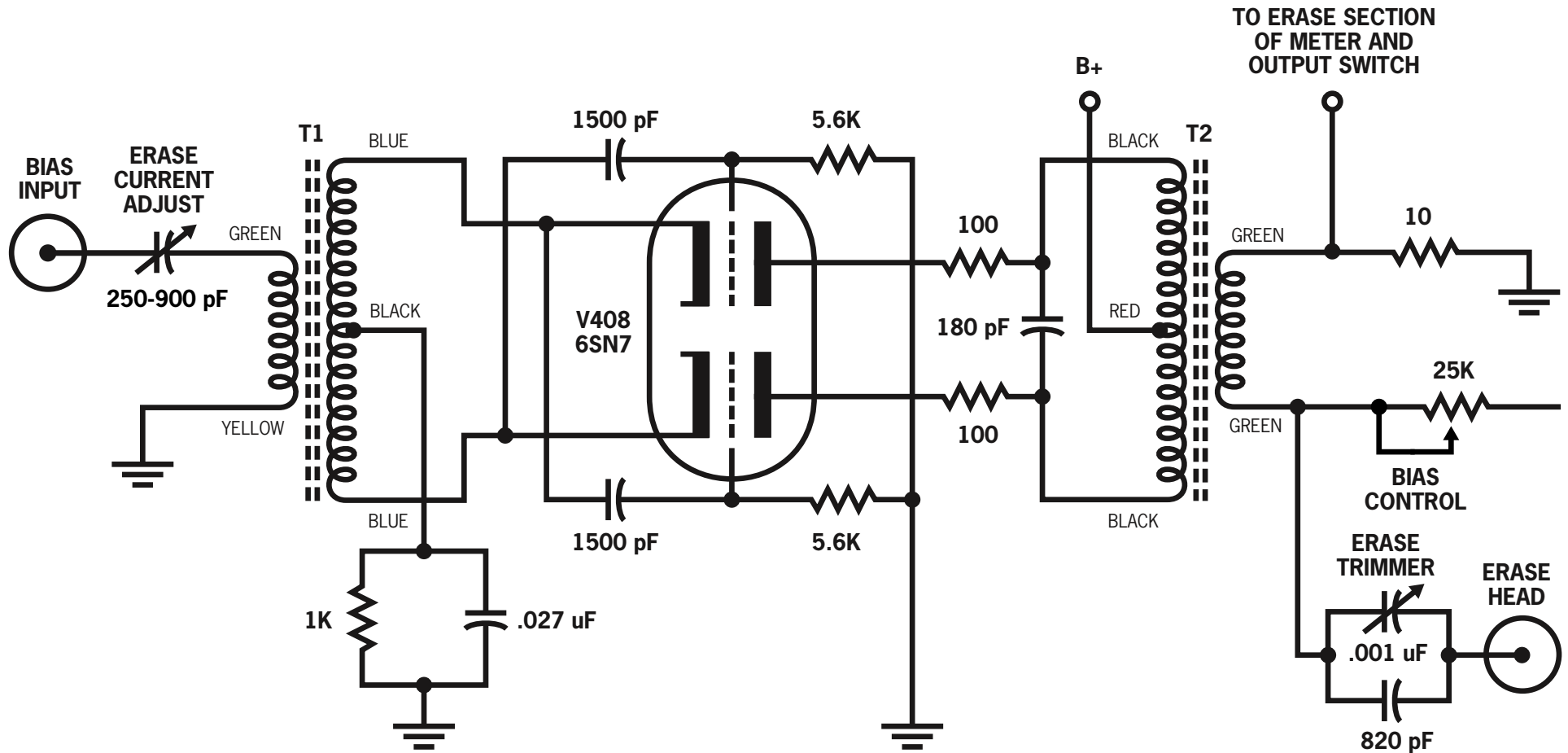


# Bias-Buffer Amplifier from late production Ampex 5701 (350) multitrack slave

This schematic was generated by David Dintenfass of Full-Track Productions and drawn by Charles Bork based on sample unit serial no. 397, catalog no. 5701-0. Additional markings include rubber stamped catalog no. 5701R4-161.

REVISION 3 • MARCH 5, 2006



**FULL-TRACK**  
PRODUCTIONS

**T1** | Pulse Engineering Toroidal Transformer  
Model PE-2505 / B30044  
1:1.4 overall turns ratio (1:0.73 per section)  
Primary: 23 ohms dc, 11 mH  
Secondary (CT): 40 ohms dc, 23.5 mH  
Secondary (per section): 20 ohms dc, 8.5 mH

**T2** | Pulse Engineering Toroidal Transformer  
Model PE-13-1011  
10:1 turns ratio  
Primary: 7.9 ohms dc, 10 mH  
Secondary: 0.9 ohms dc, 100 uH