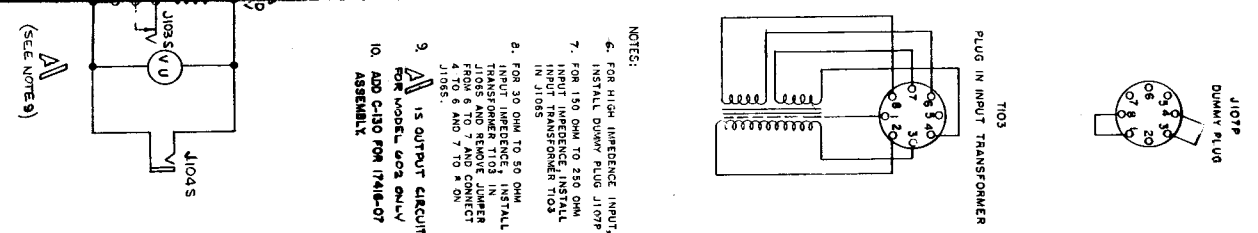
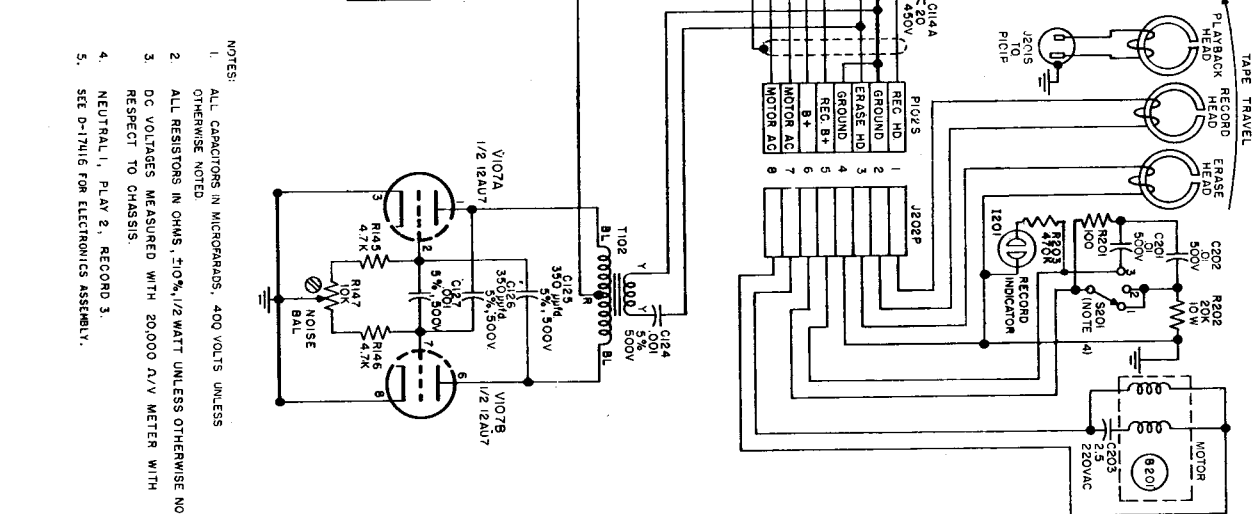
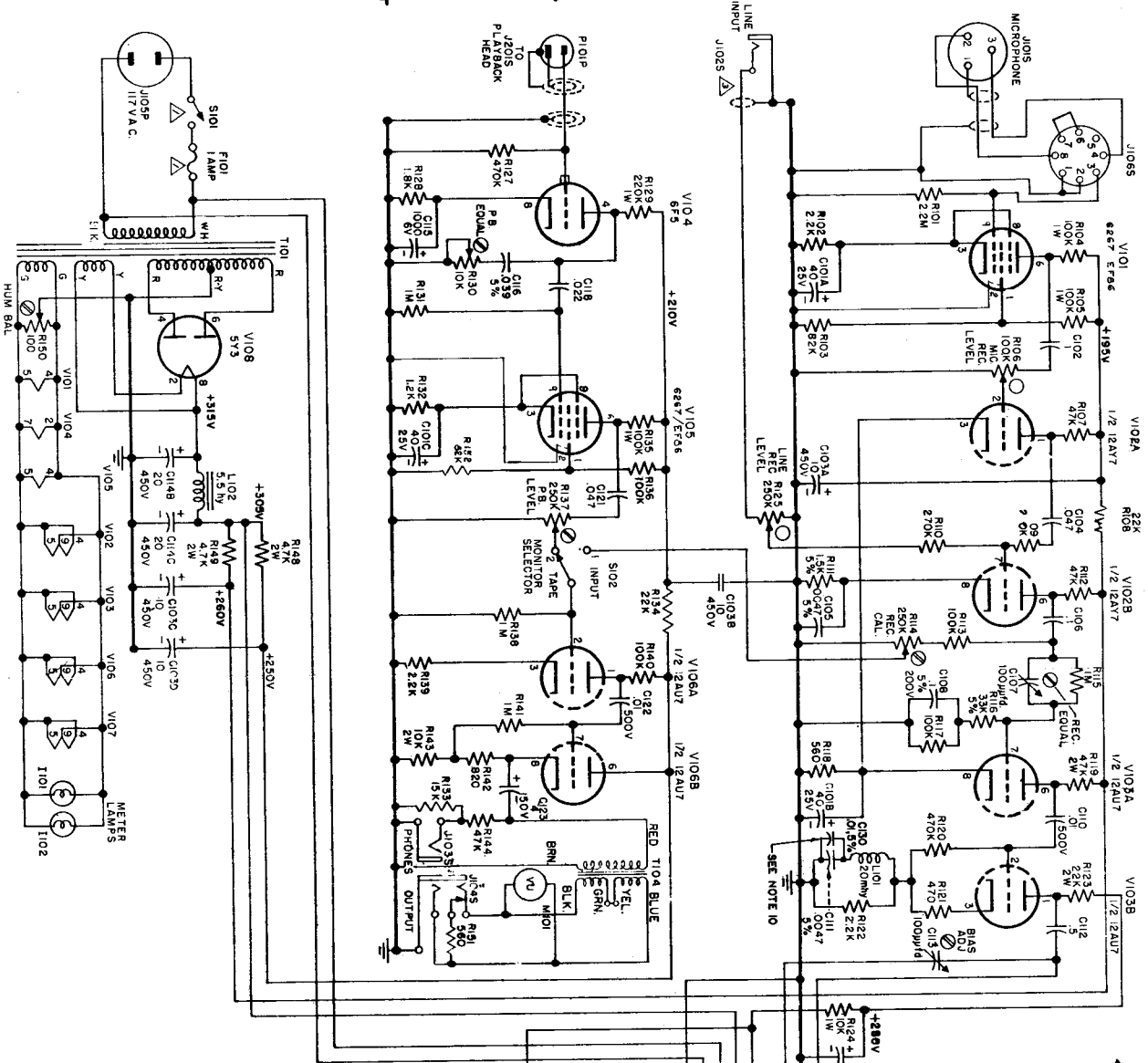


NOTE:
 AMPLEX MINOR HARDWARE KIT, CAT. NO. 7802
 CONTAINS ASSORTMENT OF WASHERS AND
 OTHER SMALL HARDWARE SHOWN HERE BUT
 NOT NUMBERED.



- NOTES:
- FOR HIGH IMPEDENCE INPUT, INSTALL DUMMY PLUG J107P
 - FOR 150 OHM TO 250 OHM INPUT IMPEDENCE, INSTALL INPUT TRANSFORMER T103 IN J108S
 - FOR 30 OHM TO 50 OHM INPUT IMPEDENCE, INSTALL TRANSFORMER REMOVE JUMPER FROM 6 TO 7 AND CONNECT 4 TO 6 AND 7 TO 8 ON J108S.
 - IS OUTPUT CIRCUIT FOR MODEL 609 ONLY
 - ADD C-130 FOR 17418-07 ASSEMBLY



- NOTES:
- ALL CAPACITORS IN MICROFARADS, 400 VOLTS UNLESS OTHERWISE NOTED
 - ALL RESISTORS IN OHMS, 10%, 1/2 WATT UNLESS OTHERWISE NOTED
 - DC VOLTAGES MEASURED WITH 20,000 Ω/V METER WITH RESPECT TO CHASSIS.
 - NEUTRAL 1, PLAY 2, RECORD 3.
 - SEE D-17116 FOR ELECTRONICS ASSEMBLY.

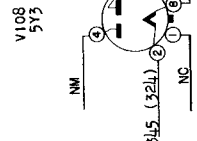
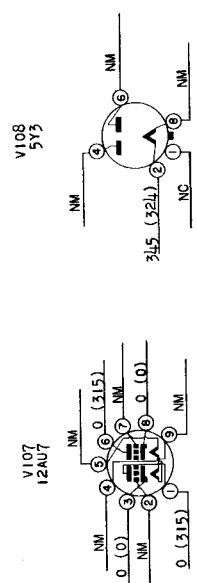
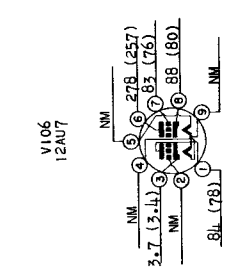
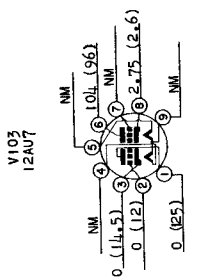
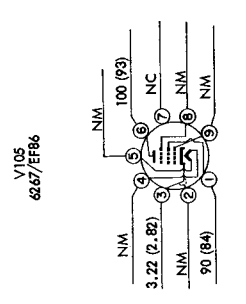
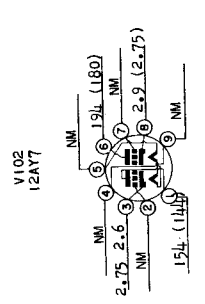
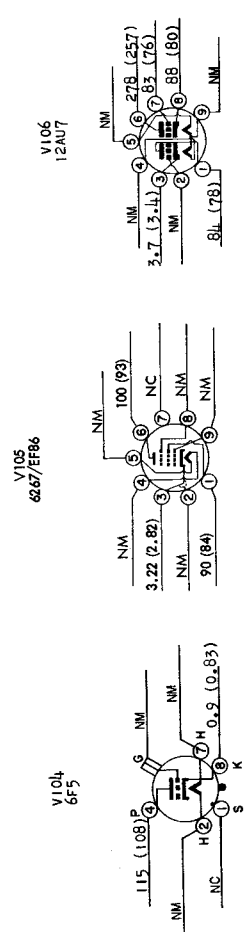
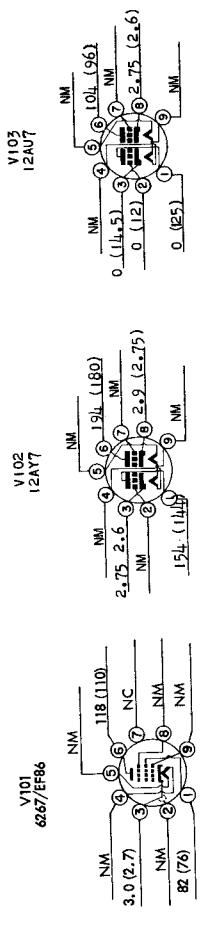
Fig. 5-3. Schematic

ation ways To ng in-

601.

Ampex Catalog Number

6201	MS-24-G-12N	*
6202-1	PW-4B-25-149X	*
421-029	PW-4B-31-4	*
6205	MS-34-4-4N	*
6211-1		
6203		*
9482		*
431-006		*
6221		*
401-005		*
400-004		*
6227-1		*
6136		*
6215		*
6275		*
6277		*
6278		*
6279-1		*



- NOTES:
1. ALL READINGS MEASURED TO GROUND WITH 20,000 OHM PER VOLT METER.
 2. INPUT VOLTAGE 117 VAC.
 3. UPPER READINGS VOLTAGE, FIRST READING REPRODUCE MODE, SECOND READING RECORD MODE.
 4. NM MEANS NOT MEASURED. NC MEANS NOT CONNECTED.

C-122
4-WRS
4-50
10K

VI. Parts List

The following parts list provides all information necessary for ordering replacement parts. Always use Ampex Catalog numbers when ordering parts. To expedite processing, always include the following information in placing parts orders:

- A. Model Number
- B. Serial Number
- C. Ampex Catalog Number of Part
- D. Part Description

EXAMPLE:

Spring, Clutch "U". No. 6246, for Model 601.
Serial No. 6D0042.

Reference Symbol	Description	Ampex Catalog Number
83	Tape Guide Assembly	6201
85	Bar, Tape Guide	6202-1
84	Cap, Tape Guide	421-029
	Ball Bearing	MS-24-6-12N *
	Machine Screw, Phillips Hd., 6-32 x 3/4	PW-4B-25-149X *
	Shim Washer, .149 ID x 5/16 OD x .025 thk, brass	PW-4B-31-4 *
	Shim Washer, .149 ID x 5/16 OD x .031 thk, brass	
78	Turntable	6205
78	Machine Screw, Flat Head, 4-40 x 1/4	MS-34-4-4N *
79	Capstan Idler Assembly, with Oilite bearing	6211-1
80	Cap, Capstan Idler	6203
	Cambric Washer, .24 ID x 7/16 OD x .010 thk	9482 *
	Hairpin Retainer for 1/4" shaft	431-006 *
75	Link, Turntable Pivot	6221
	Cotter Pin, 1/16 x 1/2"	401-005 *
	Clevis Pin, 1/8 x 11/32"	400-004 *
	Sub-Plate Assembly	6227-1
10	Spring, Rewind Idler	6136 *
11	Spring, Release Lever	6215 *
1	Sub-Plate Casting	6275
13	Slide Lever, Brake Actuator	6277
14	Release Lever, Play Mode Brake	6278
2	Brake Shock Relief Assembly	6279-1

Reference Symbol	Description	Ampex Catalog Number
7	Rewind Idler Assembly	6284-1
8	Idler Wheel with Oilite bearing	6285
	Guide Assembly	6288
	Cambric Washer, .24 ID x 7/16 OD x .010 thk	9482-1
	Plastic Retaining Ring	430-095
12	Actuator Spring, 11/64 dia x 1" long	9368
9	Spring Washer, Clevis Pin, 3/8 x 13/16	6314
	Switch Deck Assembly	9064-1-C
	Guard, Switch Top	9728
	Lamicoide Washer, Side Lever, 1/8 ID x 5/8 OD x 1/32 thk	6318
	Lockwasher, #4 Int. tooth	1W-2I-4C
	Screw, #4-40 x 1/2"	MS-12-4-8C
	Nut, #4-40 Hex	NU-1-4C
	Cotter Pin, 1/16" x 1/2" long	401-005
	Clevis Pin, 1/8 x 15-32" long	400-007
	Clevis Pin, 1/8 x 21/32" long	400-010
	Clevis Pin, 1/8 x 27/32" long	400-011
	Plain Washer, #10	PW-1-10C
	Hairpin Retainer for 3/16" shaft	431-002
	Resistor Barrier	9726
	Switch Guard, side	9727
53	Capstan Idler Arm Assembly	6235-1
51	Anchor	6224
52	Arm Sub-Assembly	6236-1
54	Roller	6237
	Spring, 21/64 x 1-27/64" long	6910
	Clevis Pin, 1/8 x 15/32" long	400-007
63	Motor Assembly	6219
62	Felt Washer, 15/64 ID x 3/4 OD x 1/16" thk	6239
61	Motor	6240
	Mounting Plate	6241-0
	Pulley, 60 cps, 7-1/2 ips	6241-1
	50 cps, 7-1/2 ips	6241-2
	60 cps, 3-3/4 ips	6241-3
	50 cps, 3-3/4 ips	MS-12-8-6C
	Screw, 8-32 x 3/8" long	SF-2X-8-6C
	Sem Fastener, 8-32 x 3/8" long	SL-1
	Soldering Lug	6934
65	Thrust Disc, Nylon, .312 dia x 1/16" thk	2871-3
68	Drive Belt, Nylon, 60 cps, 7-1/2 ips	2871-6
	50 cps, 7-1/2 ips	2871-7
	60 cps, 3-3/4 ips	2871-14
	50 cps, 3-3/4 ips	7531
66	Spring, Motor Thrust, 5/16 x 1-7/8" long	7532
71	Plunger, Motor Thrust	7582
	Spacer, Motor Mounting, 1/4 OD x .531 long	

Reference Symbol	Description	Ampex Catalog Number
60	Rubber Shockmount	7922
	Ball, 1/4" dia.	420-006
	Motor Mount Washer, C.R.S. 13/64 ID x 5/8 OD	2431
	Motor Mount Screw, Binder Hd., 10-24 x 7/8" long	MS-12-10-14C
	Socket Hd. Set Screw, 8-32 x 1/8 long, cup point	SS-2-8-2Y
20	Takeup Arm Assembly	6242-1
26	Spring, Conical, 1" dia. x 31/32" long	6137
	Control Spring, 17/32 x 13/16" long	6218
24	Thrust Washer, .015 spring steel, 1/4 ID x 3/8 OD	6223-1
29	Pivot Arm	6243
17	Hub, with Shaft	6244
19	Spring, Clutch "U"	6246
18	Clutch, Play Takeup	6247
15	Disc Assembly, with small felt	6248-1
16	Disc Assembly, with large felt	6248-2
28	Clutch Assembly, fast forward, with Oilite bearing	6251
27	Link, Turntable Control	6253
23	Washer, Spring Retaining, Cup	6254
25	Collar, Drum	6293
	Brake Assembly, Holdback	7974
	Use Replacement Holdback Brake Assembly Kit (Each kit contains two Brake Assemblies)	
21	Lamicoide Washer, 1/4 ID x 1/32" thk	186-1
22	Oilite Bearing	422-004
	Ball Bearing	421-019
	Cotter Pin, 1/16 x 1/2" long	401-005
	#4 Lockwasher, int. teeth	LW-21-4C
	Binding Hd. Machine Screw, 4-40 x 5/16" long	MS-12-4-5C
	Hex Nut, 4-40	NU-1-4C
	Socket Hd. Set Screw, 6-32 x 1/8" long	SS-2-6-2Y
	Spring, Turntable Height 11/32 x 9/32" long	6217
36	Rewind Arm Assembly	6255-1
38	Thrust Washer, .015 spring steel, 1/4 ID x 3/8 OD	6223-1
32	Pivot Arm	6243
31	Hub, with shaft	6244
35	Spring, Clutch "U"	6246
33	Disc Assembly, with large felt	6248-2
37	Clutch Assembly, rewind, with Oilite bearing	6251
	Collar, "Drum"	6293
	Collar, Spacer	6316
	Holdback Brake Assembly	7974
	Use Replacement Holdback Brake Assembly Kit (Each kit contains two #6320-1 Brake Assemblies)	
	Lamicoide Washer, 1/4 ID x 1/32" thk	186-1

* Items marked with the asterisk (*) are included in Kit #7802.

Reference Symbol	Description	Ampex Catalog Number
34	Ball Bearing	421-019 *
	#4 Lockwasher, Int. teeth	LW-2I-4C *
	Binder Hd. Machine Screw, 4-40 x 5/16" long	MS-12-4-5C *
	Hex Nut, 4-40	NU-1-4C *
	Socket Hd. Set Screw, 6-32 x 1/8" long	SS-2-6-2Y *
	Socket Hd. Set Screw, 8-32 x 3/16" long	SS-2-8-3Y *
64	Turntable Height Spring, 11/32 x 9/32" long	6217 *
45	Play Control Arm Assembly	6256-1
46	Actuator, Play	6257
47	Switch Mechanism	6261
	Roll Pin, 3/32 x 5/8" long	406-002
48	Rewind/Fast Forward Control Assembly	6259-1
49	Actuator, Rewind/Fast Forward	6258
50	Switch Mechanism	6261
	Roll Pin, 3/32 x 5/8" long	406-002
	Ball, 5/16" dia.	420-004
55/58	Belt Tensioning Idler Arm Assembly	6263-1
59	Spring, 11/64 dia. x 15/16" long	6216 *
41	Play Takeup Arm Assembly	6267-1
40	Spring	6138
39	Pulley Assembly, with Oilite bearing	6268
	Arm Assembly	6270
	Cambric Washer, .24 ID x 7/16 OD x .010 thk	9482 *
	Lamicoid Washer, 1/4 ID x 1/32" thk	186-1 *
	Hairpin Retainer for 1/4" shaft	431-006 *
69	Takeup Belt, Rubber "O" Ring	432-010 *
	Top Plate Assembly	6439-1
	Leaf Spring	6234
	Sem Screw	SF-2X-6-4C
	Neon Bulb	LA-14
	Brass Grommet	GR-40
	Tape Guide Post	7456
	Top Plate Casting, with grill & Oilite bearing	9065-1
	Motor Capacitor, Electrolytic, 2.5 mfd, 220V	CO-327
	KeP Nut, 8-32	KP-1-8C *
	Capacitor Mounting Screw, Binder Hd., 8-32 x 5/8"	MS-12-8-10C *
	Tube Socket, Contact, min.	TL-35
	Spring, Jones Plug Retainer	16340-1
	Head Cable Harness Assembly	9068-1
J202D	Jones Plug	PL-8P
R202	Resistor, 20 K ohm	043-080
	Solder Lug	SL-3

Reference Symbol	Description	Ampex Catalog Number
42	Capstan Assembly, with flywheel, shaft & ball	9353-1
81	Dust Seal, felt, 15/64 ID x 3/4 OD x 1/16" thk	6219 *
43	Felt Washer, 13/16 ID x 1-1/8 OD x 3/32" thk	6262 *
82	Cap, Dust Shield	6273
65	Thrust Dist, Nylon, .312 dia. x 1/16" thk	6934 *
	Cambric Washer, .24 ID x 7/16 OD x .010 thk	9482 *
70	Special Set Screw, Capstan Thrust, 3/8-27 x 1-1/8"	MS-32-27-1125 *
	Hex Jam Nut, 3/8-27	NU-16-616C *
90	Head Assembly, half track full track	6206-20
	Cover, Head Assembly	6206-10
86	Tape Guide, Head	6207-1
91	Shield, Head Assembly	6208-1
	Phillips Oval Hd. Machine Screw, 4-40 x 1-3/4"	6213
	Sem Fastener, 6-32 x 1/4", int. teeth	MS-26B-4-28N *
	Sem Fastener, 4-40 x 1/4", int. teeth	SF-2I-6-4C *
	Cork Washer, 1/8 ID x 21/32 OD x 3/32" thk	SG-2I-4-4C *
88	Reel Hold Down Knob	6283
76	Detent Spring, Rewind Arm	6319
	7" Plastic Reel	6911
77/89	Steel Ball, 5/16" dia.	7798-2
	Leaf Spring, Rewind Control	420-004
	Power Cable	17512
	Bar Knob, with set screw	CS-5
	Tab, Belt Tension	KN-7
	Lamicoid Washer, 5/16 ID x 1/32 thk	17286-1
	Lamicoid Washer, 1/4 ID x 1/32 thk	186-0
	Lamicoid Washer, 1/4 ID x 1/64 thk	186-1
	Lamicoid Washer, 5/16 ID x 1/64 thk	186-2
	Lamicoid Washer, 1/4 ID x 1/16 thk	186-3
	PORTABLE CASE ASSEMBLY, Saddle Tan	186-4
	Rubber Shockmount Nut, Top Plate	9417-4
	Plastic Foot 3/8 in. long	6937-1
	5/8 in. long	7666
	Mounting Hardware for Plastic Foot:	BU-3
	6-32 KeP Nut	KP-1-6
	6-32 x 1/2 Binding Head Machine Screw	MS-12-6-8 or
	6-32 x 5/8 Binding Head Machine Screw	MS-12-6-10 or
	6-32 x 3/4 Binding Head Machine Screw	MS-12-6-12 or
	6-32 x 7/8 Binding Head Machine Screw	MS-12-6-14
	No. 6 Plain Steel Washer	PW-1-6
	Hinge Leaf, no pin	HI-6
	Hinge Leaf, with fixed pin	HI-6-1

Reference Symbol	Description	Ampex Catalog Number
M101	V-U Meter METER, glass RETAINING RING; self locking	6351 PS-4 430-039
R101	RESISTOR, composition: 2.2 megohm 1/2 watt	041-086
R102, R122,	RESISTOR, composition: 2,200 ohm 1/2 watt A-B	041-052
R139		EB-2221
R103	RESISTOR, carbon film: 82,000 ohm 1/2 watt 350v; Stemog type A-1	042-014
R104, R105,	RESISTOR, carbon film: 100,000 ohm 1 watt 500v;	042-011
R135	Stemog type A-2	
R106	POTENTIOMETER, audio taper: 100,000 ohm;	044-015
	A-B JA1041 SD3056	
R107	RESISTOR, carbon film: 47,000 ohm, 1/2 watt 350v; Stemog type A-1	042-013
R108, R123,	RESISTOR, composition: 22,000 ohm, 1/2 watt;	041-064
R134	A-B EB-2231	
R109, R110	RESISTOR, composition: 270,000 ohm, 1/2 watt; A-B EB-2741	041-077
R111	RESISTOR, composition: 1,500 ohm 1/2 watt \pm 5%	041-008
R112, R144	RESISTOR, composition: 47,000 ohm 1/2 watt;	041-068
	A-B EB-4731	
R113, R117,	RESISTOR; 100,000 ohm 1/2 watt; A-B EB-1041	041-072
R140		
R114, R125,	POTENTIOMETER, audio taper: 250,000 ohm;	044-042
R137	Centralab BA-011-1224	
R115, R131,	RESISTOR, composition: 1 megohm 1/2 watt; A-B EB-1051	041-031
R138, R141		
R116	RESISTOR, composition: 33,000 ohm 1/2 watt \pm 5%	041-017
R118	RESISTOR, composition: 560 ohm 1/2 watt; A-B EB-3311	041-045
R119	RESISTOR, composition: 47,000 ohm 2 watt; A-B EB-4731	041-220
R120, R127	RESISTOR, composition: 470,000 ohm 1/2 watt;	041-080
	A-B EB-4741	
R121	RESISTOR, composition: 470 ohm 1/2 watt; A-B EB-4711	041-044
R124	RESISTOR, composition: 10,000 ohm 1 watt; A-B EB-1031	041-158
R128,	RESISTOR, composition: 1,800 ohm 1/2 watt	041-051
R129	RESISTOR, carbon film: 220,000 ohm 1 watt 500v; Stemog type A-2	042-012
R130	POTENTIOMETER, audio taper: 10,000 ohm; IRC type Q	044-039
R132	RESISTOR, composition: 1.2 K \pm 10%, 1/2 watt	041-049
R133	RESISTOR; 15,000 ohm 1/2 watt	041-062
R136	RESISTOR; 330,000 ohm 1/2 watt	041-078
R142	RESISTOR, composition: 820 ohm 1/2 watt; A-B EB-8211	041-047
R143	RESISTOR; 10,000 ohm 2 watt	041-213
R145, R146,	RESISTOR, composition: 4,700 ohm 1/2 watt;	041-056
R148, R149	A-B EB-4721	
R147	POTENTIOMETER, linear taper: 10,000 ohm; IRC type Q	044-050

Reference Symbol	Description	Ampex Catalog Number
LO-16	Latch, Fastener	
LO-17	Catch, Fastener	
MS-21-8-10N	No. 8 Oval Phillips Sheet Metal Screw, type Z	
MS-26-8-8N	8-32 x 1/2 Oval Phillips Machine Screw	
SN-3U-8Z-1	Timberman Nut, Electronics	
HA-7	Handle	
CA-21	Handle-mounting, Cap, brass	
7528-1	Mounting rail, right hand	
7528-2	Mounting rail, left hand	
CO-328	CAPACITOR, electrolytic: 3x40 uf, 252; Mallory WP 520.	
CO-294	CAPACITOR, tubular: .1 uf 400 v; C-D No. ST4P1	
CO-68	CAPACITOR, electrolytic: 4x10 uf 450v; Mallory FP-434	
CO-347	CAPACITOR; .047 uf 400 v; C-D ST4S47	
CO-334	CAPACITOR, tubular: .0047 uf 400 v \pm 5%; C-D ST4D47	
CO-294	CAPACITOR, tubular: .1 uf 400v; C-D ST4P1	
CO-92	CAPACITOR, trimmer: 100 uf; El Menco 302 type 30	
CO-335	CAPACITOR; .1 uf 200v \pm 5%; C-D ST2P1	
CO-338	CAPACITOR, ceramic disc: .01 uf; Centralab DD103	
CO-330	CAPACITOR, tubular: .5 uf 400v; Sangamo 300 405	
CO-236	CAPACITOR, electrolytic: 3x20 uf 450v; Mallory 376.5	
CO-329	CAPACITOR, electrolytic: 1000 uf 6v; Sprague TVA-1104	
CO-523	CAPACITOR, paper: .039 uf 400v 5%	
CO-380	CAPACITOR, paper: .022 uf 400v; C-D ST4S22	
CO-53	CAPACITOR, electrolytic: 4 uf 150v	
CO-6	CAPACITOR, mica: .001 uf 500v \pm 5%; Sangamo KR-1210	
CO-140	CAPACITOR, mica: 350 uf 500v \pm 5%; Sangamo KR	
070-003	FUSE: 1 ampere 250v; Littlefuse 312001	
FE-5	FUSE HOLDER, with Hardware	
PL-320S	CONNECTOR; microphone input, 3 contact shielded; Cannon XL-3-13N	
JA-28	JACK; Miniature phone, 2-conductor; Switchcraft 41	
JA-21	JACK; phone; Switchcraft 11	
JA 33	JACK; output phone; 3 conductor	
PL-319P	CONNECTOR, miniature; power 2 contact; GE 2711	
I7420-1	PLUG, octal; dummy plug assembly	
PL-69S	CONNECTOR, tape transport connector; Jones S-308-cct	
PL-338P	CONNECTOR; reproduce head cable; Jones P-302-cct-L	
CH-8	CHOKE, r-f; 20 mhy; Miller 691	
CH-62	CHOKE, 5.5 hy; Merit C-2975	

Reference Symbol	Description	Ampex Catalog Number
	601-620 Interconnecting Cable Assembly, 8 ft.	9411-1
	601-620 Interconnecting Cable Assembly, 20 ft.	9411-2
	Adaptor for Rack Mounting	9684-1
	<u>Plug-in Low Impedance Microphone Input Transformer</u>	17331-1
	<u>Tape Speed Conversion Kits</u>	
	For field application, includes pulley, belt, standard alignment tape for new speed, and complete installation and alignment instructions for converting from 7-1/2 in./sec. to 3-3/4 or vice versa.	
	FOR 60 CYCLE MACHINES	
	Change from 7-1/2 ips to 3-3/4 ips,	7556-0
	Change from 3-3/4 ips to 7-1/2 ips,	7556-1
	FOR 50 CYCLE MACHINES	
	Change from 7-1/2 ips to 3-3/4 ips,	7556-2
	Change from 3-3/4 ips to 7-1/2 ips,	7556-3
	<u>Power Frequency Conversion Kits:</u>	
	For converting 7-1/2 ips machine from operation on 60 cps current to operation on 50 cps current	9738
	For converting 7-1/2 ips machine from operation on 50 cps current to operation on 60 cps current	9739
	For converting 3-3/4 ips machine from operation on 60 cps current to operation on 50 cps current	9740
	For converting 3-3/4 ips machine from operation on 50 cps current to operation on 60 cps current	9741
	Each kit contains the appropriate pulley, belt and mounting instructions.	
	Can of Oil, Caloil Turbine #11, 4 oz.	FP-5
		TO-9
		5563
		6000
	Alignment Tape, 7-1/2 ips 3-3/4 ips	
	Spare Parts Kit for 7-1/2 ips 60 cps Machines	9742-1
	Contains following parts:	
	1 Drive Belt	2871-3
	1 Capstan Idler	6211
	1 Spring	6246
	1 Felt Clutch Lining (Rewind)	6250
	1 Felt Clutch Lining (Takeup)	6250-1
	1 Rewind Idler	6284
	2 Reel Hold Down Knob	6319

Reference Symbol	Description	Ampex Catalog Number
R150	POTENTIOMETER, linear taper: 100 ohm; Mallory type C-P	044-095
R151	RESISTOR: Composition 560 ohm 1/2 watt 10%	041-045
R152	RESISTOR, composition: 82 K, ± 10%, 1/2 watt	041-246
S101	SWITCH, SPST toggle: 3 amp 250V; C-H 8280 K15	SW-74
S102	SWITCH, SPDT wafer: non-shorting: Oak 59016-23	SW-66
TI101	TRANSFORMER: power	6298
TI102	TRANSFORMER: bias and erase	6352
TI104	TRANSFORMER: output	17419-1
V101, V105	VACUUM TUBE: 6267/EF86	012-028
V102	VACUUM TUBE: 12AY7	012-043
V103, V106,	VACUUM TUBE: 12AU7	012-023
V107		
V104	VACUUM TUBE: 6F5	012-042
V108	VACUUM TUBE: 5Y3GT	012-013
	TUBE SHIELD	SD-13
	SHIELD, choke	9188-1
	Special Adjusting Screw with Retainer Sleeve	BO-4-4
	Tinnerman Cable Clamp for 6-32 Screw	CL-72
	Plastic Cable Clamp	
	Knob, 1-1/2 in. dia. skirt	KN-14
	No. 12 Lockwasher, Internal Teeth	LW-2I-12C
	3/8 Lockwasher, Internal Teeth	LW-2I-616C
	3/8 Lockwasher, Internal Teeth, Fine	LW-6I-616C
	1/2 Lockwasher, Internal Teeth, Fine	LW-6I-816C
	6-32 x 1 in. Long Bind Head Brass Machine Screw	MS-12B-6-16C
	No. 12 Plain Brass Washer	PW-1B-12C
	Fibre Washer, 3/8 ID x 5/8 OD x 1/32 in. thick	PW-3-5
	Pan Head Sem Fastener, 6-32 x 3/8 in. long	SF-2I-6-6C
	"J" type Tinnerman Nut for 6-32 screw	SN-3J-632-1
	Flat Latch Type Tinnerman Nut for 6Z screw	SN-3L-6Z-1
	3-lug Tie Point	TS-5-4
	2-lug Terminal Strip	TS-5-3
	2-lug Terminal Strip, Right Lug Grounded	TS-6-1
	Washer, Condenser insulating	6094-1
	Bottom Plate	6399-1
	ACCESSORIES	
	Head Demagnetizer	704
	Amplifier-Speaker Model 620:	
	In portable Samsonite Case, saddle tan	9419-2
	In "Brunette" Furniture Cabinet	7950-1
	In "Blonde" Furniture Cabinet	7950-2

Reference Symbol	Description	Ampex Catalog Number
4	Rubber Shockmount	6937
1	Filter Capacitor - 1000 Mfd., 6 Volts	CO-329
1	Fuse - 1 amp.	070-003
1	Takeup Belt	432-010
1	Potentiometer - 100K	044-015
1	5Y3GT Vacuum Tube	012-013
1	12AU7 Vacuum Tube	012-023
1	5879 Vacuum Tube	012-028
1	6F5 Vacuum Tube	012-042
1	12AY7 Vacuum Tube	012-043
	Spare Parts Kit for 7-1/2 ips 50 cps Machine	9742-2
	Contents same as 9742-1 except for belt	2871-6
	Spare Parts Kit for 3-3/4 ips 60 cps Machine	9742-3
	Contents same as 9742-1 except for belt	2871-7
	Spare Parts Kit for 3-3/4 50 cps Machine	9742-4
	Contents same as 9742-1 except for belt	2871-14
	Maintenance Kit Contains following parts:	6392
	Quantity	
2	Control Spring	6218
2	Spring Clutch "U"	6246
2	Nylon Thrust Disc	6934
4	Rubber Shock Mount	6937
6	Cotter Pin (1/16"x 1/2" N.P.)	401-006
2	Clevis Pin (1/8 dia. x 15/32)	400-007
2	Clevis Pin (1/8 dia. x 19/32)	400-010
2	Clevis Pin (1/8 dia. x 25/32)	400-016
1	Oil Can (1/2 oz.)	TO-9
4	Self Threading Screw (Electronics Chassis)	MS-21-8-8N
4	Phillips Head Screw (Top Plate Assembly)	MS-26-8-8N
2	Hairpin Retainer (For 3/16" Shaft)	431-002
2	Hairpin Retainer (For 1/4" Shaft)	431-006
2	Hairpin Retainer (For 7/32" Shaft)	431-004
2	Self-Locking Nut ("J" Timmerman for 6/32" Screw)	SN-3J-623-1
1	Phillips Driver (2-3/4" Overall)	TO-7
1	Flat-Bladed Screwdriver (3-1/2" Overall)	TO-8
1	Allen Wrench (1/16" across flat x 1-3/4" Arm)	TO-5
1	Allen Wrench (5/64" across flat x 1-3/8" Arm)	TO-6
	Minor Hardware Kit	7802
	Contains 250 small parts normally used in servicing.	
	Hold-back Brakes Replacement Kit	7974-1
	Contains two Holdback Brake Assemblies #6320-1.	