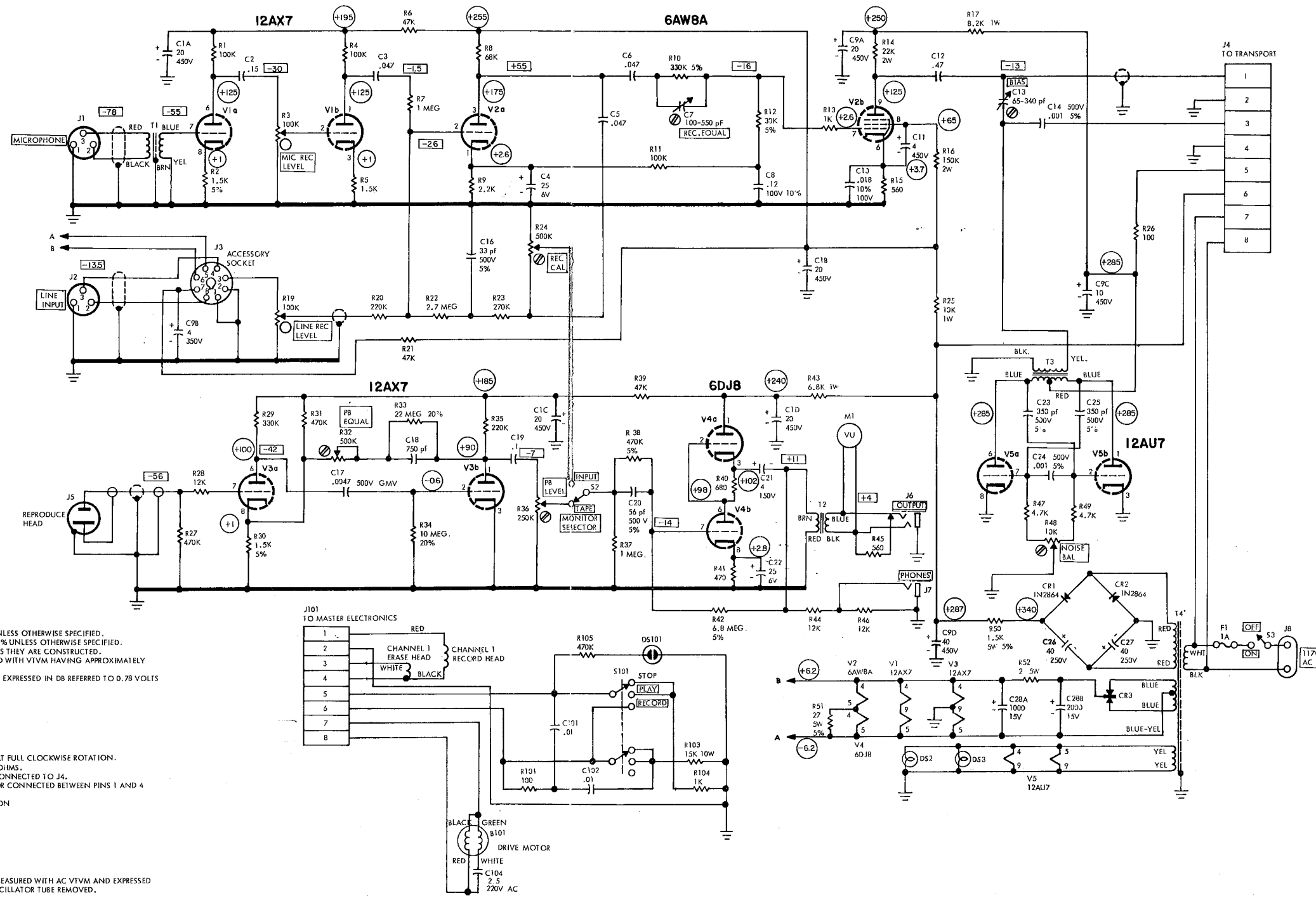


Tape Transport Exploded View

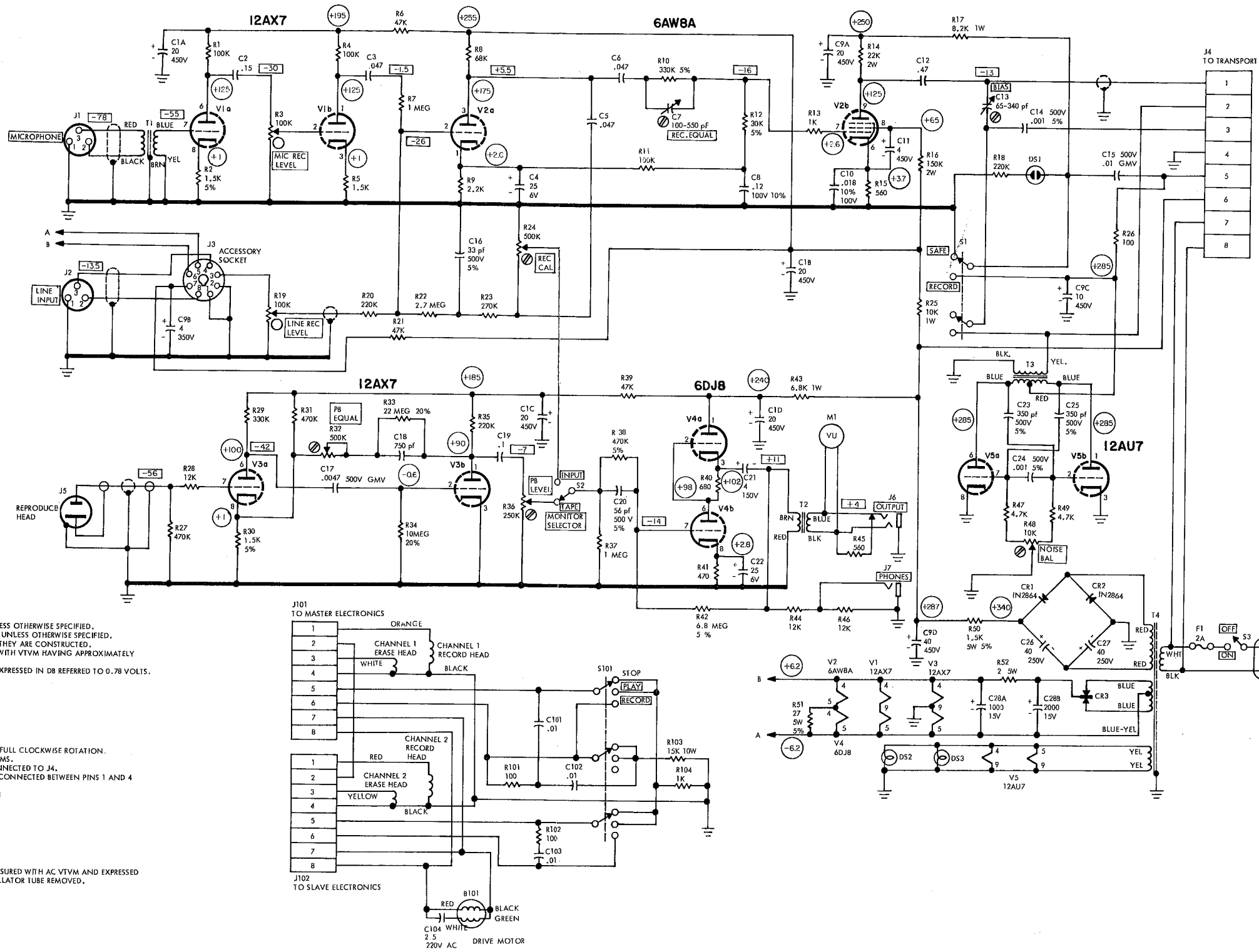


- NOTES:
1. RESISTOR VALUES ARE IN OHMS ± 10%, 1/2 WATT UNLESS OTHERWISE SPECIFIED.
  2. ALL CAPACITORS ARE IN MICROFARADS, 400 V., ± 20% UNLESS OTHERWISE SPECIFIED.
  3. SWITCHES ARE SHOWN AS THEY FUNCTION, NOT AS THEY ARE CONSTRUCTED.
  4. DC VOLTAGES MEASURED FROM POINT TO GROUND WITH VTVM HAVING APPROXIMATELY 10 MEGOHMS INPUT RESISTANCE.
  5. SIGNAL VOLTAGES MEASURED WITH AC VTVM AND EXPRESSED IN DB REFERRED TO 0.78 VOLTS

- CIRCUIT CONDITIONS
1. 500 CYCLE INPUT
  2. RECORD LEVEL CONTROLS, R3, R19 AND R36 SET AT FULL CLOCKWISE ROTATION.
  3. LINE OUTPUT, J6, TERMINATED IN NOMINAL 600 OHMS.
  4. DC VOLTAGES MEASURED WITH TAPE TRANSPORT CONNECTED TO J4.
  5. AC VOLTAGES MEASURED WITH 1000 OHMS RESISTOR CONNECTED BETWEEN PINS 1 AND 4 OF J4 AND WITH TUBE V5 REMOVED.
  6. RECORD SELECTOR SWITCH, S1, IN RECORD POSITION

- LEGEND
1. DC VOLTAGES
  2. SIGNAL VOLTAGES. SIGNAL VOLTAGES MEASURED WITH AC VTVM AND EXPRESSED IN DB REFERRED TO 0.78 VOLTS AND WITH BIAS OSCILLATOR TUBE REMOVED.

Single Channel Electronic Assembly Schematic Diagram

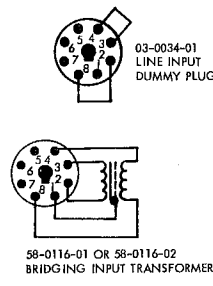
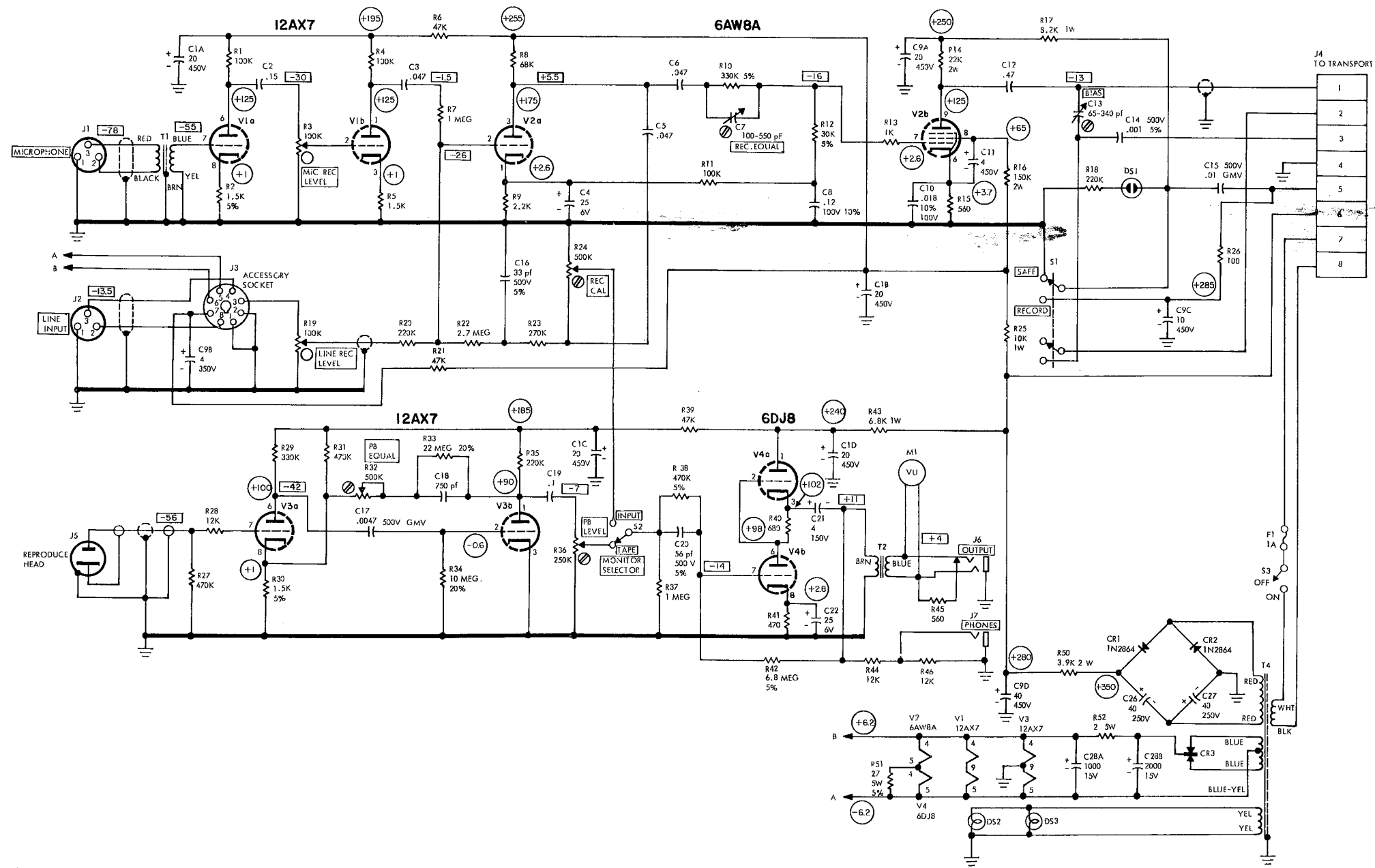


- NOTES:
1. RESISTOR VALUES ARE IN OHMS  $\pm 10\%$ , 1/2 WATT UNLESS OTHERWISE SPECIFIED.
  2. ALL CAPACITORS ARE IN MICROFARADS, 400 V,  $\pm 20\%$  UNLESS OTHERWISE SPECIFIED.
  3. SWITCHES ARE SHOWN AS THEY FUNCTION, NOT AS THEY ARE CONSTRUCTED.
  4. DC VOLTAGES MEASURED FROM POINT TO GROUND WITH VTVM HAVING APPROXIMATELY 10 MEGOHMS INPUT RESISTANCE.
  5. SIGNAL VOLTAGES MEASURED WITH AC VTVM AND EXPRESSED IN DB REFERRED TO 0.78 VOLTS.

- CIRCUIT CONDITIONS
1. 500 CYCLE INPUT
  2. RECORD LEVEL CONTROLS, R3, R19 AND R36 SET AT FULL CLOCKWISE ROTATION.
  3. LINE OUTPUT, J6, TERMINATED IN NOMINAL 600 OHMS.
  4. DC VOLTAGES MEASURED WITH TAPE TRANSPORT CONNECTED TO J4.
  5. AC VOLTAGES MEASURED WITH 1000 OHMS RESISTOR CONNECTED BETWEEN PINS 1 AND 4 OF J4 AND WITH TUBE V5 REMOVED.
  6. RECORD SELECTOR SWITCH, S1, IN RECORD POSITION

- LEGEND
1. DC VOLTAGES
  2. SIGNAL VOLTAGES. SIGNAL VOLTAGES MEASURED WITH AC VTVM AND EXPRESSED IN DB REFERRED TO 0.78 VOLTS AND WITH BIAS OSCILLATOR TUBE REMOVED.

Two Channel Master Electronic Assembly Schematic Diagram



NOTES:  
SEE SHEET 1

Two Channel Slave Electronic Assembly Schematic Diagram