

Fig. 7-1. Tape Transport Schematic Diagram, Domestic Equipment

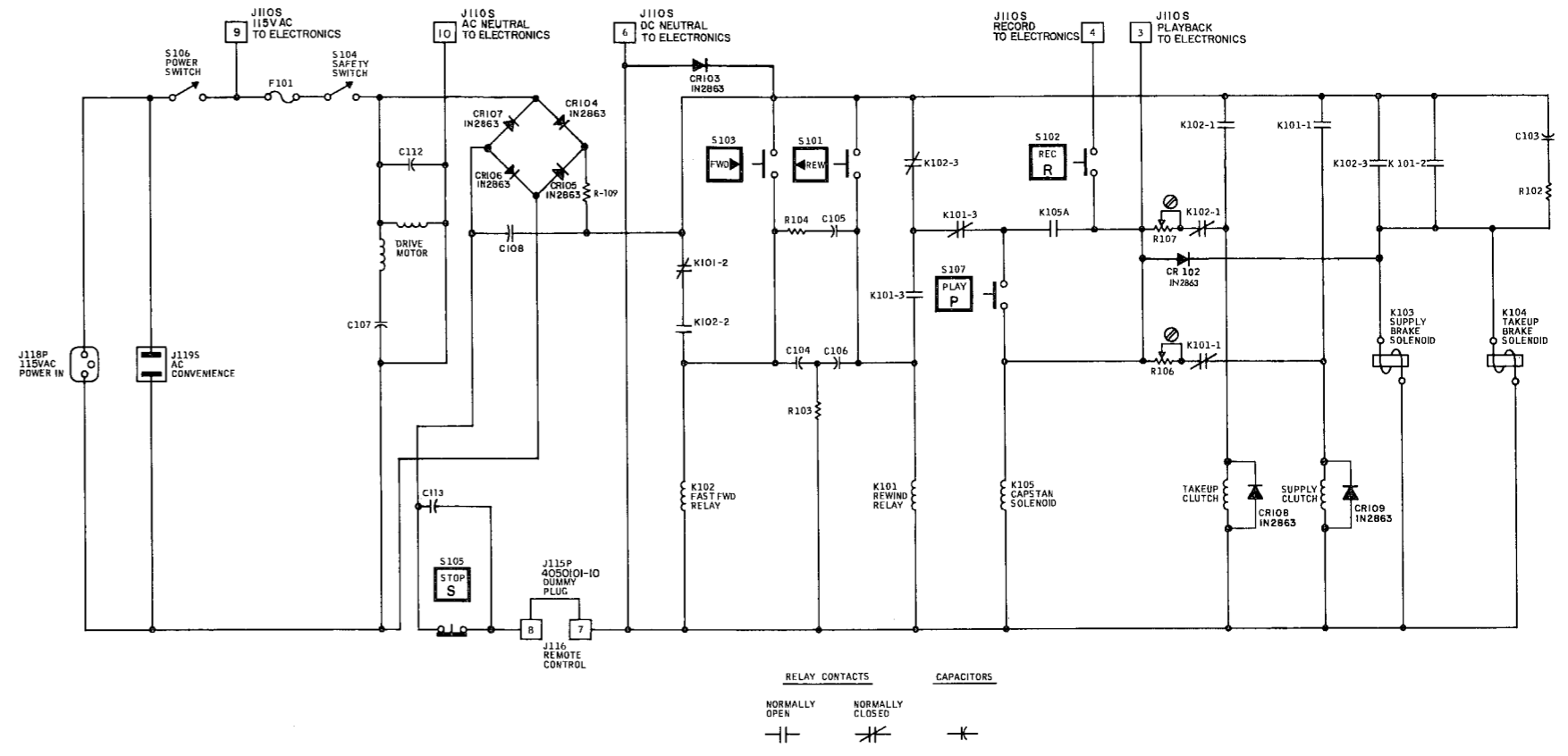


Fig. 7-2. Tape Transport Simplified Schematic Diagram, Domestic Equipment

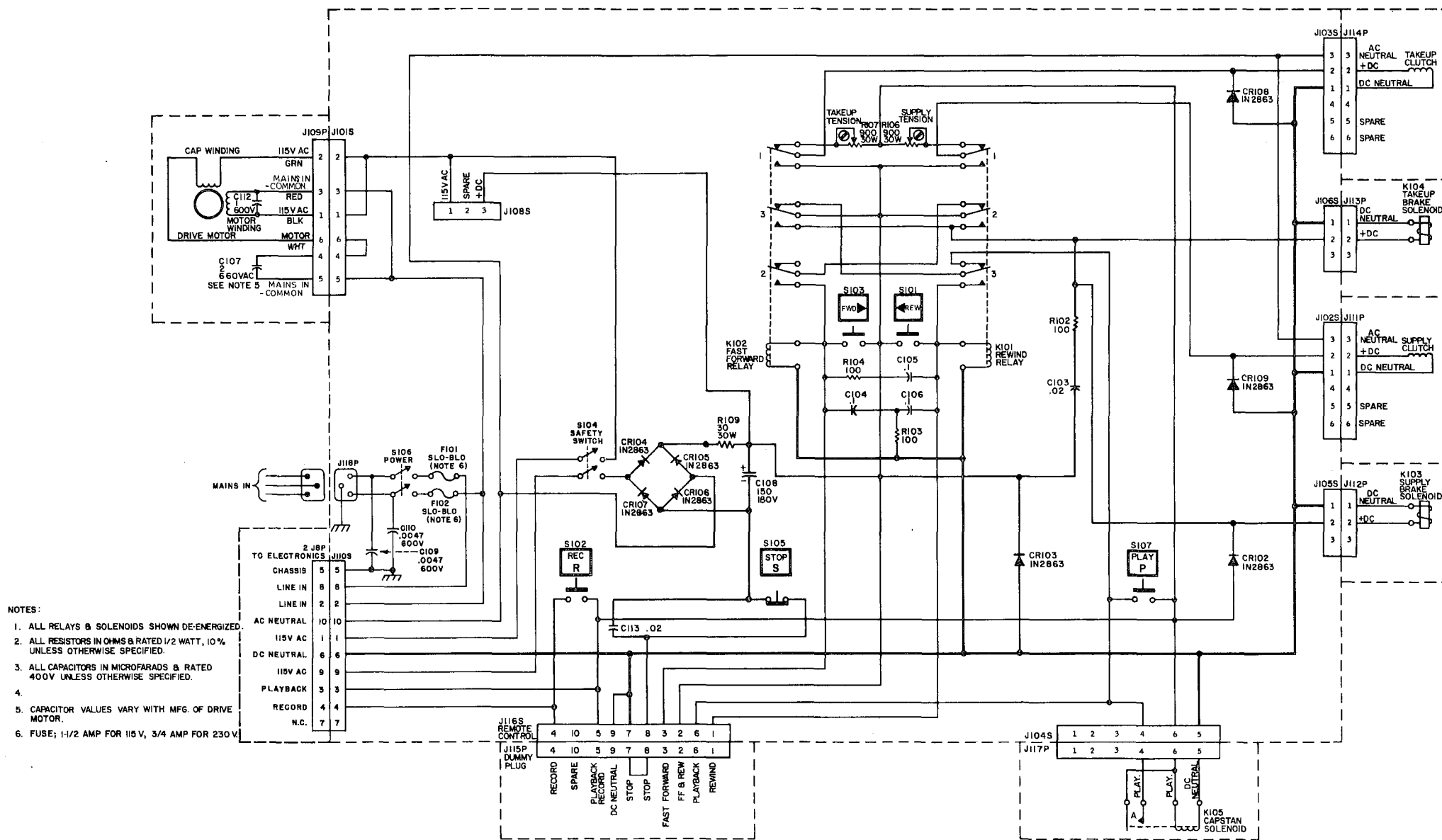


Fig. 7-3. Tape Transport Schematic Diagram, International Equipment

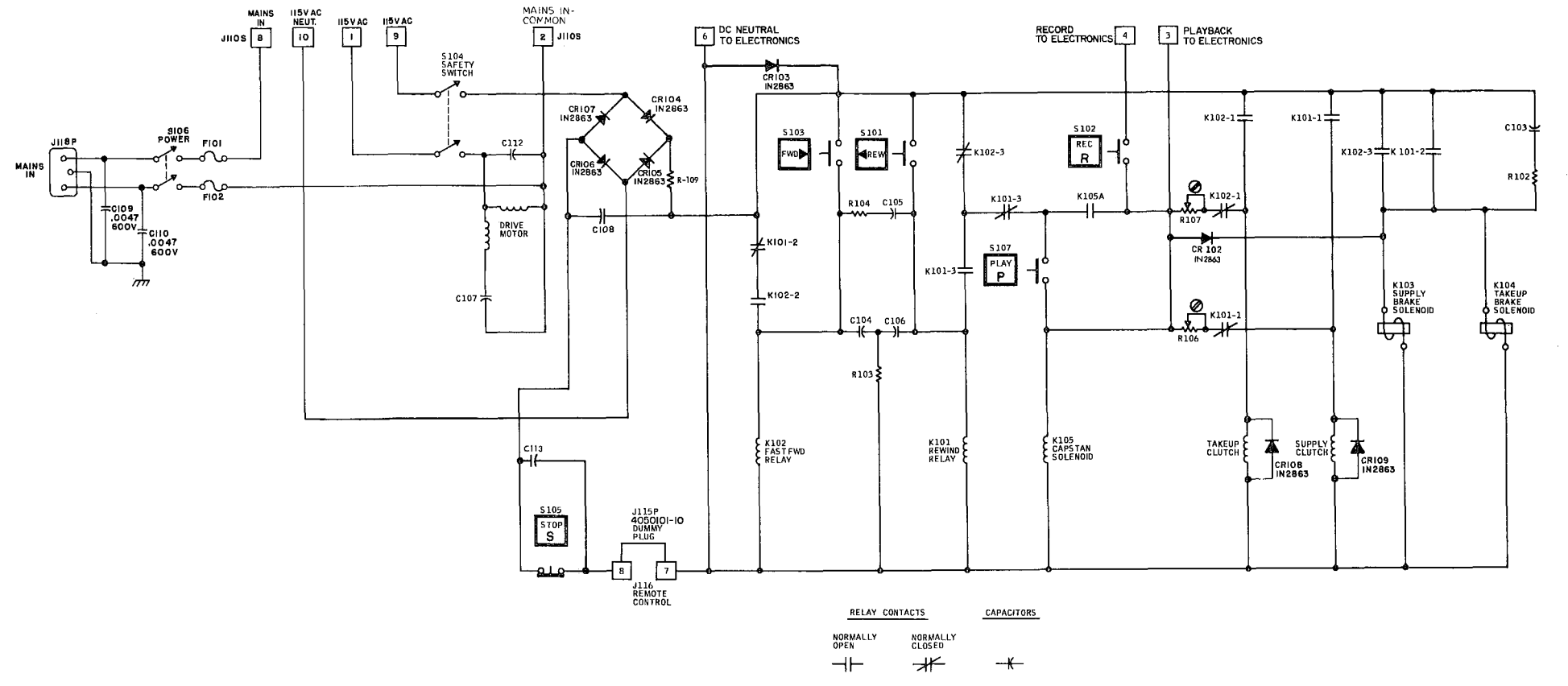


Fig. 7-4. Tape Transport Simplified Schematic Diagram, International Equipment

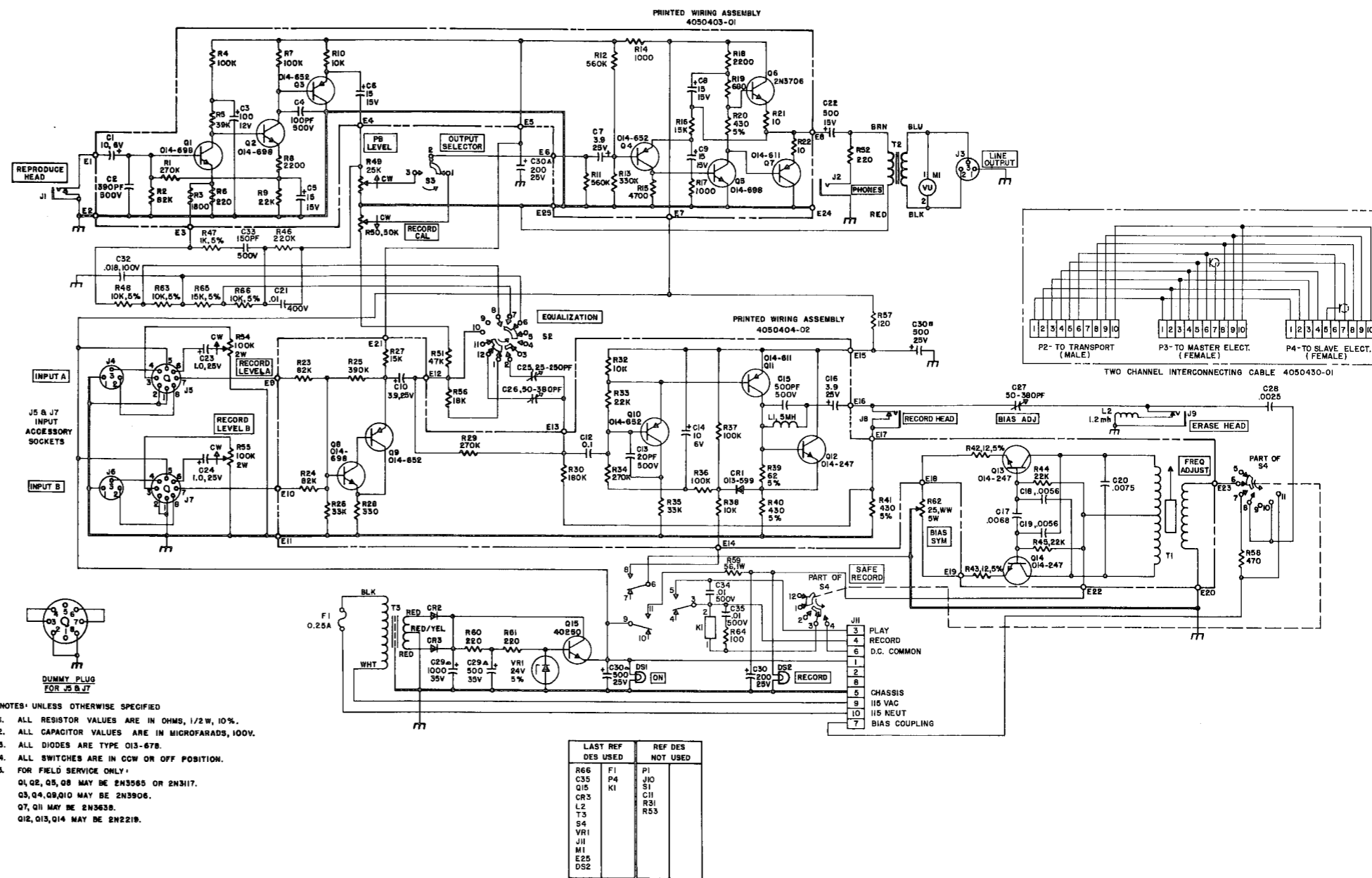


Fig. 7-6. Record/Reproduce Schematic Diagram, 15/16 and 1-7/8 ips, Domestic Equipment

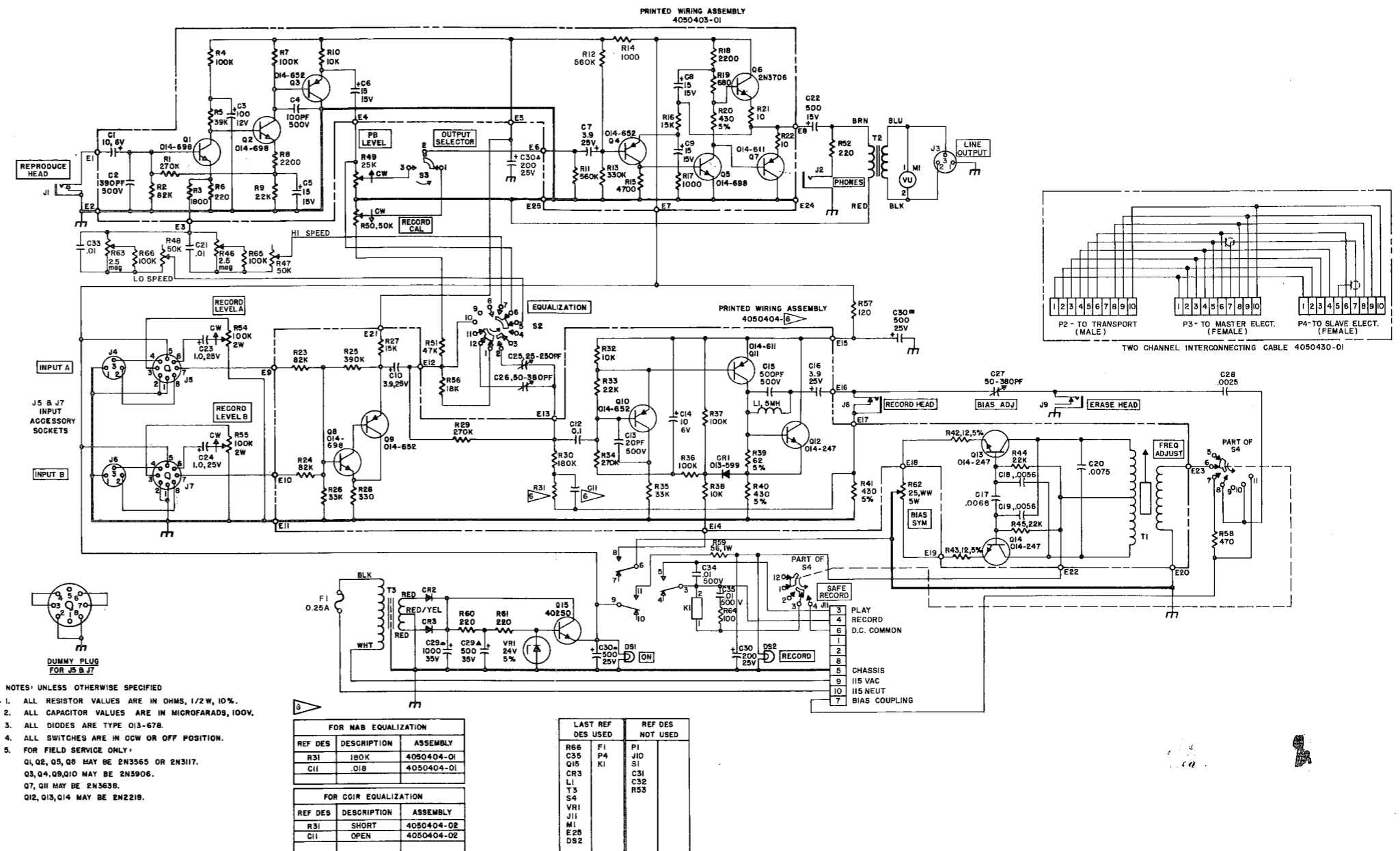
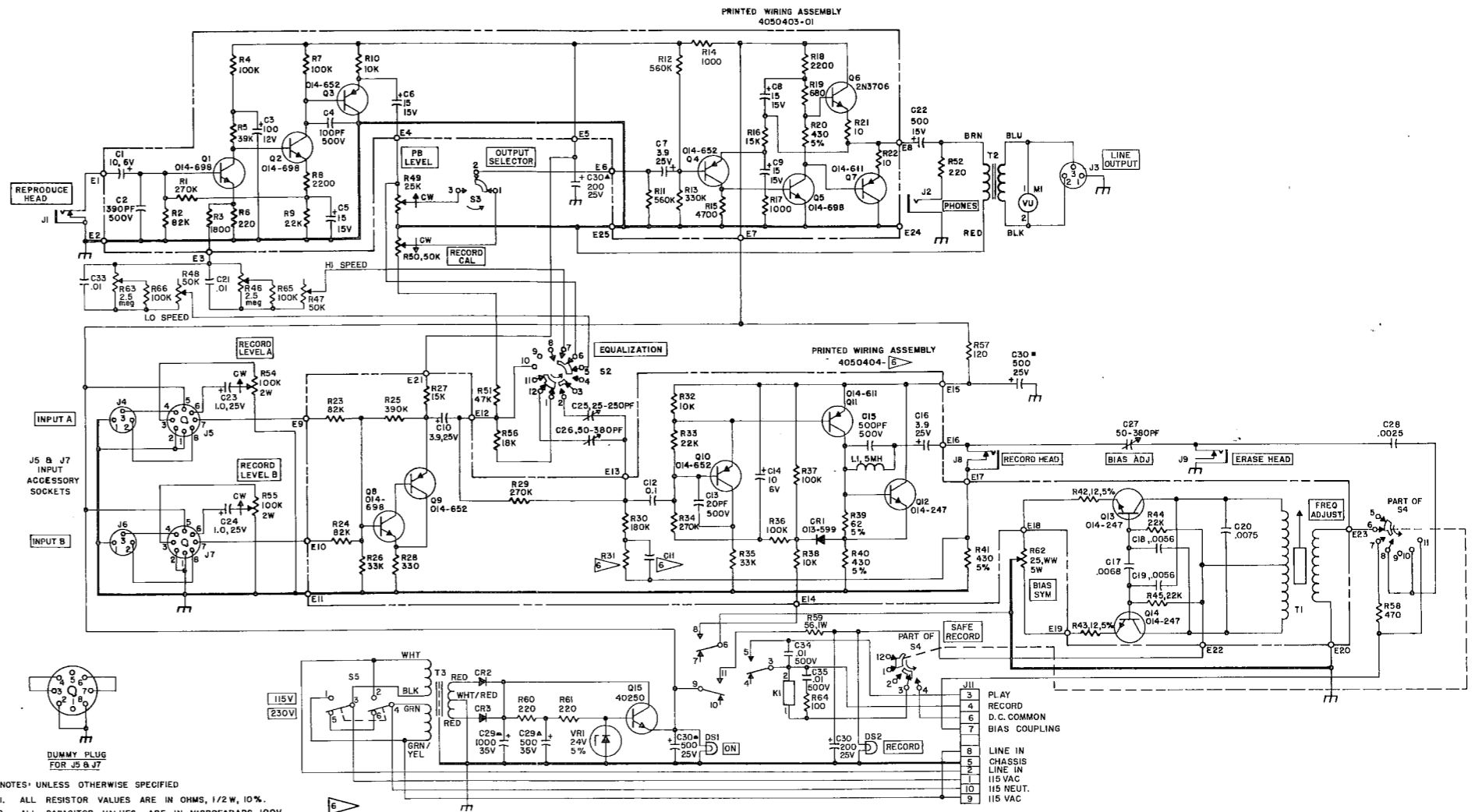


Fig. 7-5. Record/Reproduce Schematic Diagram, 3-3/4 to 15 ips, Domestic Equipment



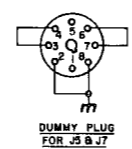
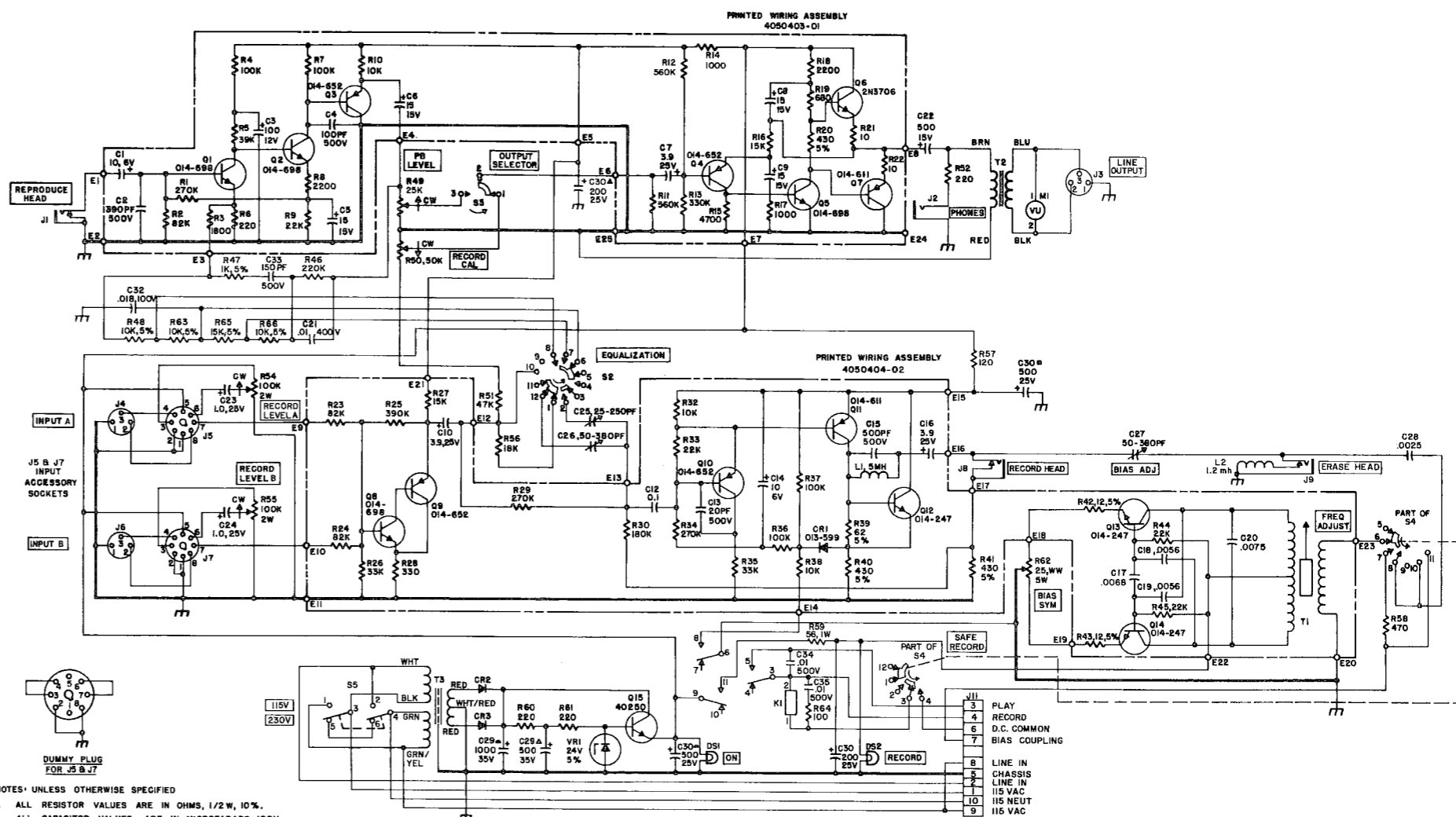
- NOTES: UNLESS OTHERWISE SPECIFIED
1. ALL RESISTOR VALUES ARE IN OHMS, 1/2 W, 10%.
 2. ALL CAPACITOR VALUES ARE IN MICROFARADS, 100V.
 3. ALL DIODES ARE TYPE Q13-67B.
 4. ALL SWITCHES ARE IN CGW OR OFF POSITION.
 5. FOR FIELD SERVICE ONLY:
 - Q1, Q2, Q5, Q6 MAY BE 2N3565 OR 2N3117.
 - Q3, Q4, Q9, Q10 MAY BE 2N3906.
 - Q7, Q8 MAY BE 2N3638.
 - Q12, Q15, Q14 MAY BE 2N2219.

FOR NAB EQUALIZATION		
REF DES	DESCRIPTION	ASSEMBLY
R31	180K	4050404-01
C11	.018	4050404-01

FOR CGIR EQUALIZATION		
REF DES	DESCRIPTION	ASSEMBLY
R31	SHORT	4050404-02
C11	OPEN	4050404-02

LAST REF DES USED	REF DES NOT USED
R66	R53
C35	S1
Q15	C31
CR3	C32
L1	J10
T3	
S5	
VRI	
J11	
M1	
E26	
DS2	

Fig. 7-7. Record/Reproduce Schematic Diagram, 3-3/4 to 15 ips, International Equipment



- NOTES: UNLESS OTHERWISE SPECIFIED
1. ALL RESISTOR VALUES ARE IN OHMS, 1/2 W, 10%.
 2. ALL CAPACITOR VALUES ARE IN MICROFARADS, 100V.
 3. ALL DIODES ARE TYPE O13-67B.
 4. ALL SWITCHES ARE IN GCW OR OFF POSITION.
 5. FOR FIELD SERVICE ONLY:
 - Q1, Q2, Q5, Q8 MAY BE 2N3565 OR 2N3117.
 - Q3, Q4, Q9, Q10 MAY BE 2N3906.
 - Q7, Q11 MAY BE 2N363B.
 - Q12, Q13, Q14 MAY BE 2N2219.

LAST REF DES USED	REF DES NOT USED
R66	K1
C35	S1
Q15	R31
CR3	C11
L2	J10
T3	
S5	
VRI	
J11	
M1	
E25	
DS2	

Fig. 7-8. Record/Reproduce Schematic Diagram, 15/16 and 1-7/8 ips, International Equipment

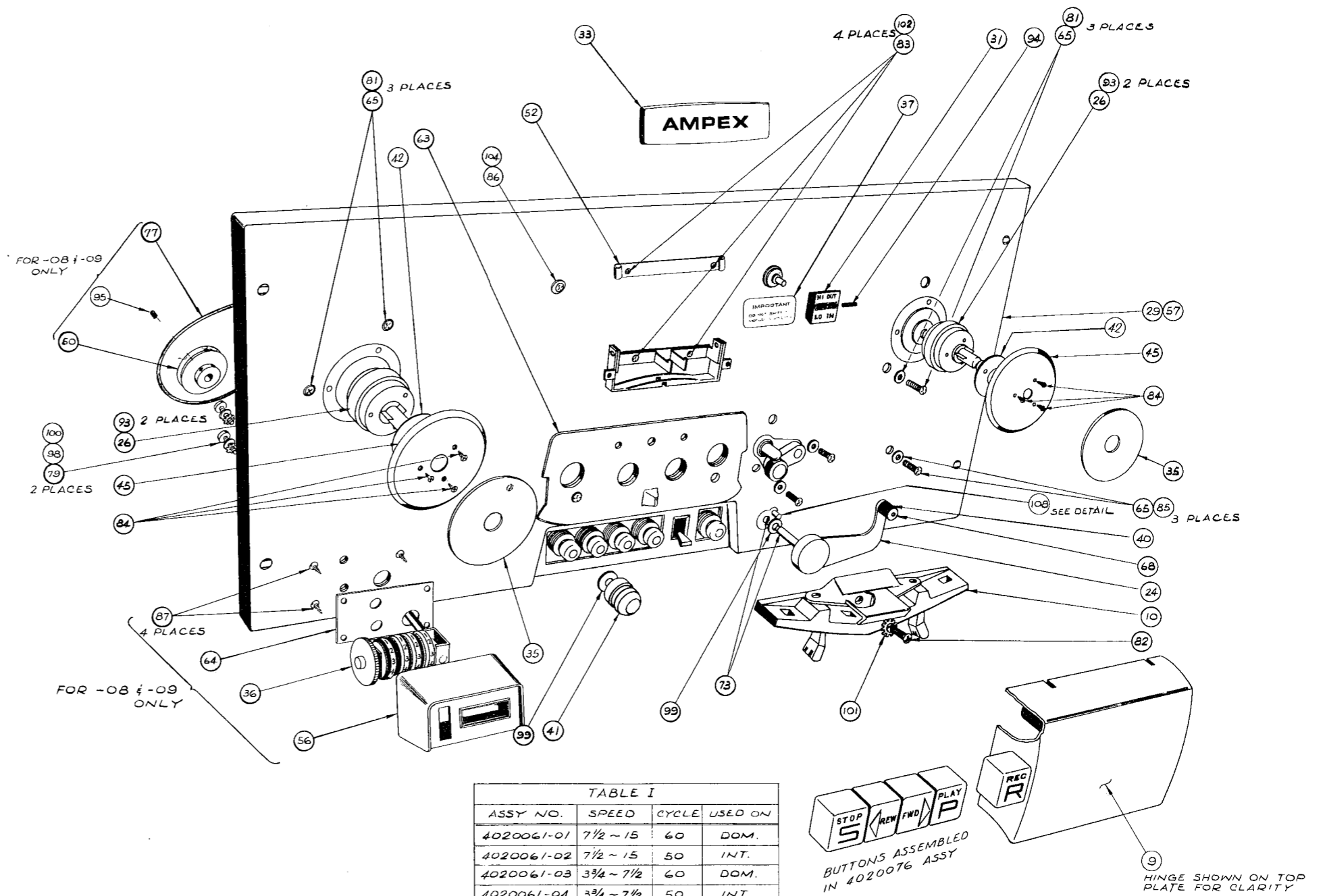


TABLE I

ASSY NO.	SPEED	CYCLE	USED ON
4020061-01	7 1/2 ~ 15	60	DOM.
4020061-02	7 1/2 ~ 15	50	INT.
4020061-03	3 3/4 ~ 7 1/2	60	DOM.
4020061-04	3 3/4 ~ 7 1/2	50	INT.
4020061-05	7 1/2 ~ 15	60	INT.
4020061-06	3 3/4 ~ 7 1/2	60	INT.
4020061-07	1 7/8 ~ 3 3/4	60	DOM.
4020061-08	1 5/16 ~ 1 7/8	60	DOM.
4020061-09	1 5/16 ~ 1 7/8	50	INT.
4020061-10	7 1/2 ~ 15	50	DOM.
4020061-11	3 3/4 ~ 7 1/2	50	DOM.
4020061-12	7 1/2 ~ 15	60	DOM. (PD-10)
4020061-13	7 1/2 ~ 15	50	DOM. (PD-10)

STOP S REW FWD PLAY
REC R

BUTTONS ASSEMBLED IN 4020076 ASSY

HINGE SHOWN ON TOP PLATE FOR CLARITY

Fig. 7-9. Tape Transport Assembly, Sheet 1

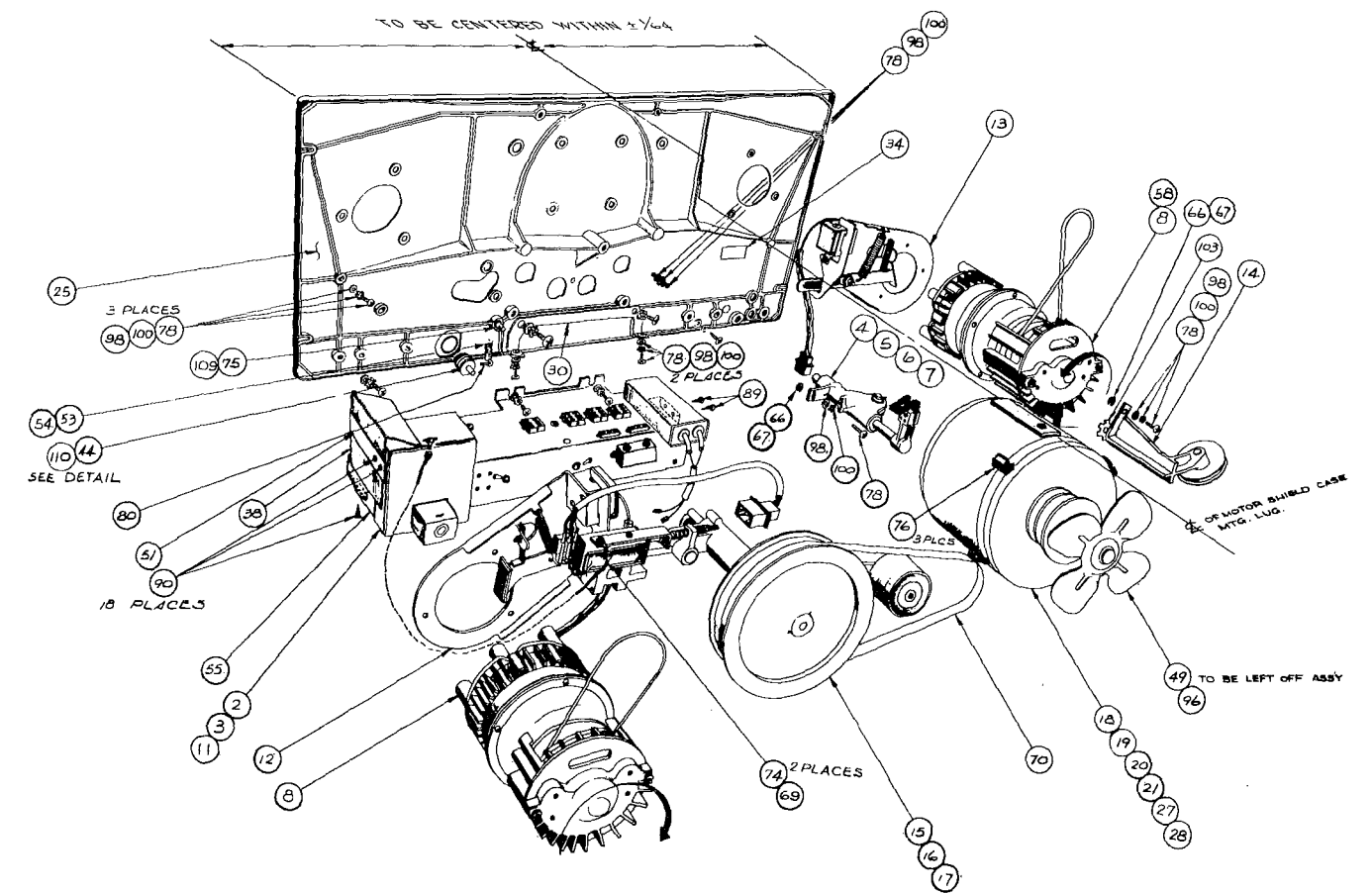
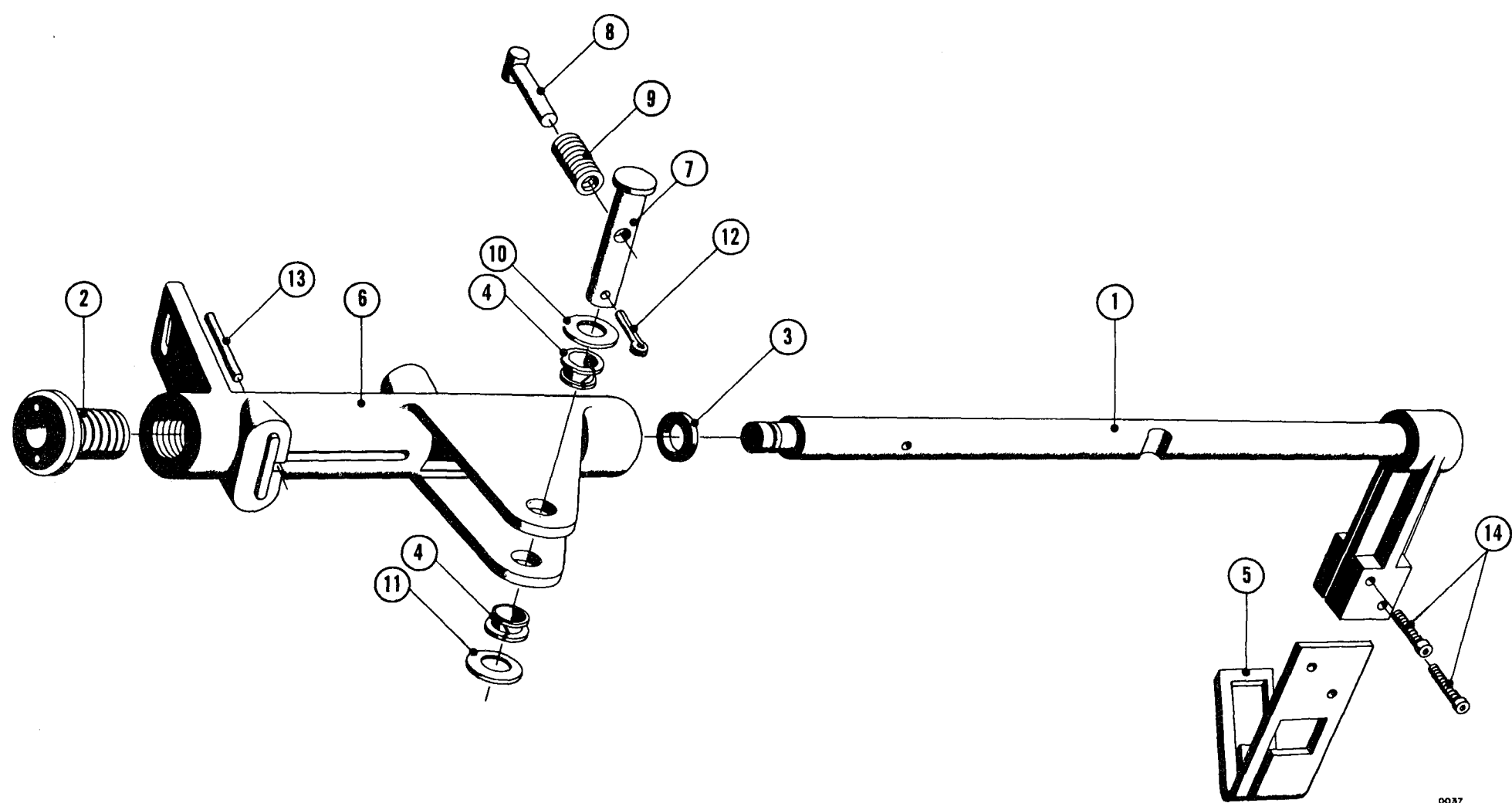


Fig. 7-10. Tape Transport Assembly, Sheet 2



0037

Fig. 7-11. Speed Change Mechanism Assembly

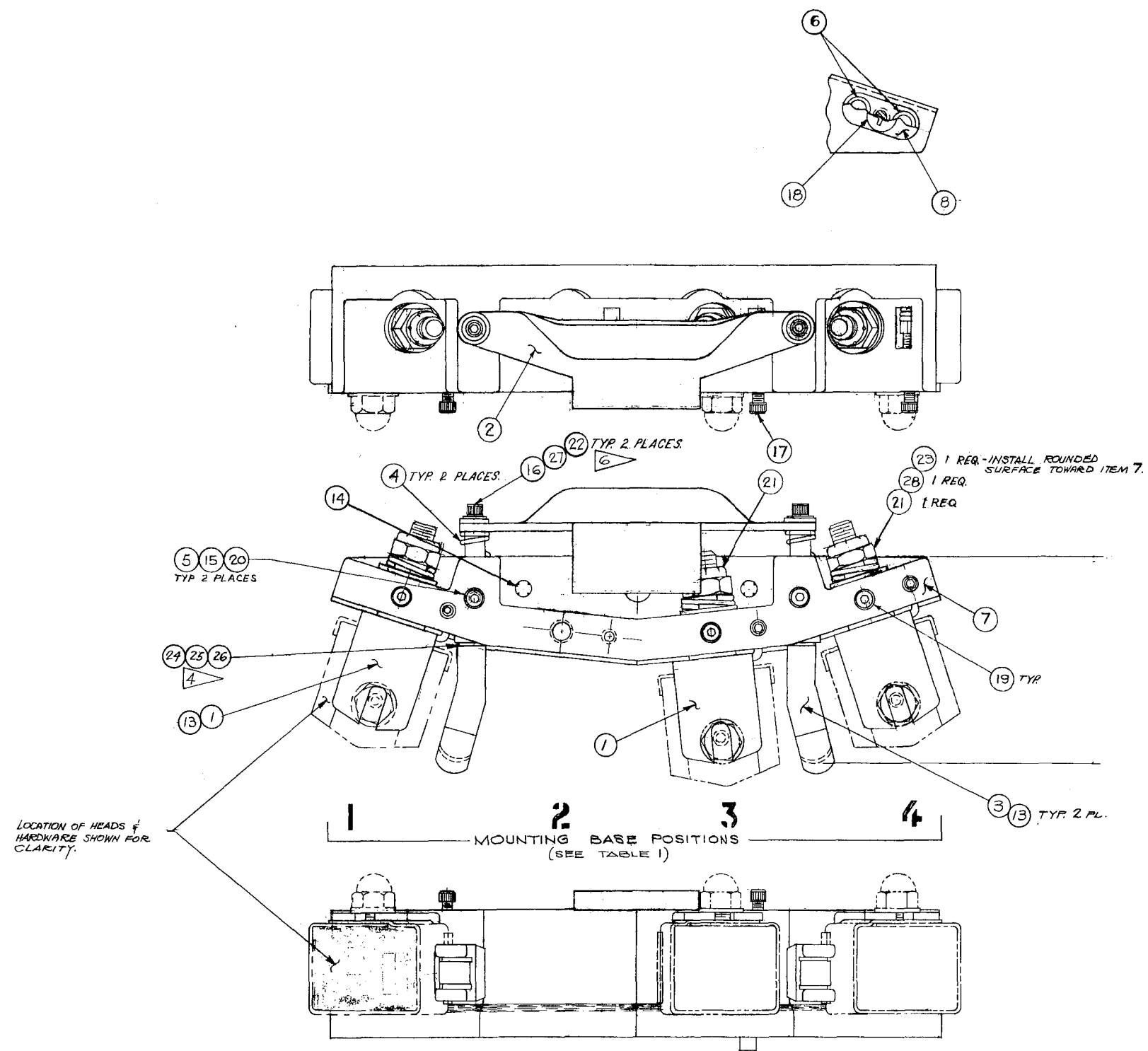


TABLE II

MODEL	NEXT ASSEMBLY
PR-10	02-96200
AG-500	4020061
AL-500	4020238
GS-80	4020238
AG-300 HEAD	02-96620
364 HEAD	

TABLE I

DASH N°	POSITIONS			
	1	2	3	4
-40	x	-	x	x
-50	x	x	x	x
-60	-	x	x	-

'X' INDICATES INSTALLATION, IN THIS POSITION OF ITEMS 1, 6 (2 PL.), 8, 18, 19, 17, 21, 23 & 28.

Fig. 7-12. Head Base Assembly

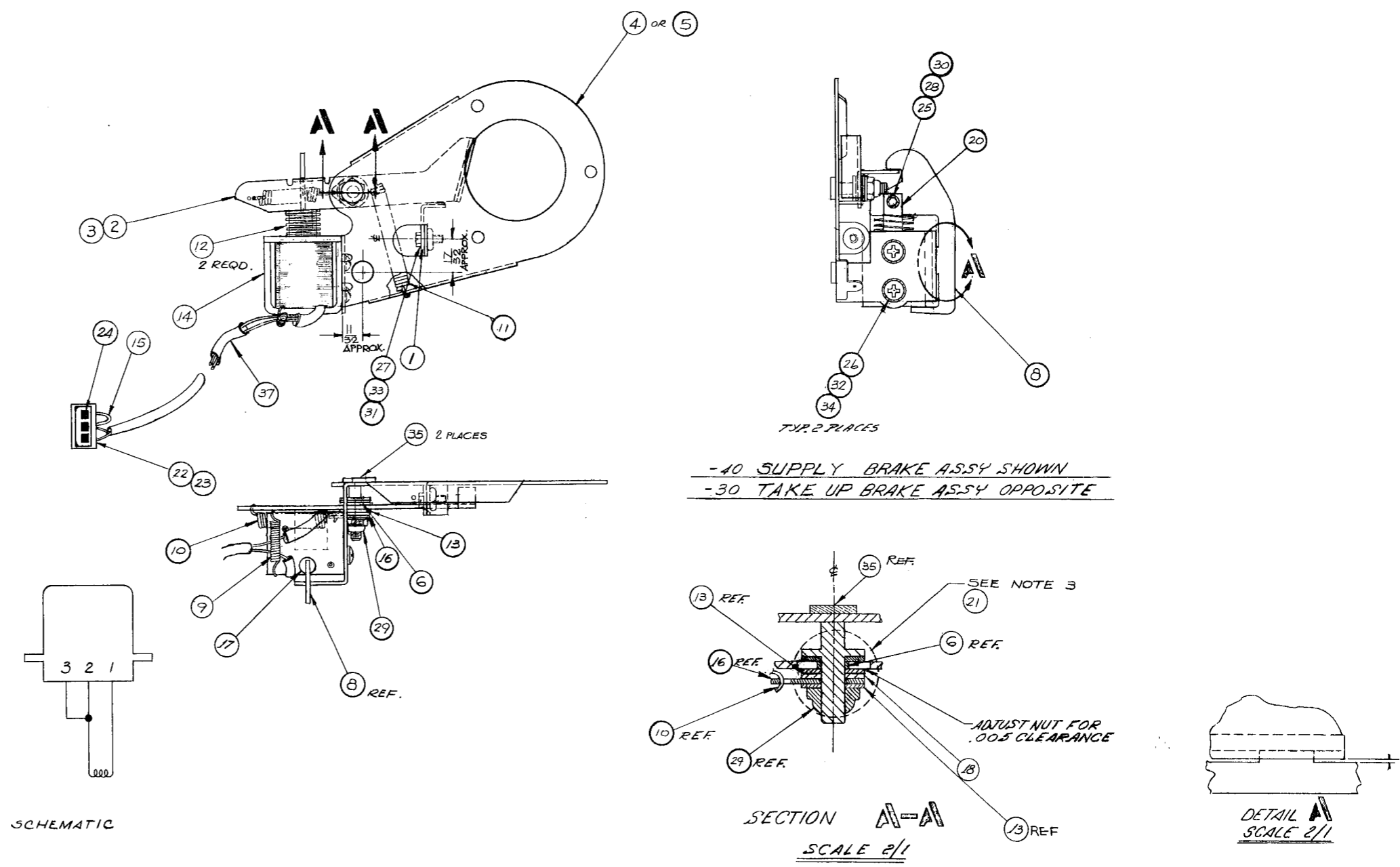


Fig. 7-13. Brake Assembly.

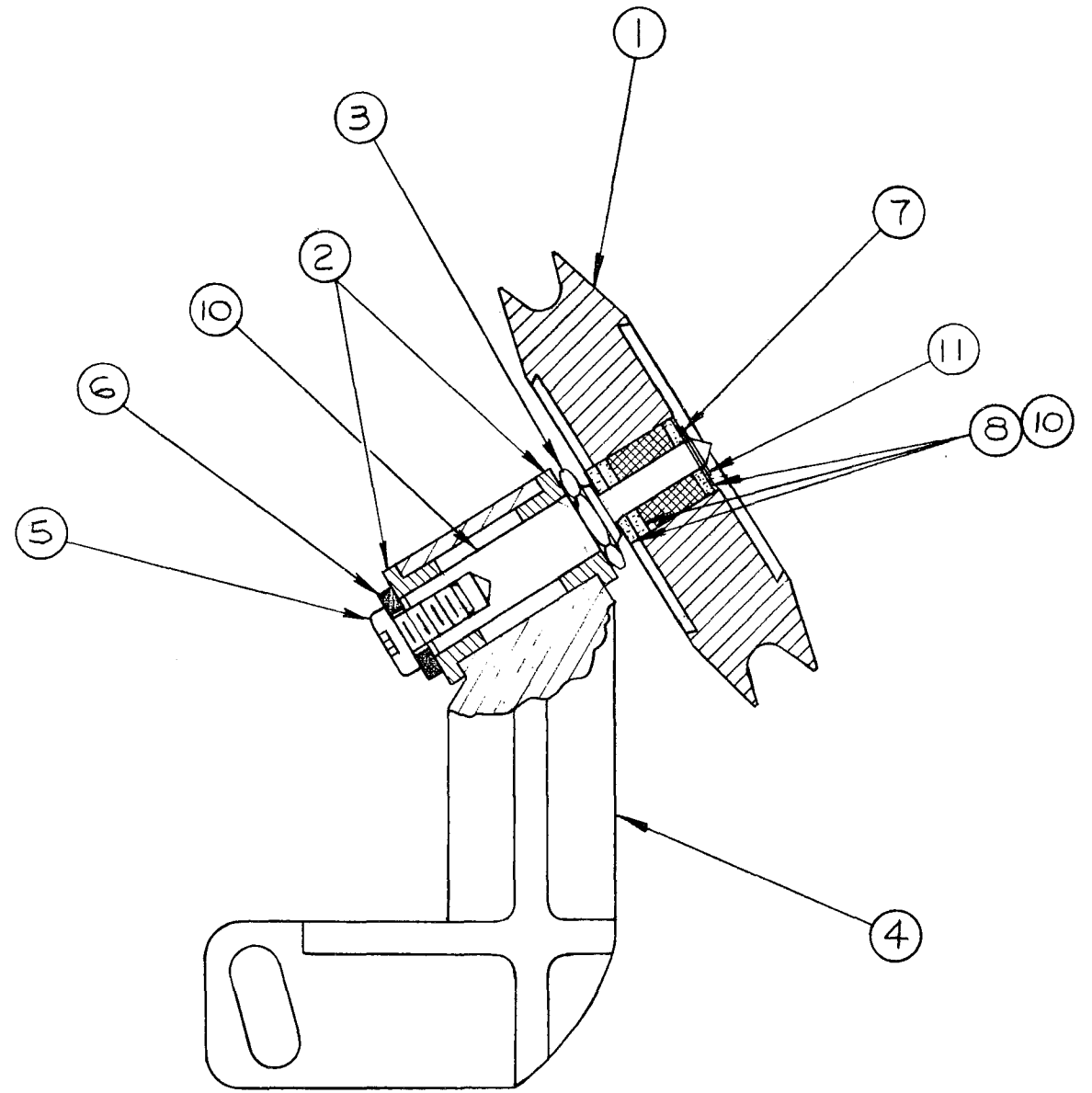


Fig. 7-14. Belt Separator Assembly

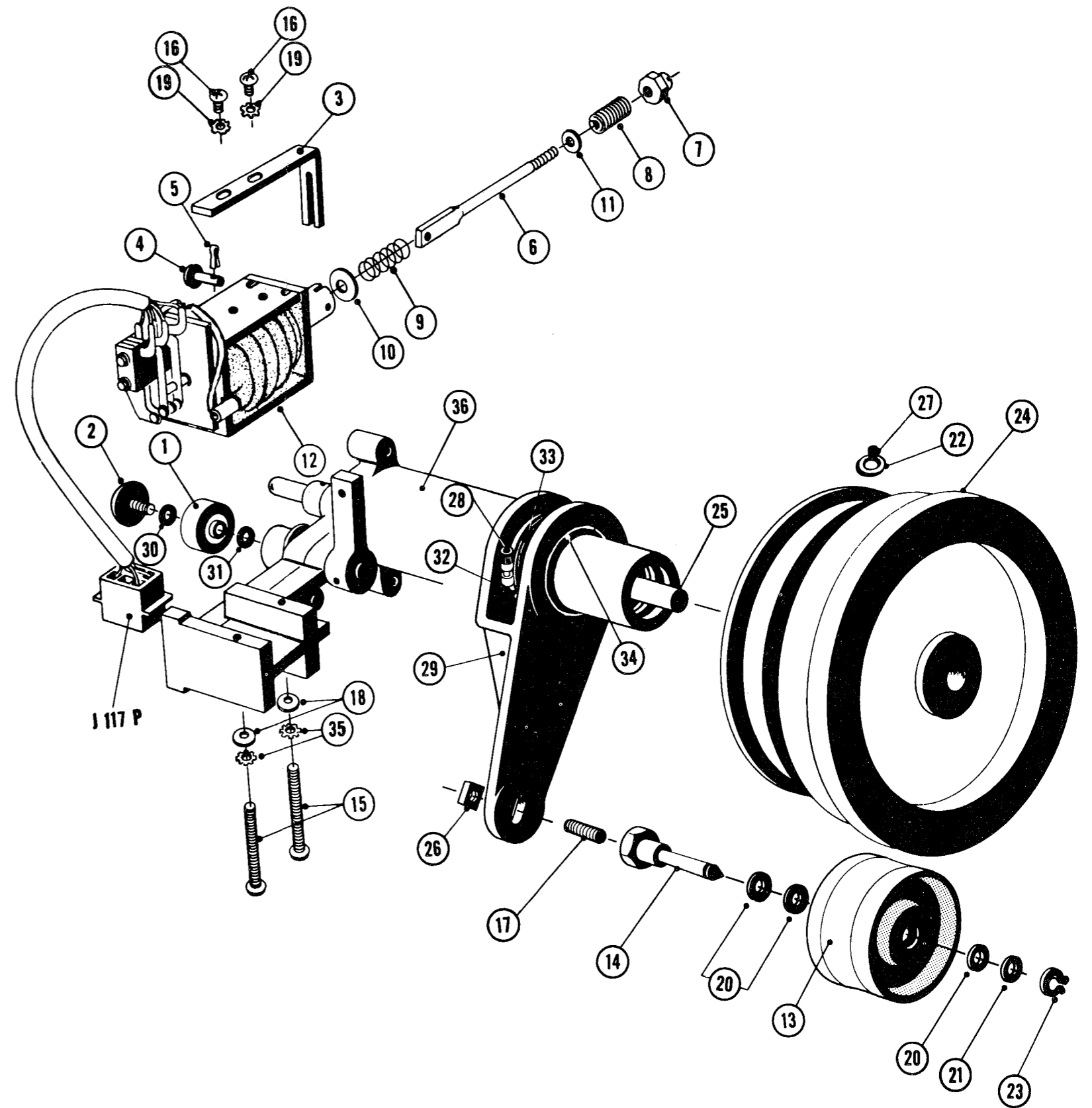


Fig. 7-15. Capstan Assembly

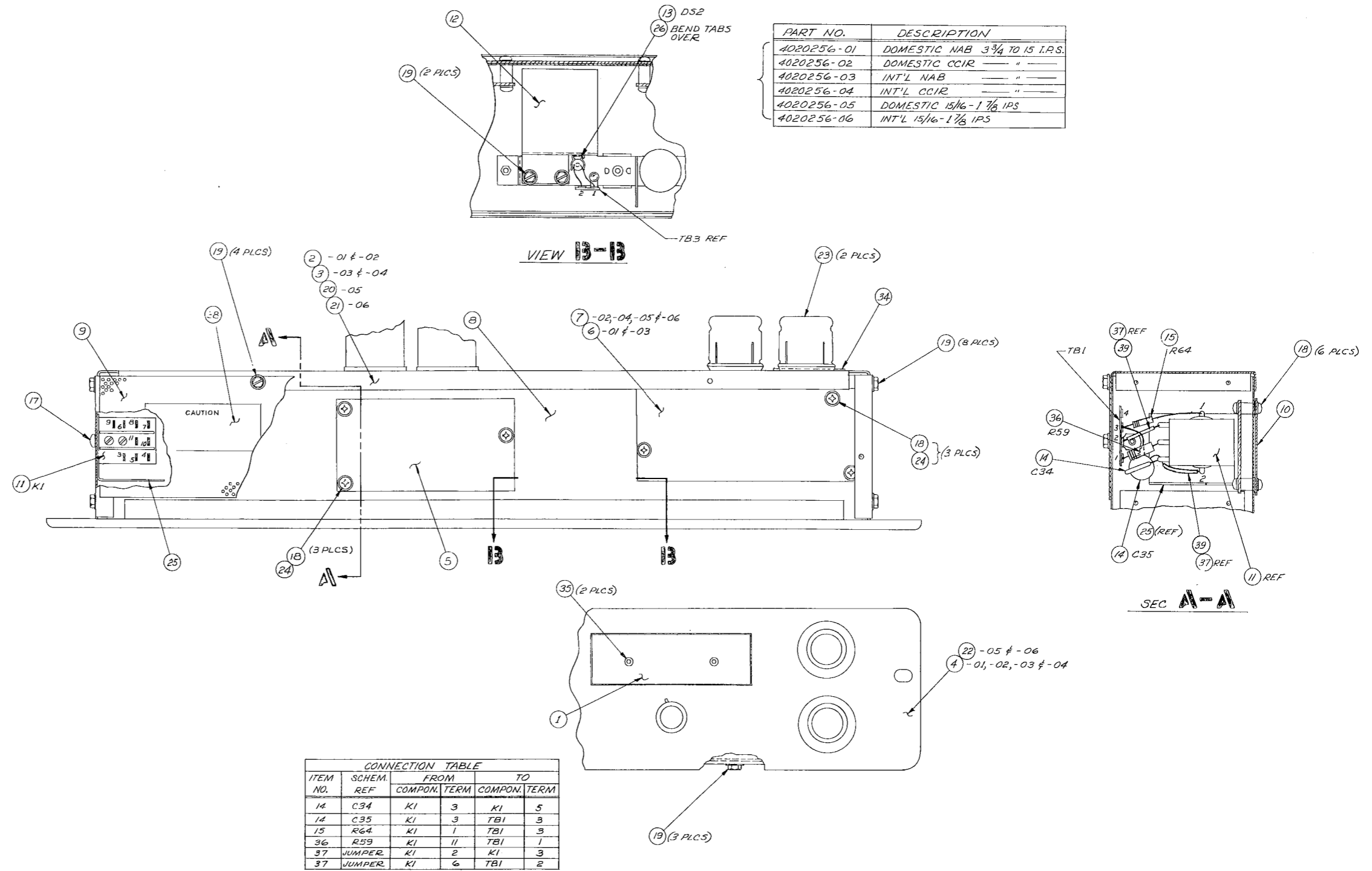


Fig. 7-16. Electronic Assembly

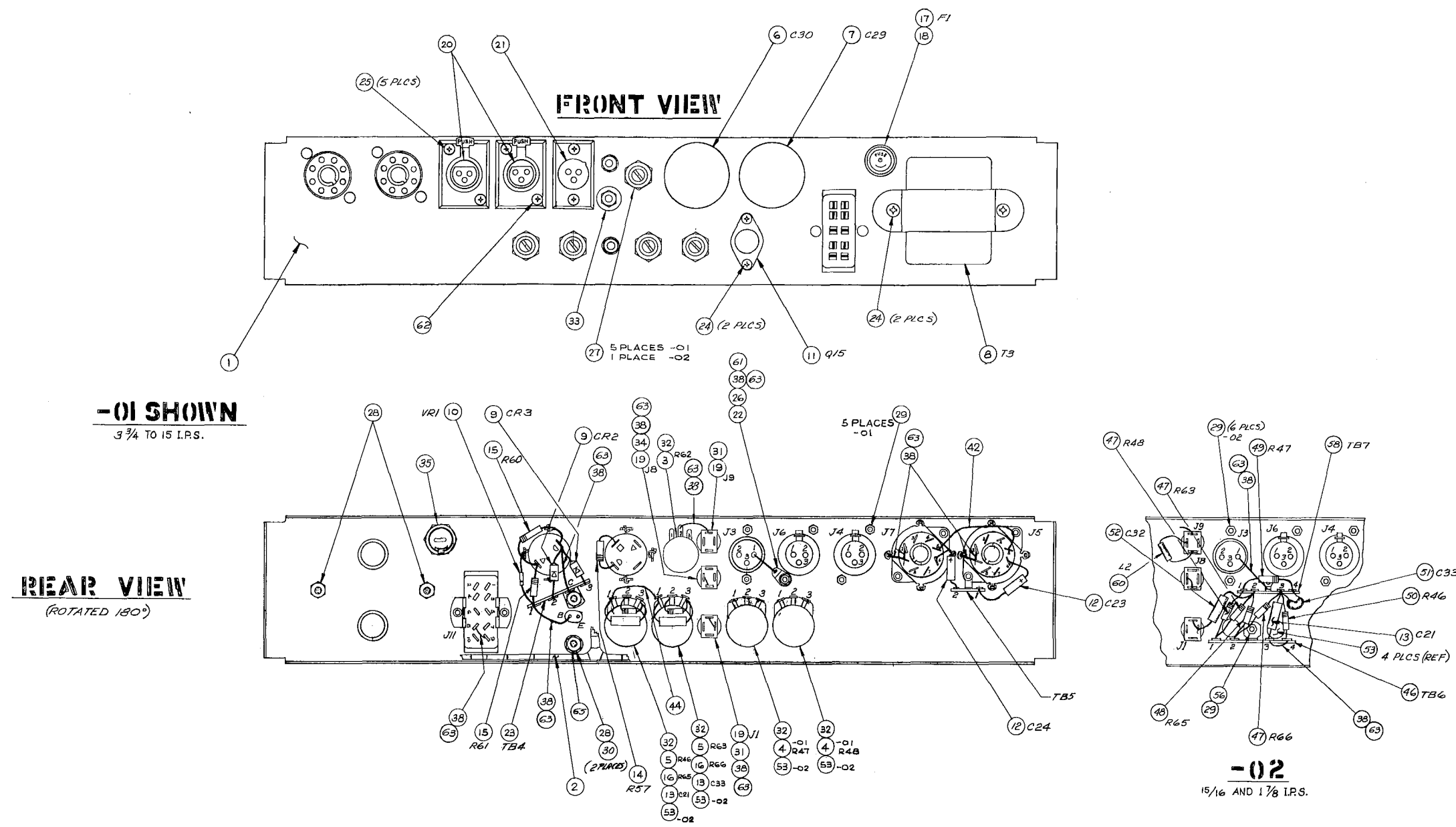


Fig. 7-17. Panel Assembly, rear (Domestic)

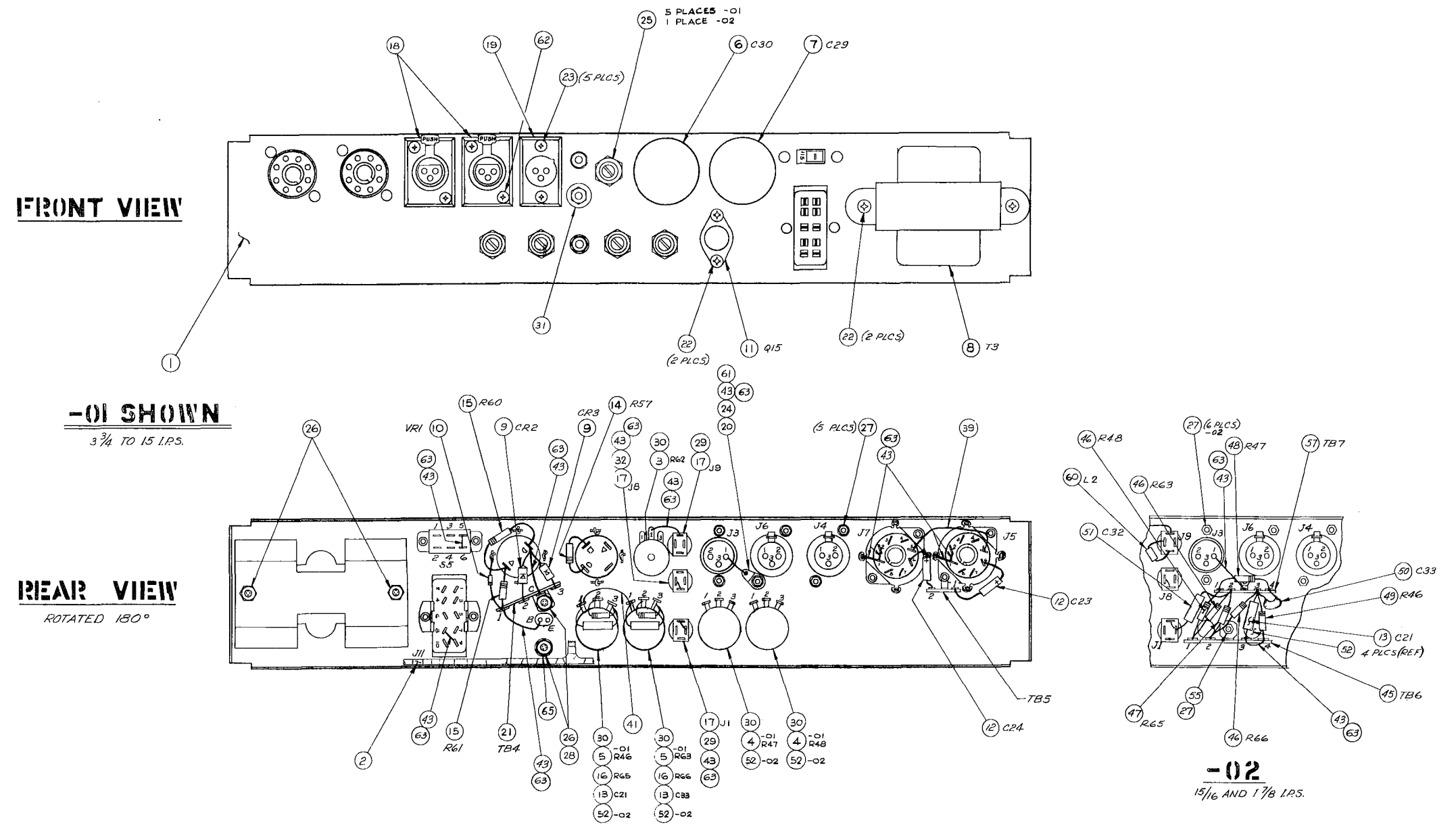
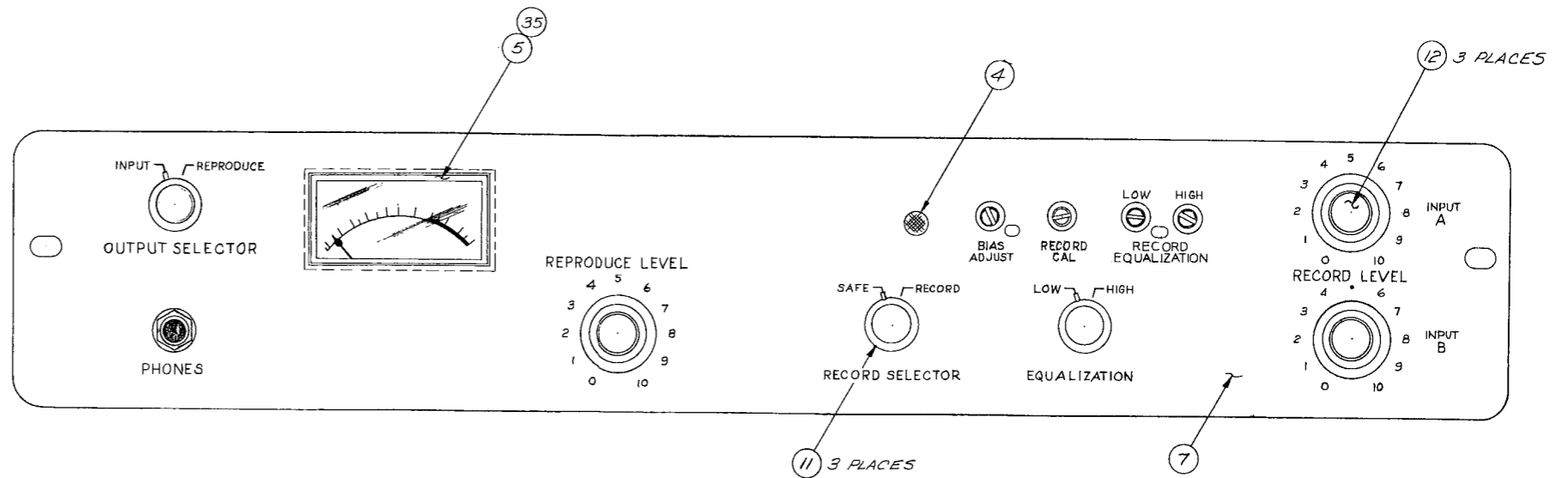
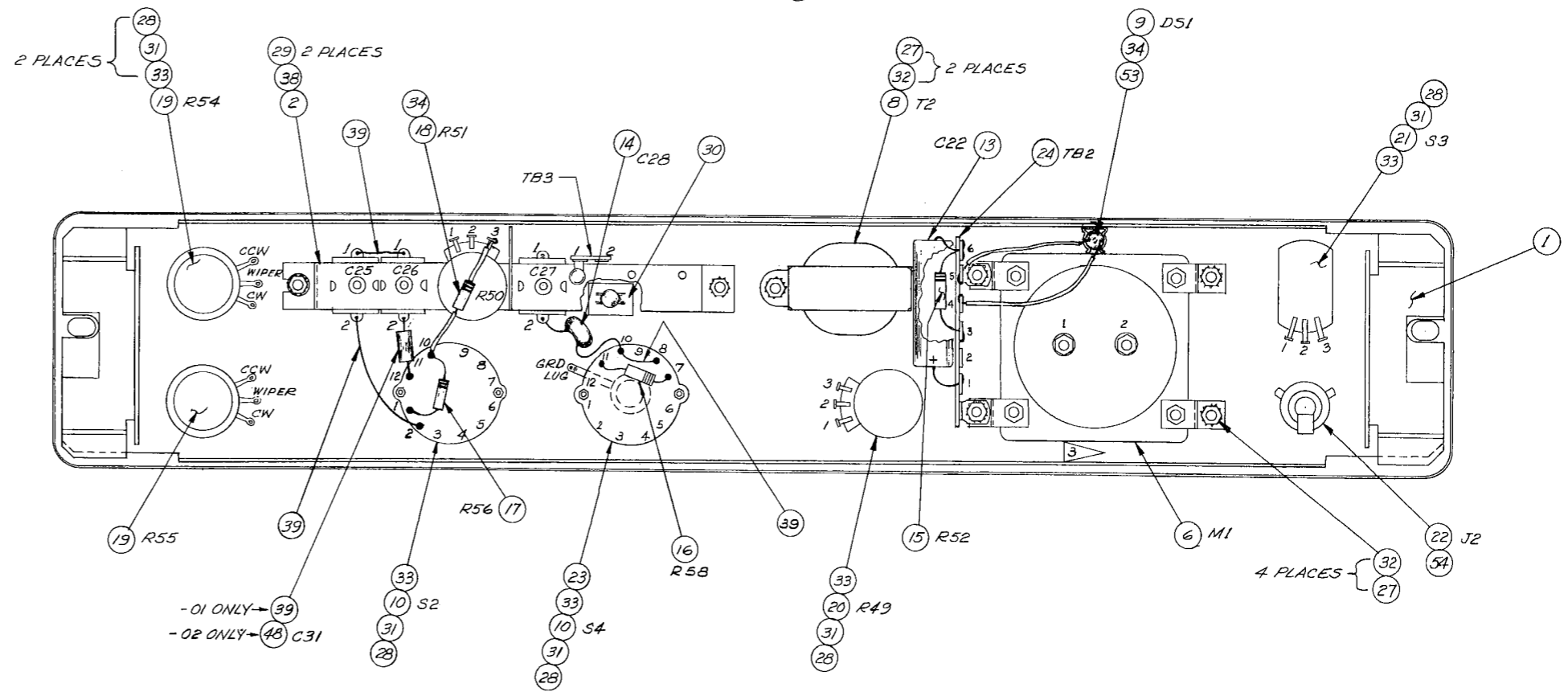


Fig. 7-18. Panel Assembly, rear (International)

FRONT

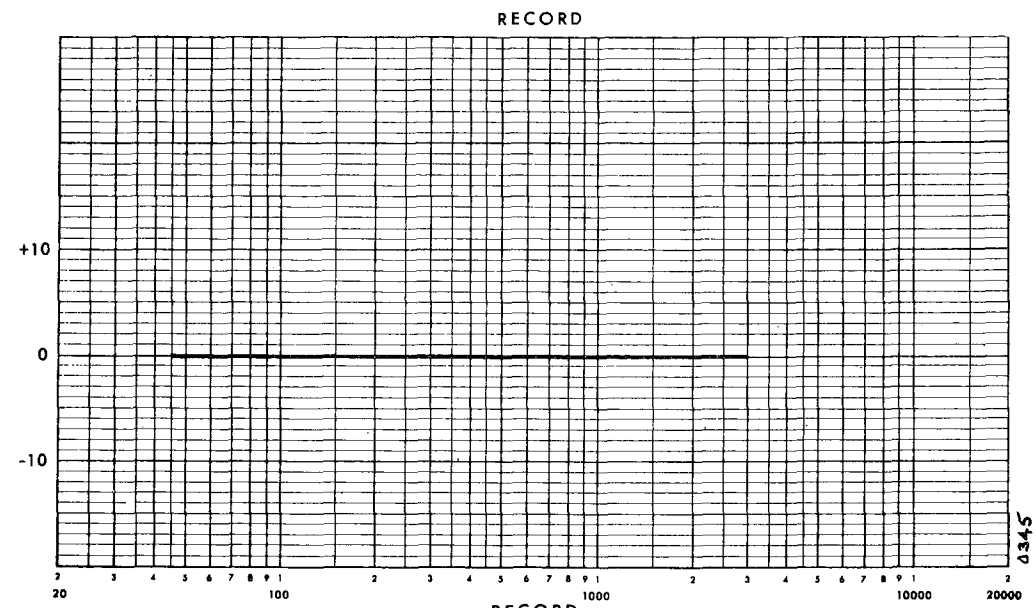


REAR
ROTATED 180°

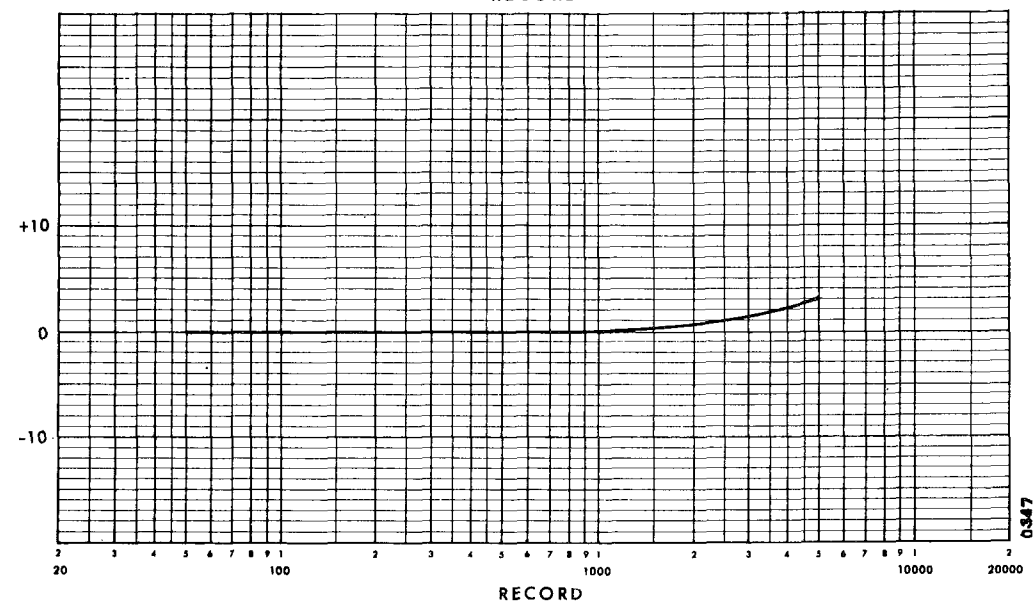
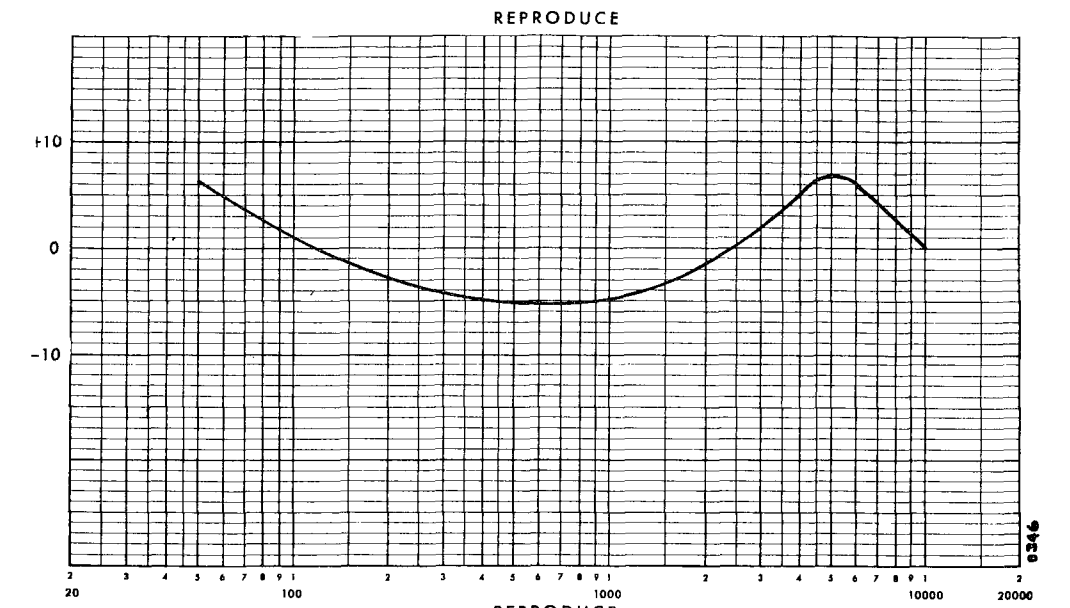


-02 SHOWN
15/16 - 1 7/8 I.R.S.

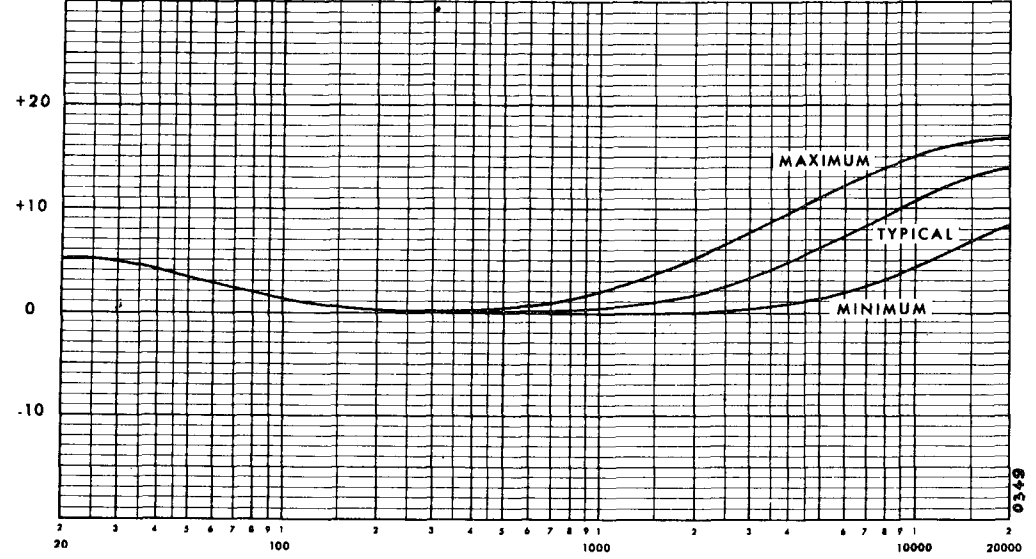
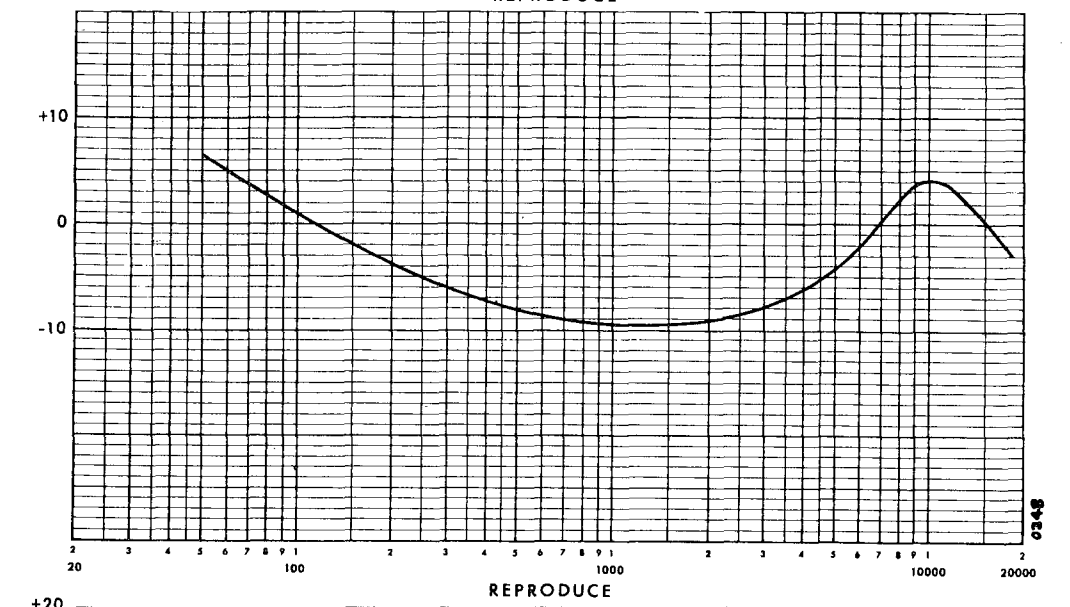
Fig. 7-19. Panel Assembly, front



15/16 ips



1-7/8 ips



3/4 ips (200 usec)



Fig. 7-20. Response Curves, Sheet 1

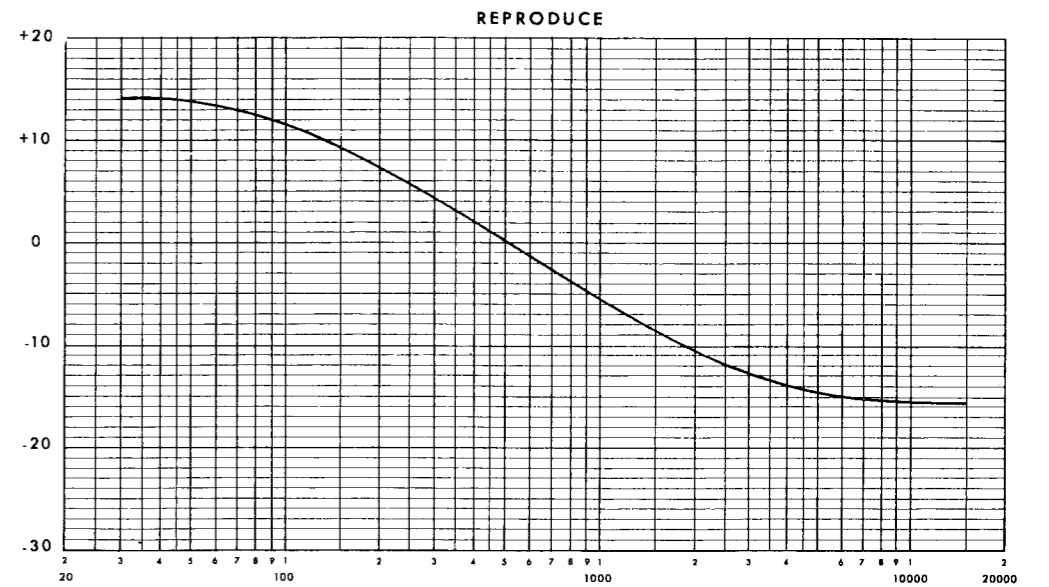
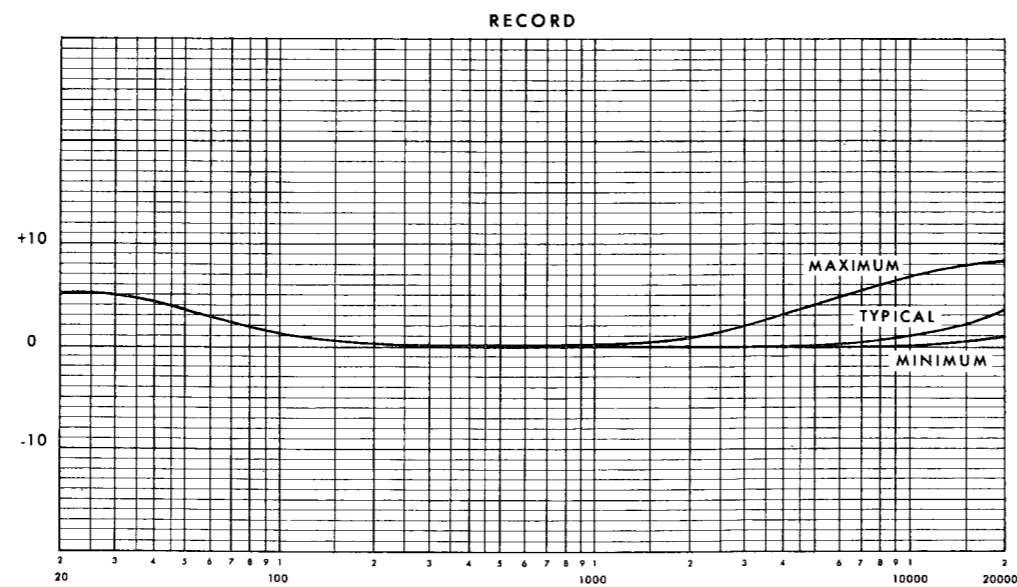
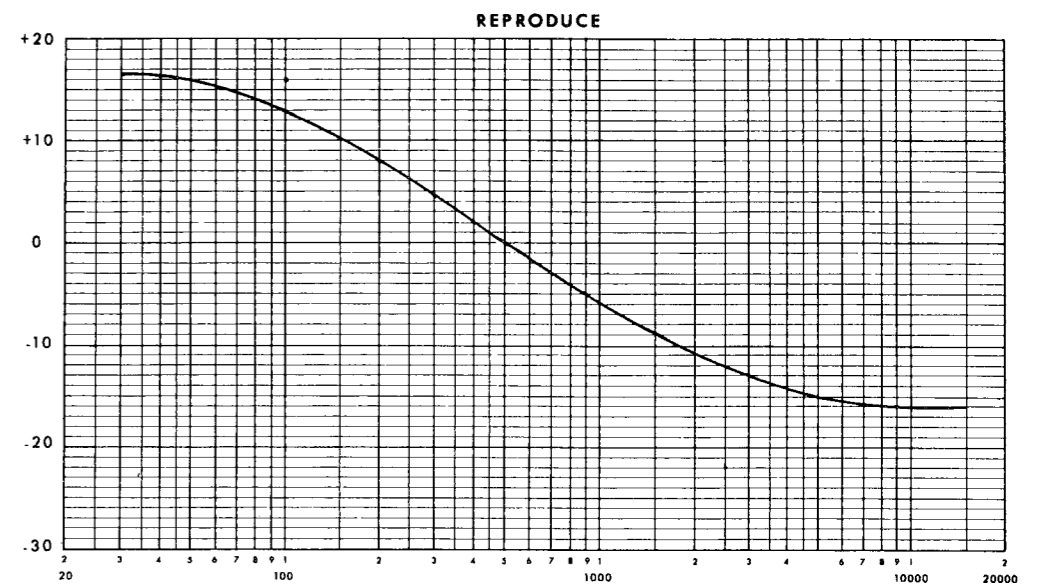
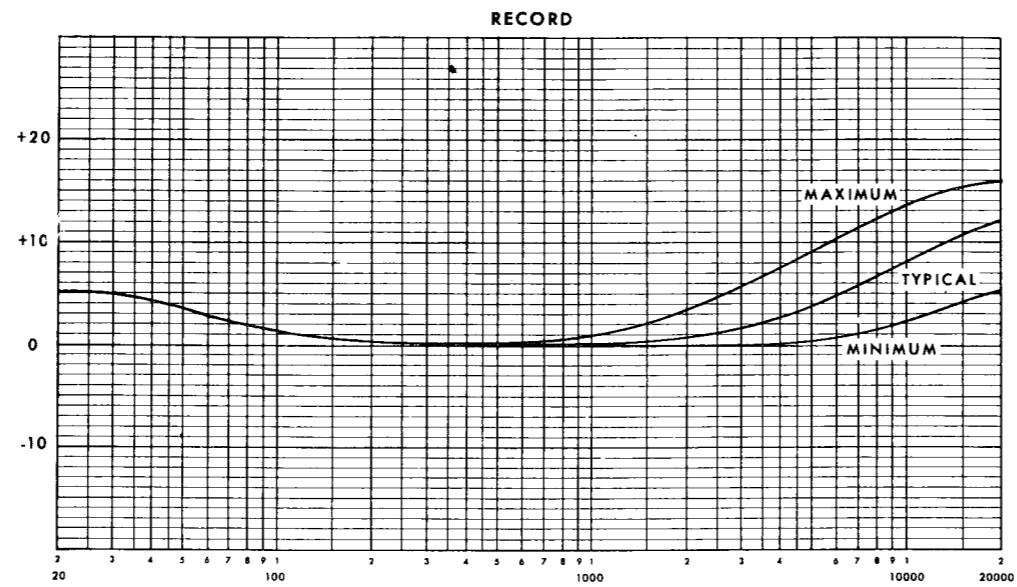
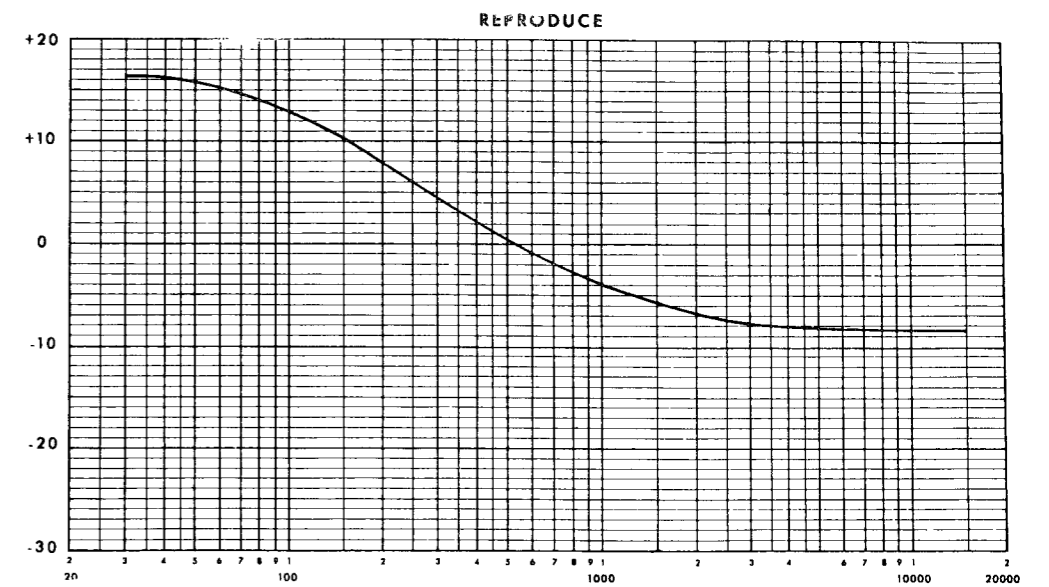
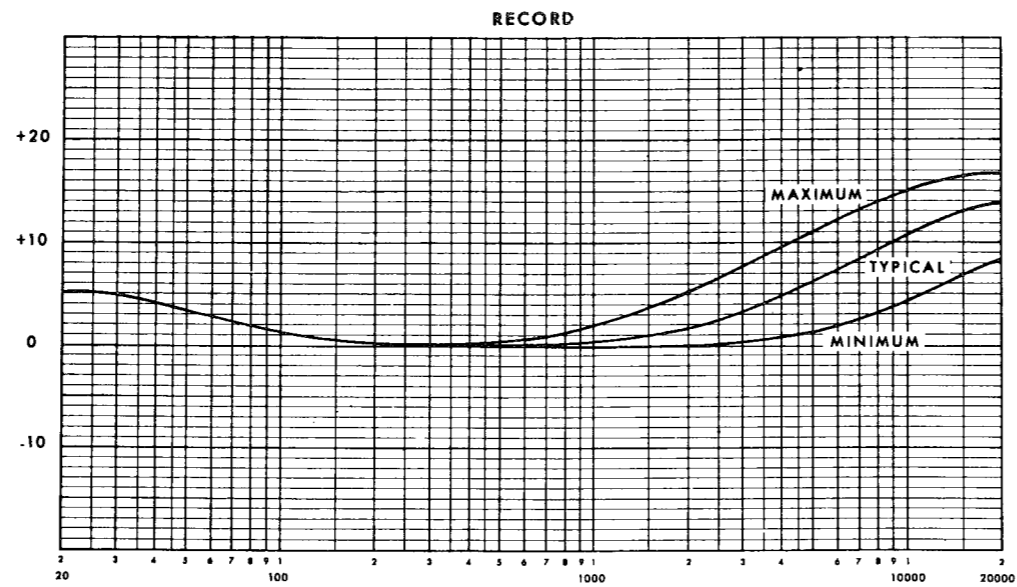
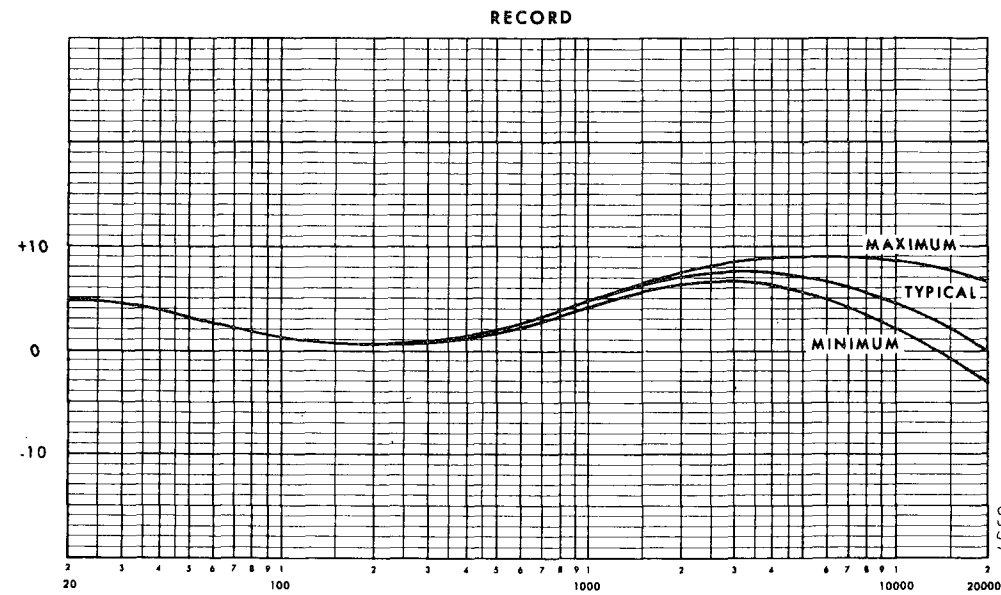
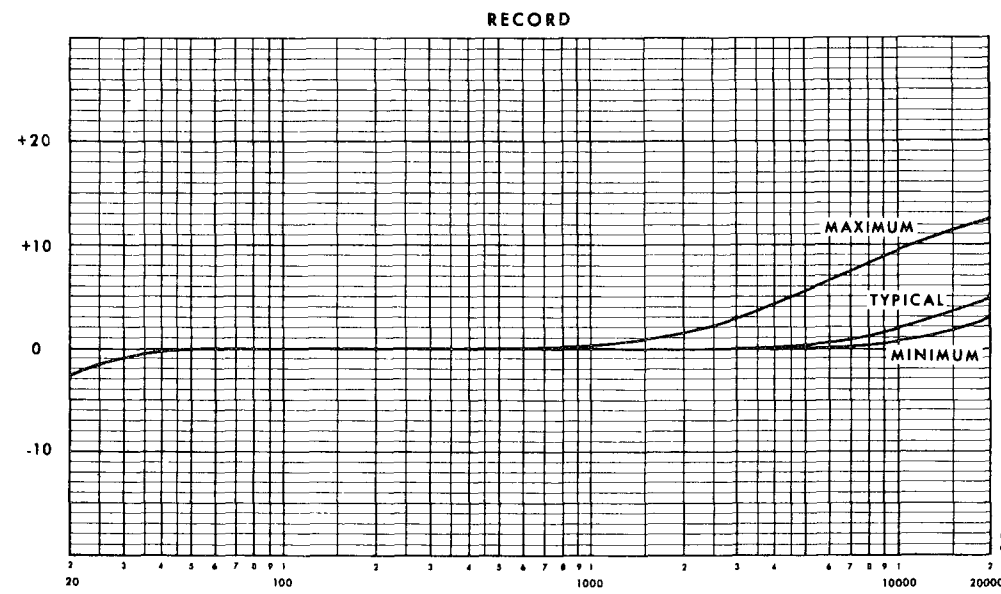
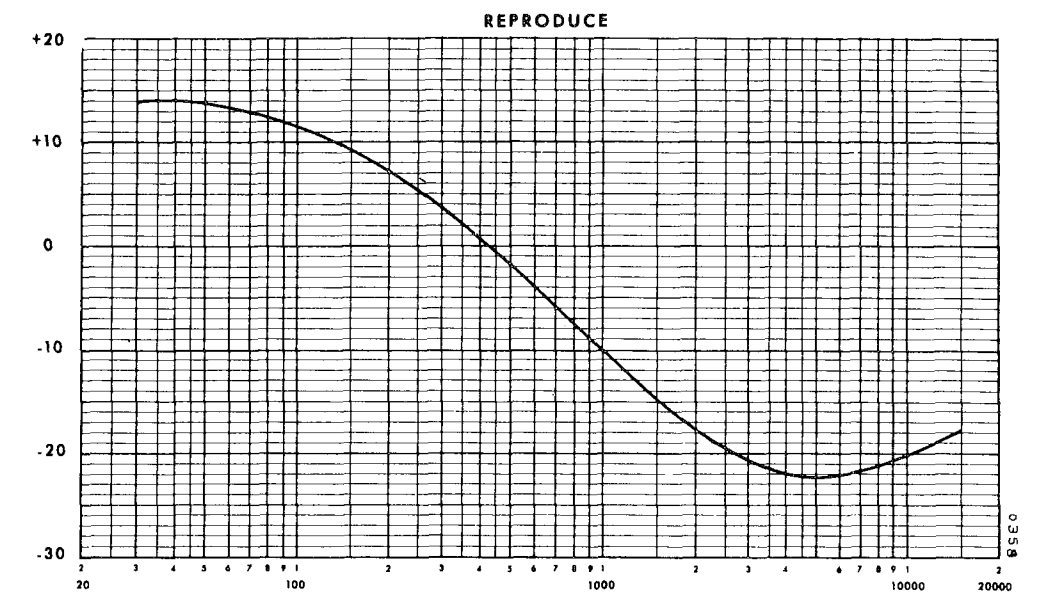


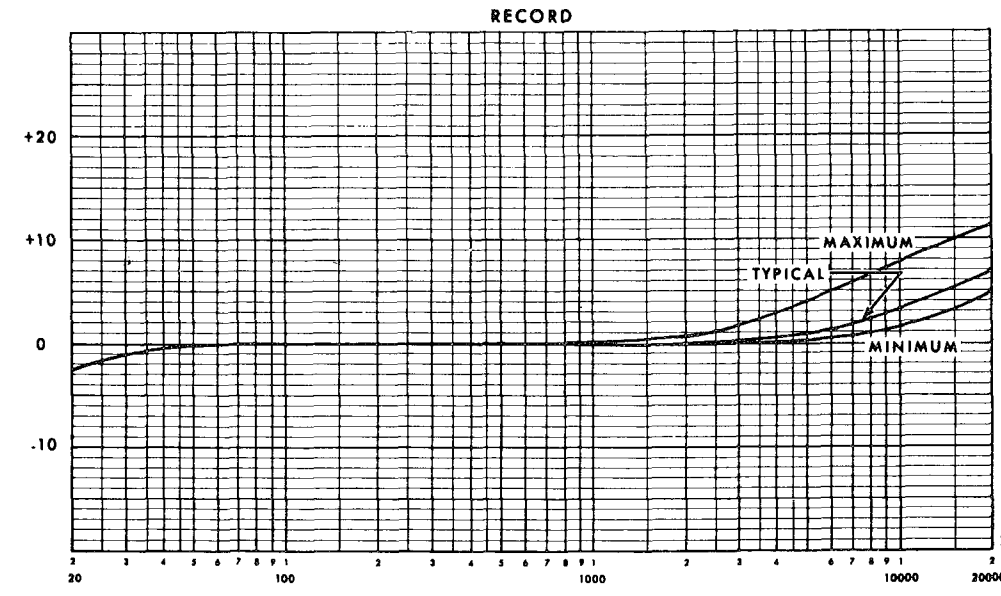
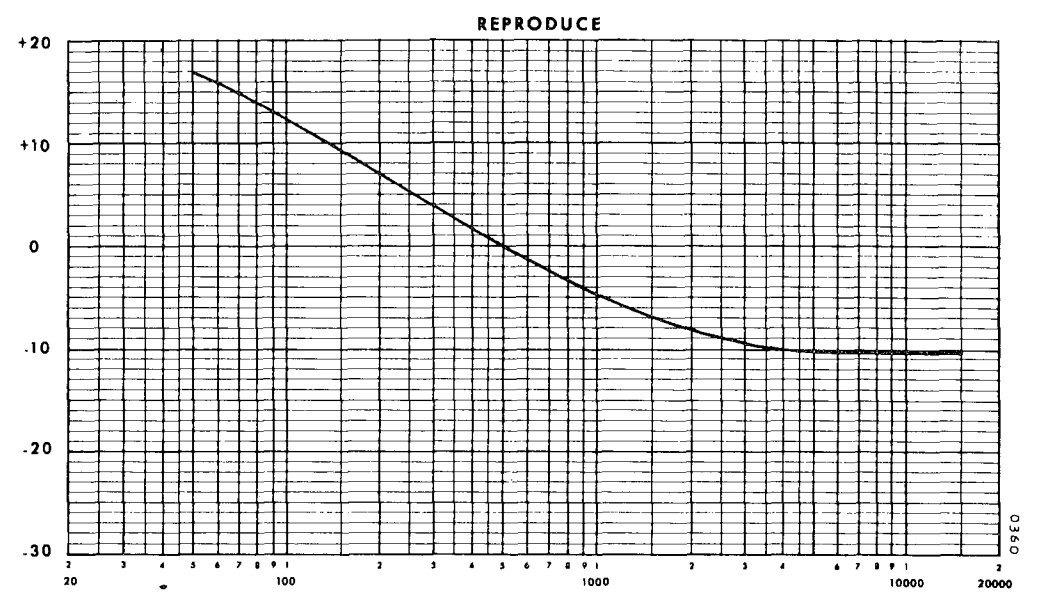
Fig. 7-21. Response Curves, Sheet 2



15 ips AME



7 1/2 ips CCIR



15 ips CCIR

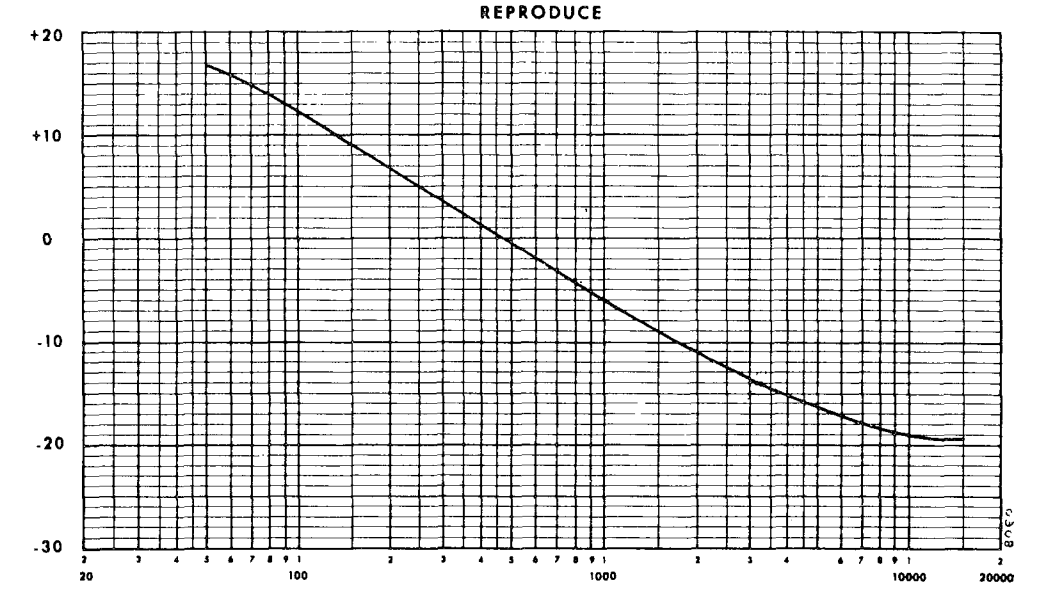


Fig. 7-22. Response Curves, Sheet 3

