

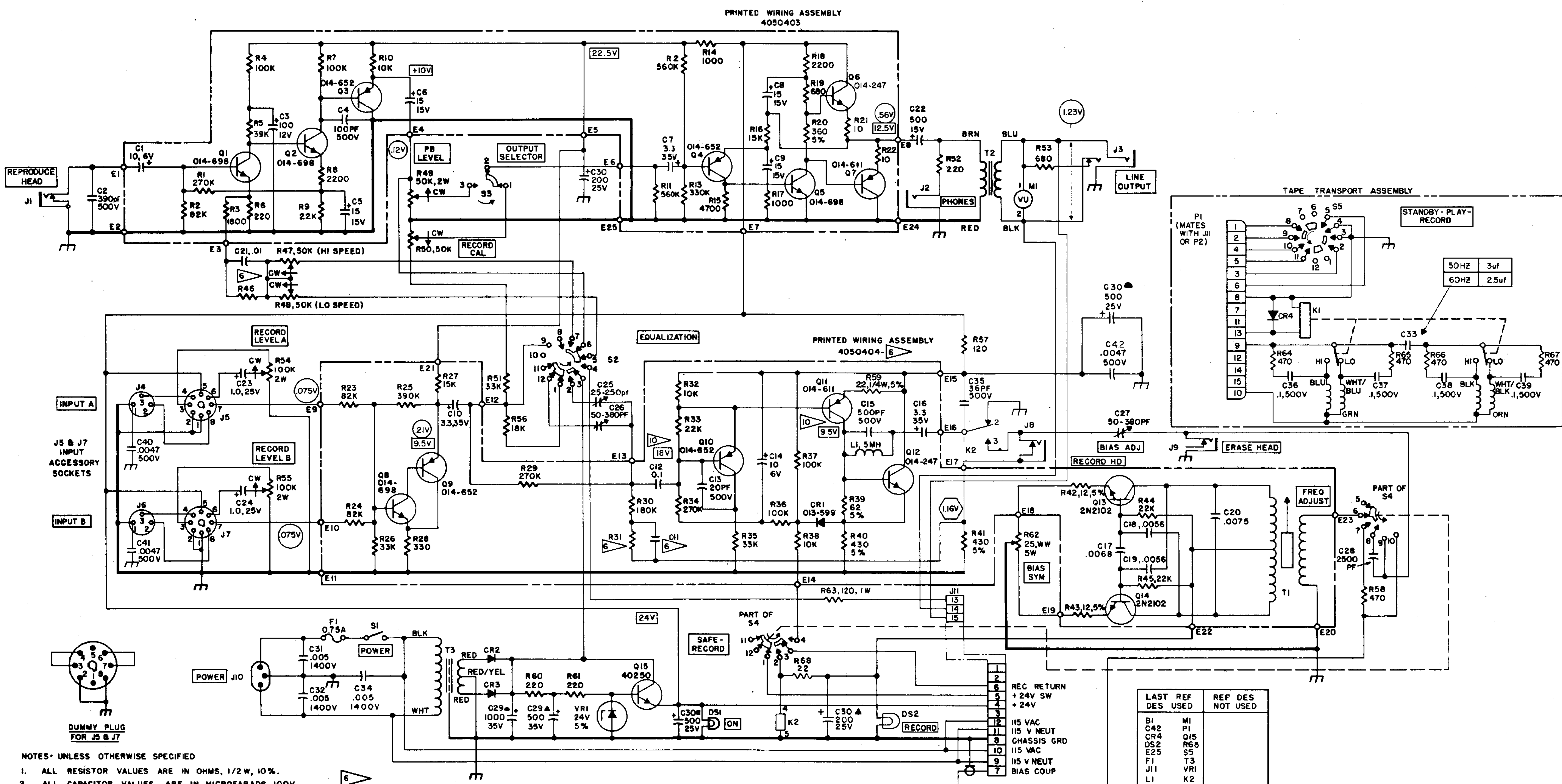
- NOTES: UNLESS OTHERWISE SPECIFIED
1. ALL RESISTOR VALUES ARE IN OHMS, 1/2W, 10%.
 2. ALL CAPACITOR VALUES ARE IN MICROFARADS, 100V.
 3. ALL DIODES ARE TYPE 013-678.
 4. ALL SWITCHES ARE IN CW OR OFF POSITION.
 5. FOR FIELD SERVICE ONLY:
Q1, Q2, Q5, Q8 MAY BE 2N3565 OR 2N3117.
Q3, Q4, Q9, Q10 MAY BE 2N3908.
Q7, Q11 MAY BE 2N3638.
Q12, Q13, Q14 MAY BE 2N2219.

FOR NAB EQUALIZATION		
REF DES	DESCRIPTION	ASSEMBLY
R31	180K	4050404-01
C11	.018	4050404-01

FOR CGIR EQUALIZATION		
REF DES	DESCRIPTION	ASSEMBLY
R31	SHORT	4050404-02
C11	OPEN	4050404-02

LAST REF DES USED	REF DES NOT USED
R66 C35 Q15 CR3 L1 T3 S4 VR1 J11 M1 E25 DS2	P1 J10 S1 C31 C32 R53

Fig. 7-5. Record/Reproduce Schematic Diagram, 3-3/4 to 15 ips, Domestic Equipment



- NOTES: UNLESS OTHERWISE SPECIFIED
1. ALL RESISTOR VALUES ARE IN OHMS, 1/2W, 10%.
 2. ALL CAPACITOR VALUES ARE IN MICROFARADS, 100V.
 3. ALL DIODES ARE TYPE O13-678.
 4. ALL SWITCHES ARE IN CCW OR OFF POSITION.
 5. FOR FIELD SERVICE ONLY:
 Q1, Q2, Q5, Q8 MAY BE 2N3565 OR 2N3117.
 Q3, Q4, Q9, Q10 MAY BE 2N3906.
 Q7, Q11 MAY BE 2N3636.
 Q6 & Q12 MAY BE 2N2219.

FOR NAB EQUALIZATION		
REF DES	DESCRIPTION	ASSEMBLY
R31	180K	4050404
R46	360K, 5%	4050251
C11	.018	4050404

FOR CGIR EQUALIZATION		
REF DES	DESCRIPTION	ASSEMBLY
R31	0	4050404
R46	2.2meg	4050251
C11	OPEN	4050404

7. [XX] INDICATES VOLTS D.C. MEASURED WITH A 20,000Ω/V METER.
 8. [XX] INDICATES VOLTS R.M.S. MEASURED WITH A HIGH IMPEDANCE VTVM AT OPERATING LEVEL OF 1000HZ.
 9. [XX] INDICATES VOLTS R.M.S. MEASURED WITH A HIGH IMPEDANCE VTVM AT BIAS FREQUENCY WITH ELECTRONICS IN RECORD MODE.
- [10] MEASURED WITH ELECTRONICS IN RECORD MODE.

LAST REF DES USED	REF DES NOT USED
B1	M1
C42	P1
CR4	Q15
DS2	R68
E25	S5
F1	T3
J11	VRI
L1	K2

Figure 7-18. Schematic Diagram, Master Electronics (Domestic)

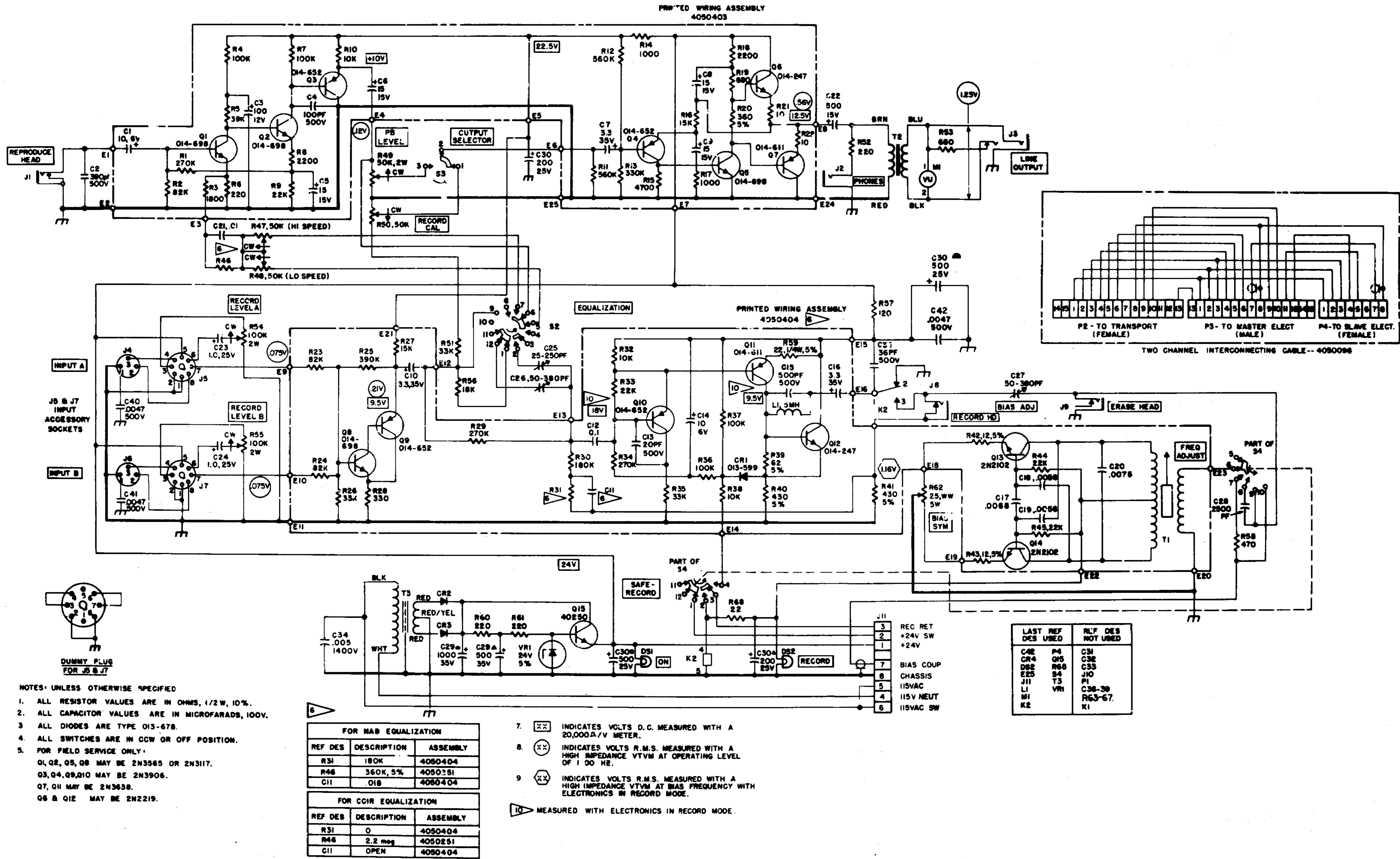


Figure 7-20. Schematic Diagram, Slave Electronics Dwg. No. 4840361