

SWITCH SEQUENCE:
 POS. #1 OFF
 POS. #2 TAPE
 POS. #3 TUNER
 POS. #4 PHONO
 POS. #5 TV

RESISTANCE READINGS

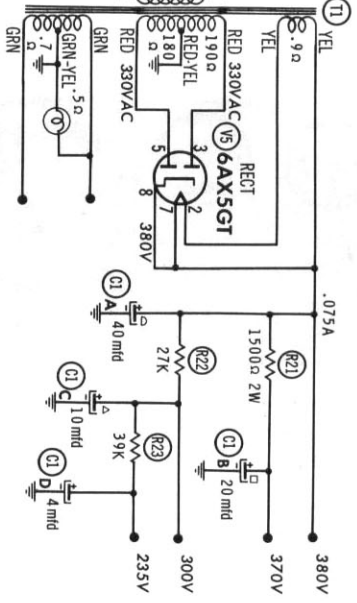
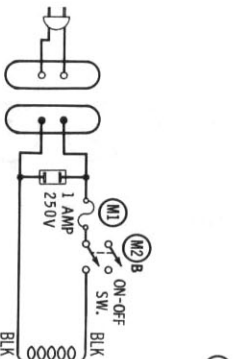
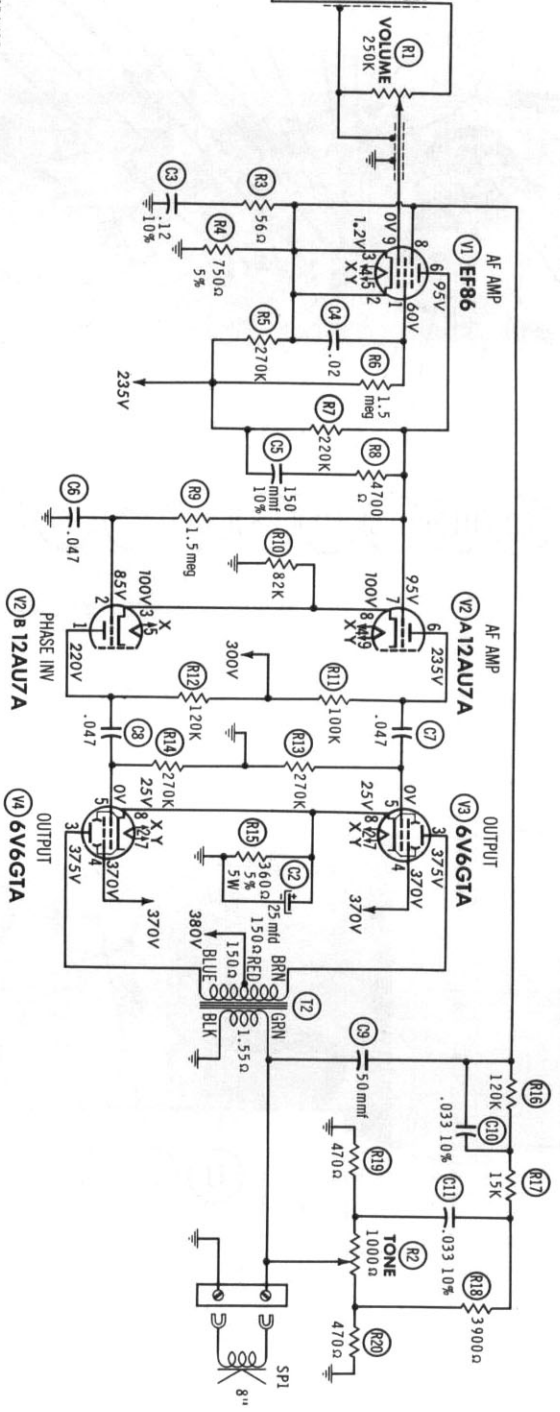
ITEM	TUBE	Pin 1	Pin 2	Pin 3	Pin 4	Pin 5	Pin 6	Pin 7	Pin 8	Pin 9
V1	6E86	+1.6 meg	750 Ω	750 Ω	FIL	FIL	+290K	NC	750 Ω	0 Ω
V2	12AU7A	+1.50K	+1.8 meg	82K	FIL	FIL	+130K	+290K	82K	FIL
V3	6V6G1A	TP	FIL	+150 Ω	+1500 Ω	270K	NC	FIL	360 Ω	FIL
V4	6V6G1A	TP	FIL	+150 Ω	+1500 Ω	270K	NC	FIL	360 Ω	FIL
V5	6AX5	NC	FIL	200 Ω	NC	200 Ω	NC	FIL		

NC NO CONNECTION TP TIE POINT

† MEASURED FROM PIN 8 OR V5

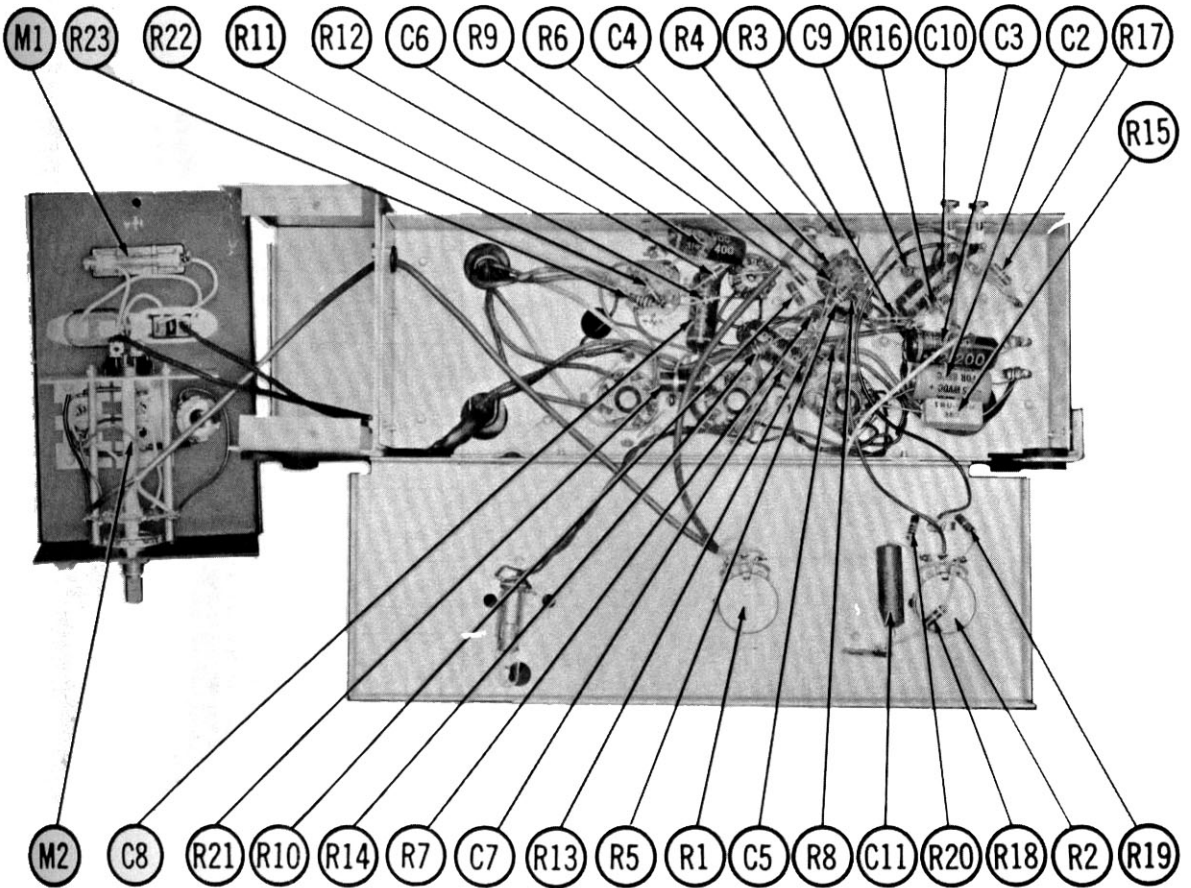
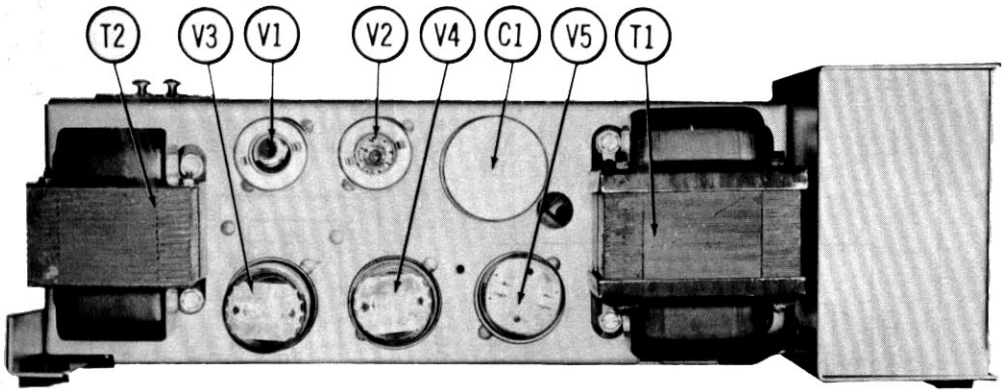
‡ READING WILL VARY DUE TO CONDITION OF THE ELECTROLYTICS.

1. Voltage measurements taken with vacuum tube voltmeter.
2. All controls set for normal operation, no signal applied.
3. Measured values are from socket pin or terminal to common ground.
4. All terminals viewed from bottom unless otherwise designated.
5. Numbers assigned to terminals may not be found on the unit.
6. Supply voltage maintained at rated value for voltage readings.



A PHOTOFACT STANDARD NOTATION SCHEMATIC

©Howard W. Sams & Co., Inc. 1963



MODEL 2012 CHASSIS PHOTOS

PARTS LIST AND DESCRIPTION

MODEL 2012

TUBES

♦ AMPEREX ♦			GENERAL ELECTRIC ♦			RCA ♦			RAYTHEON ♦			SYLVANIA ♦		
ITEM No.	USE	TYPE		ITEM No.	USE	TYPE			USE	TYPE				
V1	AF Amp.	EF86		V4	Output Rectifier	6V6GTA (6V6)*				6V6GTA (6V6)*				
V2	AF Amp. -Phase Inv.	12AU7A (12AU7)*		V5	Rectifier	6AX5GT (6AX5)*				6AX5GT (6AX5)*				
V3	Output	6V6GTA (6V6)*												

* Alternate

ELECTROLYTIC CAPACITORS

ITEM No.	RATING		REPLACEMENT DATA							
	CAP.	VOLT.	AMPEX PART No.	AEROVOX PART No.	CORNELL-DUBILIER PART No.	GENERAL ELECTRIC PART No.	MALLORY PART No.	PYRAMID PART No.	SPRAGUE PART No.	
C1A	▲ 40	450	55-0013	AFH4-18	D0170	XC4-8	FP444, 54	TMQ4637	TVL-4822	
B	■ 20	450								
C	▲ 10	450								
D	4	350								
C2	25	25	55-0007	PRS1260	BBR25-25	MT1-11	TC-26	TD-25-25	TVA-1205	

FIXED CAPACITORS

ITEM No.	RATING	REMARKS	REPLACEMENT DATA					
			AEROVOX PART No.	CENTRALAB PART No.	CORNELL-DUBILIER PART No.	ELMENCO PART No.	MALLORY PART No.	SPRAGUE PART No.
C3	.12 10% 200V		BPD-02	DD-203	PM2P1	2DP-3-104	PVC201	2TM-P10
C4	.02		DI-150	DD-151	BYB6S2	CCD-203	GP120	10TS-S20
C5	150 10%		P488N-047	DD-503	LI0T15	CCD-151	GP315	10TS-T15
C6	.047 400V		P488N-047	DD-503	CUB4S47	4DP-3-473	PVC4147	4PS-S47
C7	.047 400V		P488N-047	DD-503	CUB4S47	4DP-3-473	PVC4147	4PS-S47
C8	.047 400V		P488N-047	DD-503	CUB4S47	4DP-3-473	PVC4147	4PS-S47
C9	50		CI-51	DD-500	LI0Q5	CCD-500	GP450	10TS-Q50
C10	.033 10% 200V		BE4S33	DD-303	PM4S33	4DP-2-333	PVC2133	6TM-S33
C11	.033 10% 200V		BE4S33	DD-303	PM4S33	4DP-2-333	PVC2133	6TM-S33

PARTS LIST AND DESCRIPTION (CONTINUED)

MODEL 2012

CONTROLS

All wattages 1/2 watt, or less, unless otherwise listed.

ITEM No.	USE	RESISTANCE	REPLACEMENT DATA				
			AMPEX PART No.	CENTRALAB PART No.	CLAROSTAT PART No.	CTS-IRC PART No.	MALLORY PART No.
R1	Volume	250K	52-0007-B	B-51, or (F2-250K, SU204)	A47-250K-Z, FS-3	Q13-130, or (BU2, CF23, SSI, DC1)*	U-44, (UA254A, SF1000)
R2	Tone	1000Ω	52-0008	B-5, or (F1-1000, SU204)			U-4 or (UA131L, SF1000)

* "SNAPTROL"

RESISTORS (Power and Special)

ITEM No.	RATING	REPLACEMENT DATA			ITEM No.	RATING	REPLACEMENT DATA		
		IRC PART No.	WORKMAN PART No.	REMARKS			IRC PART No.	WORKMAN PART No.	REMARKS
R15	360Ω 5% 5W	PW5-360	5W-SQ-360						

TRANSFORMER (POWER)

ITEM No.	RATING			REPLACEMENT DATA					NOTES
	PRI.	SEC. 1	SEC. 2	AMPEX PART No.	MERIT PART No.	STANCOR PART No.	THORDARSON PART No.	TRIAD PART No.	
T1	117VAC @ .54A	860VCT @ .075A DC	6.3VAC @ 1.2A	58-0004					
	SEC. 3	SEC. 4	SEC. 5						
	6.3VCT @ 1.5A								

TRANSFORMER (AUDIO OUTPUT)

ITEM No.	IMPEDANCE		REPLACEMENT DATA					NOTES
	PRI.	SEC.	AMPEX PART No.	MERIT PART No.	STANCOR PART No.	THORDARSON PART No.	TRIAD PART No.	
T2	9000Ω CT	10-12Ω	58-0005					

SPEAKER

ITEM No.	TYPE	REPLACEMENT DATA		NOTES
		AMPEX PART No.	QUAM PART No.	
SP1	8" PM 10-12Ω		8A6PA	

FUSES

ITEM No.	TYPE	RATING	REPLACEMENT DATA					
			AMPEX PART No.		LITTELFUSE PART No.		BUSS PART No.	
			FUSE	HOLDER	FUSE	HOLDER	FUSE	HOLDER
M1	3AG	1½A 250V			31201.5 (3AG 1½A250V)	357001	AGC 1½	4405

MISCELLANEOUS

ITEM No.	PART NAME	AMPEX PART No.	NOTES
M2A B	Switch Switch		Input Selector (Rotary Wafer Type) Power On-Off

WIRING DATA

General-use Unshielded Hook-up Wire	Use BELDEN No. 8530 (Solid) Available in 12 Colors 8524 (Stranded) Available in 12 Colors
Power Cord	Use BELDEN No. 17106 (Plastic) or 17126 (Rubber) - 6 Ft. 171C9 (Plastic) or 17129 (Rubber) - 9 Ft.
Power Cord (Interlock Type)	Use BELDEN No. 8874 (Rubber) or 8895 (Plastic)
Low-Loss Shielded Lead (Interconnecting)	Use BELDEN No. 8401 or 8421
Phono Pick-up Arm Cable	Use BELDEN No. 8430 (Two Conductor-Unshielded) 8429 (Two Conductor-Shielded) 8419 (Three Conductor-Shielded)