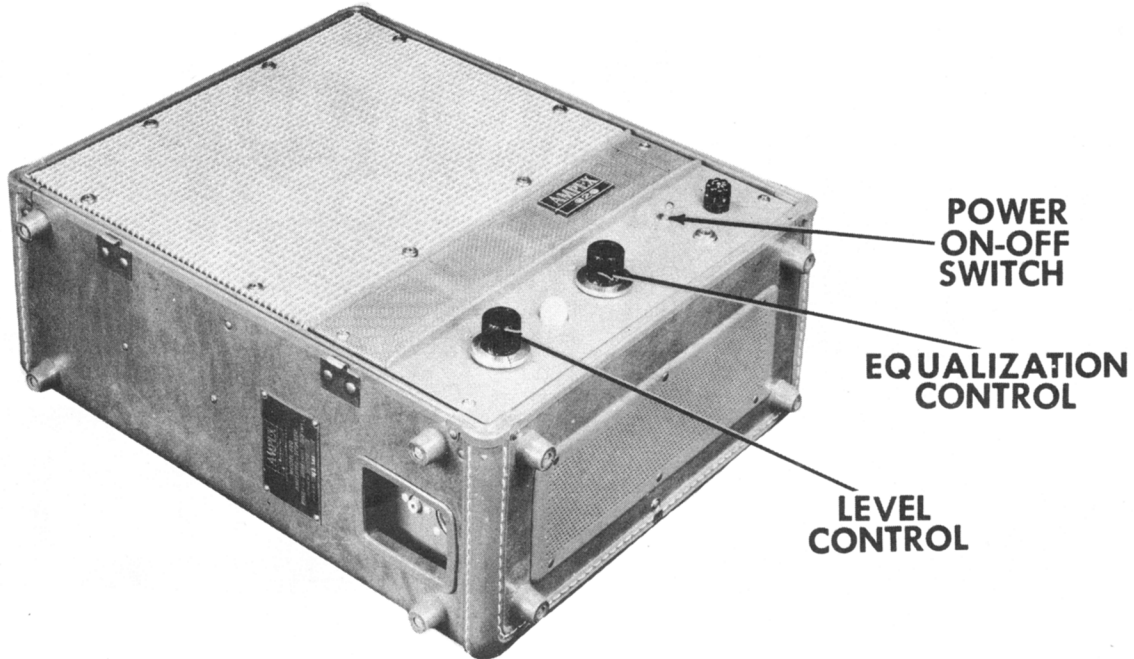




AMPEX
MODEL 620



AMPEX
MODEL 620

TRADE NAME	Ampex Model 620	
MANUFACTURER	Ampex Corp., 934 Charter St., Redwood City, Calif.	
TYPE SET	AC Operated Portable 10 Watt Audio Amplifier	
TUBES (Five)	Types 5879 AF Amp., 12AU7 AF Amp.-Phase Inverter, (2) 6V6GT Output, 6AX5GT Rectifier	
POWER SUPPLY	110-120 Volts AC-50/60 Cycles	RATING .47 Amp. @ 117 Volts AC

FOR SERVICE INFORMATION ON THE AMPEX RECORDER MODEL 600, SOMTIMES USED IN CONJUNCTION WITH THE AMPEX MODEL 620 AMPLIFIER SEE FOLDER 2 IN THIS SET.

HOWARD W. SAMS & CO., INC. • Indianapolis 5, Indiana

"The listing of any available replacement part herein does not constitute in any case a recommendation, warranty or guaranty by Howard W. Sams & Co., Inc., as to the quality and suitability of such replacement part. The numbers of these parts have been compiled from information furnished to Howard W. Sams & Co., Inc., by the manufacturers of the particular type of replacement part listed."
"Reproduction or use, without express permission, of editorial or pictorial con-
G-183

tent, in any manner, is prohibited. No patent liability is assumed with respect to the use of the information contained herein. Copyright 1956 by Howard W. Sams & Co., Inc., Indianapolis 5, Indiana, U. S. of America. Copyright under international Copyright Union. All rights reserved under Inter-American Copyright Union (1910) by Howard W. Sams & Co., Inc." Printed in U. S. of America

PARTS LIST AND DESCRIPTIONS TUBES (GENERAL ELECTRIC, SYLVANIA)

AMPEX
Model 620

ITEM No.	USE	REPLACEMENT DATA		NOTES
		AMPEX PART No.	STANDARD REPLACEMENT	
V1	AF Amplifier	5879	5879	
V2	AF Amplifier-Phase Inv.	12AU7	12AU7	
V3	Output	6V6GT	6V6GT	
V4	Output	6V6GT	6V6GT	
V5	Rectifier	6AX5GT	6AX5GT	

ELECTROLYTIC CAPACITORS

ITEM No.	RATING CAP. VOLT.	REPLACEMENT DATA						SPRAGUE PART No.
		AMPEX PART No.	AEROVOX PART No.	CORNELL DUBILIER PART No.	MALLORY PART No.	PYRAMID PART No.	SANGAMO PART No.	
C1A	40	CO-418	A FH2-56	B044	FP238	TM-4020-450	D-230	TYL-3780
C2	10	CO-55	PR6450V10	BR1045	TC72	TD-10-450	FM-4510	TYA-1705
C3	4	CO-54	PR6450V4	BR445	TC70	TD-4-450	FM-4504	TYA-1702
C4	25	CO-59	PR625V25	BR252	TC26	TD-25-25	FM-0225	TYA-1205

FIXED CAPACITORS

Capacity values given in the rating column are in mfd. for Paper Capacitors, and in mmfd. for Mica and Ceramic Capacitors.

ITEM No.	RATING CAP. VOLT.	REPLACEMENT DATA						NOTES
		AMPEX PART No.	AEROVOX PART No.	CENTRALAB PART No.	CORNELL DUBILIER PART No.	ERIC PART No.	MALLORY PART No.	
C5	1000	CO-20	SI1000	D6-102	1W5D1	GP2L-102	MC255	1FM-21
C6	100	CO-17	NPO-31100	TCZ-100	5R5T1	NPO-337-101	MC235	MS-31
C7	1	CO-284	P488N-1	DF-104	CUB4P1	DF-104	PT401	4TM-P1
C8	.047	CO-332	BPD-05	DF-503	CUB4S47	DF-503	PT4147	4TM-S47
C9	.047	CO-332	BPD-05	DF-503	CUB4S47	DF-503	PT4147	4TM-S47
C10	20000		BPD-02	DD-203	K085	817-02	5HK-S2	5HK-S2
C11	20000		BPD-02	DD-203	K085	817-02	5HK-S2	5HK-S2
C12	.1							

CONTROLS

ITEM No.	RATING RESIST. ANCE WATTS	REPLACEMENT DATA				INSTALLATION NOTES	
		AMPEX PART No.	CENTRALAB PART No.	CLAROSTAT PART No.	IRC PART No.		MALLORY PART No.
R1A	25KΩ	RE-673	AB-28	A47-25K-W	Q13-120	U-28A	Level
R2A	50KΩ	Not Req.	AK-9	RS-2	Not Req.	Not Req.	Attach to R1A
R3A	50KΩ	RE-482	AB-31	A47-50K-S	Q11-123	U-35	Equalization
R4	50KΩ	Not Req.	AK-9	RS-2	Not Req.	Not Req.	Attach to R2A

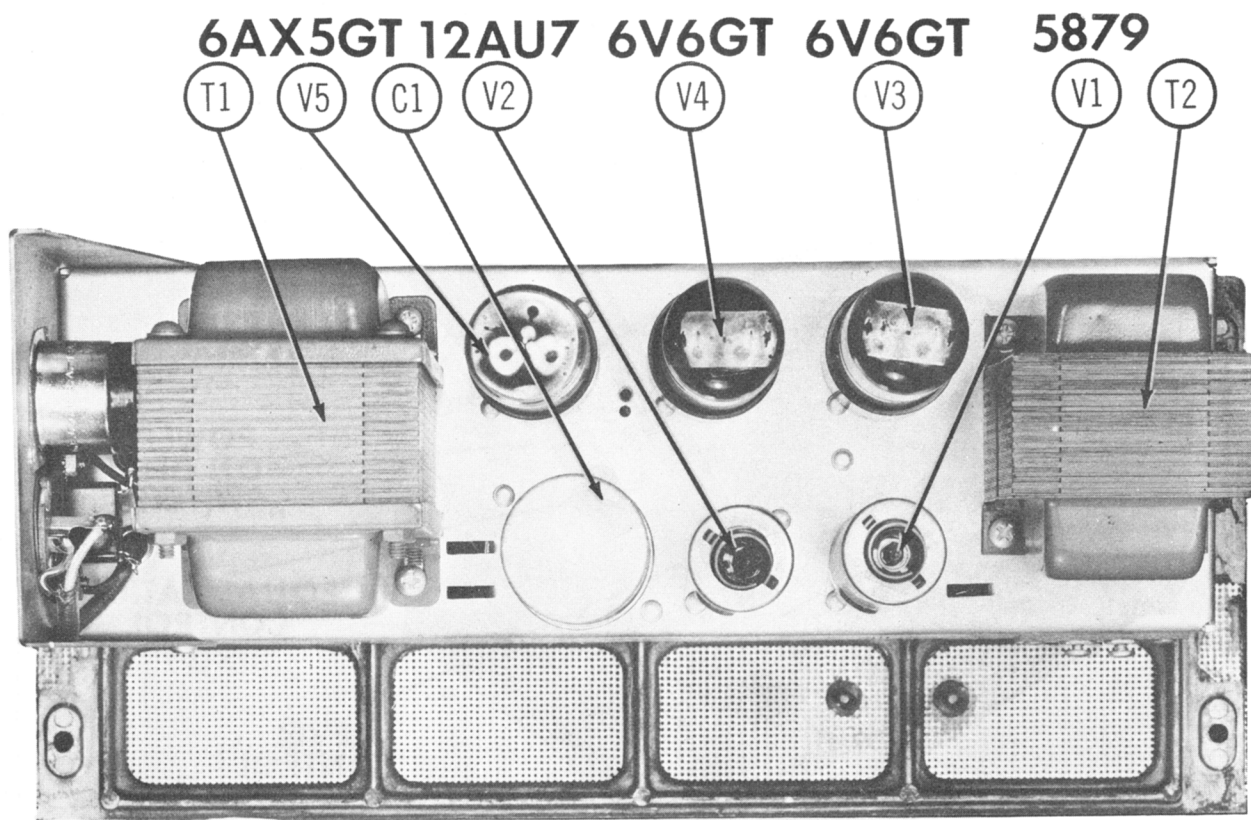
RESISTORS

ITEM No.	RATING OHMS WATT	REPLACEMENT DATA		NOTES
		AMPEX PART No.	IRC PART No.	
R3	33KΩ	RE-295	BTS-33K	Note 1
R4	22KΩ	RE-295	BTS-22K	Note 1
R5	180KΩ	RE-652	BTS-180K	Note 1
R6	180KΩ	RE-652	BTS-180K	Note 1
R7	120KΩ	RE-716	BTS-120K	Note 1
R8	33KΩ	RE-295	BTS-33K	Note 1
R9	750Ω 5%	RE-592	BTS-750 5%	Note 2
R10	39KΩ	RE-553	BTS-39K	Note 2
R11	100KΩ	RE-300	BTS-100K	Note 2
R12	1.5Meg	RE-340	BTS-1.5Meg	Note 2

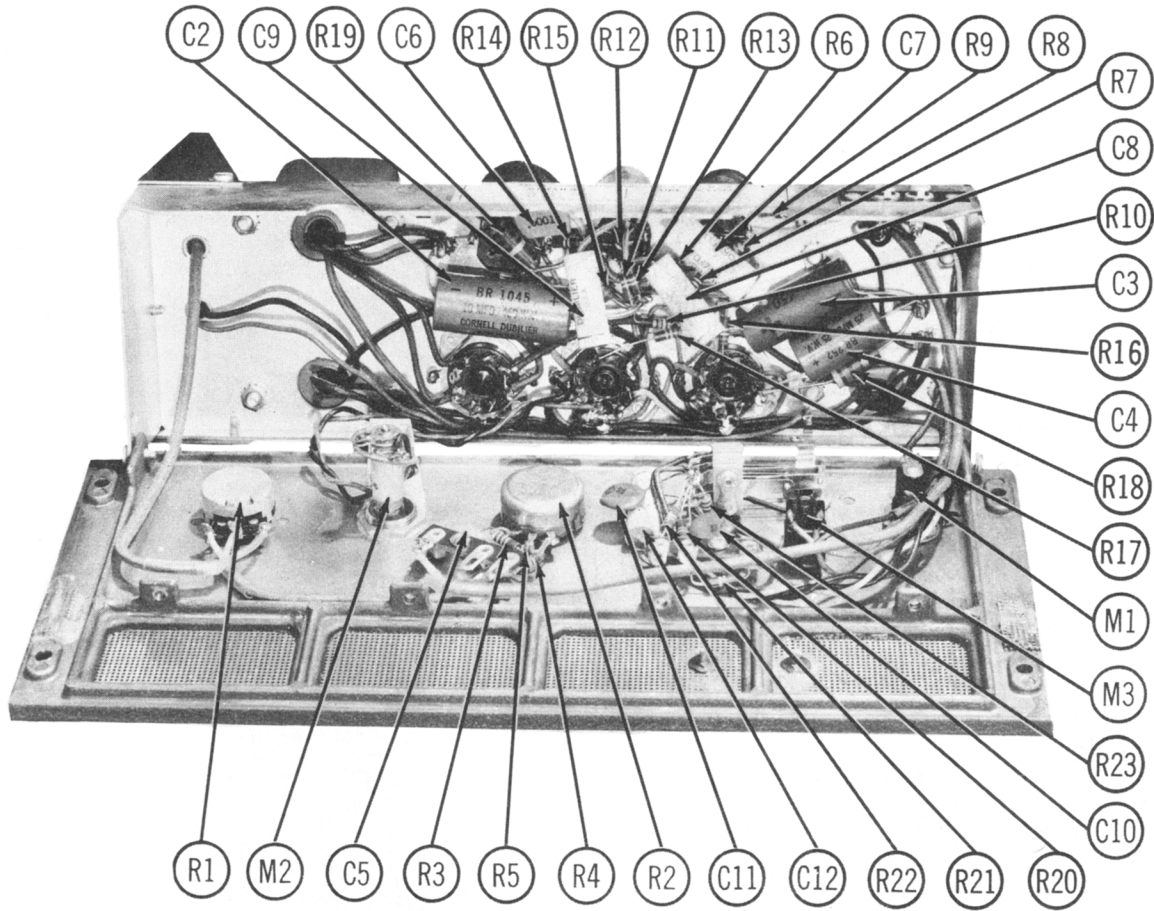
Note 1. Some version use a 33KΩ, 1/2 watt resistor in this application (part #RE-295).

Note 2. Some versions use a 390Ω, 5%, 2 watt resistor in this application (part #RE-510).

CHASSIS—TOP VIEW



CHASSIS—BOTTOM VIEW



PARTS LIST AND DESCRIPTIONS (Continued)

TRANSFORMER (POWER)

ITEM No.	RATING			REPLACEMENT DATA				
	PRI.	SEC. 1	SEC. 2	AMPEX PART No.	Halldorson PART No.	Merit PART No.	Stancor PART No.	Triad PART No.
T1	117VAC @ .47A	668VCT .070ADC @ 1.12A	6.3VAC @ 1.37A	BB402				

TRANSFORMER (AUDIO OUTPUT)

ITEM No.	IMPEDANCE		REPLACEMENT DATA				NOTES
	PRI.	SEC.	AMPEX PART No.	Halldorson PART No.	Merit PART No.	Stancor PART No.	
T2	8.5KΩ	13.4Ω	B-9403				

SPEAKER

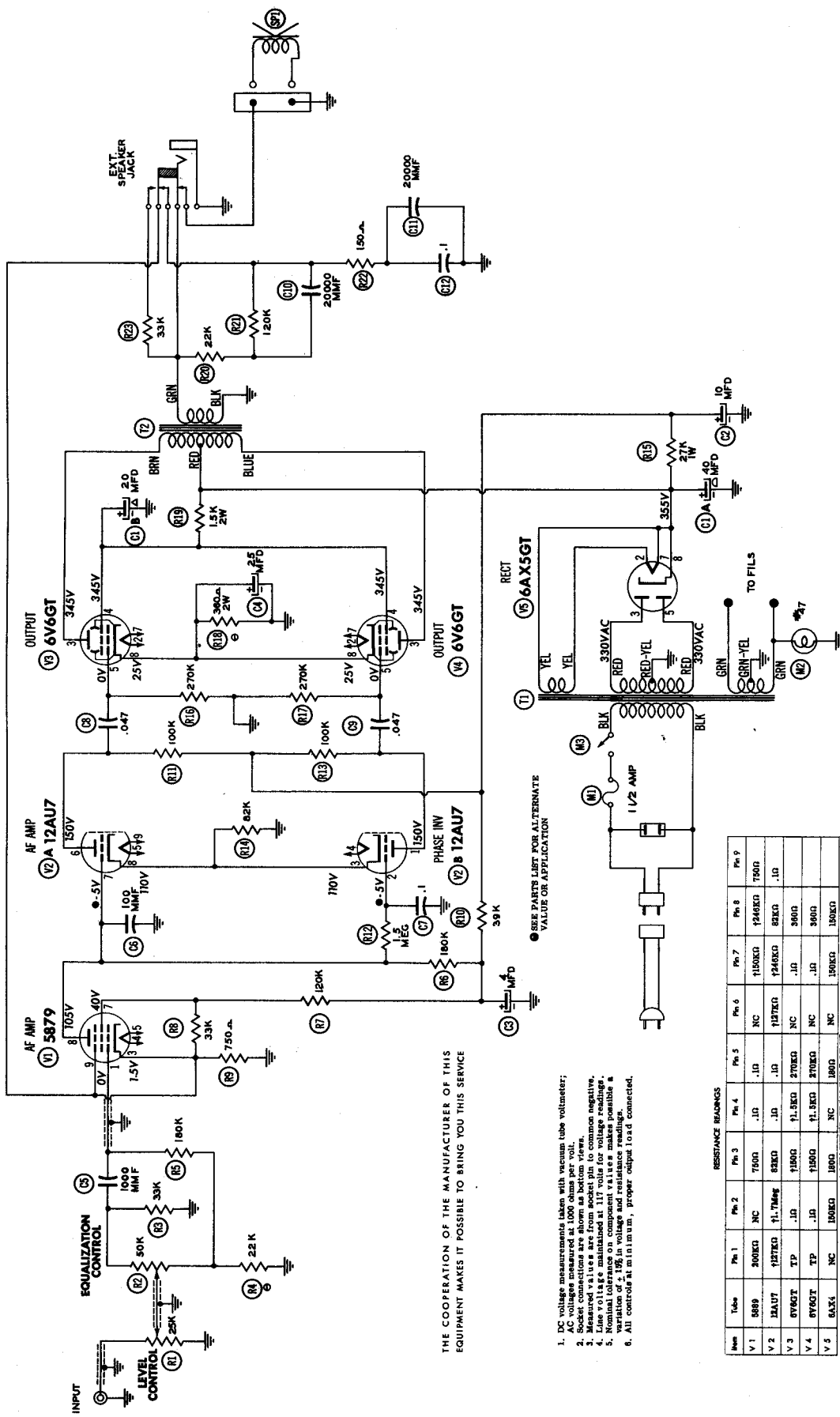
ITEM No.	RATINGS		REPLACEMENT DATA		NOTES
	SIZE	FIELD	AMPEX PART No.	QUAM PART No.	
SP1	8"	PM	5Q-1B	8A6Z131LF	

FUSES

ITEM No.	TYPE	RATING	REPLACEMENT DATA				
			AMPEX PART No.	LITTELFUSE PART No.	BUSS PART No.	HOLDER	
M1	SAG	1 1/2A 250V	FU-1	31201.5 (SAG 1 1/2A)	342008	AGC 1 1/2	HKP

MISCELLANEOUS

ITEM No.	PART NAME	AMPEX PART No.	NOTES
M2 M3	Pilot Light Switch Case	LA-5 D-9404	#47 Power (on-off) Complete with hardware



THE COOPERATION OF THE MANUFACTURER OF THIS EQUIPMENT MAKES IT POSSIBLE TO BRING YOU THIS SERVICE

1. DC voltage measurements taken with vacuum tube voltmeters;
2. AC voltages measured at 1000 ohms per volt.
3. Socket connections are shown as bottom views.
4. Measured values are from socket pin to common negative.
5. Nominal tolerance on component values makes possible a variation of $\pm 1\%$ in voltage and resistance readings.
6. All controls at minimum, proper output load connected.

SEE PARTS LIST FOR ALTERNATE VALUE OR APPLICATION

RESISTANCE READINGS

Pin	Tube	Pin 1	Pin 2	Pin 3	Pin 4	Pin 5	Pin 6	Pin 7	Pin 8	Pin 9
V1	5879	200K Ω	NC	700 Ω	.1 Ω	NC	1150K Ω	1240K Ω	1240K Ω	750 Ω
V2	12AU7	127K Ω	11.7M Ω	83K Ω	.1 Ω	1127K Ω	1240K Ω	82K Ω	82K Ω	.1 Ω
V3	6V6GT	TP	.1 Ω	1150 Ω	11.5K Ω	270K Ω	NC	.1 Ω	960 Ω	NC
V4	6V6GT	TP	.1 Ω	1150 Ω	11.5K Ω	270K Ω	NC	.1 Ω	960 Ω	NC
V5	6V6GT	NC	150K Ω	150 Ω	NC	150K Ω	NC	150K Ω	150K Ω	150K Ω

MEASURED FROM PIN 7 OF V1.
 * MEASURED FROM PIN 6 OF V2.
 NC - NO CONNECTION.
 TP - TIE POINT.