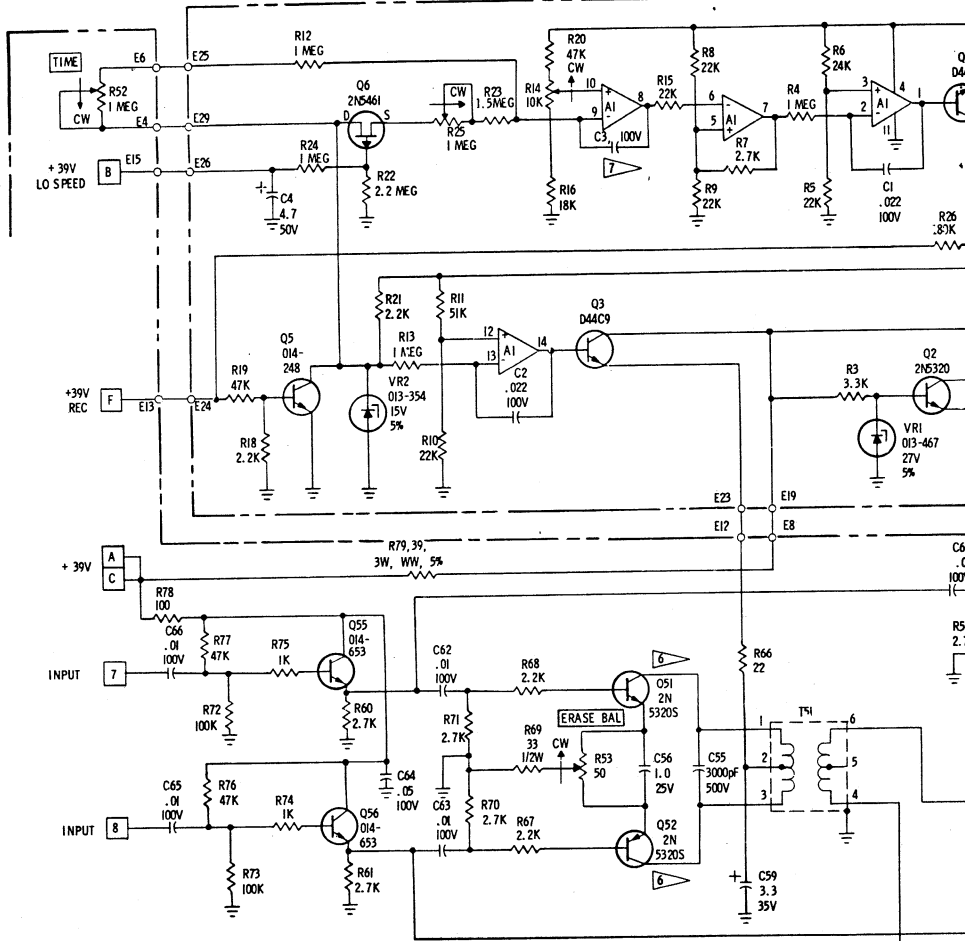


Schematic No. 4840428A.
Bias and Erase Amplifier



NOTES: UNLESS OTHERWISE SPECIFIED.

- 1 ALL RESISTORS ARE IN OHMS, 1/4W, 5%
- 2 ALL CAPACITORS ARE IN MICROFARADS.
- 3 INTEGRATED CIRCUIT (A1) IS TYPE LM324N.
- 4 ALL ZENER DIODES ARE 400 MW, ±5%.
- 5 TRANSISTORS Q4 AND Q5 ARE 014-248. FOR FIELD SERVICE SUBSTITUTE 2N2222A.

▲ SELECTED 2N5320 (the WITHIN 73 TO 110).

▼ C3 : 3.75 - 7.5 IPS = .068
 7.5 - 15 IPS = .047
 15 - 30 IPS = .022

REF. DESIGNATIONS:

- 1 C1 - C39, CR1-CR39, RI-R39, VRI-VR39, Q1-Q39 ARE LOCATED ON SMALL PWB ASSY 4050848.
- 2 C41, R41, R42 ARE MOUNTED ON THE BRACKET.
- 3 C51 AND UP, R51, L51, Q51 AND UP ARE LOCATED ON MAIN PWB ASSY 4050850.
- 4 PWA NO. 15 - 733848-02 REV. A.